

US00D792584S

(12) **United States Design Patent** (10) **Patent No.:** **US D792,584 S**
Ingram et al. (45) **Date of Patent:** **** Jul. 18, 2017**

(54) **MALE ENTERAL COUPLING**
(71) Applicant: **NEOMED, INC.**, Woodstock, GA (US)
(72) Inventors: **Aaron N. Ingram**, Canton, GA (US);
Benjamin Martin Davis, Woodstock,
GA (US); **Mark M. Costello**, Co.
Mayo (IE); **Tony Doherty**, Co. Mayo
(IE); **John Burke**, County Roscommon
(IE)

5,951,519 A 9/1999 Utterberg
6,270,519 B1 8/2001 Botts
D463,546 S * 9/2002 Jansen D24/110
(Continued)

FOREIGN PATENT DOCUMENTS

EP 2269685 A2 1/2011
EP 2583715 A1 4/2013
(Continued)

(73) Assignee: **NEOMED, INC.**, Woodstock, GA (US)
(**) Term: **14 Years**

OTHER PUBLICATIONS

ISO 80369-3, Small Bore Enteral Connector Standards; 3 pgs; Jul.
21, 2014.
(Continued)

(21) Appl. No.: **29/501,736**
(22) Filed: **Sep. 8, 2014**
(51) **LOC (10) Cl.** **24-01**
(52) **U.S. Cl.**
USPC **D24/127**

Primary Examiner — David Muller
Assistant Examiner — Nathan Johnston
(74) *Attorney, Agent, or Firm* — Gardner Groff
Greenwald & Villanueva, PC

(58) **Field of Classification Search**
USPC D24/112-114, 127-131, 133, 186;
606/181, 185; 604/264, 272, 115, 232,
604/187, 158, 164.08, 192, 263, 163, 181,
604/184, 198, 227; 600/101, 139, 143;
128/200.24, 207.14, 207.15
CPC . A61B 5/1411; A61B 5/15146; A61B 5/1427;
A61B 5/15186; A61B 5/14532
See application file for complete search history.

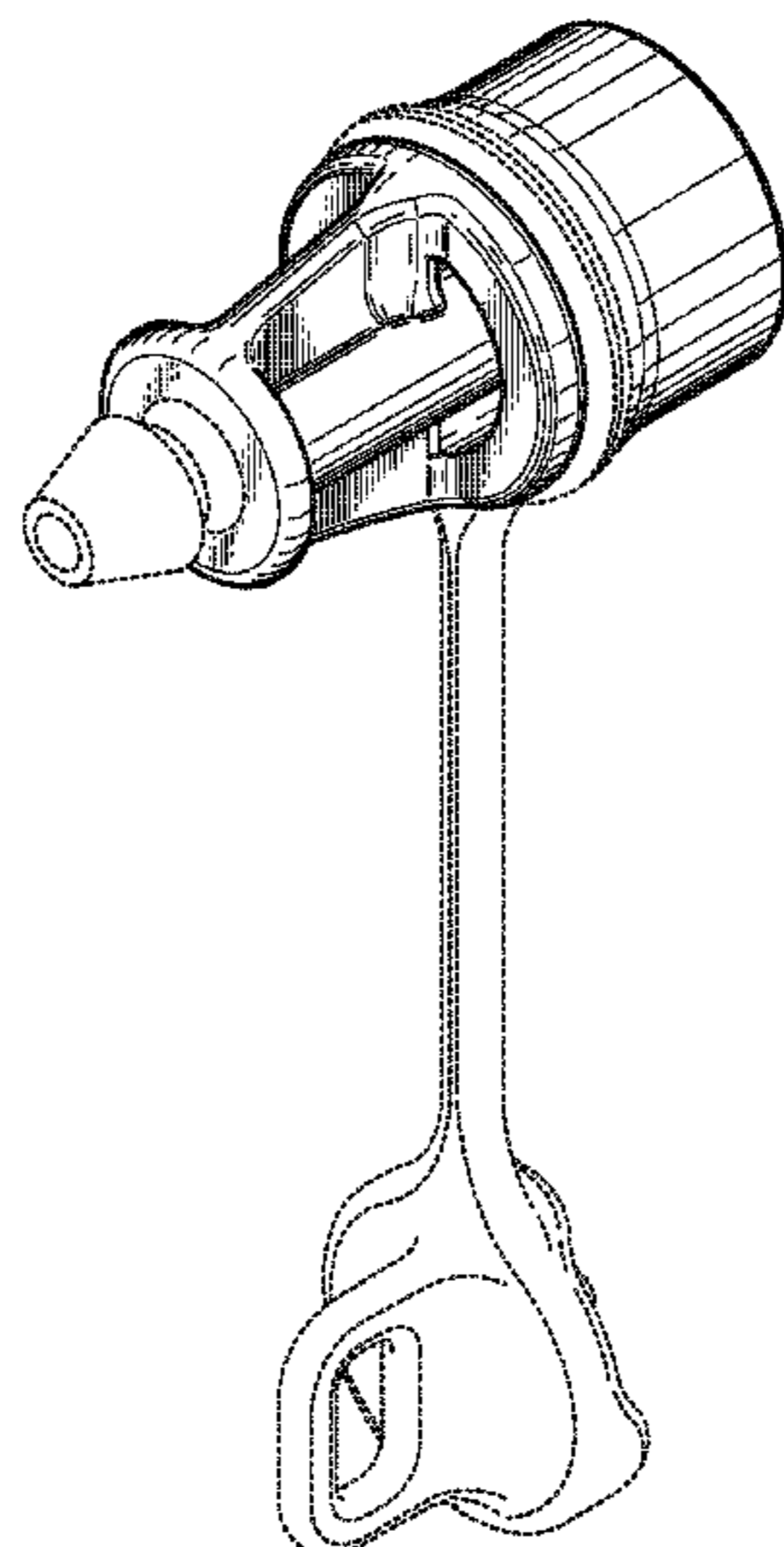
(57) **CLAIM**
The ornamental design for a male enteral coupling, as shown
and described.

DESCRIPTION

FIG. 1 is a perspective view of a male enteral coupling
according to our new design.
FIG. 2 is a second perspective view thereof.
FIG. 3 is a first side elevation view thereof.
FIG. 4 is a second side elevation view thereof.
FIG. 5 is a first end view thereof.
FIG. 6 is a second end view thereof.
FIG. 7 is a top plan view thereof; and,
FIG. 8 is a bottom plan view thereof.
The broken line showing of male enteral coupling is
included for the purpose of illustrating portions of the
“article” and forms no part of the claimed design.

(56) **References Cited**
U.S. PATENT DOCUMENTS
3,572,337 A 3/1971 Schunk
4,237,935 A 12/1980 Delmonte et al.
4,416,273 A 11/1983 Grimes
4,904,238 A * 2/1990 Williams A61M 1/0084
604/264
4,994,068 A * 2/1991 Hufnagle A61B 5/1411
606/181
5,385,372 A 1/1995 Utterberg
5,881,774 A 3/1999 Utterberg

1 Claim, 6 Drawing Sheets



(56)

References Cited

U.S. PATENT DOCUMENTS

6,447,480 B1 * 9/2002 Brunel A61M 5/28
604/110
D473,646 S * 4/2003 Baillargeon D24/129
7,077,829 B2 * 7/2006 McGuckin, Jr. A61M 1/285
604/164.09
7,628,782 B2 12/2009 Adair et al.
7,658,734 B2 2/2010 Adair et al.
7,988,683 B2 8/2011 Adair et al.
8,016,795 B2 9/2011 Barrelle et al.
D665,497 S * 8/2012 Marshall D24/130
8,333,693 B2 12/2012 Hamazaki
8,506,549 B2 8/2013 Breuer-Thal et al.
D736,906 S * 8/2015 Schultz D24/108
D737,436 S * 8/2015 Lev D24/129
9,308,362 B2 4/2016 Mansour et al.
2002/0173748 A1 11/2002 McConnell et al.
2004/0238776 A1 12/2004 Peters et al.
2005/0038392 A1 * 2/2005 DeSalvo A61M 5/3243
604/198
2005/0107816 A1 * 5/2005 Pingleton A61B 17/3417
606/185
2005/0124935 A1 6/2005 McMichael
2008/0128646 A1 6/2008 Clawson
2008/0183153 A1 7/2008 Enns
2010/0292673 A1 11/2010 Korogi et al.
2011/0240162 A1 10/2011 Zeyfang
2012/0277685 A1 * 11/2012 Limaye A61M 5/3243
604/192

2012/0323221 A1 * 12/2012 Gallo A61M 3/0279
604/514
2013/0079730 A1 3/2013 Mosler et al.
2013/0103002 A1 4/2013 Fruenlund et al.
2015/0005716 A1 1/2015 Adair et al.
2016/0067471 A1 3/2016 Ingram et al.

FOREIGN PATENT DOCUMENTS

FR 2930428 A1 10/2009
GB 2453361 A 4/2009
WO 9200717 A1 1/1992

OTHER PUBLICATIONS

ENFit Female Connector; 1 pg; date unknown.
ENFit Male Connector; 1 pg; date unknown.
StayConnected2014 Informational Bracelet; 1 pg; date unknown.
<http://www.stayconnected2014.org/get-ready.html>; 1 pg; date unknown.
International Search Report & Written Opinion for PCT/US2016/023771; Jun. 227, 2016; 17 pgs.
International Search Report & Written Opinion for PCT/US2015/048382; Nov. 5, 2015; 11 pgs.
New ISO Tubing Connector Standards: A Follow-Up to the Sentinel Event Alert Webinar PowerPoint Presentation; www.jointcommission.org; 50 pgs; Dec. 3, 2014.
New Tube Feeding Connectors Webinar PowerPoint Presentation; www.oley.org; 24 pgs; Jun. 24, 2014.

* cited by examiner

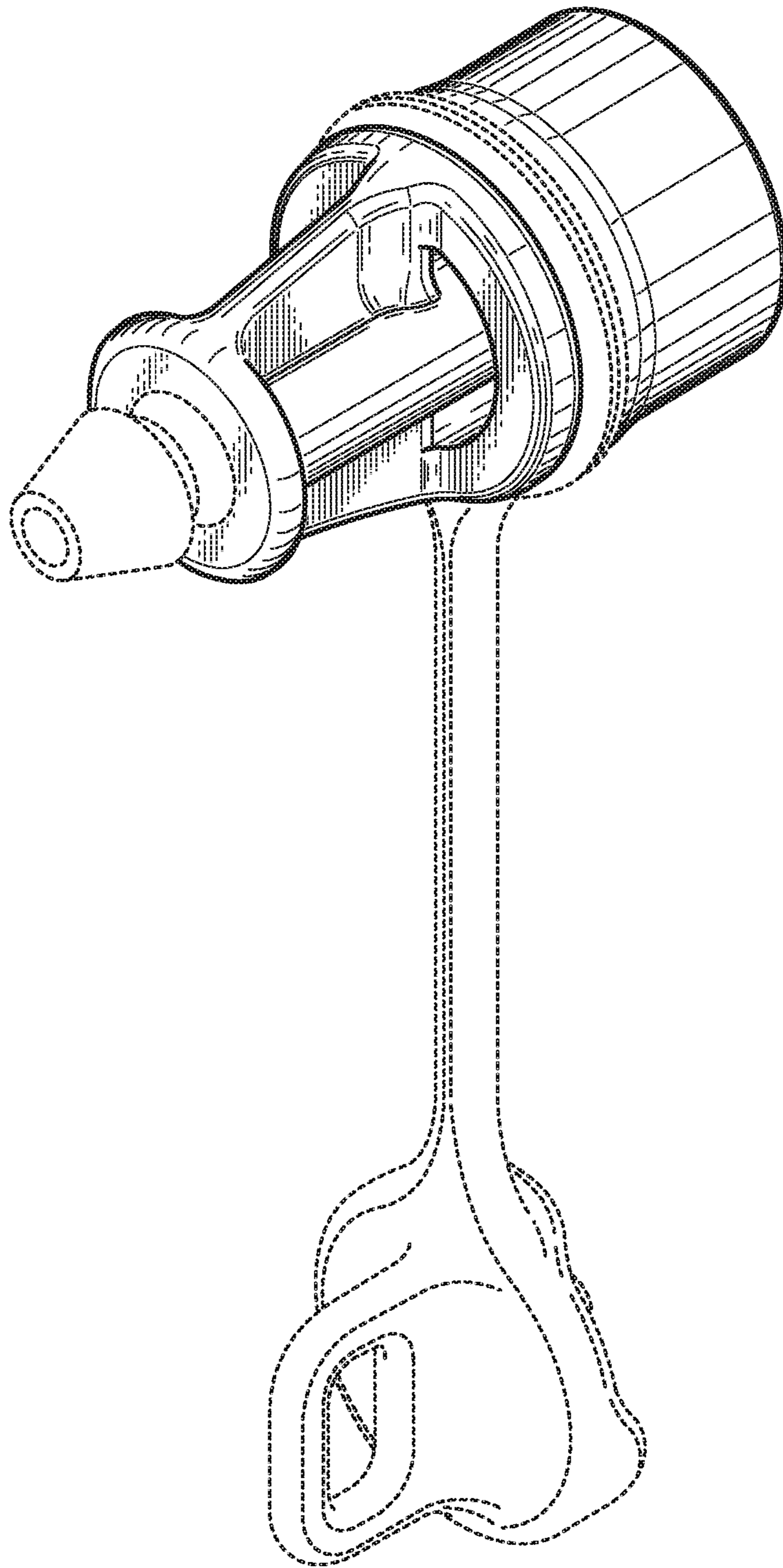


FIG. 1

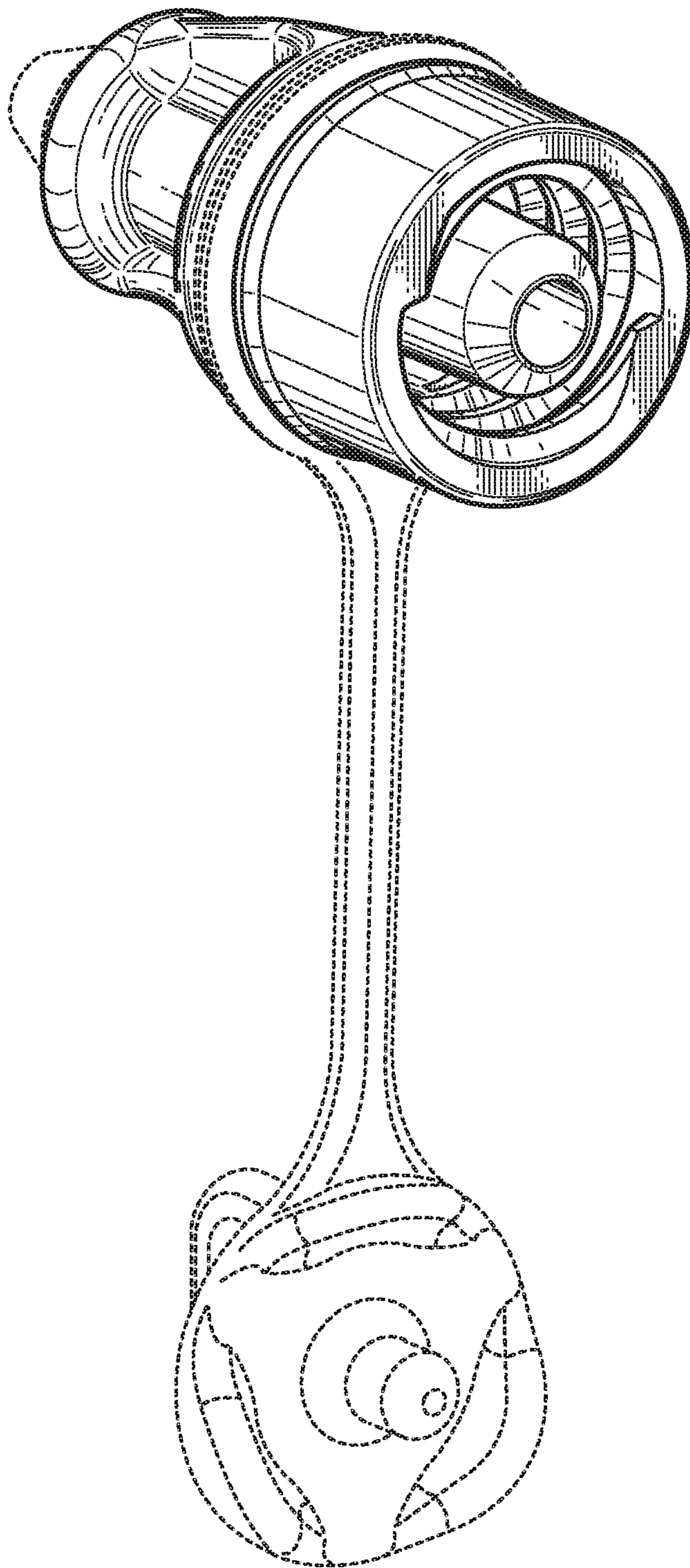


FIG. 2

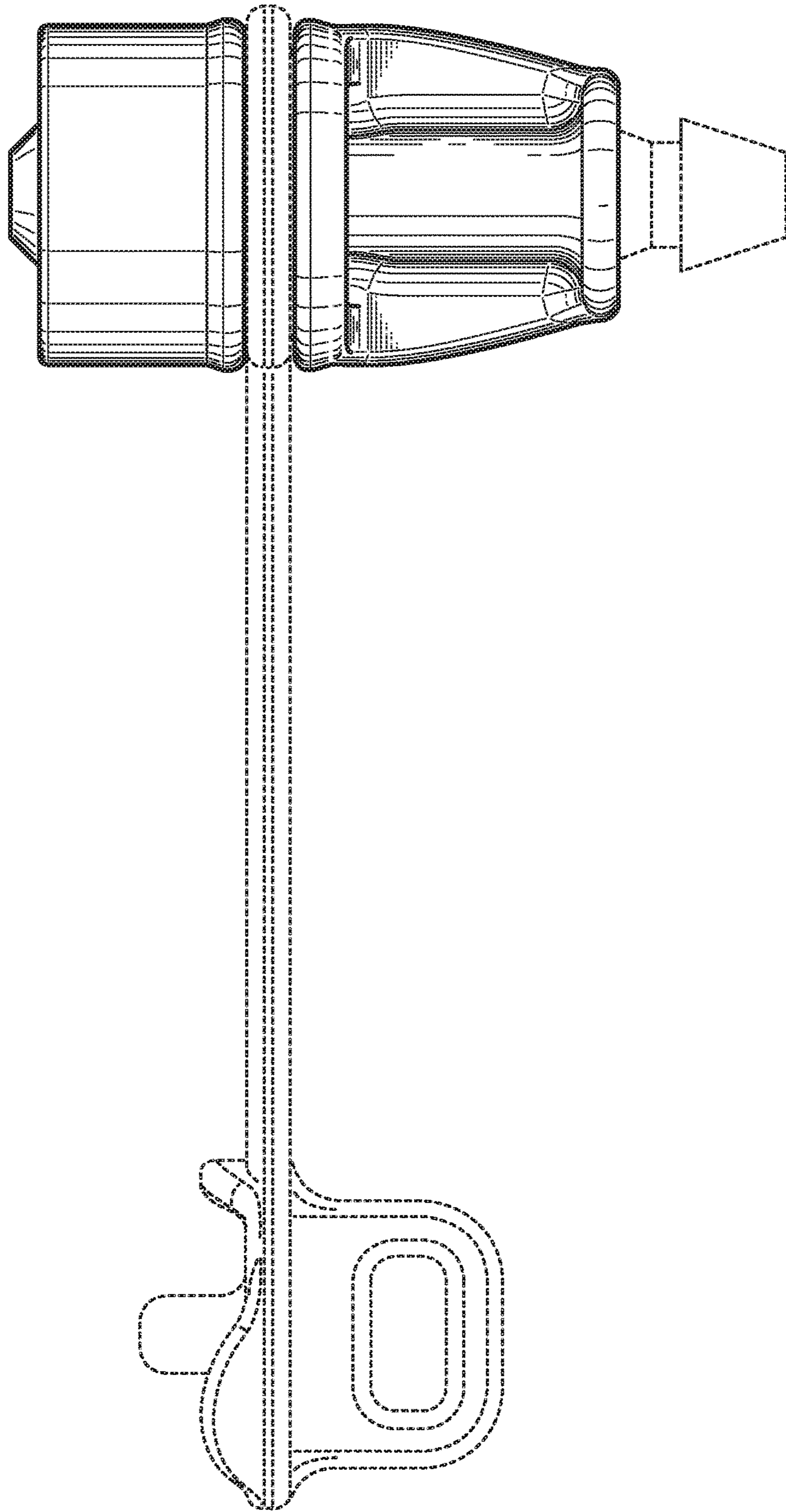


FIG. 3

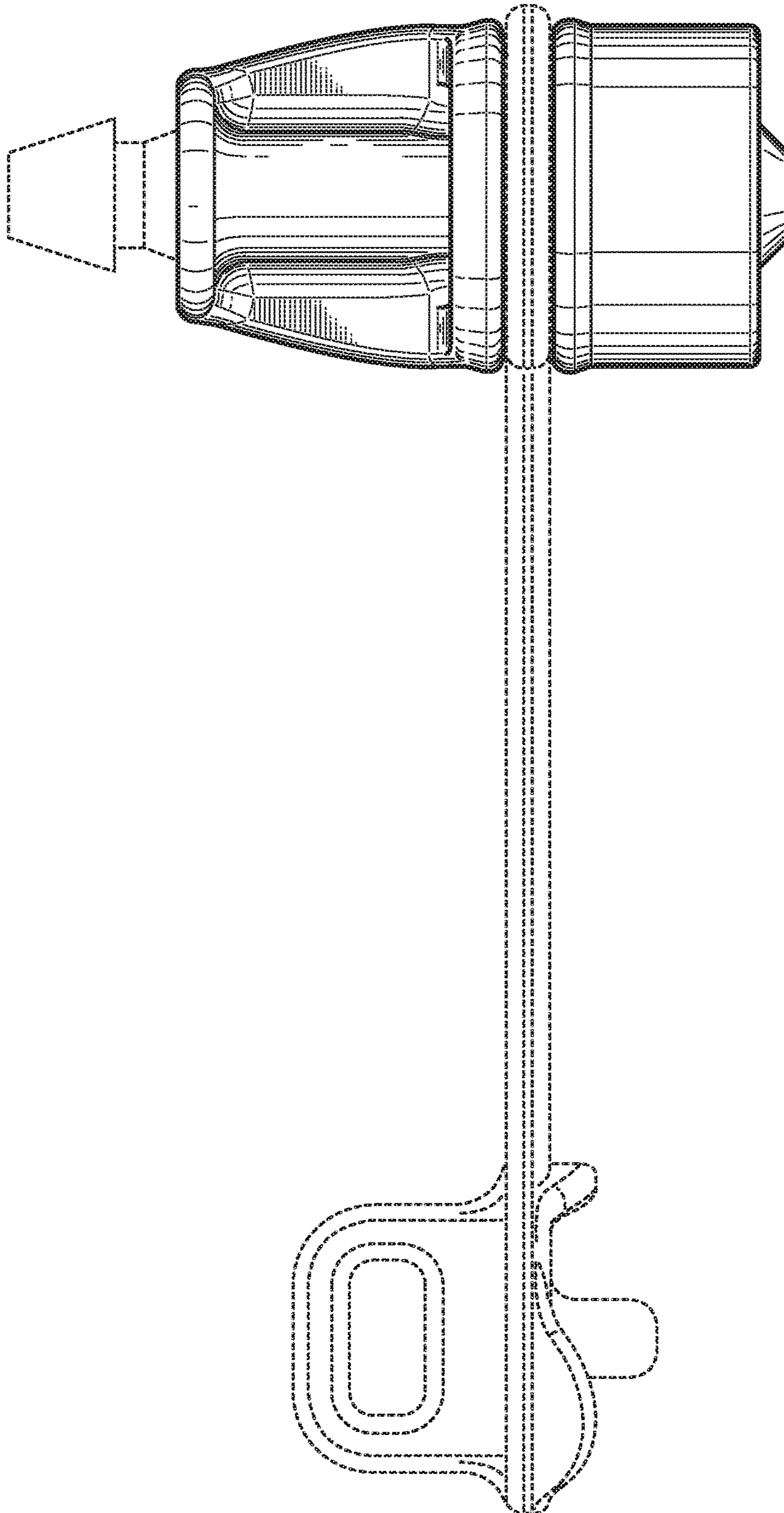


FIG. 4

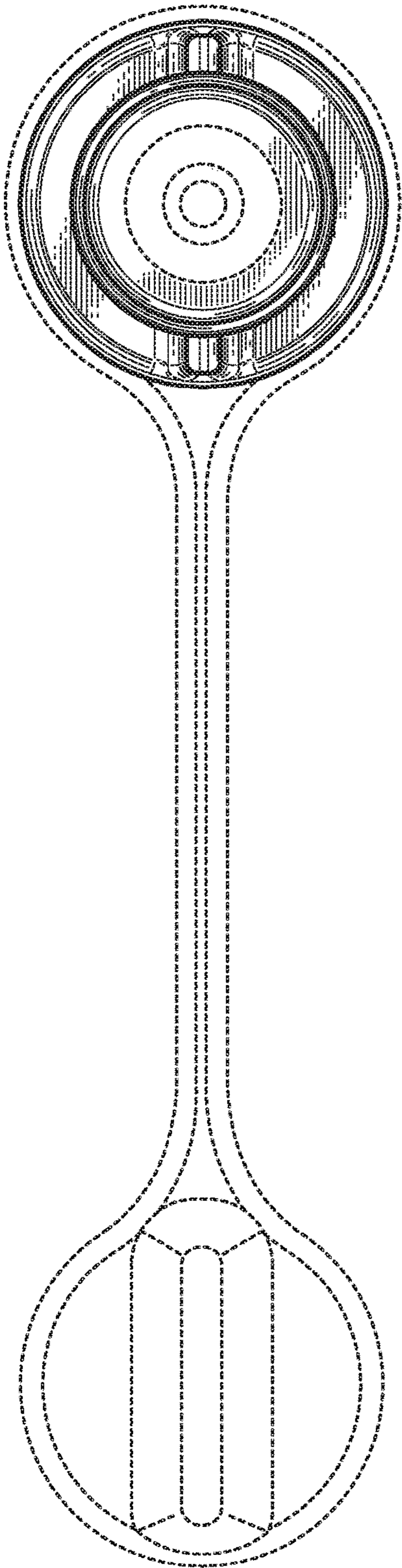


FIG. 5

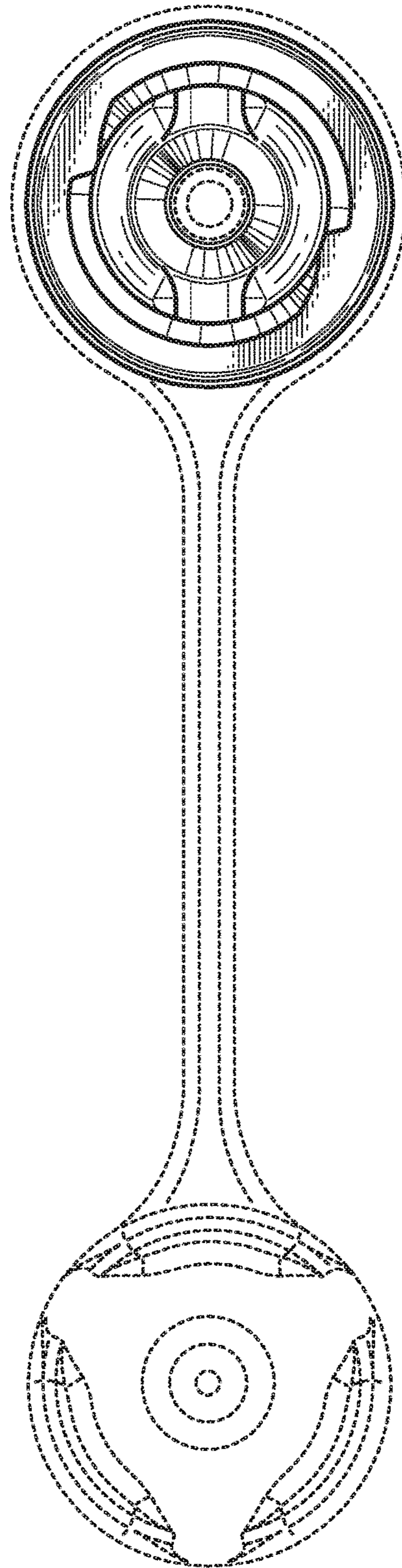


FIG. 6

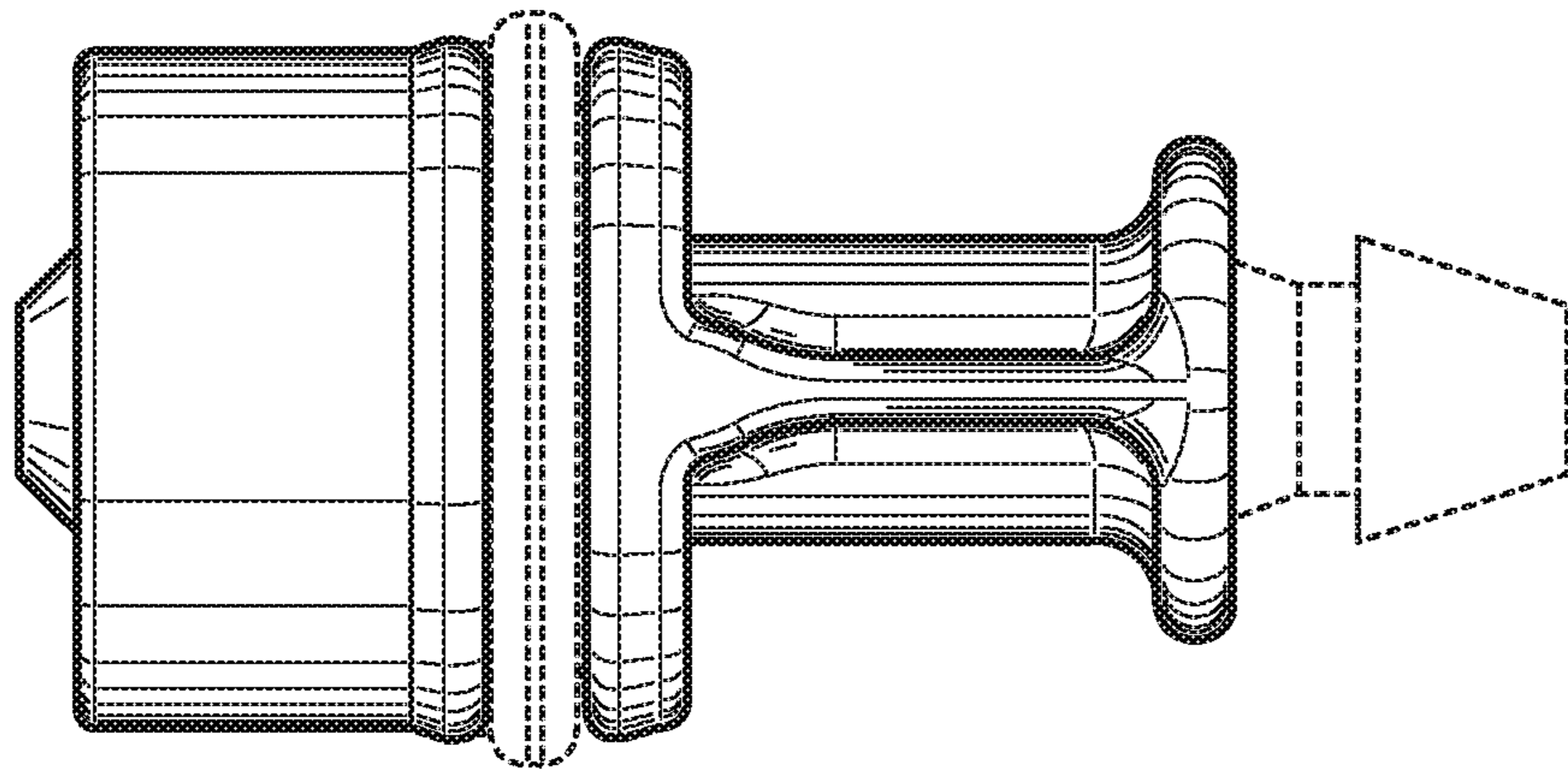


FIG. 7

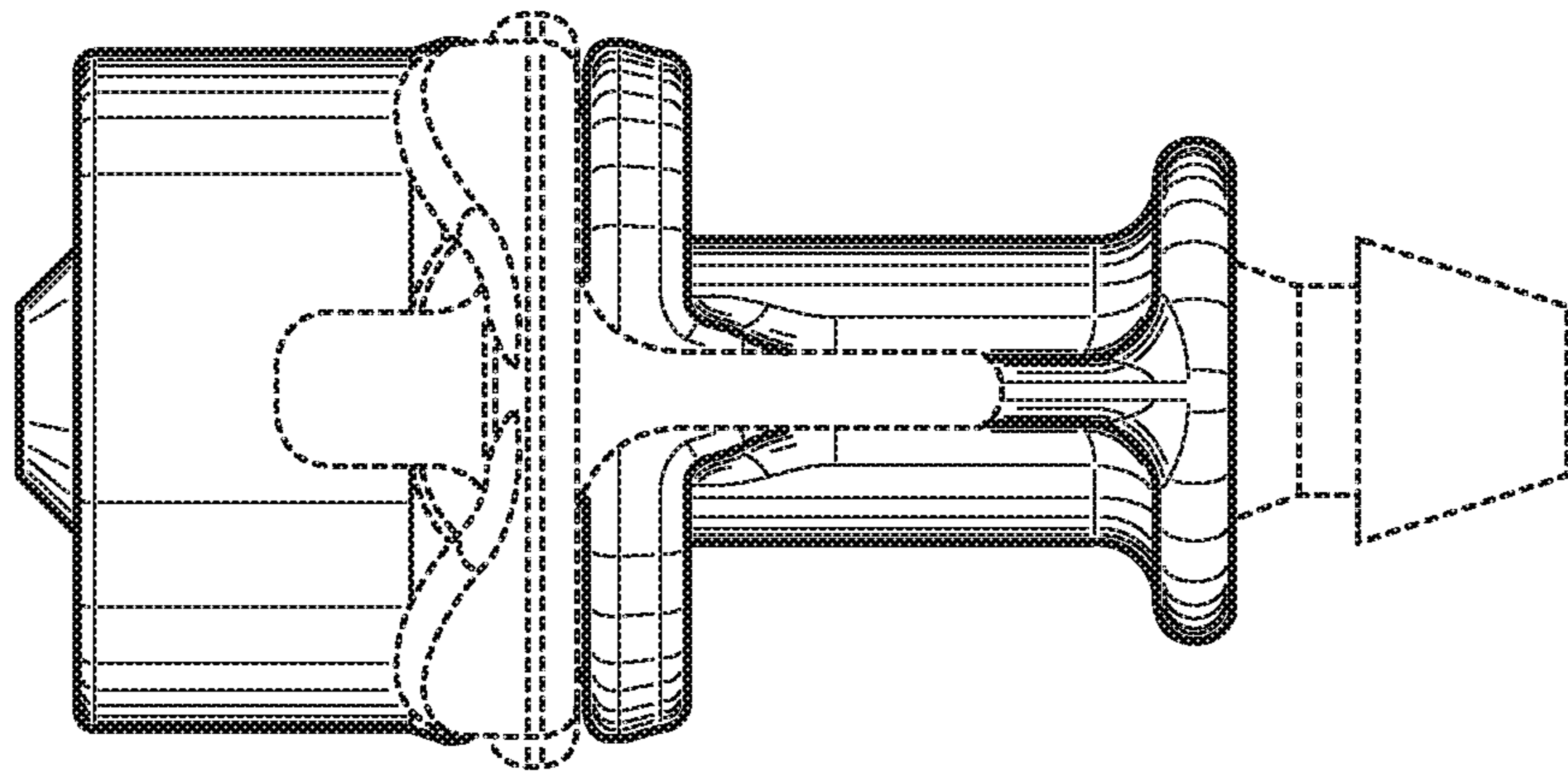


FIG. 8