



US00D792583S

(12) **United States Design Patent** (10) **Patent No.:** **US D792,583 S**  
**Walther et al.** (45) **Date of Patent:** **\*\* Jul. 18, 2017**

(54) **ABSORBENT ARTICLE SUBSTRATE WITH A PATTERN**

(71) Applicant: **The Procter & Gamble Company**, Cincinnati, OH (US)

(72) Inventors: **Rachael Eden Walther**, Union, KY (US); **Theodore Cory Fites**, Cincinnati, OH (US); **Jennifer Lynn Dusold**, Cincinnati, OH (US)

(73) Assignee: **The Procter & Gamble Company**, Cincinnati, OH (US)

(\*\*) Term: **15 Years**

(21) Appl. No.: **29/589,918**

(22) Filed: **Jan. 5, 2017**

**Related U.S. Application Data**

(62) Division of application No. 29/522,627, filed on Apr. 1, 2015, now Pat. No. Des. 779,657.

(51) **LOC (10) Cl.** ..... **24-04**

(52) **U.S. Cl.**  
USPC ..... **D24/126**

(58) **Field of Classification Search**  
USPC ..... D24/124–126; 604/347, 348, 354, 604/358–361, 378, 384, 385.01, 385.201, 604/385.22, 385.24, 385.25  
CPC ..... A61F 13/15; A61F 13/64; A61F 13/476; A61F 13/5633; A61F 13/4704; A61F 13/535; A61F 13/539; A61F 13/5611; A61F 13/47; A61F 13/531  
See application file for complete search history.

(56) **References Cited**

**U.S. PATENT DOCUMENTS**

D580,050 S 11/2008 Rinaldi  
D597,665 S 8/2009 Rinaldi et al.

D676,132 S 2/2013 Cutshaw  
D681,199 S 4/2013 Cutshaw et al.  
D686,318 S 7/2013 Mason  
D686,319 S 7/2013 Hawes  
D691,715 S 10/2013 Mason  
D695,895 S 12/2013 Mason  
D699,346 S 2/2014 McElroy et al.  
D721,804 S 1/2015 Cutshaw  
D761,418 S 7/2016 Mark  
D773,654 S \* 12/2016 Fites ..... D24/126  
D779,657 S \* 2/2017 Walther ..... D24/126  
D780,911 S \* 3/2017 Fites ..... D24/126  
2005/0217791 A1 10/2005 Costello et al.

\* cited by examiner

*Primary Examiner* — Garth Rademaker

*Assistant Examiner* — Samantha Q Lawrence

(74) *Attorney, Agent, or Firm* — Andrew J. Hagerty

(57) **CLAIM**

The ornamental design for an absorbent article substrate with a pattern, as shown and described.

**DESCRIPTION**

FIG. 1 is a front view of an absorbent article substrate with a pattern;

FIG. 2 is a rear view thereof;

FIG. 3 is a top end view thereof;

FIG. 4 is a left side view thereof;

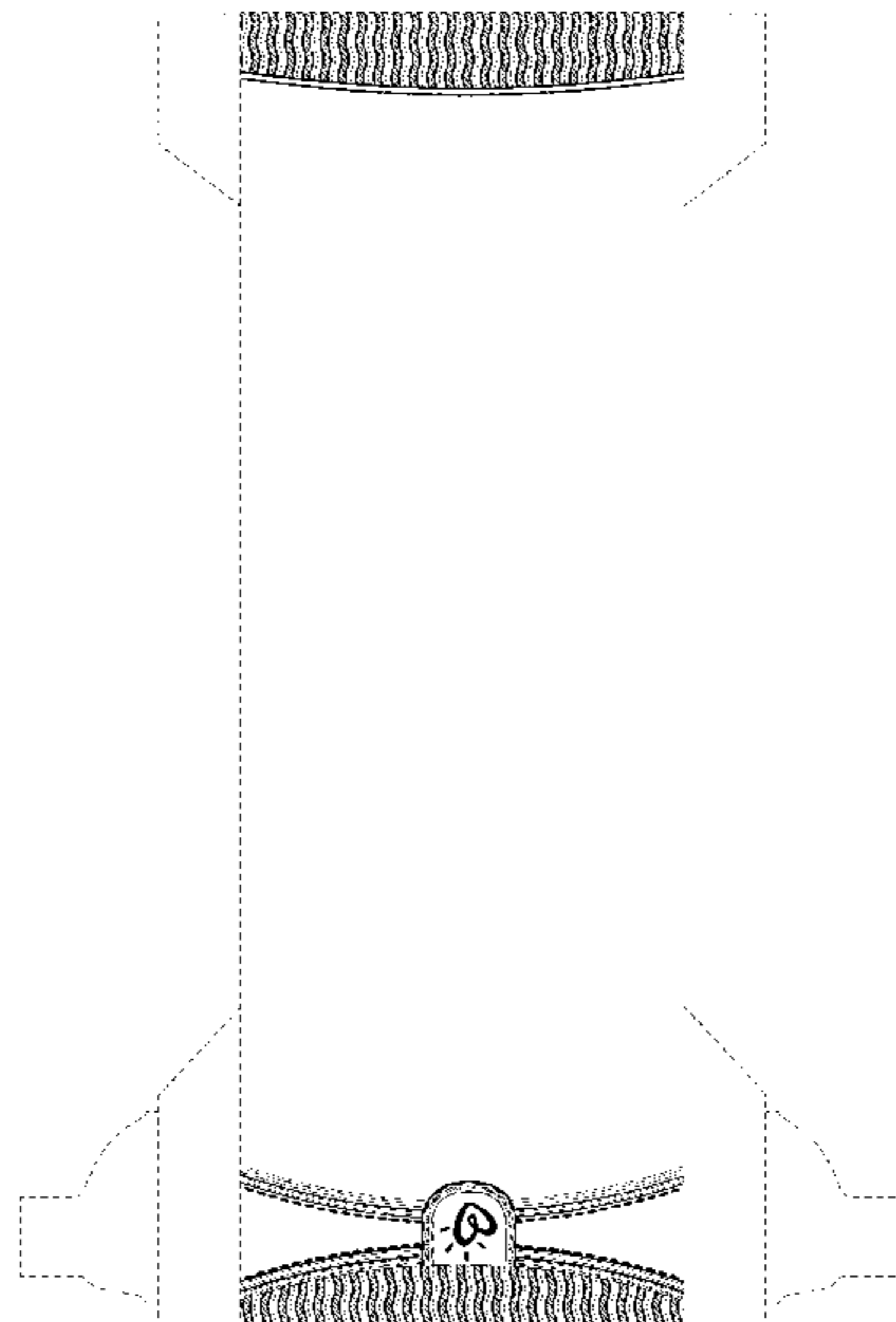
FIG. 5 is a right side view thereof; and,

FIG. 6 is a bottom end view thereof.

The broken lines, including those showing a diaper and diaper tabs and ears thereof, are included for the purpose of illustrating environment and form no part of the claimed design.

The broken lines on the absorbent article itself with the appearance of stitching form a part of the claimed design.

**1 Claim, 3 Drawing Sheets**



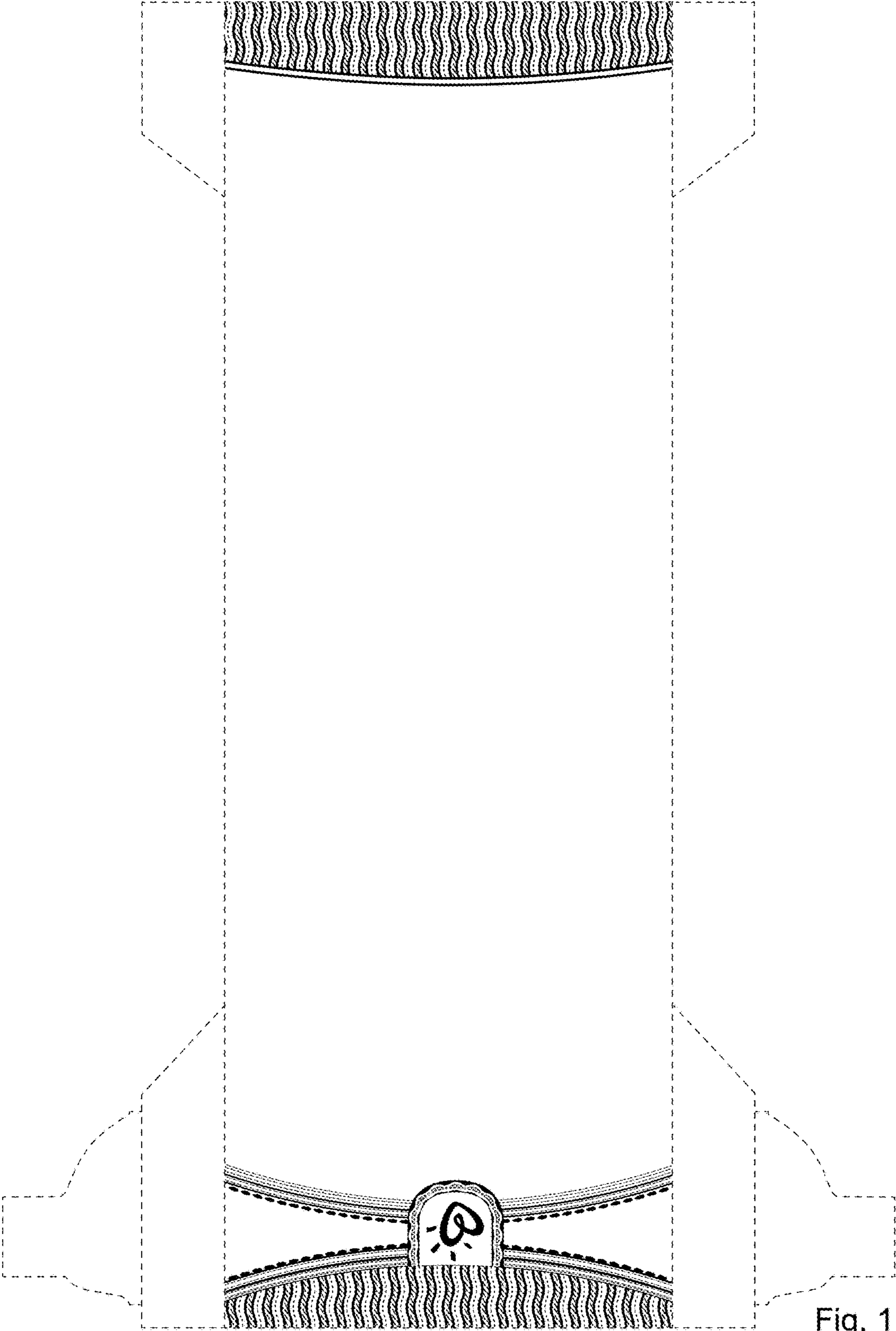


Fig. 1

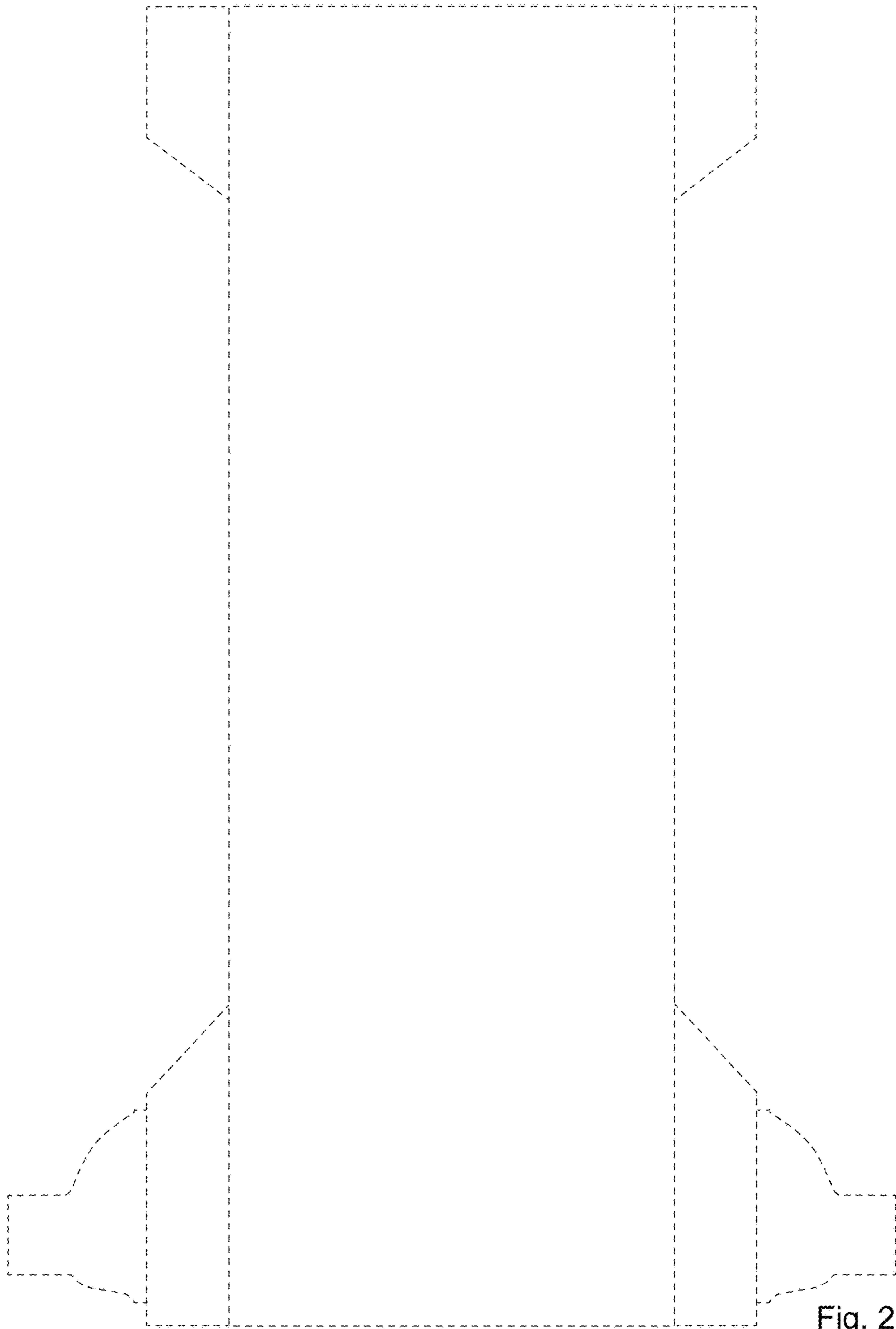
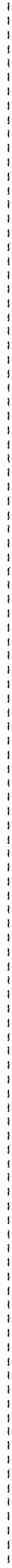


Fig. 2

Fig. 3



**Fig. 4**



**Fig. 5**



**Fig. 6**