



US00D792582S

(12) **United States Design Patent** (10) **Patent No.:** **US D792,582 S**
Fites et al. (45) **Date of Patent:** **** Jul. 18, 2017**

(54) **ABSORBENT ARTICLE SUBSTRATE WITH A PATTERN**

(56) **References Cited**

U.S. PATENT DOCUMENTS

(71) Applicant: **The Procter & Gamble Company**, Cincinnati, OH (US)

D578,213 S *	10/2008	Rinaldi	D24/126
D578,641 S *	10/2008	Rinaldi	D24/126
D580,050 S *	11/2008	Rinaldi	D24/126
D597,665 S *	8/2009	Rinaldi	D24/126
D686,319 S	7/2013	Hawes et al.		
D691,715 S *	10/2013	Mason	D24/126
D699,346 S *	2/2014	McElroy	D24/126
D721,804 S *	1/2015	Cutshaw	D24/126
D756,670 S *	5/2016	Bicking	D24/124
2005/0217791 A1	10/2005	Costello et al.		

(72) Inventors: **Theodore Cory Fites**, Cincinnati, OH (US); **Rachael Eden Walther**, Union, KY (US); **Jennifer Lynn Dusold**, Cincinnati, OH (US)

(73) Assignee: **The Procter & Gamble Company**, Cincinnati, OH (US)

* cited by examiner

(**) Term: **15 Years**

Primary Examiner — Garth Rademaker

Assistant Examiner — Samantha Q Lawrence

(21) Appl. No.: **29/581,615**

(74) *Attorney, Agent, or Firm* — Andrew J. Hagerty

(22) Filed: **Oct. 20, 2016**

(57) **CLAIM**

The ornamental design for an absorbent article substrate with a pattern, as shown and described.

Related U.S. Application Data

DESCRIPTION

(62) Division of application No. 29/522,628, filed on Apr. 1, 2015.

FIG. 1 is a front view of an absorbent article substrate with a pattern;

(51) **LOC (10) Cl.** **24-04**

FIG. 2 is a rear view thereof;

(52) **U.S. Cl.**

FIG. 3 is a top end view thereof;

USPC **D24/126**

FIG. 4 is a left side view thereof;

(58) **Field of Classification Search**

FIG. 5 is a right side view thereof; and,

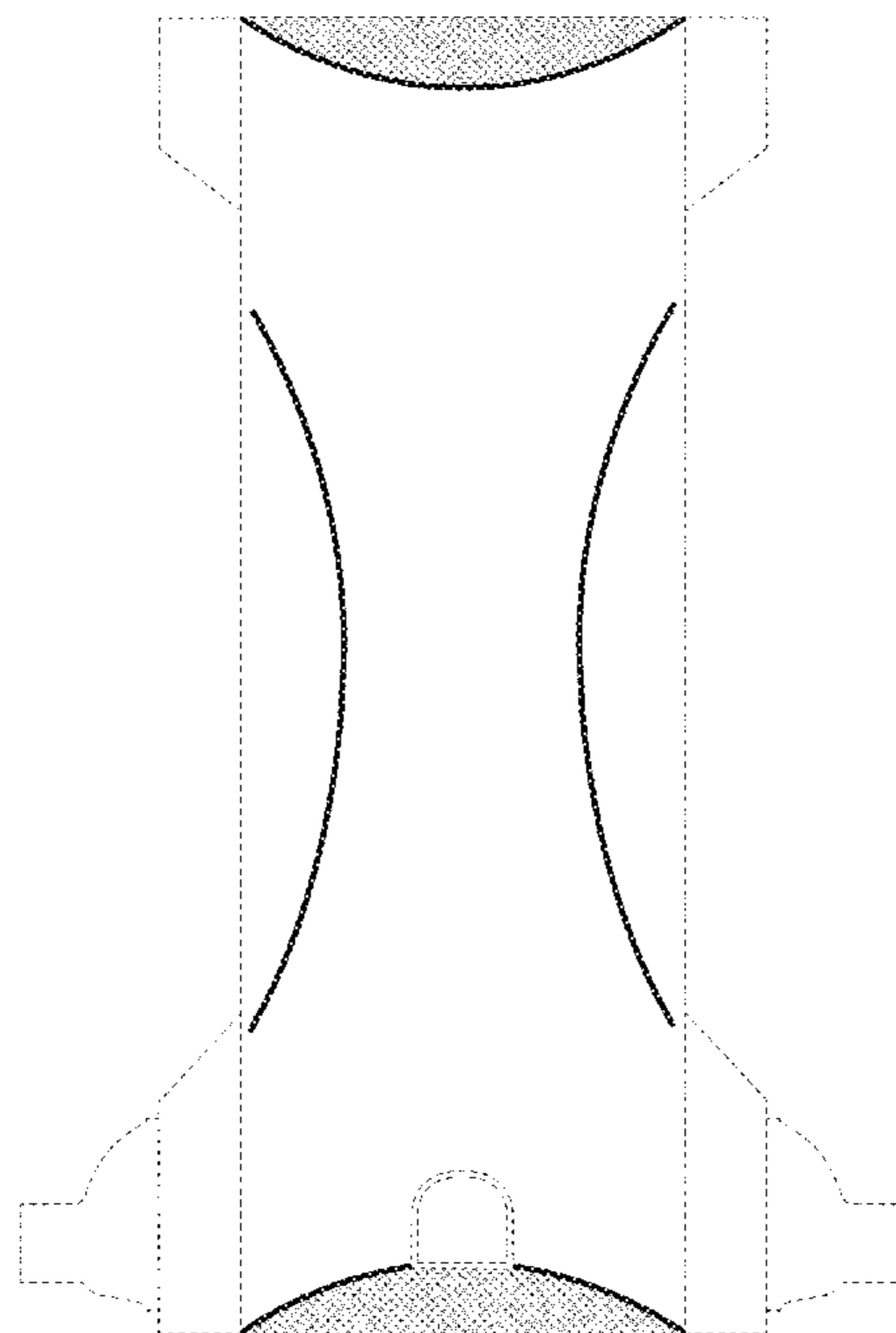
USPC D24/124–126; 604/347, 348, 358–361, 604/378, 385.01, 385.201, 385.22, 604/385.24, 385.25; D5/21, 25, 29, 35, D5/37, 39, 53, 59, 60, 61

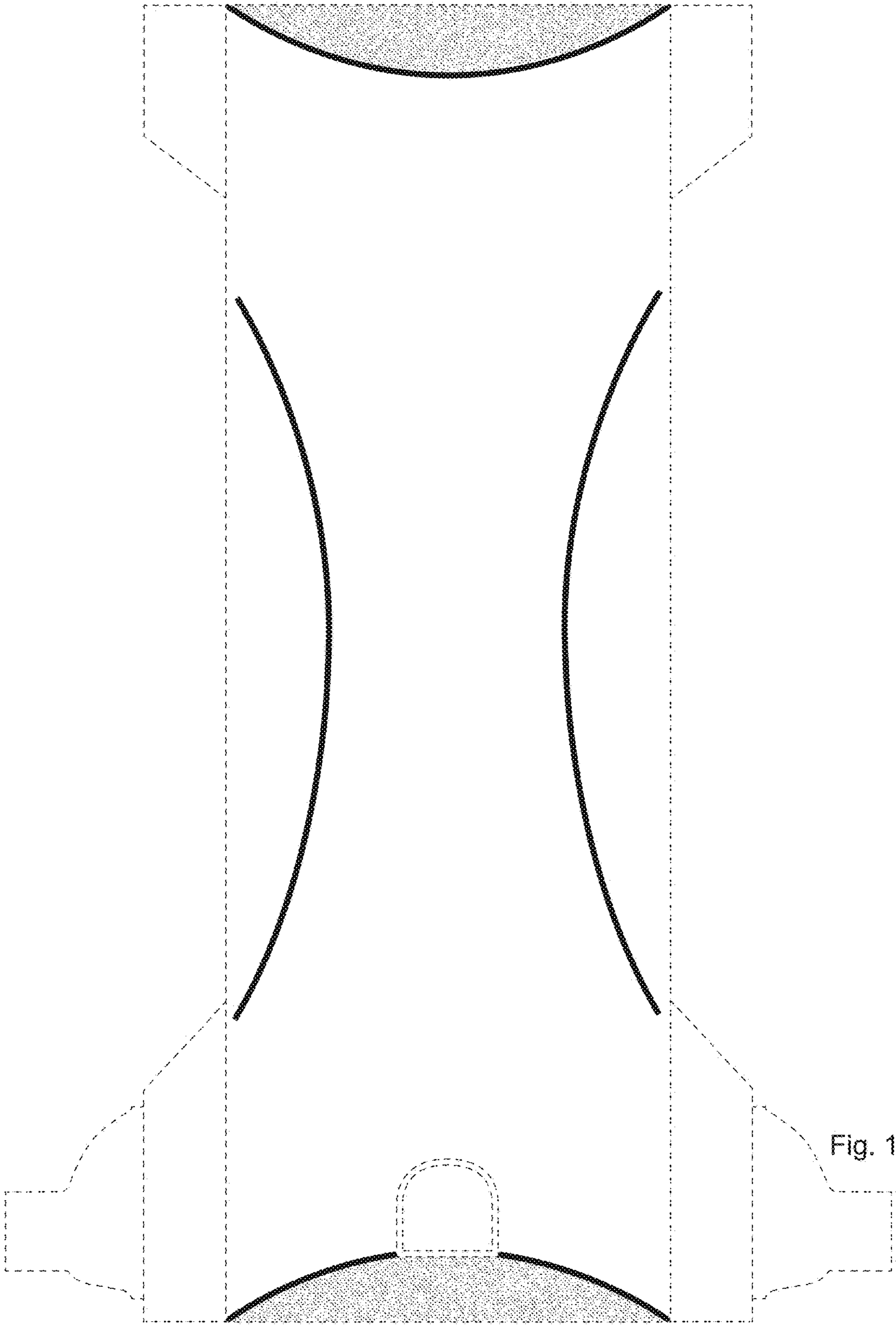
FIG. 6 is a bottom end view thereof.

See application file for complete search history.

The broken lines, including those showing a diaper and diaper tabs and ears thereof, are included for the purpose of illustrating environment and form no part of the claimed design.

1 Claim, 3 Drawing Sheets





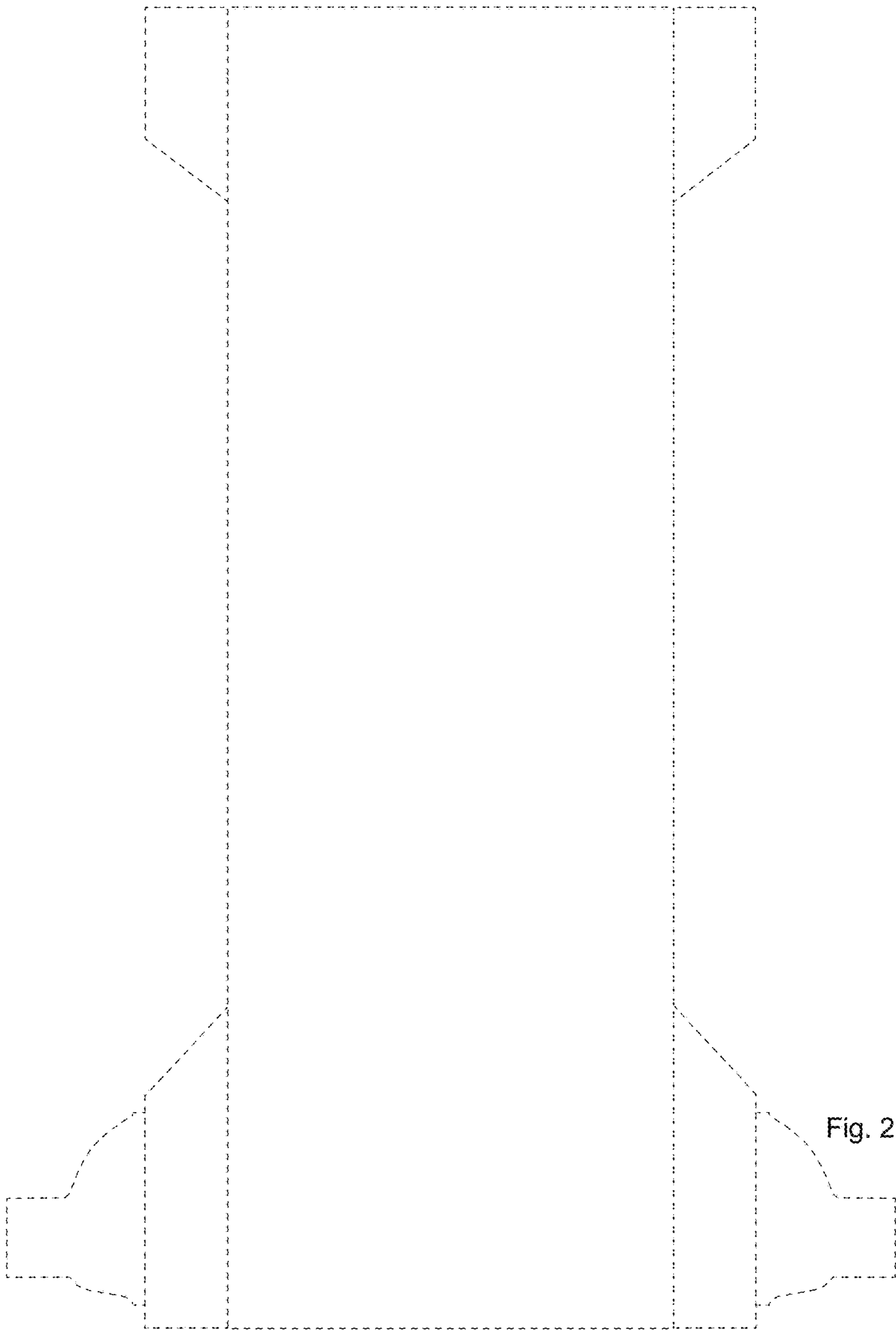


Fig. 2



Fig. 3

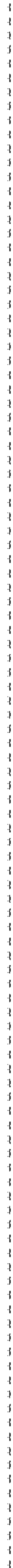


Fig. 4

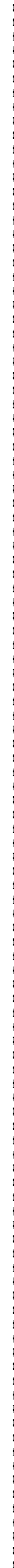


Fig. 5

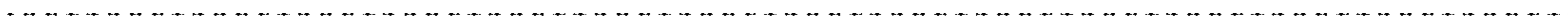


Fig. 6