



US00D792579S

(12) **United States Design Patent**  
**Ohashi et al.**

(10) **Patent No.:** **US D792,579 S**  
(45) **Date of Patent:** **\*\* Jul. 18, 2017**

(54) **INTRADERMAL INJECTION DEVICE**

(71) Applicant: **Terumo Kabushiki Kaisha**,  
Shibuya-ku, Tokyo (JP)

(72) Inventors: **Hiroataka Ohashi**, Tokyo (JP); **Junichi Ogawa**, Yamanashi (JP)

(73) Assignee: **Terumo Kabushiki Kaisha**,  
Shibuya-Ku, Tokyo (JP)

(\*\*) Term: **15 Years**

(21) Appl. No.: **29/532,680**

(22) Filed: **Jul. 9, 2015**

(30) **Foreign Application Priority Data**

Jan. 9, 2015 (JP) ..... 2015-000297

(51) **LOC (10) Cl.** ..... **24-02**

(52) **U.S. Cl.**  
USPC ..... **D24/114**

(58) **Field of Classification Search**

USPC ..... D24/112-114, 108, 133, 130, 127, 186;  
606/181, 185; 604/264, 272, 187, 181,  
604/184, 227

CPC ..... A61M 5/178; A61M 3/00; A61M 5/20;  
A61M 5/31; A61M 5/3146; A61M  
5/3129; A61M 5/3148; A61M 5/315

See application file for complete search history.

(56) **References Cited**

**U.S. PATENT DOCUMENTS**

D338,957 S \* 8/1993 de Faire ..... D24/112  
D401,324 S \* 11/1998 Hjertman ..... D24/114

D492,404 S \* 6/2004 Prais ..... D24/112  
D578,210 S \* 10/2008 Muta ..... D24/114  
D657,867 S \* 4/2012 Effenberger ..... D24/114  
D674,086 S \* 1/2013 Khalaj ..... D24/114  
D689,601 S \* 9/2013 Black ..... D24/108  
D695,892 S \* 12/2013 Cappello ..... D24/113  
D721,803 S \* 1/2015 Dubach ..... D24/114  
D729,931 S \* 5/2015 Takeuchi ..... D24/114  
D739,524 S \* 9/2015 Zemel ..... D24/114  
D743,025 S \* 11/2015 Berler ..... D24/114  
D755,955 S \* 5/2016 Kawamura ..... D24/112

\* cited by examiner

*Primary Examiner* — David Muller

(74) *Attorney, Agent, or Firm* — Banner & Witcoff, Ltd.

(57) **CLAIM**

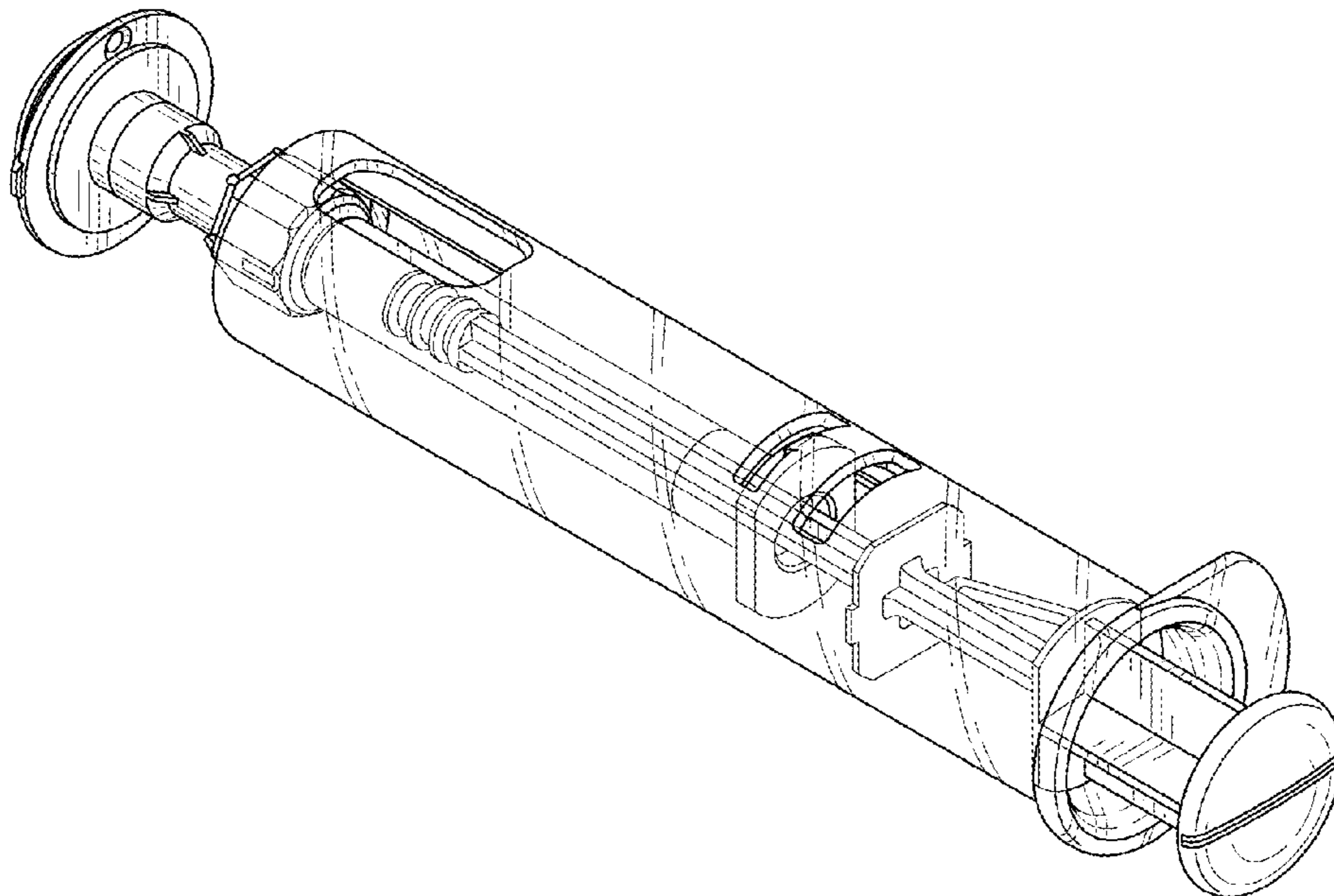
The ornamental design for the intradermal injection device, as shown and described.

**DESCRIPTION**

FIG. 1 is a perspective view of front, bottom and right side of the intradermal injection device showing our new design; FIG. 2 is a front elevation view thereof; FIG. 3 is a rear elevation view thereof; FIG. 4 is a left side elevation view thereof; FIG. 5 is a right side elevation view thereof; FIG. 6 is a top plan view thereof; FIG. 7 is a bottom plan view thereof; and, FIG. 8 is an explanatory view of the device in use.

The broken lines shown are included for the purpose of illustrating the unclaimed portions of the intradermal injection device and form no part of the claimed design.

**1 Claim, 5 Drawing Sheets**



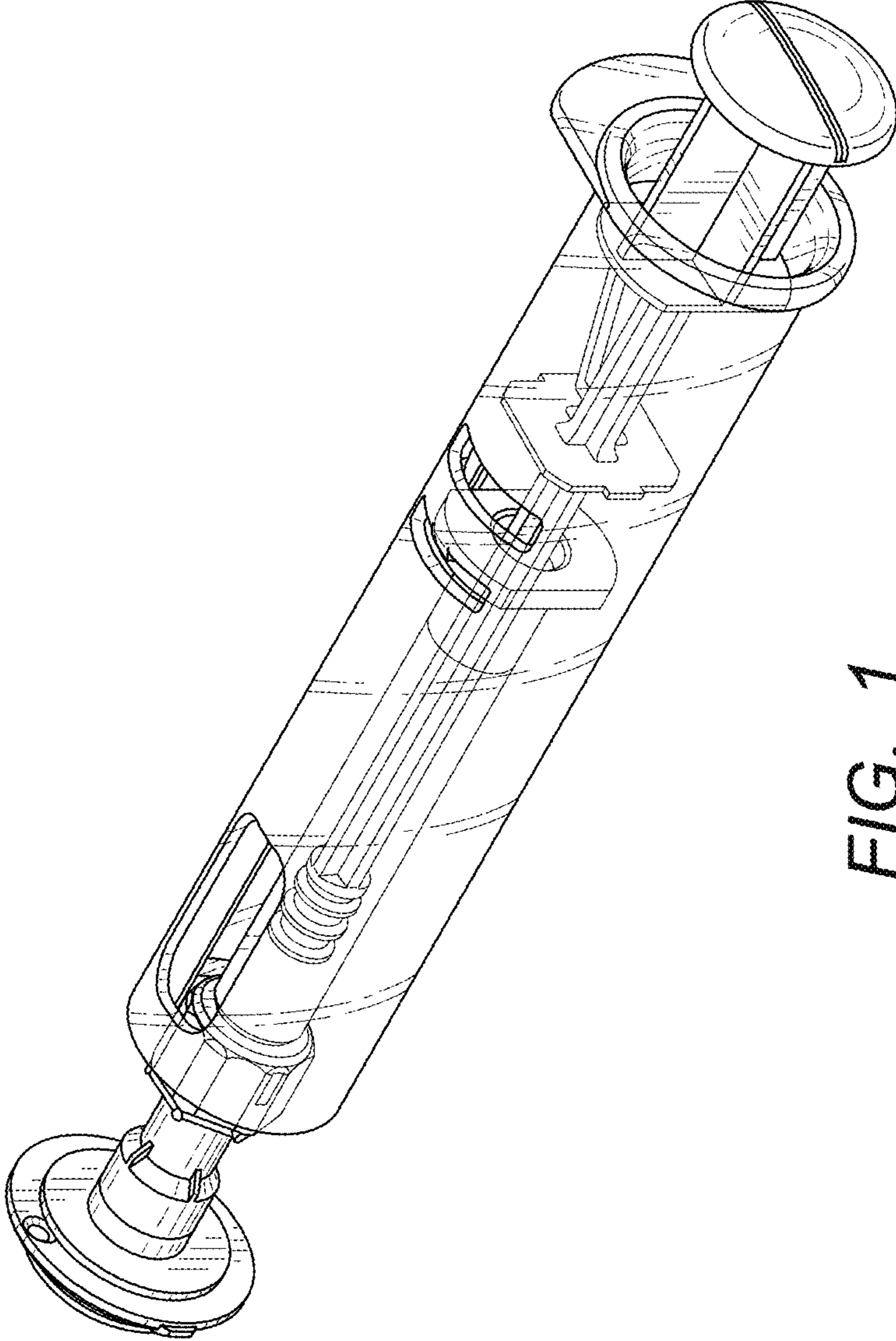


FIG. 1

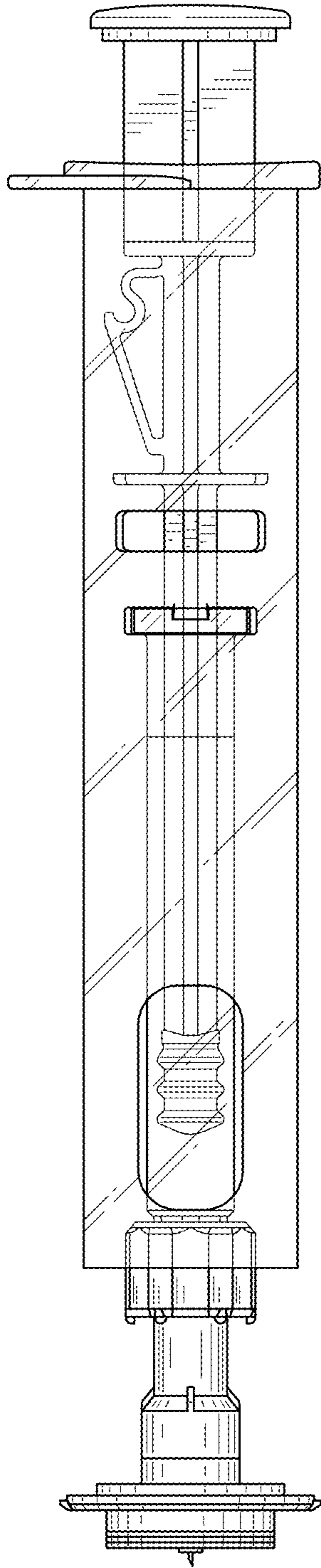


FIG. 2

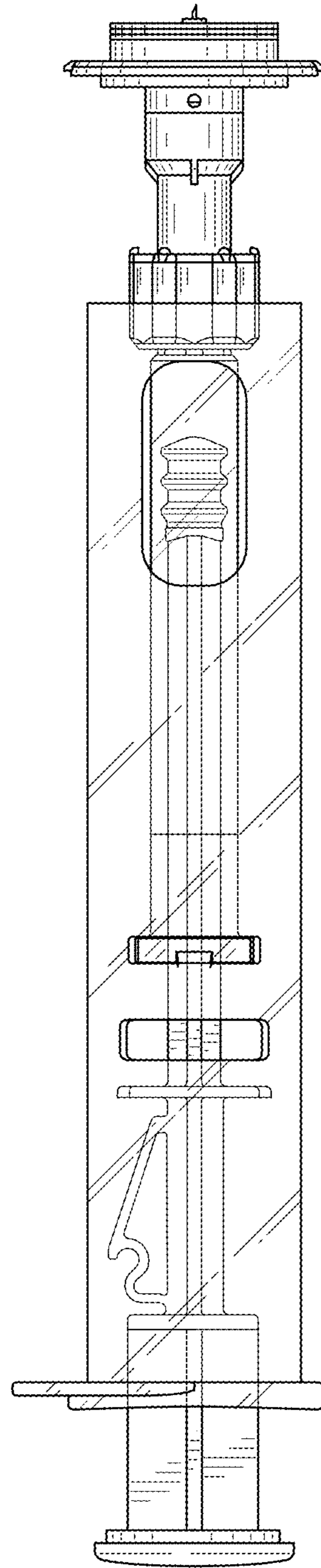


FIG. 3

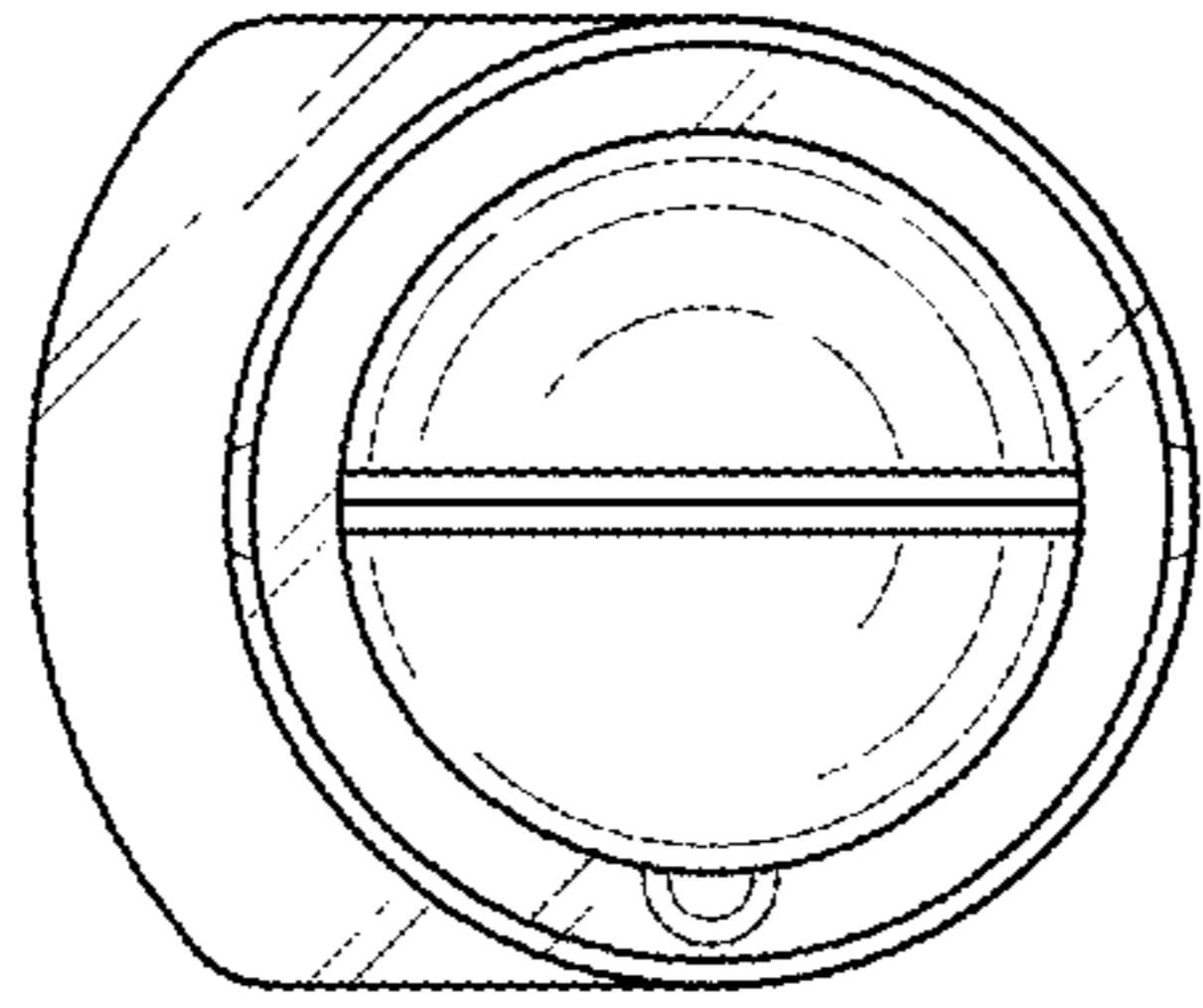


FIG. 5

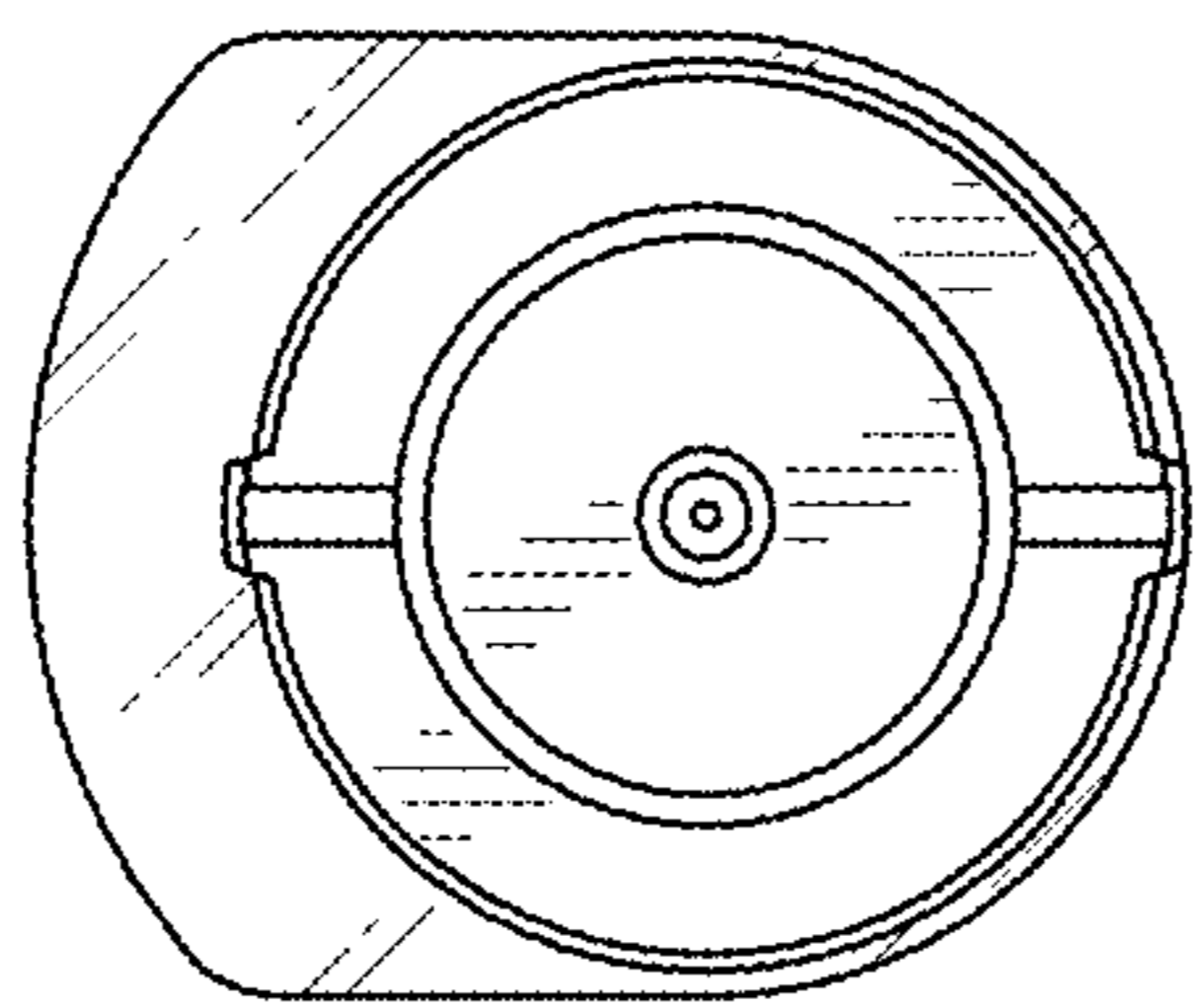


FIG. 4

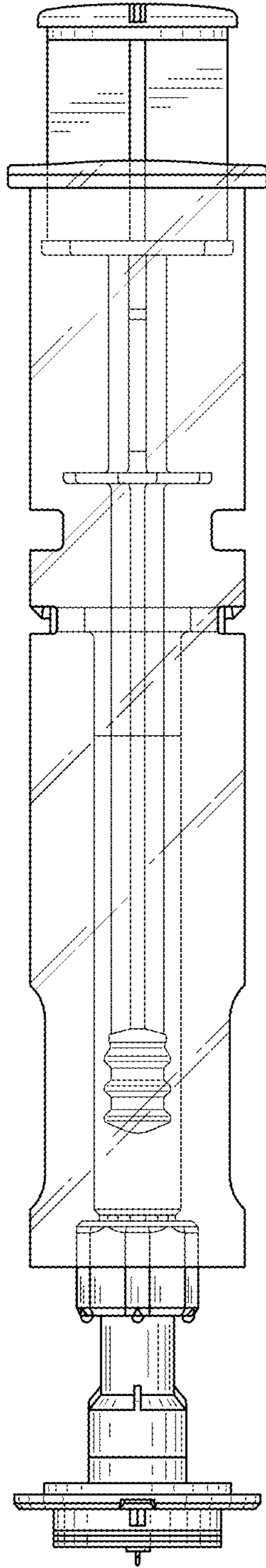


FIG. 6

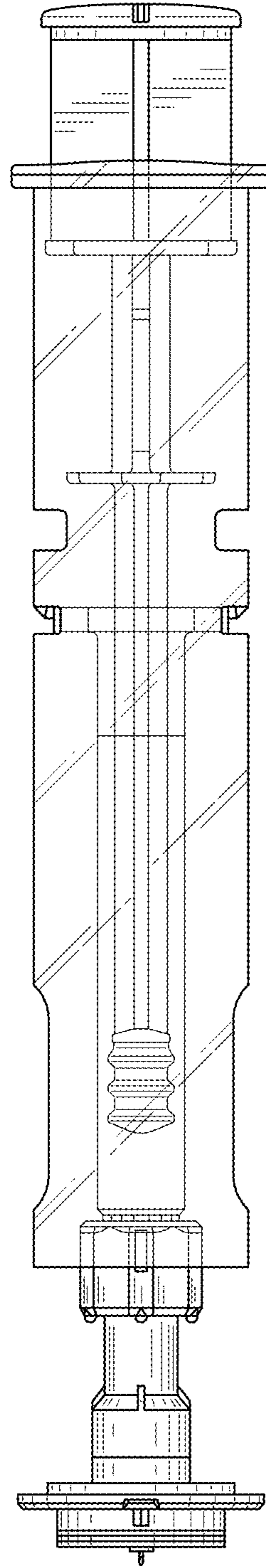


FIG. 7

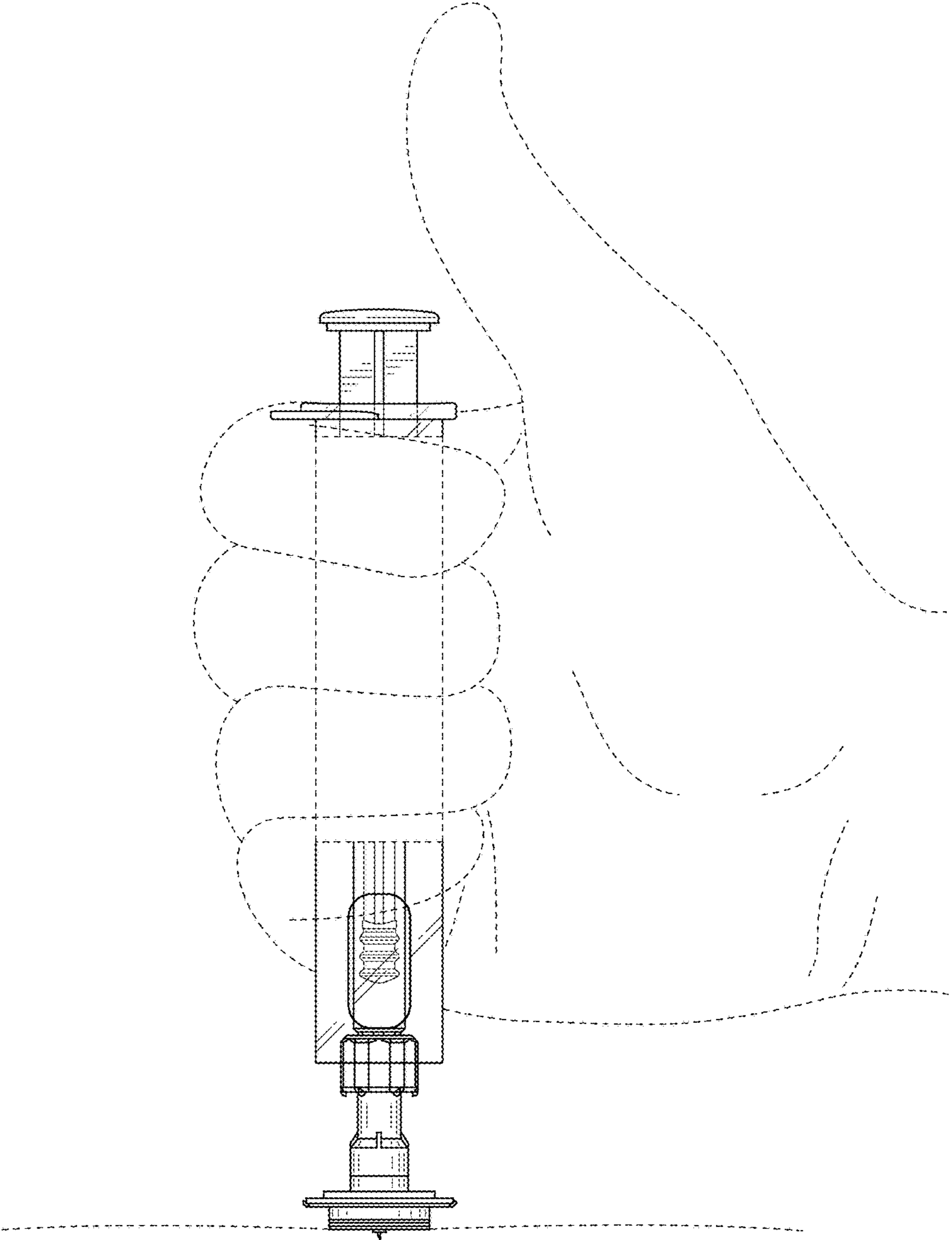


FIG. 8