



US00D792577S

(12) **United States Design Patent**
Gajewski

(10) **Patent No.:** **US D792,577 S**
(45) **Date of Patent:** **** Jul. 18, 2017**

- (54) **CEILING FAN BLADE IRON**
- (71) Applicant: **Minka Lighting, Inc.**, Corona, CA (US)
- (72) Inventor: **Mark Gajewski**, Avila Beach, CA (US)
- (73) Assignee: **Minka Lighting, Inc.**, Corona, CA (US)
- (**) Term: **15 Years**
- (21) Appl. No.: **29/552,860**
- (22) Filed: **Jan. 26, 2016**

3,989,226 A * 11/1976 Burgess E04H 17/1413
256/65.04
D251,108 S * 2/1979 Desilets D8/381
D260,717 S * 9/1981 Gusdorf D8/381
D295,430 S * 4/1988 Smith D21/442
D298,454 S 11/1988 Clyde-Mason
(Continued)

Primary Examiner — Susan Bennett Hattan
Assistant Examiner — Marie Fast Horse
(74) *Attorney, Agent, or Firm* — Baker & McKenzie LLP

(57) **CLAIM**

The ornamental design for a ceiling fan blade iron, as shown and described.

DESCRIPTION

FIG. 1 is a perspective view of a ceiling fan blade iron in accordance with my design, shown in use within its environment;
FIG. 2 is an enlarged perspective view of the ceiling fan blade iron in accordance with my design;
FIG. 3 is an enlarged top plan view of the ceiling fan blade iron in accordance with my design;
FIG. 4 is an enlarged bottom plan view of the ceiling fan blade iron in accordance with my design;
FIG. 5 is an enlarged front side elevation view of the ceiling fan blade iron in accordance with my design;
FIG. 6 is an enlarged rear side elevation view of the ceiling fan blade iron in accordance with my design;
FIG. 7 is an enlarged left-side elevation view of the ceiling fan blade iron in accordance with my design; and,
FIG. 8 is an enlarged right-side elevation view of the ceiling fan blade iron in accordance with my design.
The broken lines in FIG. 1 showing the ceiling fan depict environmental subject matter only and form no part of the claim; while, the broken lines showing the screws depict parts of the ceiling fan blade iron that form no part of the claim. The unshaded surfaces in between the solid line and the broken line depictions are not claimed.

Related U.S. Application Data

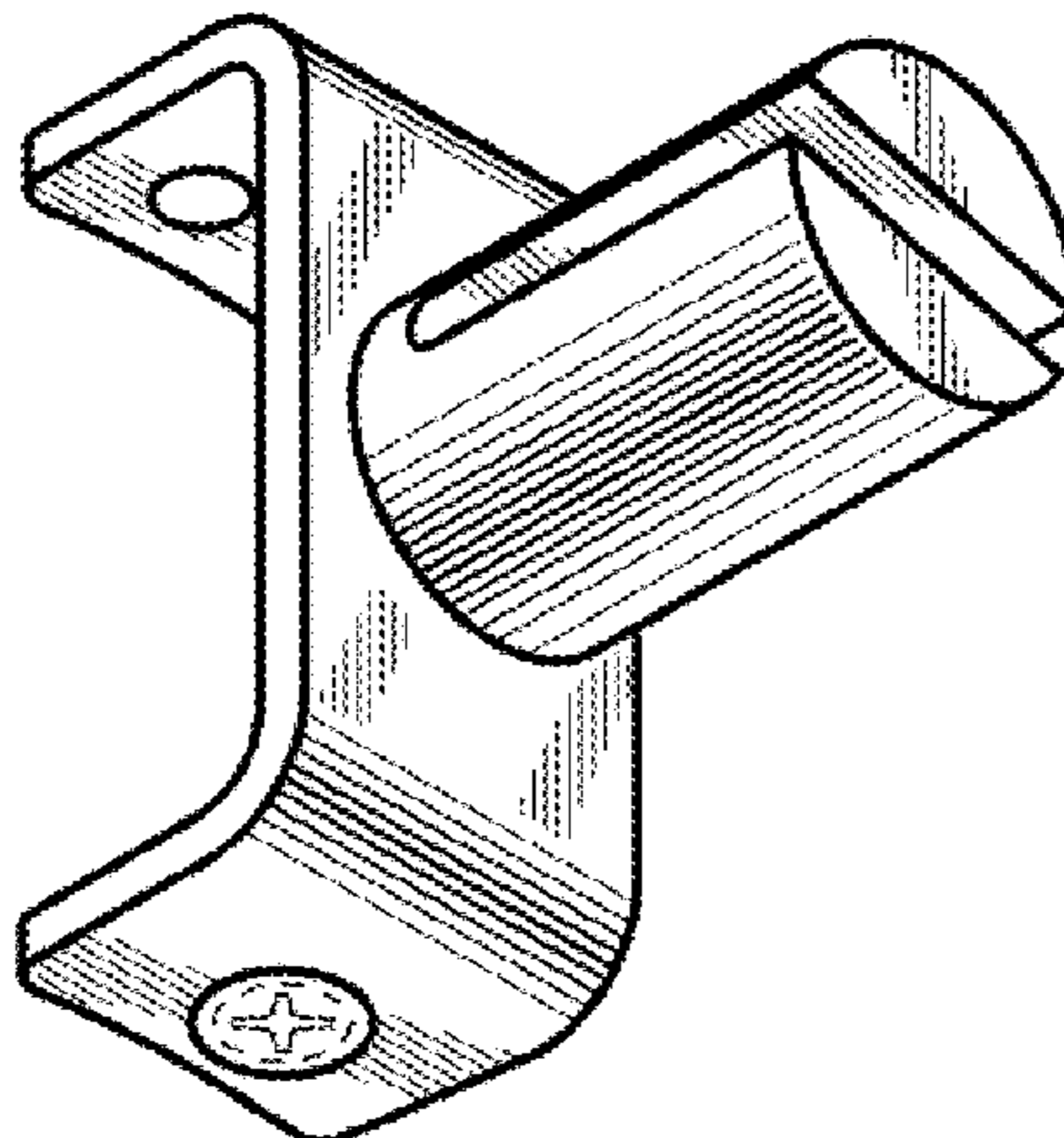
- (63) Continuation-in-part of application No. 29/511,472, filed on Dec. 10, 2014, now abandoned.
- (51) **LOC (10) Cl.** **23-04**
- (52) **U.S. Cl.**
USPC **D23/411**
- (58) **Field of Classification Search**
USPC D23/377, 379, 385, 387, 411–414, 499;
416/1, 5, 170 R, 214 R, 184, 206, 207,
416/210 R, 220 R, 244 R, 248; 392/364;
D8/349, 373, 327, 328, 343, 354, 363,
D8/376, 378, 380, 382; D6/709, 709.22,
D6/710, 708.23
CPC F04D 25/088; F04D 29/005; F04D 29/601;
F04D 29/322; F04D 29/324; F04D 29/34;
F21V 33/0096
See application file for complete search history.

(56) **References Cited**

U.S. PATENT DOCUMENTS

- D90,063 S 6/1933 Dasher
- 3,833,201 A * 9/1974 Dill E04H 17/1413
248/218.4
- D241,615 S * 9/1976 King D8/373

1 Claim, 2 Drawing Sheets



(56)

References Cited

U.S. PATENT DOCUMENTS

4,838,506 A * 6/1989 Cooper A61B 8/4209
248/200

D318,725 S * 7/1991 Jaeger D23/377

D345,790 S 4/1994 Caldwell

D408,515 S * 4/1999 Evans D23/377

5,951,253 A 9/1999 Gajewski

D421,113 S 2/2000 Zuege

D434,133 S * 11/2000 Johnson D23/377

6,171,060 B1 1/2001 Gajewski

6,209,853 B1 * 4/2001 Roy A01K 3/005
174/158 F

D449,029 S * 10/2001 Hanson D12/162

D556,017 S * 11/2007 Hutter, III D8/354

D583,923 S 12/2008 Bucher et al.

D594,314 S * 6/2009 Hutter, III D8/354

D596,733 S 7/2009 Kihara

D627,872 S * 11/2010 Pan D23/411

D628,688 S 12/2010 Pan

D656,813 S * 4/2012 Dotsey D8/354

D684,251 S * 6/2013 Pan D23/411

D707,336 S 6/2014 Pan

D730,717 S * 6/2015 Moreau D8/331

D739,217 S * 9/2015 Wu D8/380

D741,688 S * 10/2015 James D8/349

D747,452 S 1/2016 Gajewski

2003/0185684 A1 * 10/2003 Zhong F04D 29/34
416/210 R

2005/0220623 A1 * 10/2005 DeLeon F04D 29/36
416/210 R

2006/0024165 A1 * 2/2006 Gajewski F04D 29/34
416/210 R

2009/0175728 A1 * 7/2009 DeLeon F04D 25/088
416/210 R

2010/0074754 A1 * 3/2010 Taya A63H 27/12
416/210 R

* cited by examiner

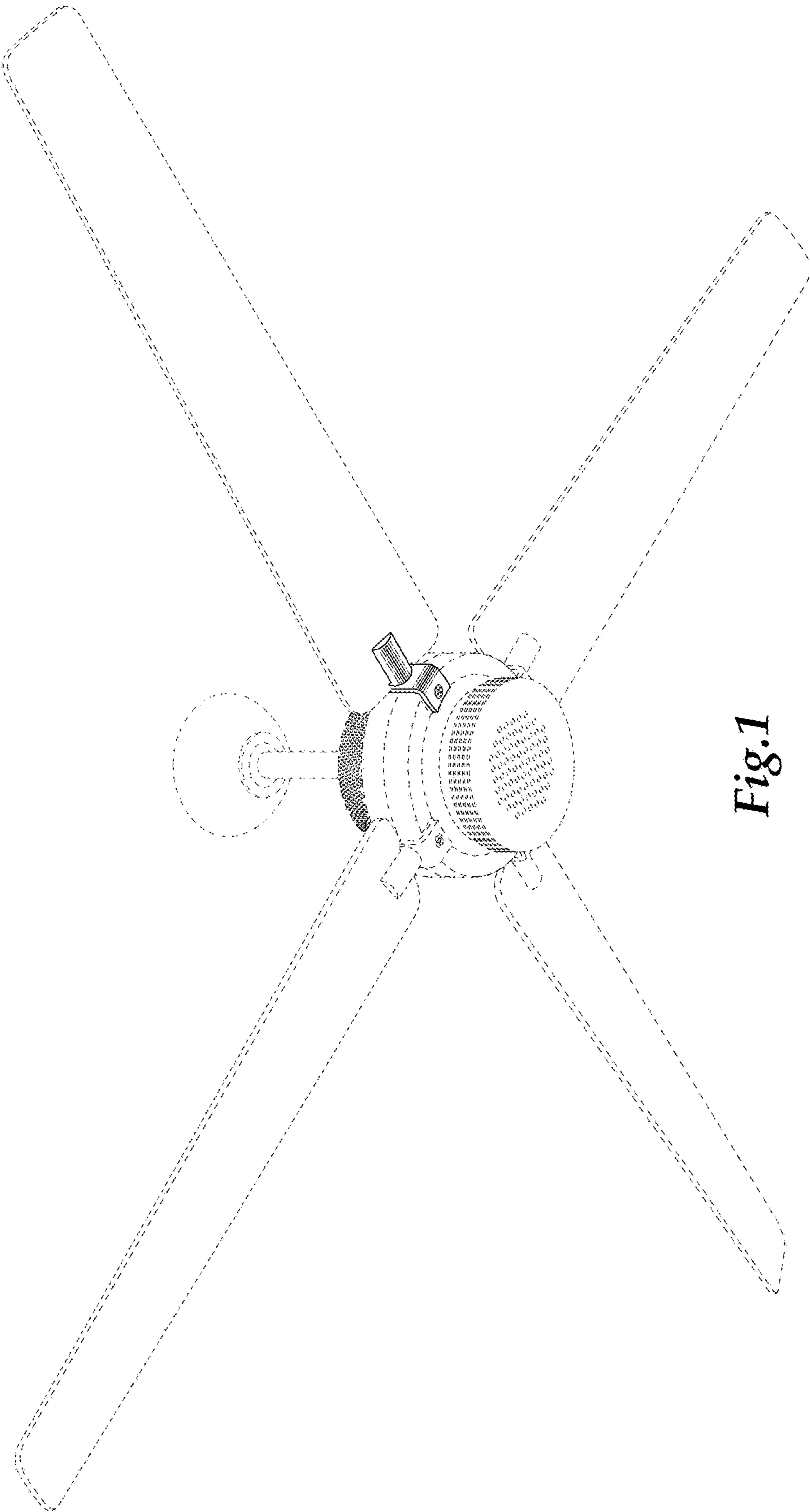


Fig. 1

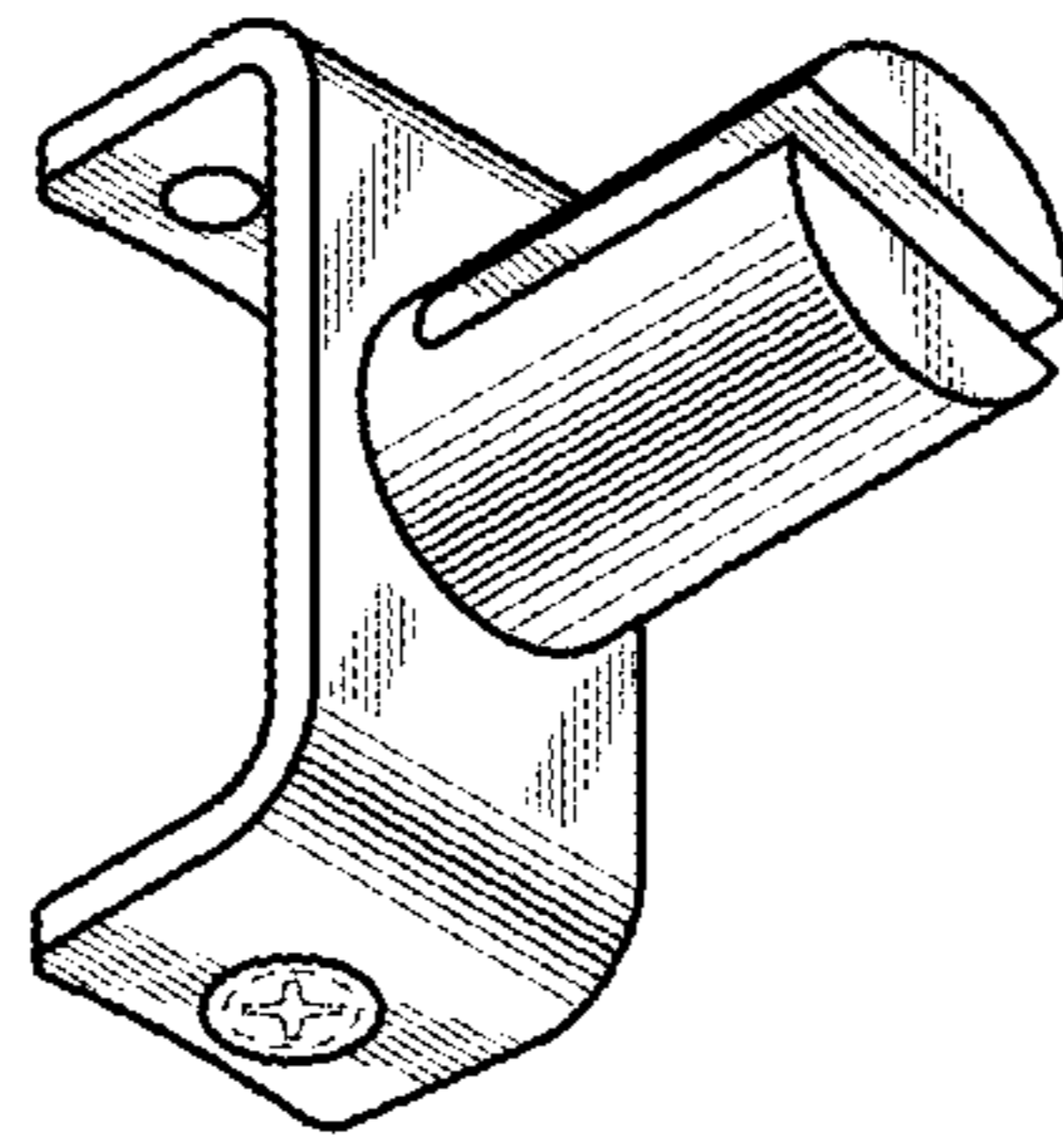


Fig.2

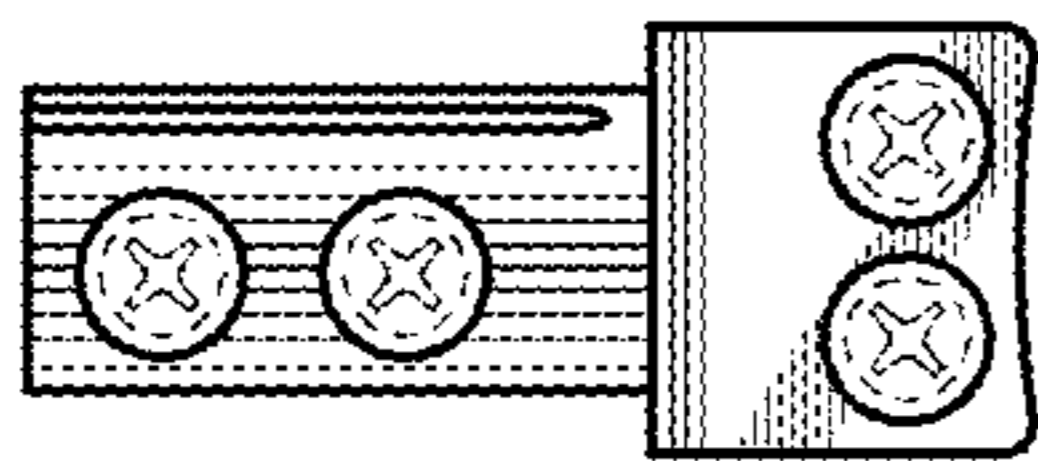


Fig.3

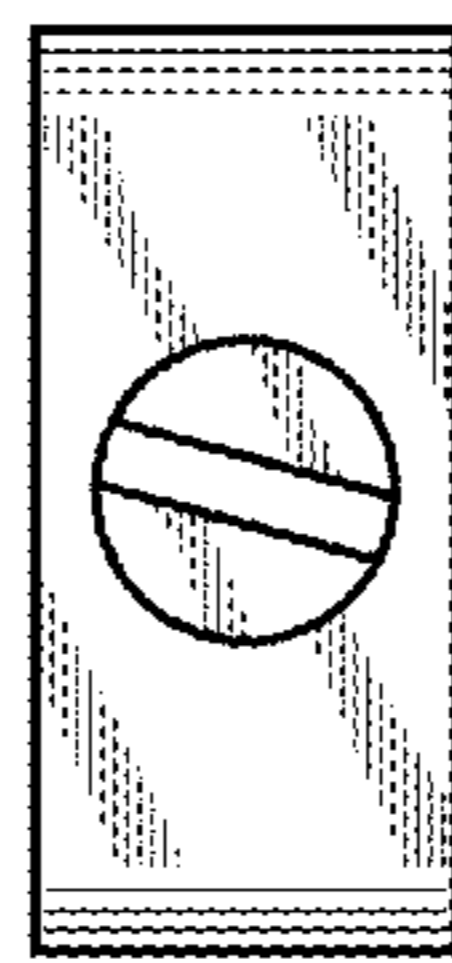


Fig.5

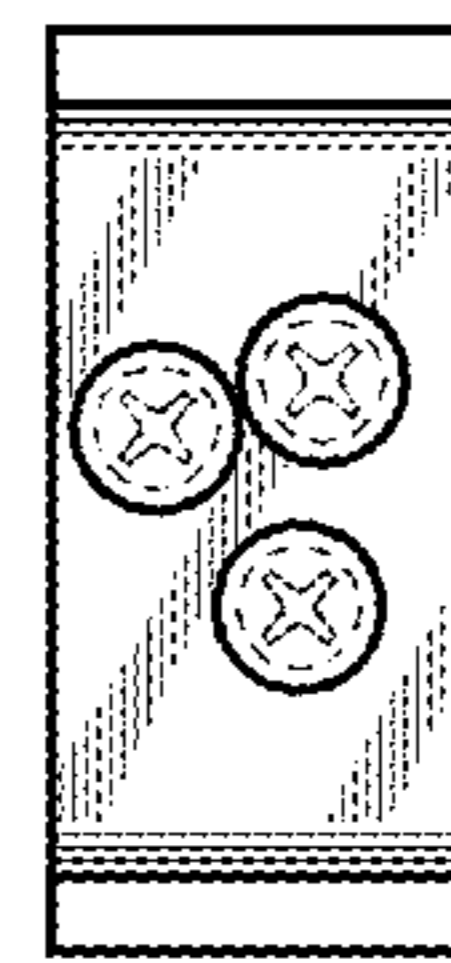


Fig.6

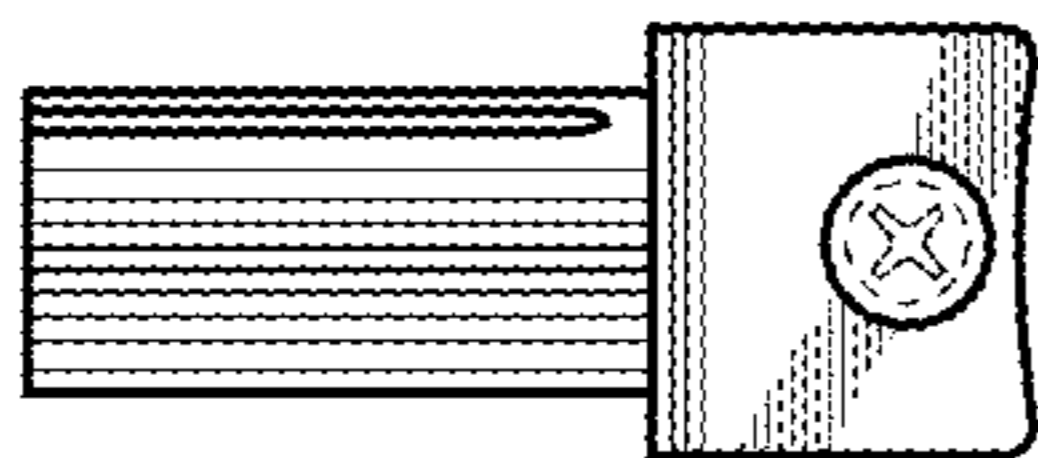


Fig.4

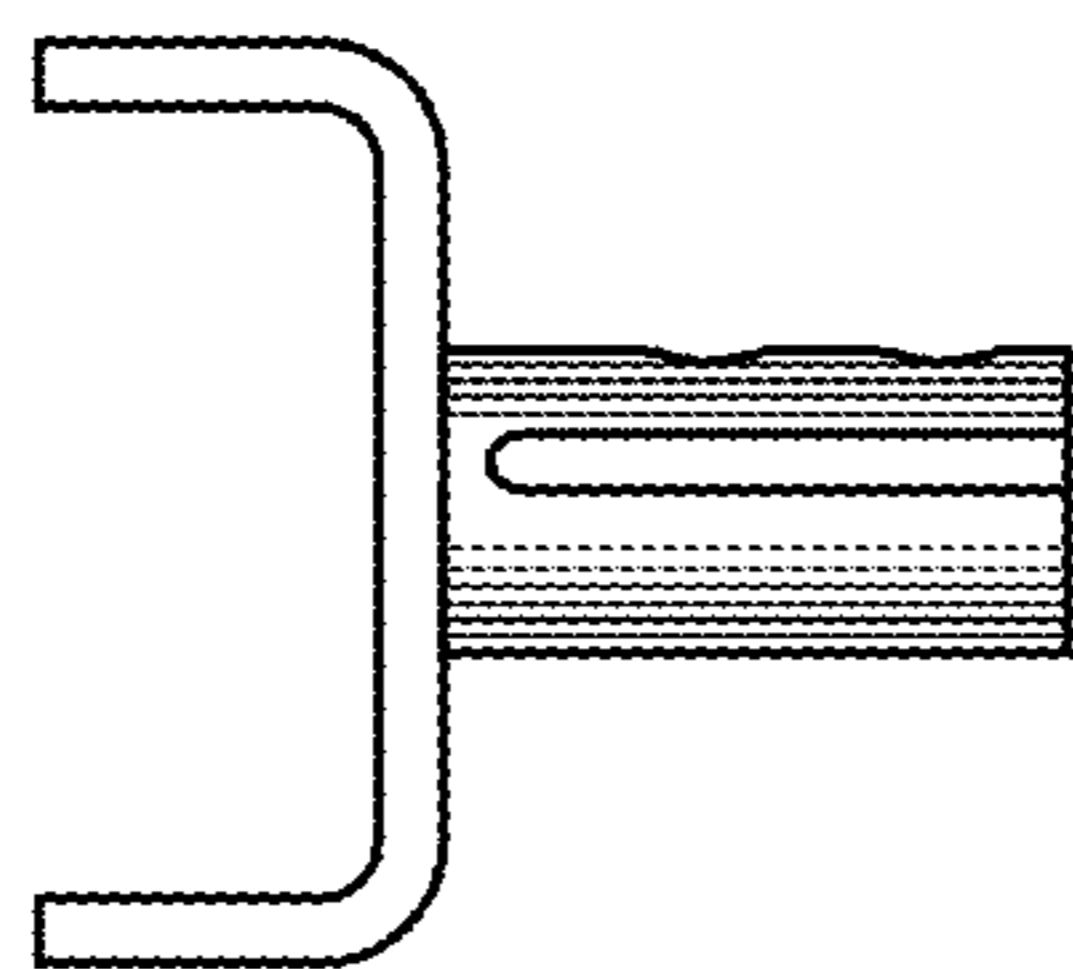


Fig.7

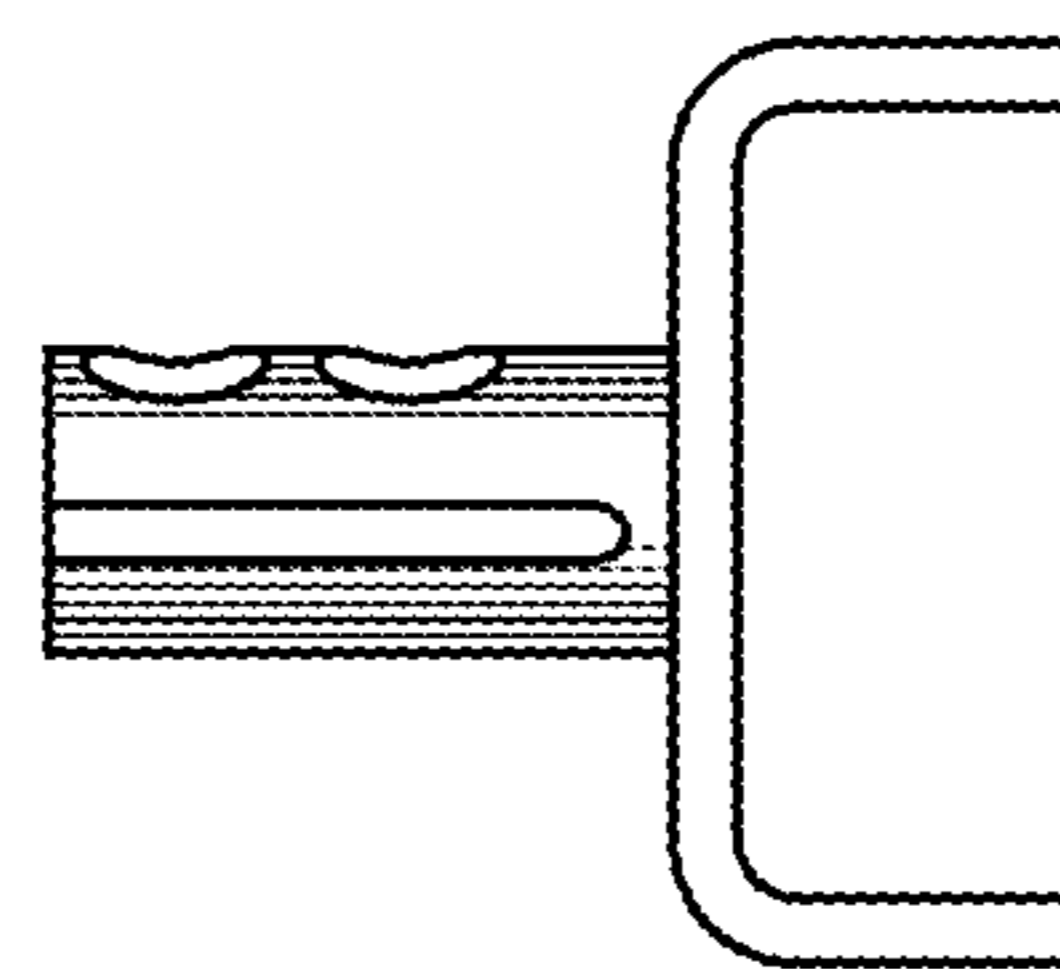


Fig.8