



US00D792570S

(12) **United States Design Patent**
Williams et al.

(10) **Patent No.:** **US D792,570 S**
(45) **Date of Patent:** **** Jul. 18, 2017**

(54) **VENT BREATHER**

(71) Applicant: **K&N ENGINEERING, INC.,**
Riverside, CA (US)

(72) Inventors: **Steve Williams**, Beaumont, CA (US);
Jere James Wall, Helendale, CA (US)

(73) Assignee: **K&N Engineering, Inc.**, Riverside, CA
(US)

(**) Term: **15 Years**

(21) Appl. No.: **29/577,839**

(22) Filed: **Sep. 15, 2016**

Related U.S. Application Data

(63) Continuation of application No. 29/523,931, filed on
Apr. 15, 2015, now Pat. No. Des. 767,112.

(51) **LOC (10) Cl.** **23-04**

(52) **U.S. Cl.**
USPC **D23/386**

(58) **Field of Classification Search**

USPC D23/323, 328, 333, 335, 336, 337, 341,
D23/352, 357, 370, 385, 386, 397, 399,
D23/400, 406, 411, 413, 499; D13/182
CPC B64C 11/04; B64C 11/16; B64C 11/18;
B64C 11/20; B64C 2001/009; F03D
3/062; F03D 11/04; F04D 19/002; F04D
25/068; F04D 25/088; F04D 19/00; F24F
1/0018; B64D 13/02; E04C 2/427; E06B
3/5892; B24B 37/04; B01D 46/00
See application file for complete search history.

(56) **References Cited**

U.S. PATENT DOCUMENTS

2,315,684 A * 4/1943 Benson D06F 5/04
220/315
5,155,320 A * 10/1992 Simmons B23K 35/0205
219/119

D344,390 S * 2/1994 May D99/5
D401,684 S * 11/1998 Shelton D23/365
D488,741 S * 4/2004 Moya D11/143
D533,265 S * 12/2006 Fiello D23/365
D533,655 S * 12/2006 Glasbrenner D23/411
7,311,092 B1 * 12/2007 Ling F02D 9/02
123/587
7,319,279 B2 * 1/2008 Korner F03D 3/005
290/44
D667,099 S * 9/2012 Williams D23/365
D668,177 S * 10/2012 Friesen D11/152
(Continued)

OTHER PUBLICATIONS

K&N Crankcase Vent Filter, image post date Nov. 5, 2016, site
visited Mar. 20, 2017, (online), <<http://web.archive.org/web/20161105235141/http://www.knfilters.com/vent.htm>>.*

(Continued)

Primary Examiner — Kevin Rudzinski

Assistant Examiner — Sean D Lough

(74) *Attorney, Agent, or Firm* — Rutan & Tucker LLP;
Hani Z. Sayed

(57)

CLAIM

The ornamental design for an vent breather, as shown and
described.

DESCRIPTION

FIG. 1 is a top, front, left side perspective view of the vent
breather;

FIG. 2 is a bottom, rear, right side perspective view;

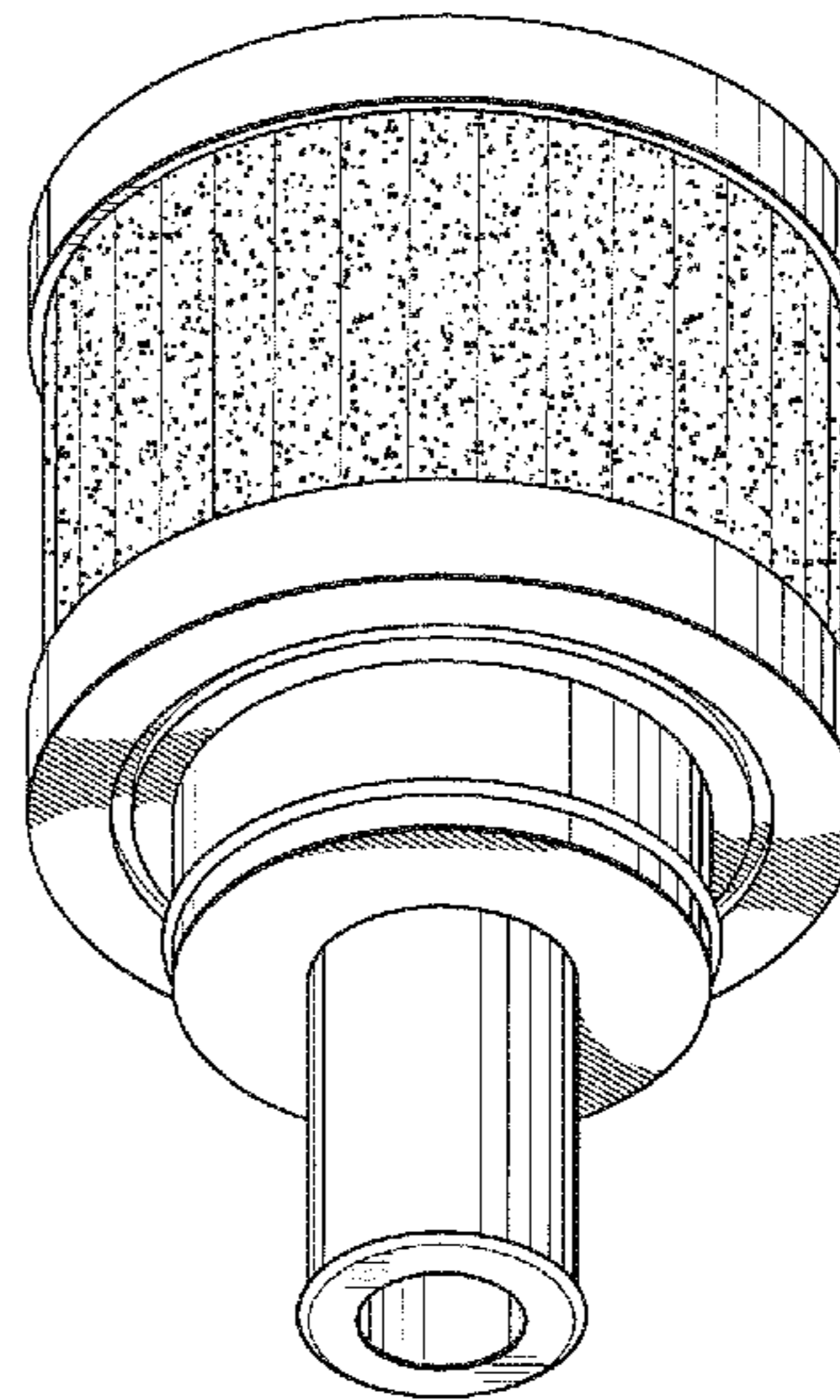
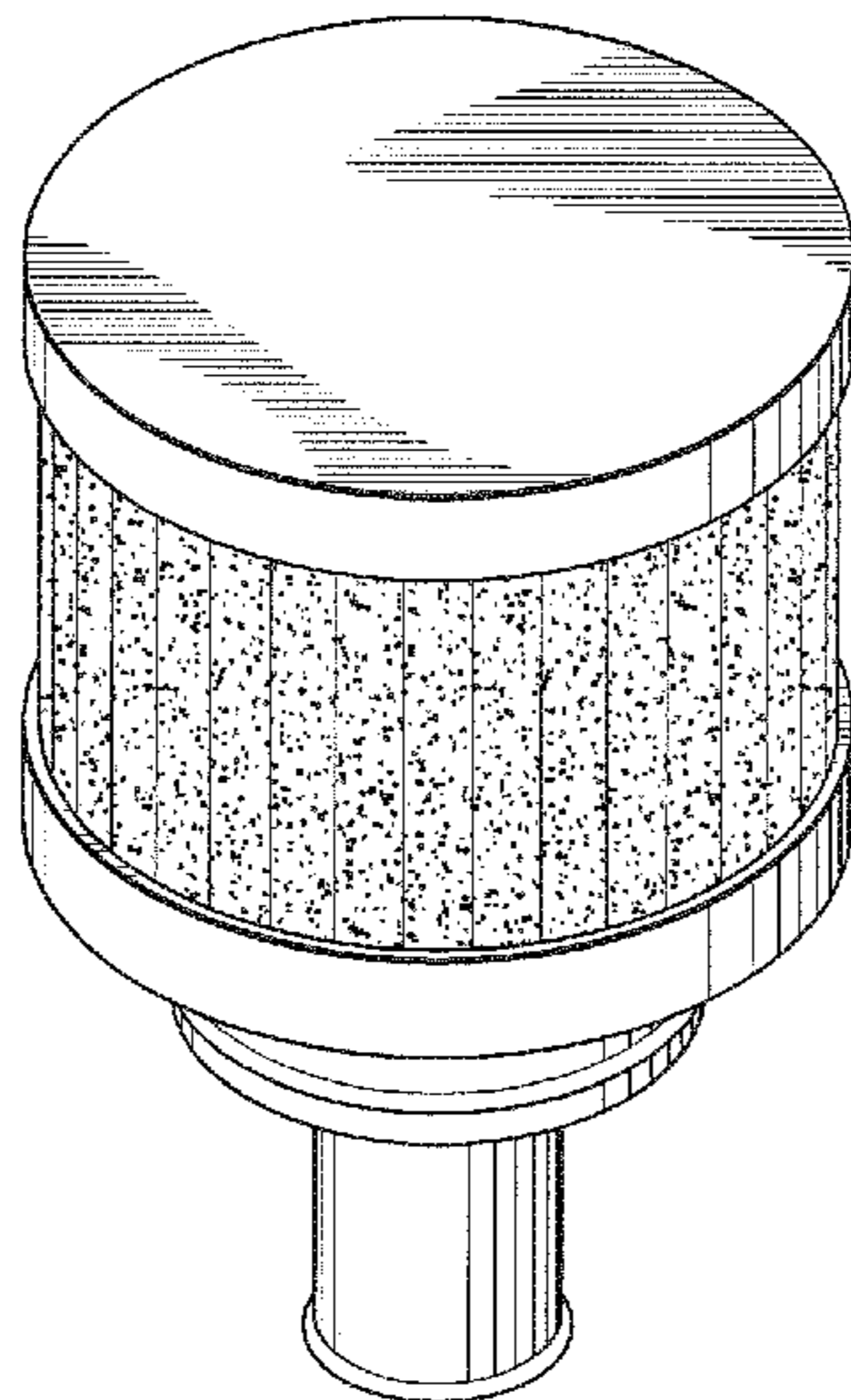
FIG. 3 is a front elevation view, the device being rotationally
symmetric, and all elevation views being identical;

FIG. 4 is a top plan view;

FIG. 5 is a bottom plan view; and,

FIG. 6 is a bottom, rear, right side exploded perspective
view.

1 Claim, 2 Drawing Sheets



(56)

References Cited

U.S. PATENT DOCUMENTS

D671,633 S * 11/2012 Glasbrenner D23/385
 8,343,353 B1 * 1/2013 Dunn F24F 7/013
 126/299 R
 D697,191 S * 1/2014 Williams D23/365
 D710,488 S * 8/2014 Alima D23/363
 8,796,878 B1 * 8/2014 Hill F03D 3/062
 290/55
 D713,023 S * 9/2014 Chen D23/365
 D717,420 S * 11/2014 Von Seggern D23/365
 D735,296 S * 7/2015 Bamber D23/233
 D739,513 S * 9/2015 Williams D23/365
 D745,959 S * 12/2015 Ertze D23/411
 D767,112 S * 9/2016 Williams D23/386
 D772,713 S * 11/2016 Chapman D9/434
 D777,211 S * 1/2017 Wall D15/5
 2006/0090429 A1 * 5/2006 Wall B01D 46/0004
 55/418
 2008/0075612 A1 * 3/2008 Hsu F04D 25/0606
 417/422
 2008/0098560 A1 * 5/2008 Williams A47L 7/0042
 15/320
 2010/0303678 A1 * 12/2010 Lockhart F24H 3/0417
 422/186.3
 2011/0041308 A1 * 2/2011 Swanson B27B 5/34
 29/428
 2013/0101405 A1 * 4/2013 Shiraichi F04D 29/283
 415/191
 2013/0156582 A1 * 6/2013 Wang F04D 25/105
 416/170 R
 2013/0283743 A1 * 10/2013 Williams B01D 46/103
 55/497
 2014/0023521 A1 * 1/2014 Post F04D 17/162
 417/53

2014/0199168 A1 * 7/2014 Spiro F04D 29/582
 416/5
 2014/0224766 A1 * 8/2014 Chou B24B 37/32
 216/53
 2015/0192171 A1 * 7/2015 Yeh F16C 33/74
 384/123
 2015/0194318 A1 * 7/2015 Lee H01L 21/32115
 438/693
 2015/0198175 A1 * 7/2015 Lin F04D 29/34
 416/212 R
 2015/0318179 A1 * 11/2015 Yeh B24B 37/105
 451/41
 2015/0377245 A1 * 12/2015 Chou F04D 19/002
 415/191
 2015/0380255 A1 * 12/2015 Lee B24B 37/08
 451/262
 2016/0032941 A1 * 2/2016 Beavis F04F 5/16
 417/423.14
 2016/0161133 A1 * 6/2016 Oh F24F 7/065
 415/62
 2016/0167802 A1 * 6/2016 Lo B64D 37/34
 96/187
 2016/0169235 A1 * 6/2016 Ignatovich F04D 19/002
 415/122.1
 2016/0273423 A1 * 9/2016 Williams F01M 13/0011
 2016/0285343 A1 * 9/2016 Tsai H02K 7/14
 2016/0368591 A1 * 12/2016 Pawar B64C 11/06
 2017/0037868 A1 * 2/2017 Chang F04D 29/34

OTHER PUBLICATIONS

Air-Filters—S-B-Performance-Replacemet, image post date Feb. 29, 2016, site visited Mar. 20, 2017, (online), <<https://www.tineye.com/search/cfebc509668c47a136e840bec6fd5420a47ea7ea/>>.*

* cited by examiner

FIG. 1

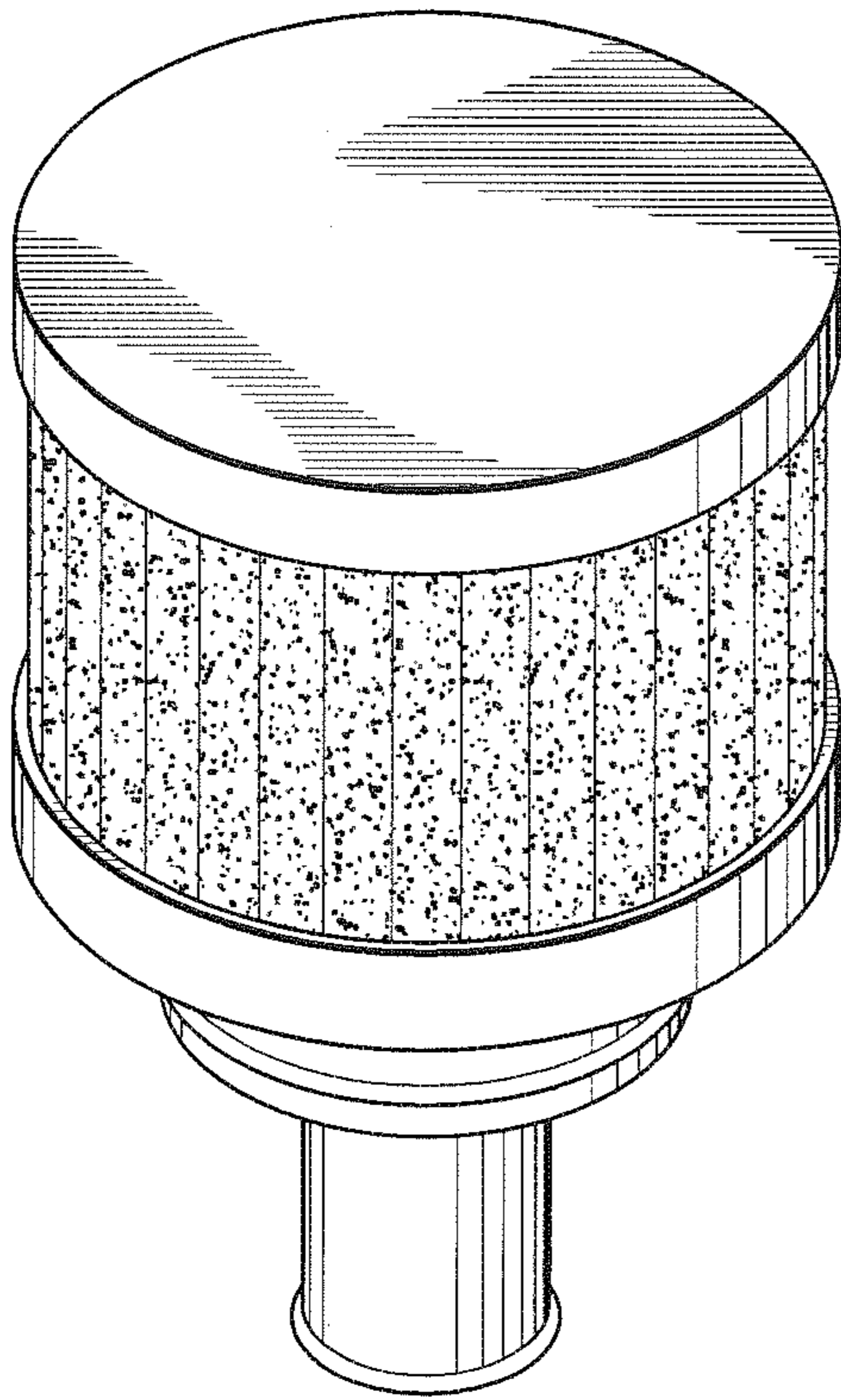


FIG. 2

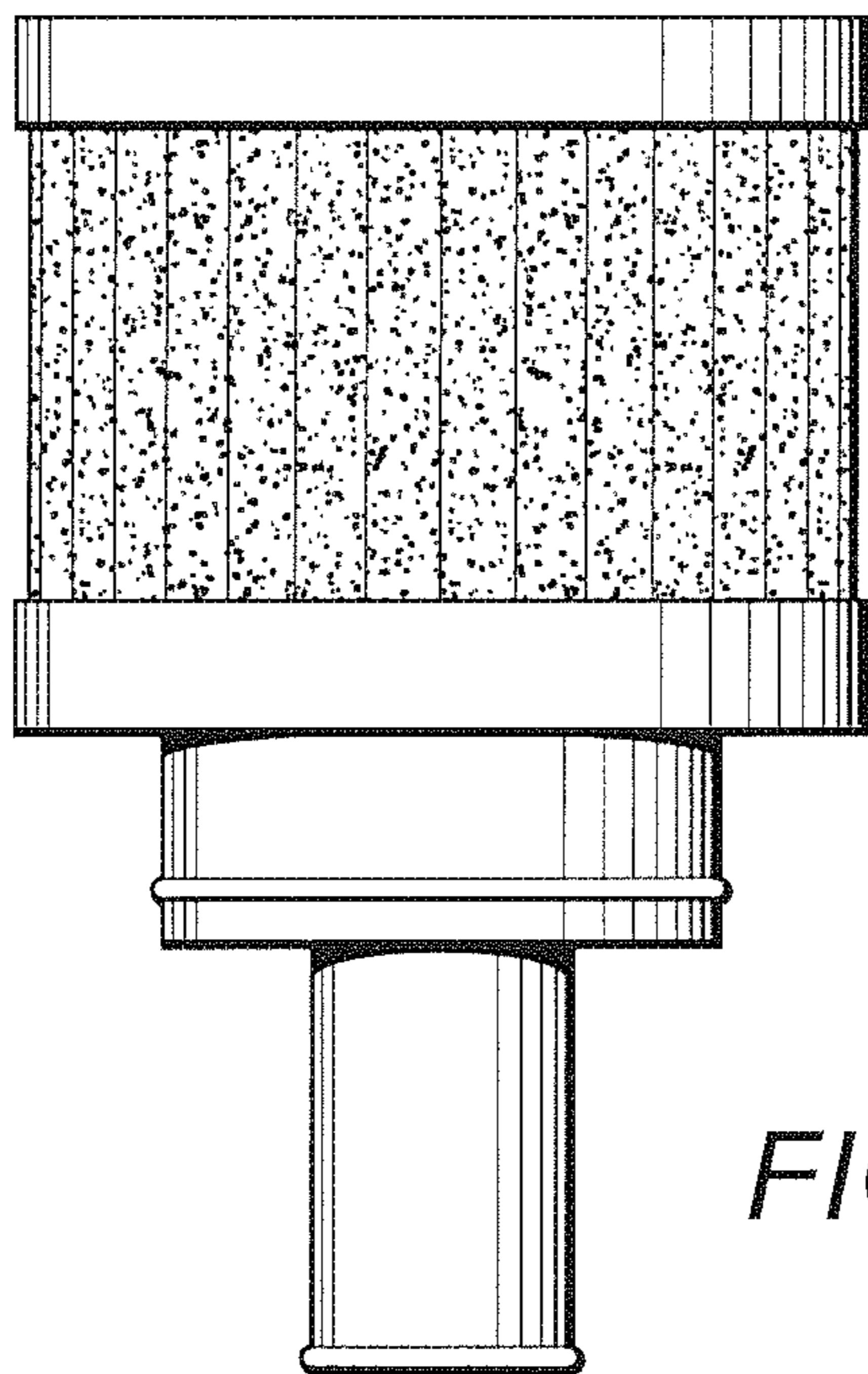
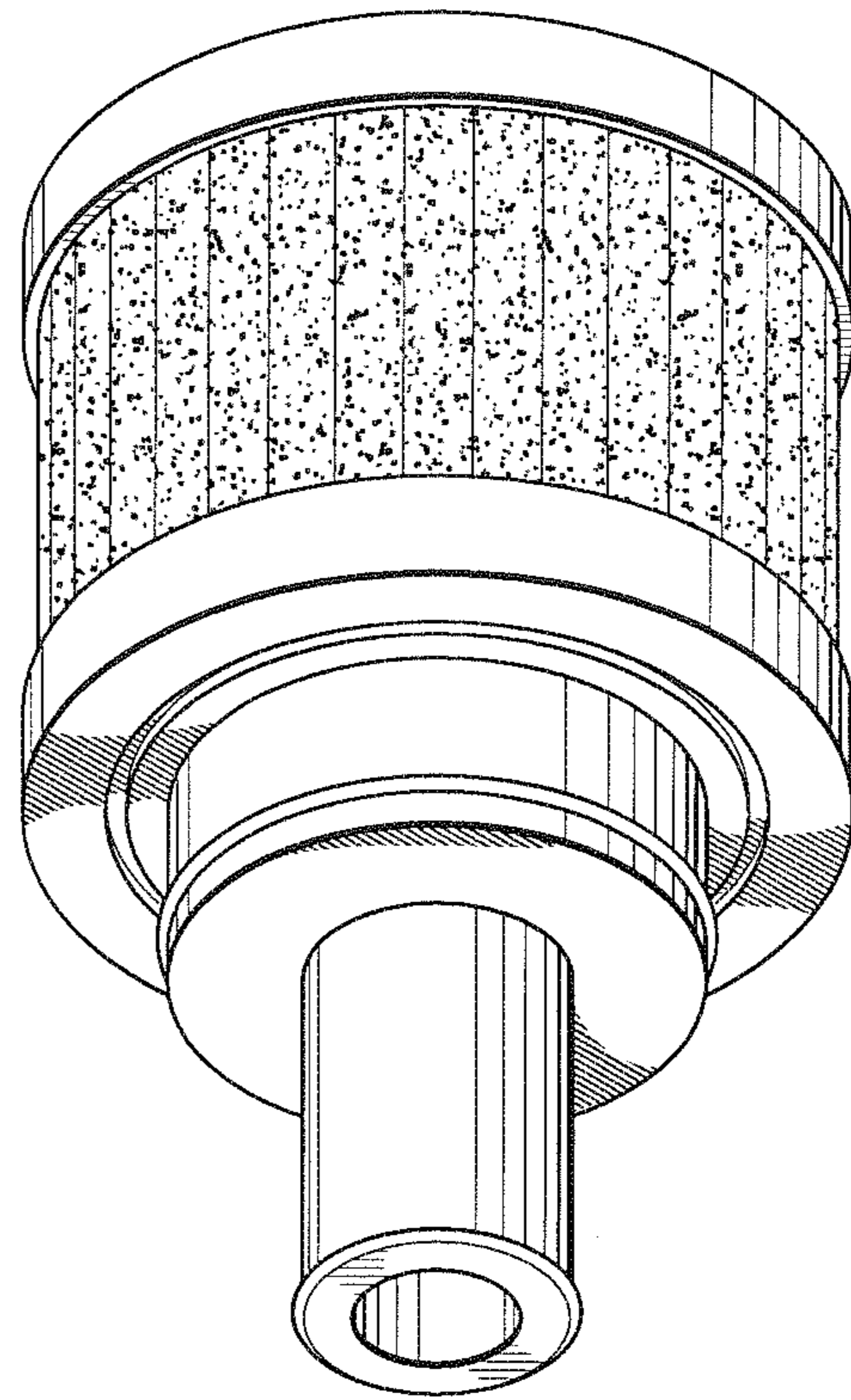


FIG. 3

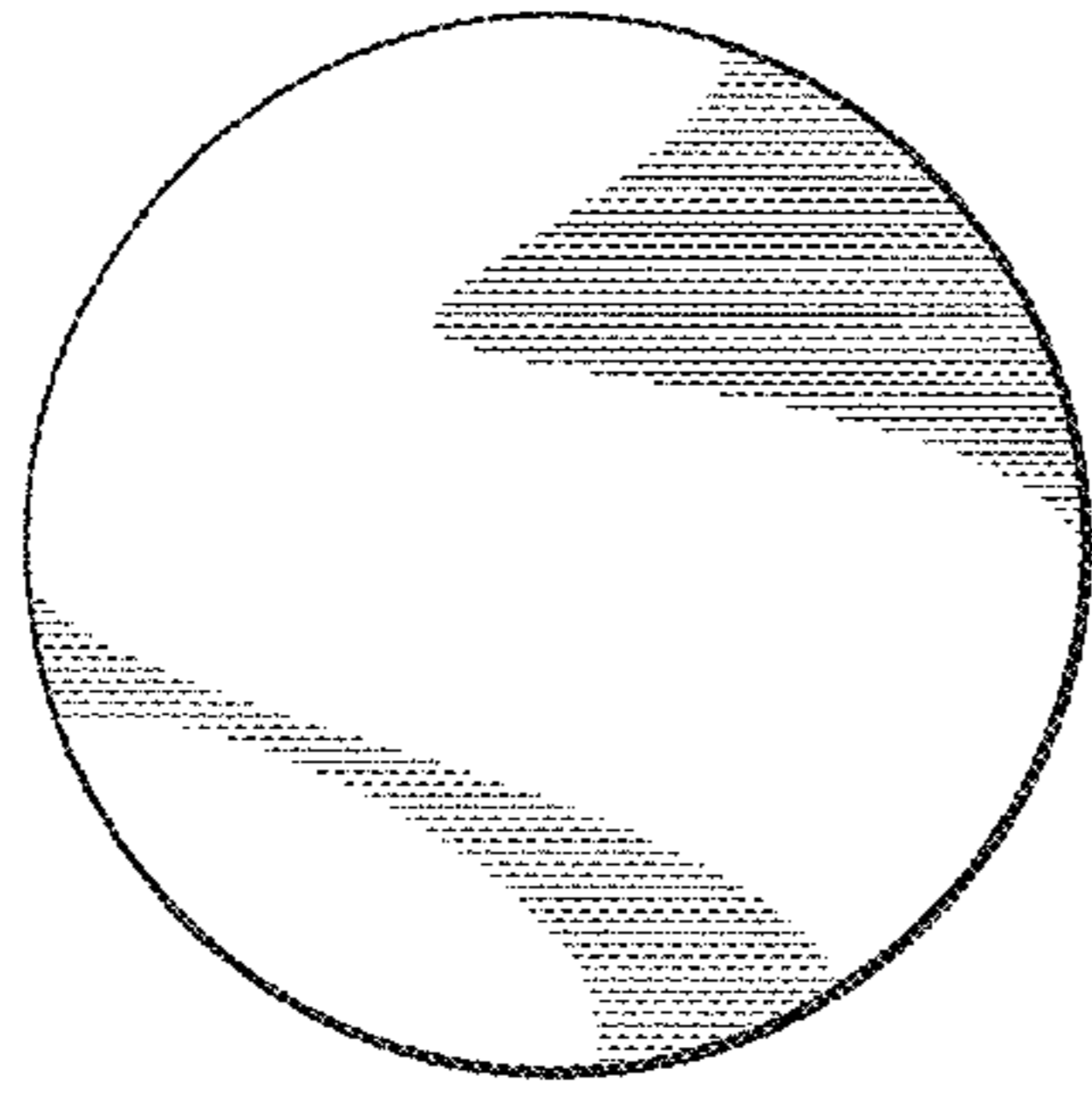


FIG. 4

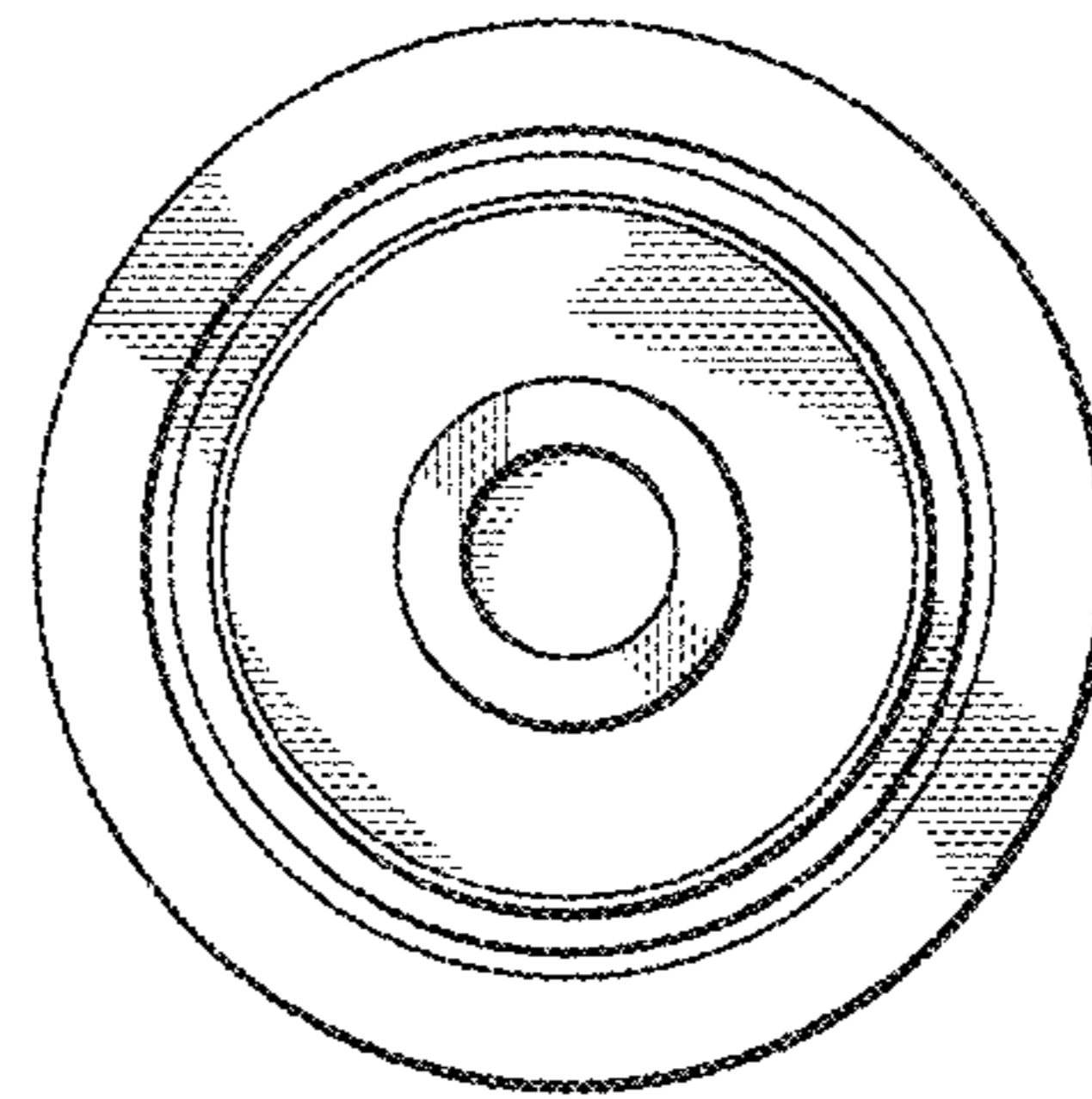


FIG. 5

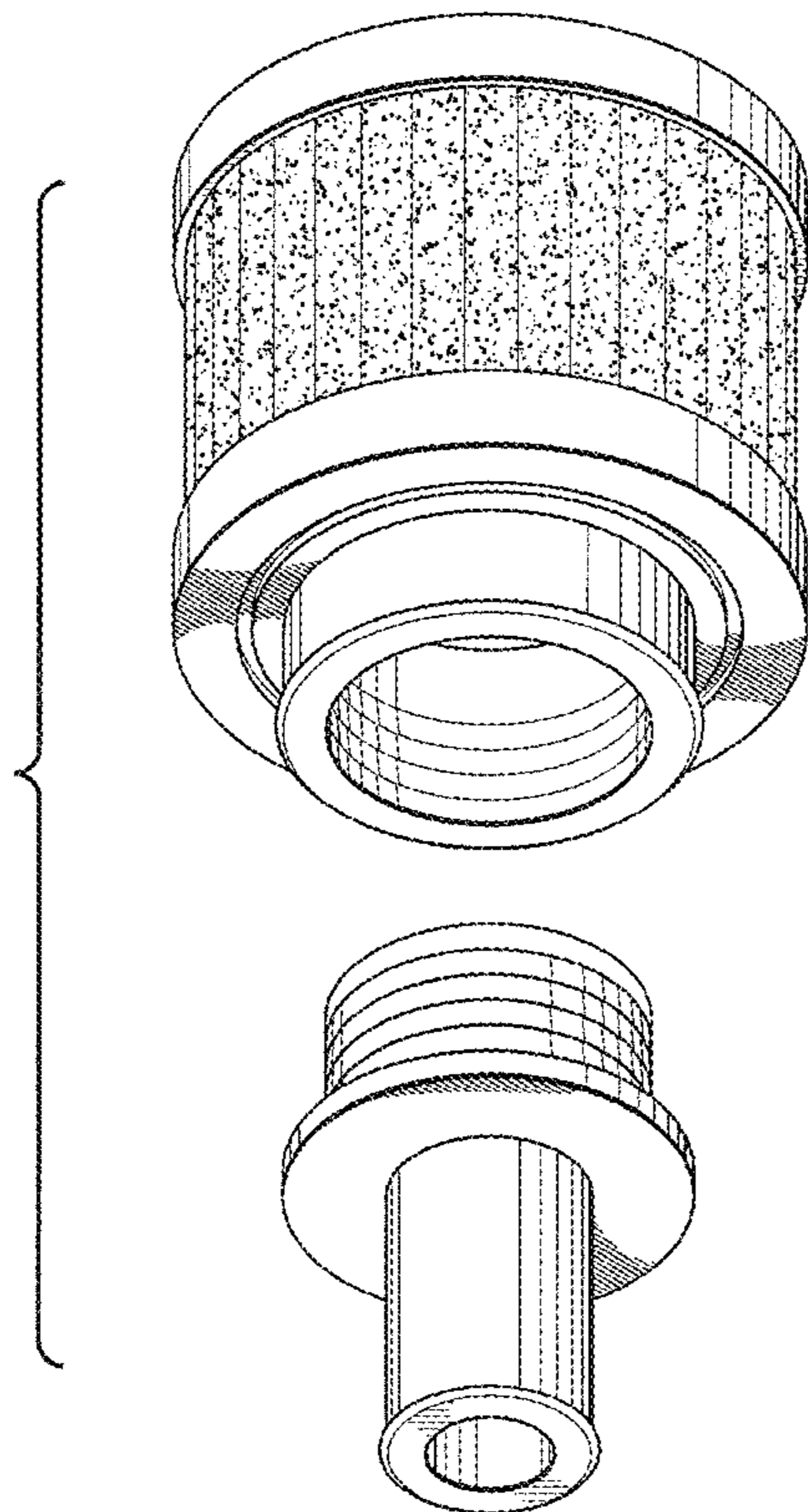


FIG. 6