



US00D792567S

(12) **United States Design Patent** (10) **Patent No.:** **US D792,567 S**
Zemel et al. (45) **Date of Patent:** **** Jul. 18, 2017**

(54) **FIRE PIT**
(71) Applicant: **BLUE RHINO GLOBAL SOURCING, INC.**, Liberty, MO (US)
(72) Inventors: **Marc Zemel**, Melville, NY (US); **Adam Schillen**, Dix Hills, NY (US)
(73) Assignee: **BLUE RHINO GLOBAL SOURCING, INC.**, Liberty, MO (US)
(**) Term: **15 Years**
(21) Appl. No.: **29/587,506**
(22) Filed: **Dec. 13, 2016**

4,094,649 A 6/1978 Osterried
4,300,444 A 11/1981 Muse
4,884,551 A 12/1989 Hait
D394,779 S 6/1998 Hilvitz
6,328,028 B1 12/2001 Cayse et al.
7,789,919 B2 9/2010 Helms, Jr. et al.
D698,908 S 2/2014 Krieger
D718,569 S 12/2014 Chiang
8,991,382 B1 3/2015 Mau
D742,490 S * 11/2015 Jepson D23/343
D760,880 S * 7/2016 Jenkins D23/332
2003/0015186 A1 1/2003 McDonald
2003/0106548 A1 6/2003 Tseng
2006/0236996 A1 10/2006 Mosher et al.
2006/0278208 A1 12/2006 Lee
2007/0001068 A1 1/2007 Catalina
2008/0105252 A1 5/2008 Barbour et al.
2011/0262874 A1 10/2011 Kraminer
2013/0081609 A1 4/2013 Dhuper et al.
2013/0255659 A1 10/2013 Fulp et al.
2013/0269674 A1 10/2013 Junge, Sr.

Related U.S. Application Data

(63) Continuation of application No. 29/496,280, filed on Jul. 11, 2014, now Pat. No. Des. 774,172.

(51) **LOC (10) Cl.** **23-03**

(52) **U.S. Cl.**
USPC **D23/343; D23/348**

(58) **Field of Classification Search**
USPC D23/317, 314, 332, 333, 334, 335, 337, D23/342, 351, 355, 378, 370, 381, 364, D23/336, 341, 343, 348, 401; 126/30; D7/332, 333, 334, 335, 336, 337, 402, D7/403, 404, 405, 352, 323, 347, 339
CPC F24C 1/16; F24C 5/00; A47J 33/00; A47J 37/07; A47J 37/0763; F24B 1/18; F24B 1/182; F24B 1/1808; F24B 1/181; F24B 1/191; F24B 1/195
See application file for complete search history.

(56) **References Cited**

U.S. PATENT DOCUMENTS

2,322,016 A 6/1943 Hardemann
3,330,266 A 7/1967 Stephen

(Continued)

FOREIGN PATENT DOCUMENTS

FR 2873911 A1 2/2006

Primary Examiner — T. Chase Nelson

Assistant Examiner — Ania Aman

(74) *Attorney, Agent, or Firm* — Carter, DeLuca, Farrell & Schmidt, LLP

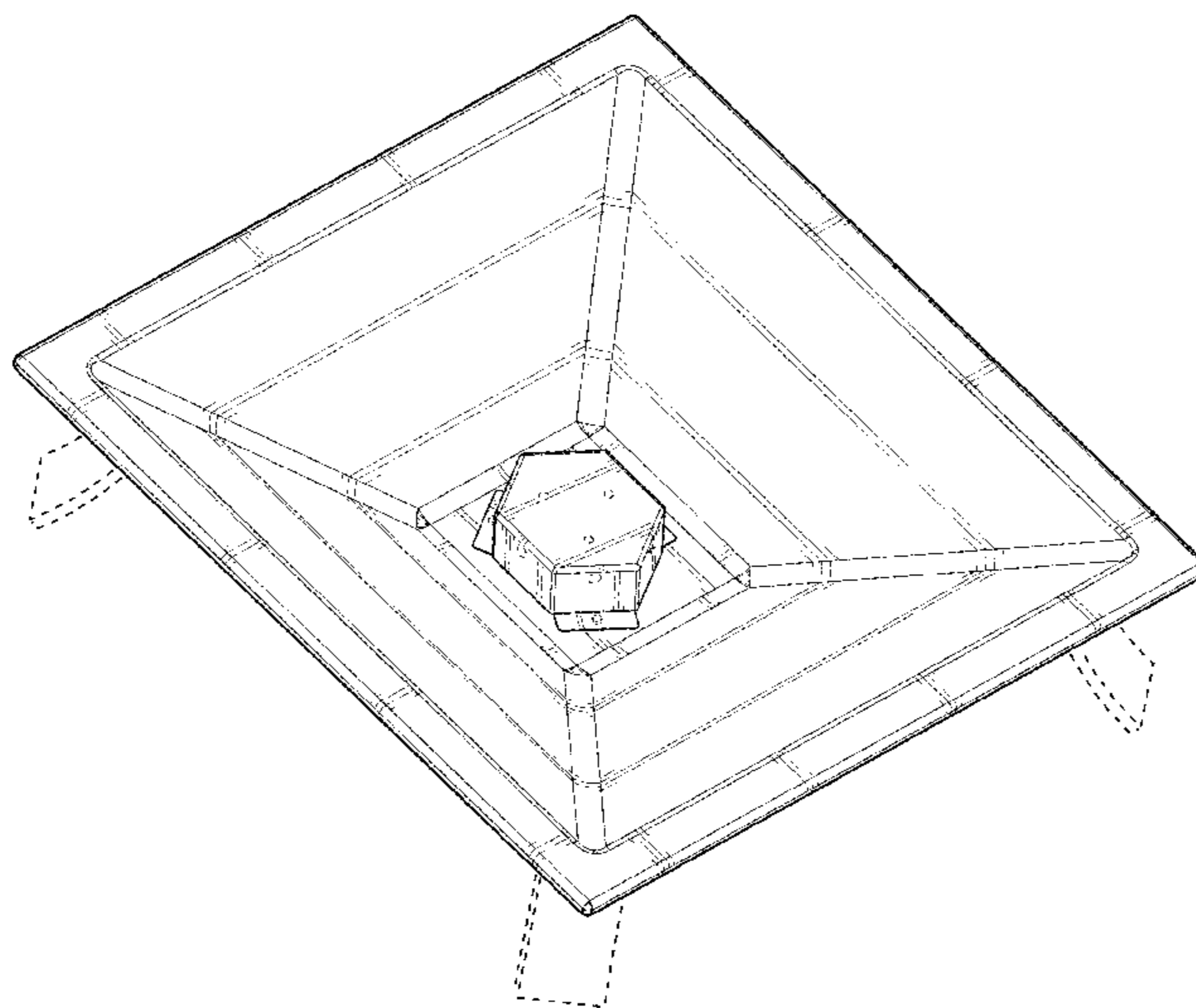
(57) **CLAIM**

The ornamental design for a fire pit, as shown and described.

DESCRIPTION

FIG. 1 is a perspective view of a fire pit in accordance with the present design; and, FIG. 2 is a top plan view thereof. The broken lines shown are included for the purpose of illustrating a portion of the fire pit that forms no part of the claimed design.

1 Claim, 2 Drawing Sheets



(56)

References Cited

U.S. PATENT DOCUMENTS

2013/0319255 A1 12/2013 Chiang
2014/0338585 A1 11/2014 McBride et al.
2015/0267919 A1* 9/2015 Zemel F24B 3/00
431/6

* cited by examiner

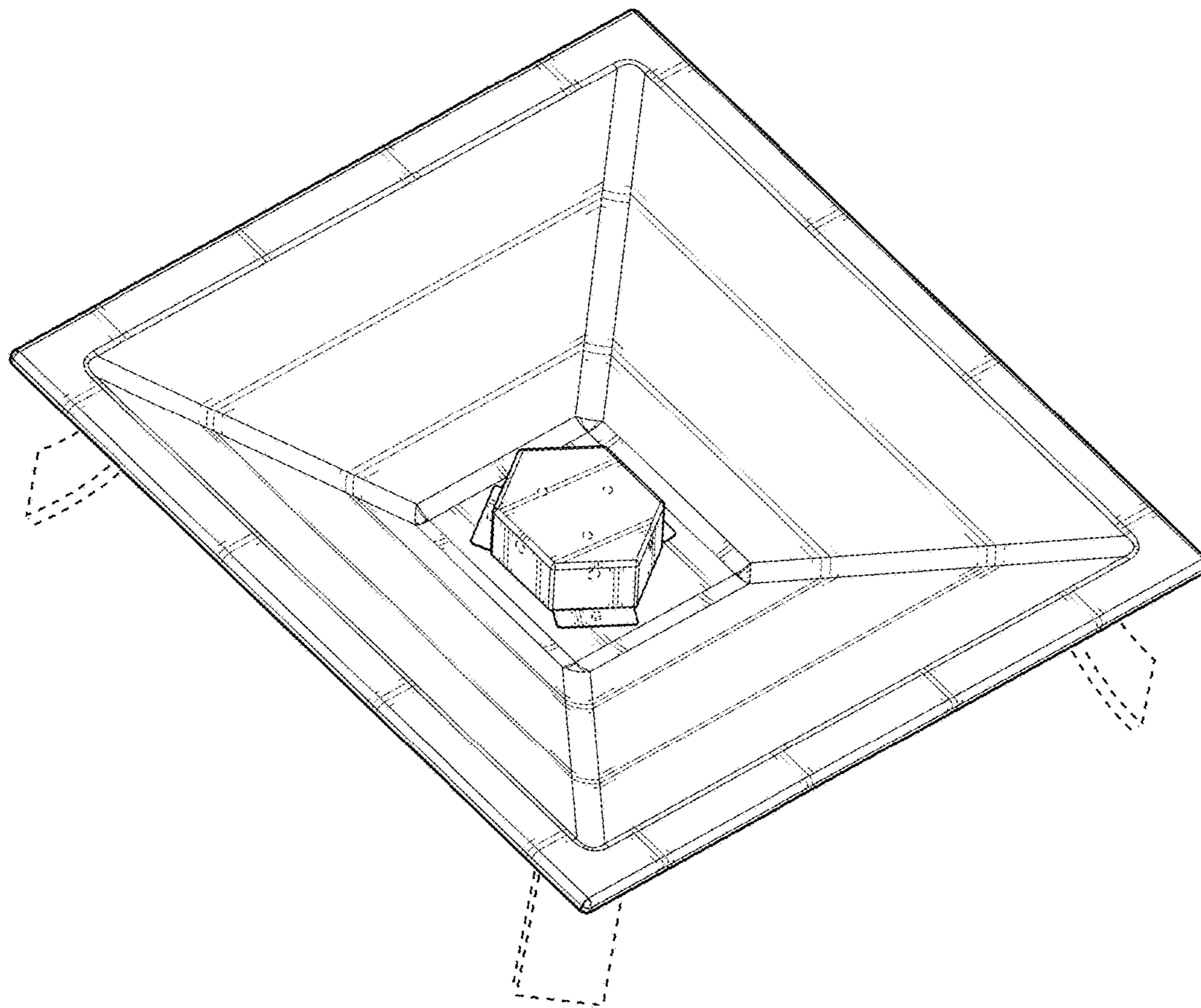


FIG. 1

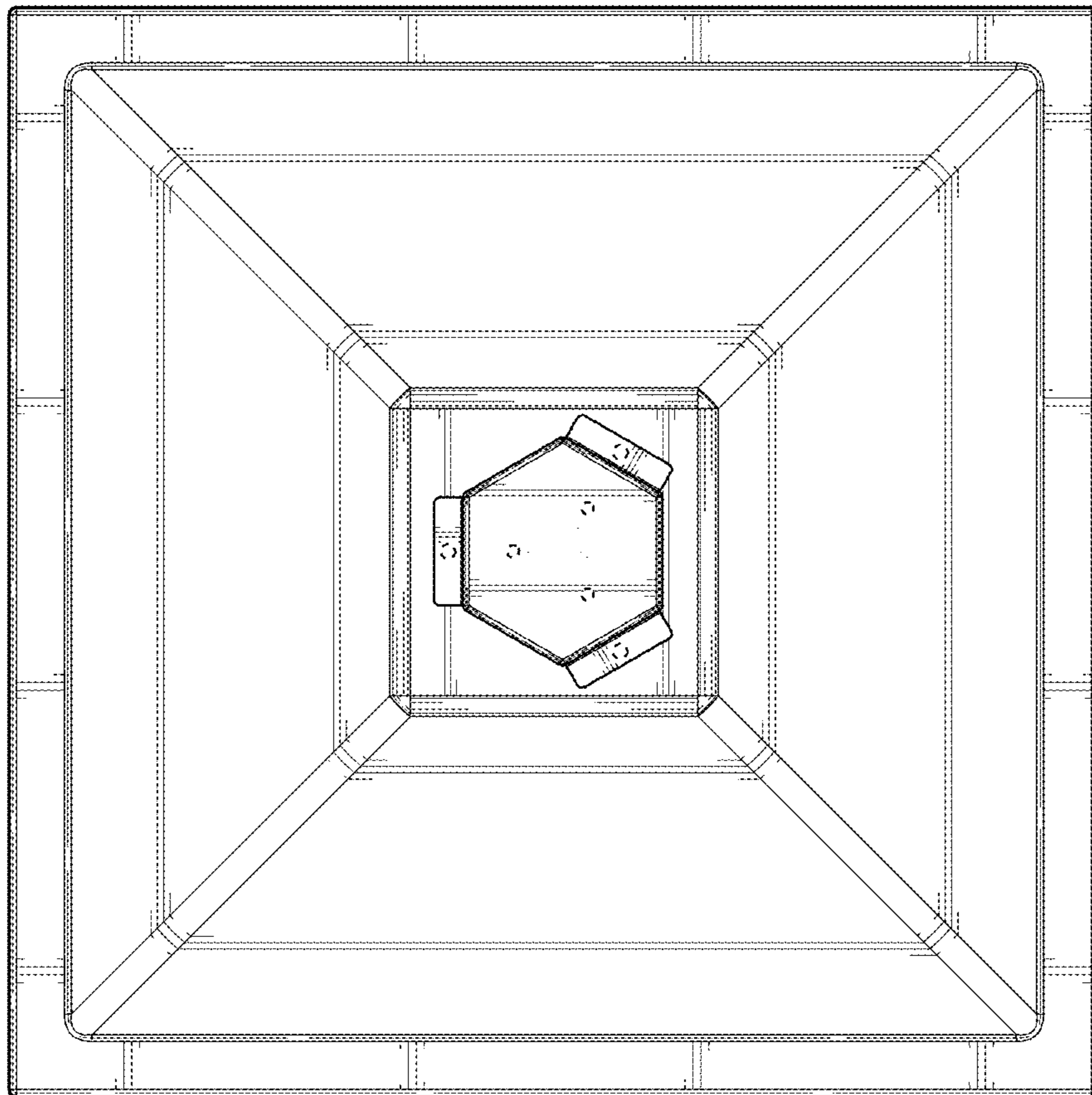


FIG. 2