



US00D792565S

(12) **United States Design Patent** (10) **Patent No.:** **US D792,565 S**  
**Ishikawa et al.** (45) **Date of Patent:** **\*\* Jul. 18, 2017**

(54) **WATER CLOSET**

(71) Applicant: **TOTO, Ltd.**, Kitakyushu-shi, Fukuoka (JP)

(72) Inventors: **Masafumi Ishikawa**, Kitakyushu (JP); **Steven Chen**, Morrow, GA (US); **Lea Mari Mendoza**, Morrow, GA (US)

(73) Assignee: **TOTO, Ltd.**, Kitakyushu-shi, Fukuoka (JP)

(\*\*) Term: **15 Years**

(21) Appl. No.: **29/505,584**

(22) Filed: **Dec. 24, 2015**

(51) **LOC (10) Cl.** ..... **23-02**

(52) **U.S. Cl.**  
USPC ..... **D23/301**

(58) **Field of Classification Search**  
USPC ..... D23/295-301, 303, 309, 313  
CPC ..... A47K 11/02; A47K 11/026  
See application file for complete search history.

(56) **References Cited**

**U.S. PATENT DOCUMENTS**

D379,405 S *	5/1997	Shillington	.....	D23/295
D438,939 S *	3/2001	Kawamura	.....	D23/295
D444,864 S *	7/2001	McKeone	.....	D23/301
D472,619 S *	4/2003	Kawamura	.....	D23/301
D515,185 S *	2/2006	Daikubara	.....	D23/301
D532,493 S *	11/2006	Bucher	.....	D23/301
D532,875 S *	11/2006	Kaule	.....	D23/301
D533,927 S *	12/2006	Kakahana	.....	D23/301

D672,021 S *	12/2012	Bradford	.....	D23/301
D706,400 S *	6/2014	Spangler	.....	D23/301
RE45,460 E *	4/2015	Jiang	.....	D23/301
D750,762 S *	3/2016	Eads	.....	D23/301

\* cited by examiner

*Primary Examiner* — Robert M Spear

*Assistant Examiner* — John Voytek

(74) *Attorney, Agent, or Firm* — Banner & Witcoff, Ltd.

(57) **CLAIM**

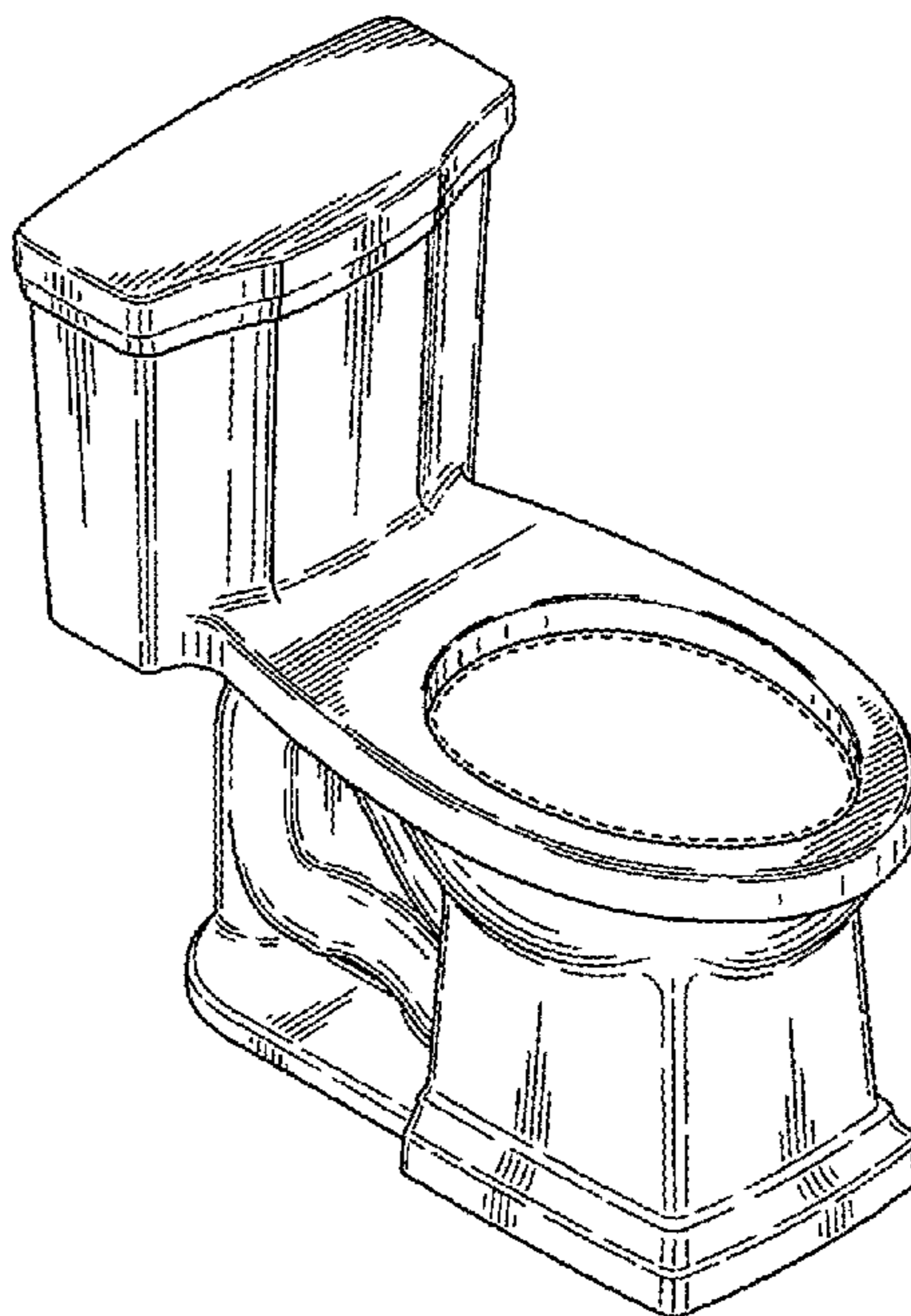
The ornamental design for a water closet, as shown and described.

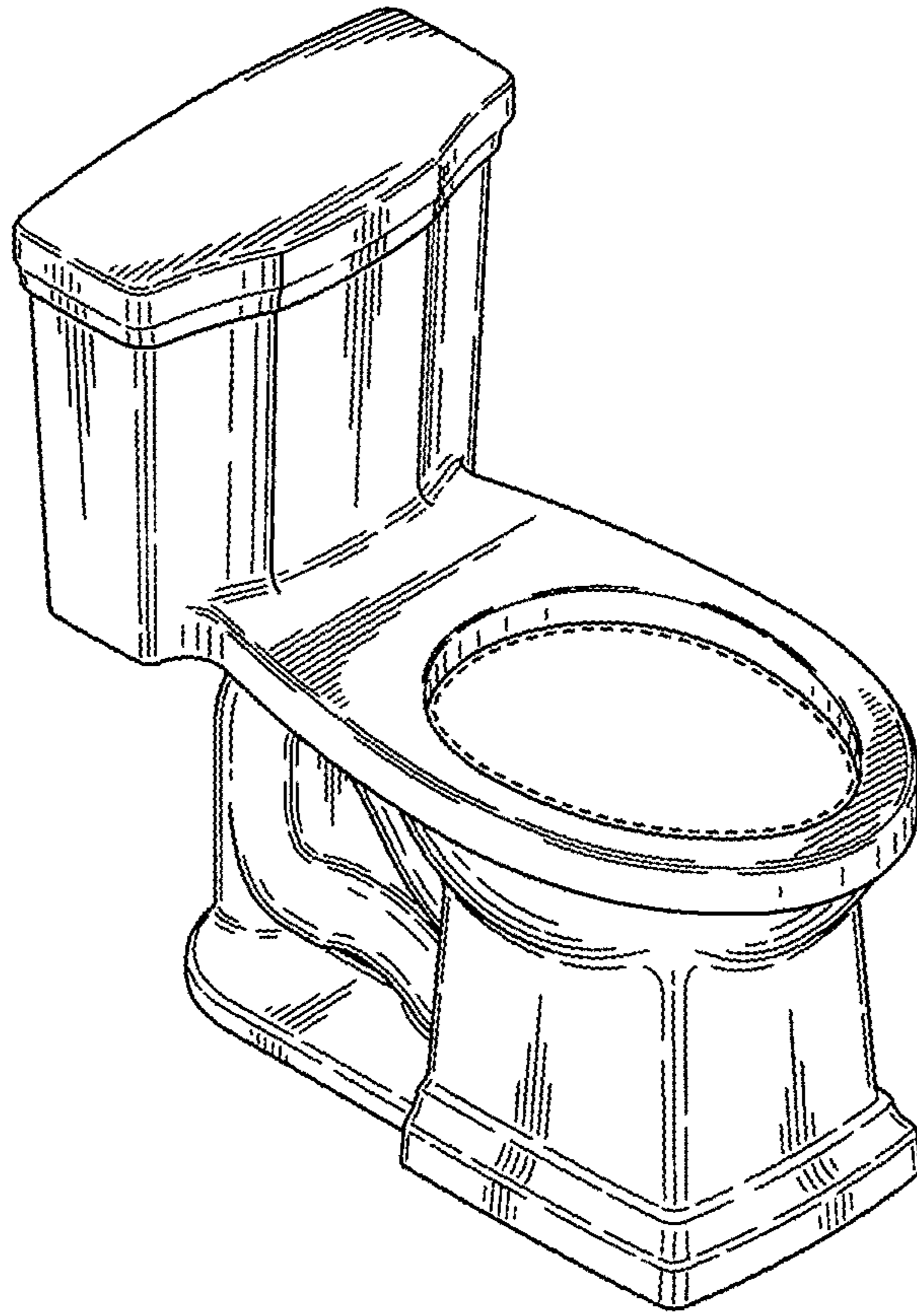
**DESCRIPTION**

FIG. 1 is a perspective view of a first embodiment of a water closet showing our new design;  
FIG. 2 is a front view thereof;  
FIG. 3 is a rear view thereof;  
FIG. 4 is a left side view thereof;  
FIG. 5 is a right side view thereof;  
FIG. 6 is a top view thereof;  
FIG. 7 is a bottom view thereof;  
FIG. 8 is a perspective view of a second embodiment of a water closet showing our new design;  
FIG. 9 is a front view thereof;  
FIG. 10 is a rear view thereof;  
FIG. 11 is a left side view thereof;  
FIG. 12 is a right side view thereof;  
FIG. 13 is a top view thereof; and,  
FIG. 14 is a bottom view thereof.

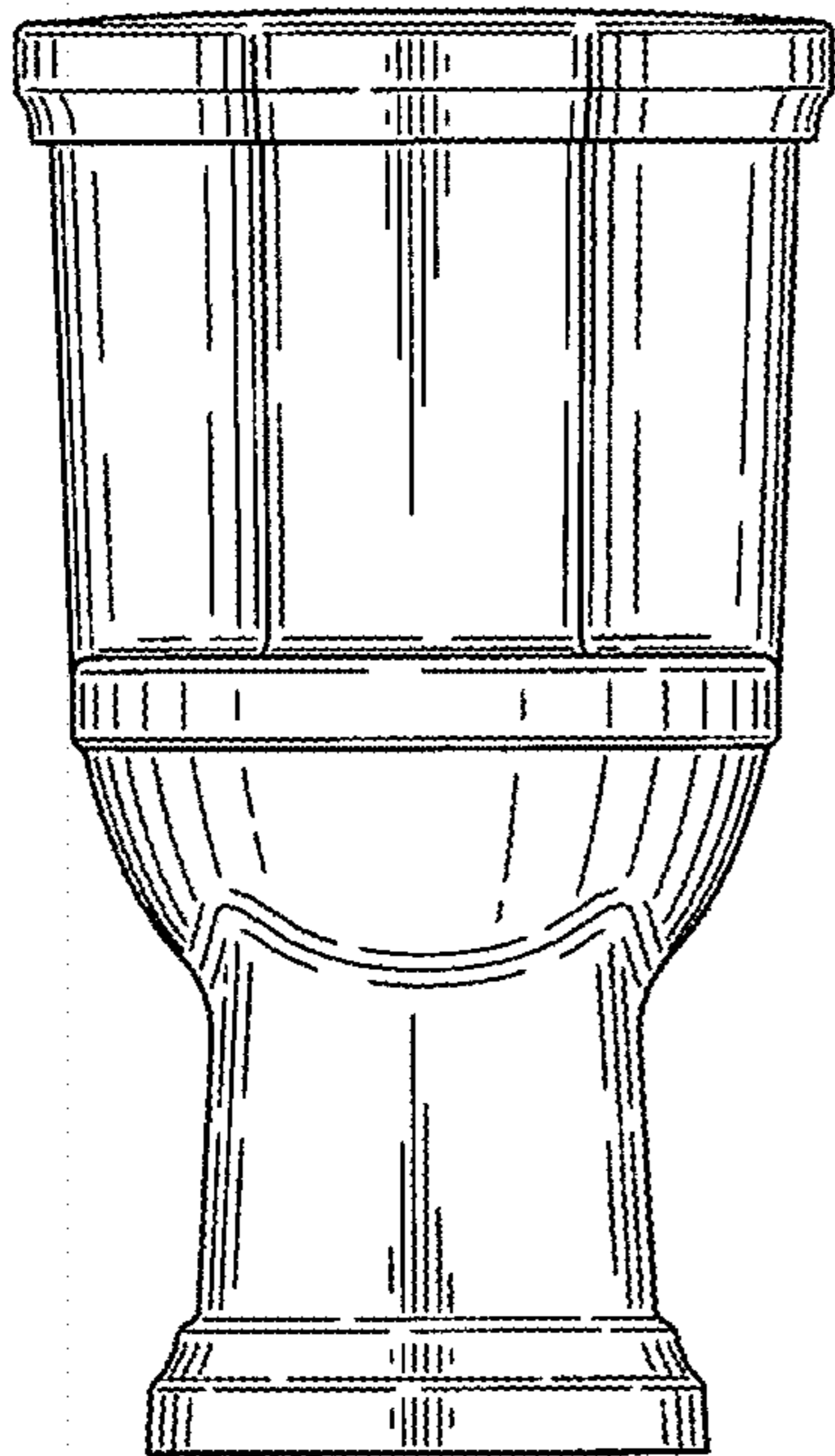
The broken lines represent the unclaimed portions of the water closet and form no part of the claimed design.

**1 Claim, 8 Drawing Sheets**

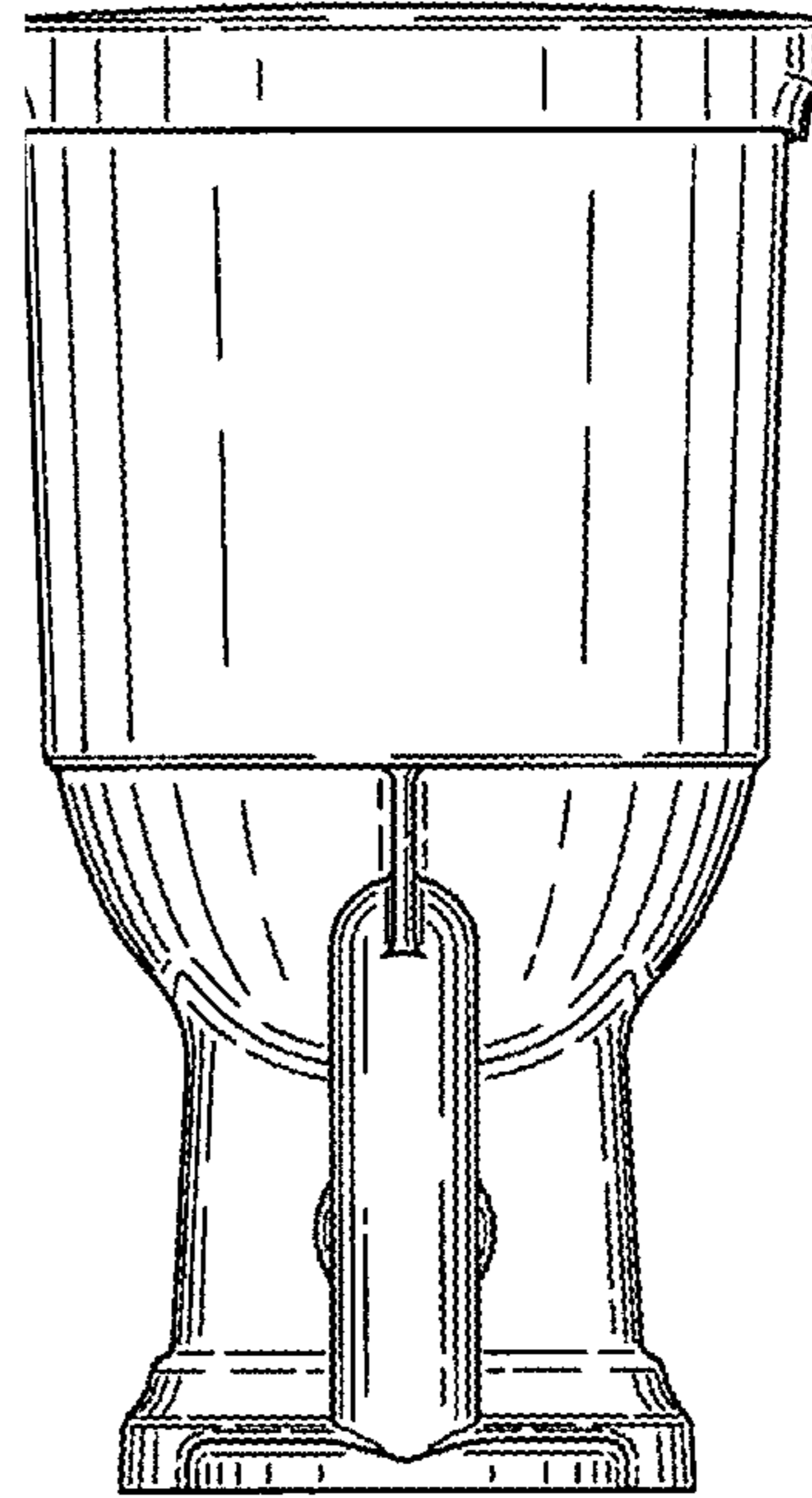




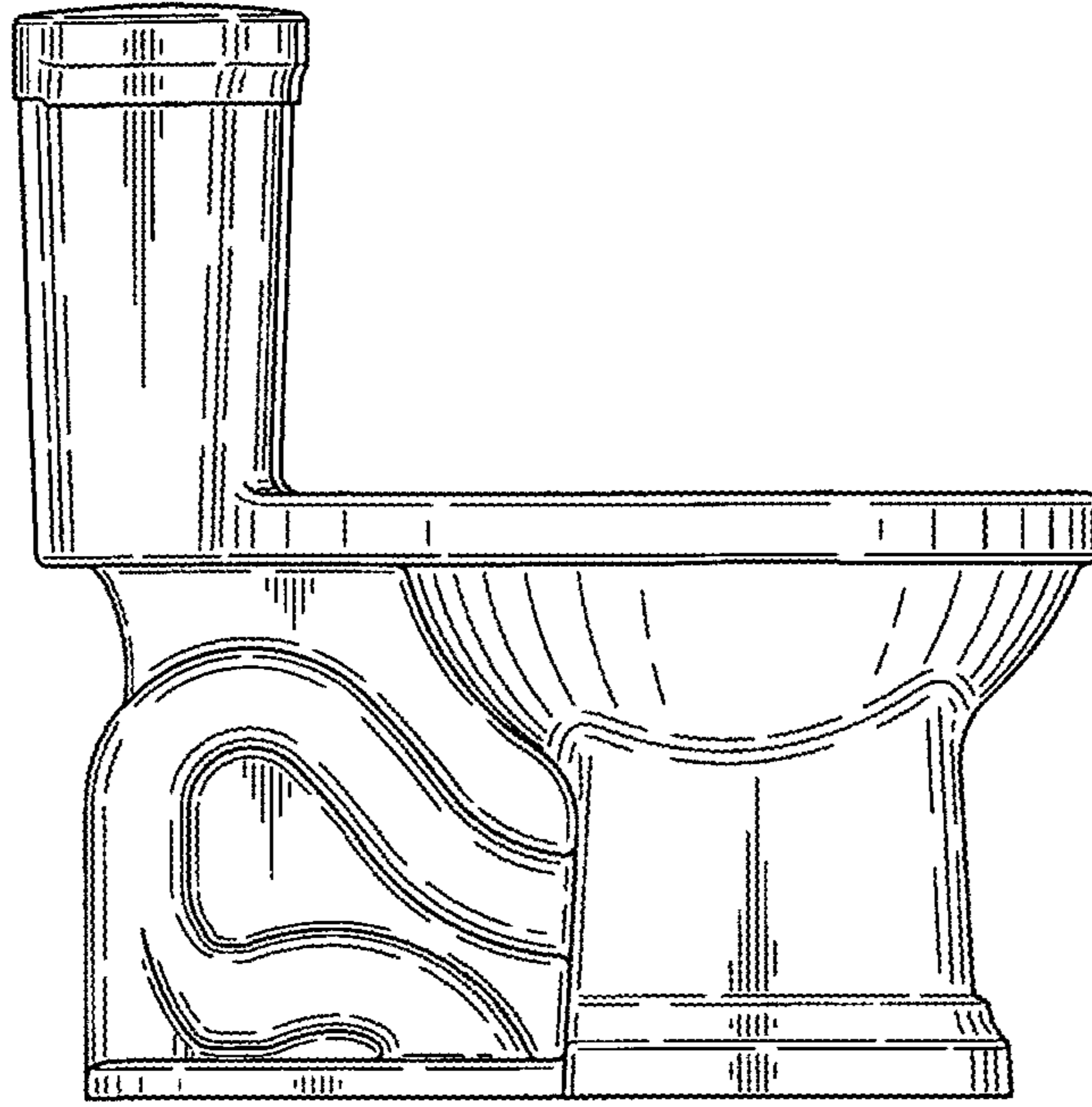
*FIG. 1*



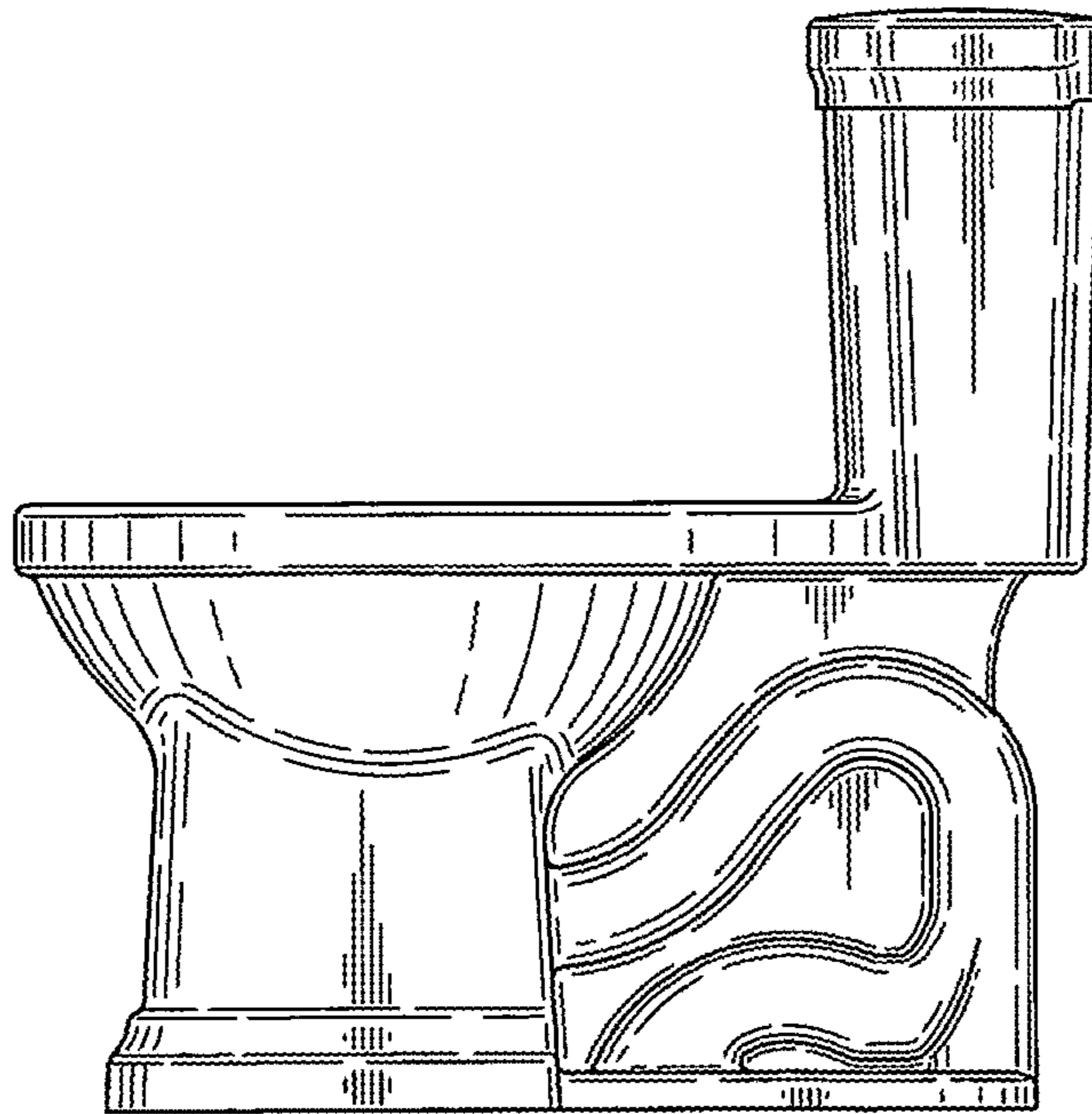
*FIG. 2*



*FIG. 3*



*FIG. 4*



*FIG. 5*



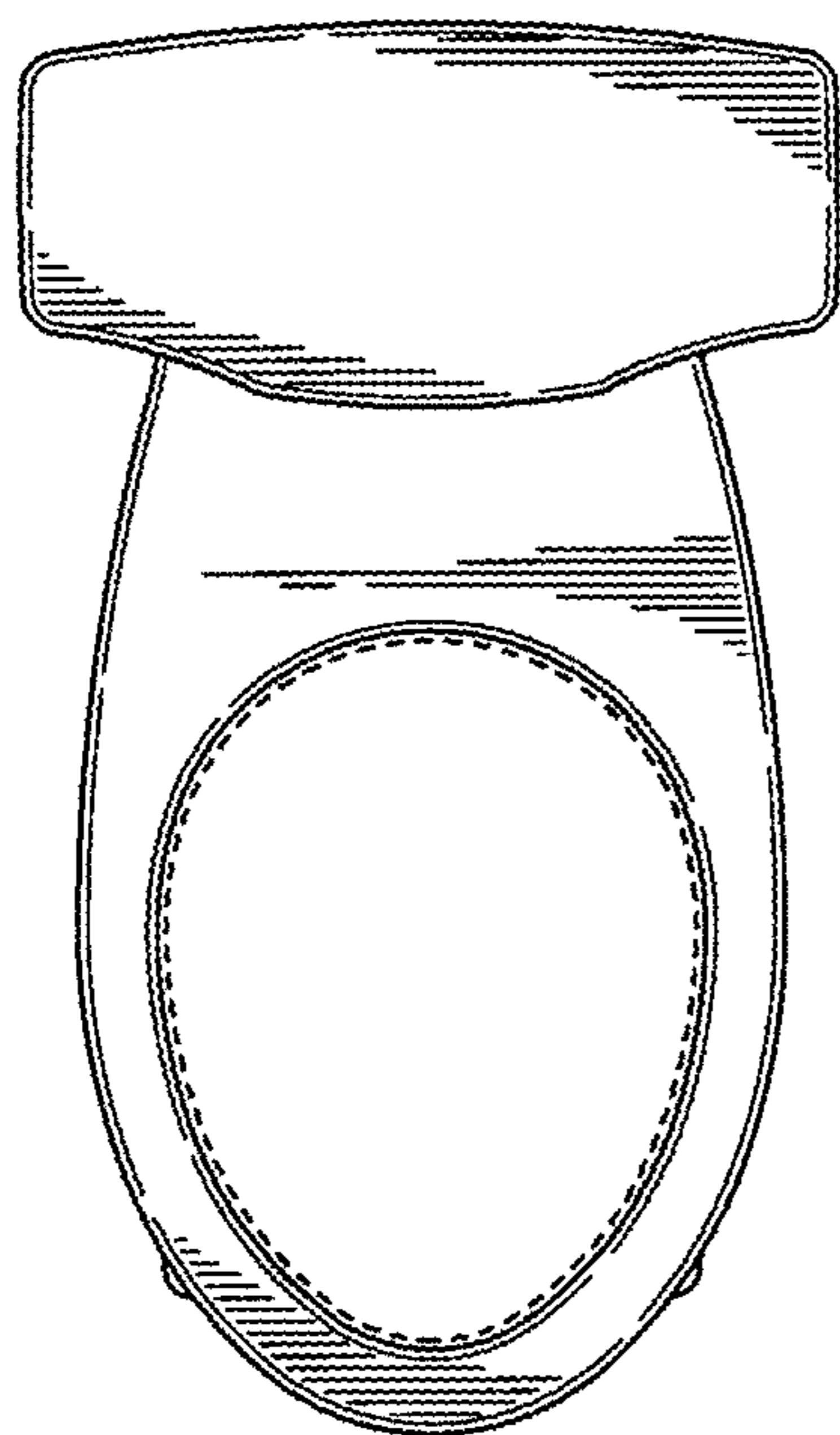


FIG. 6

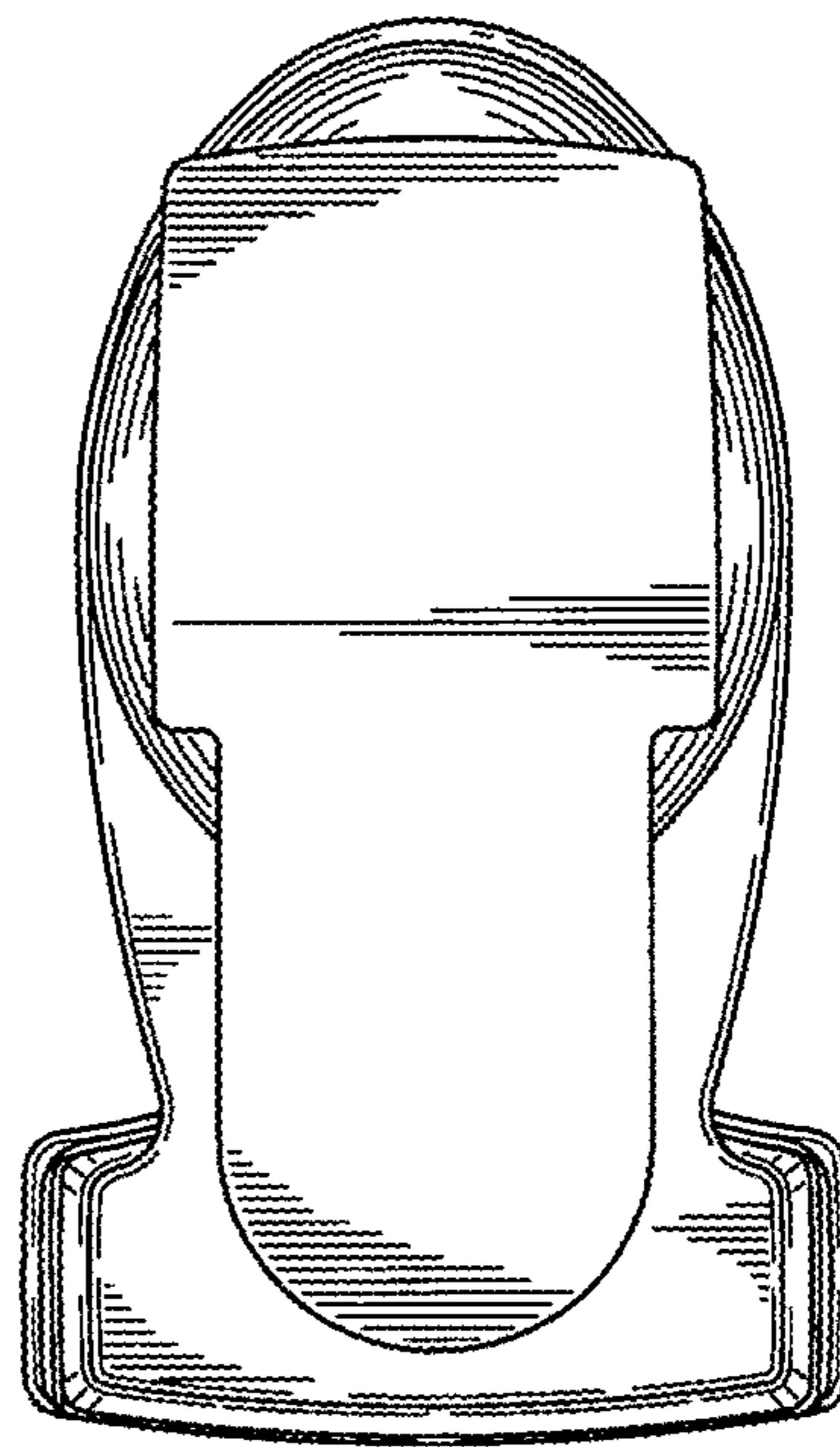
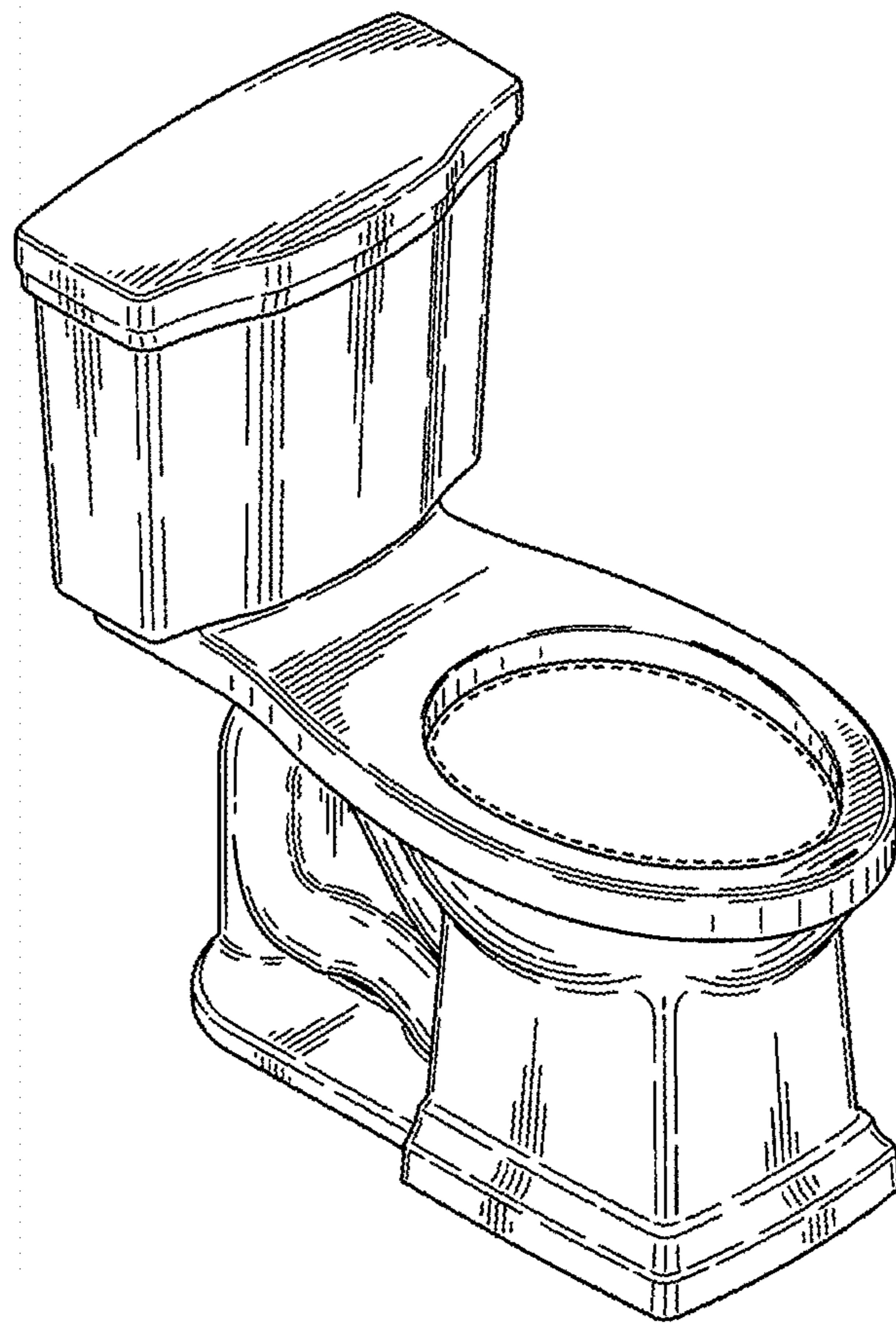
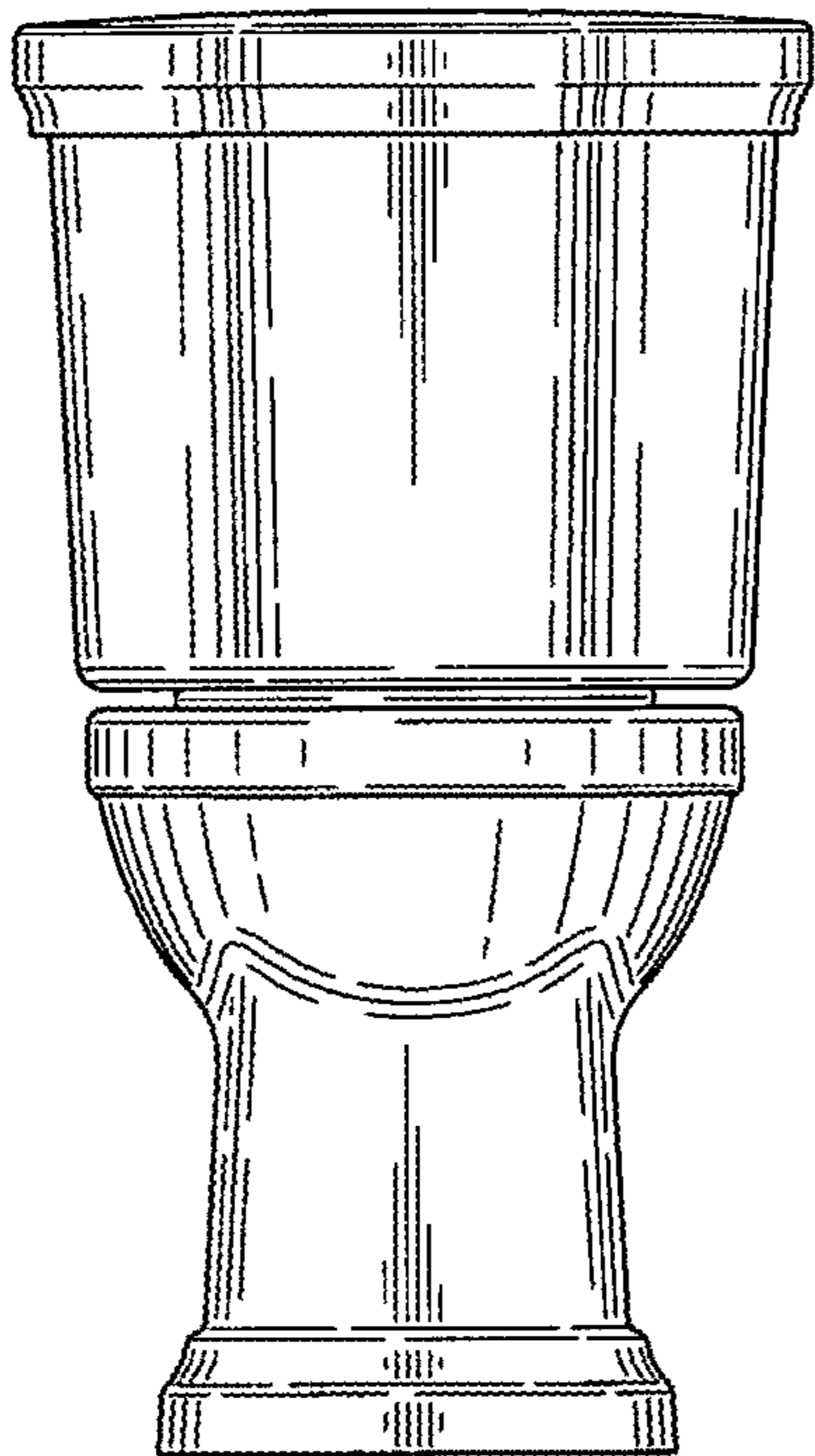


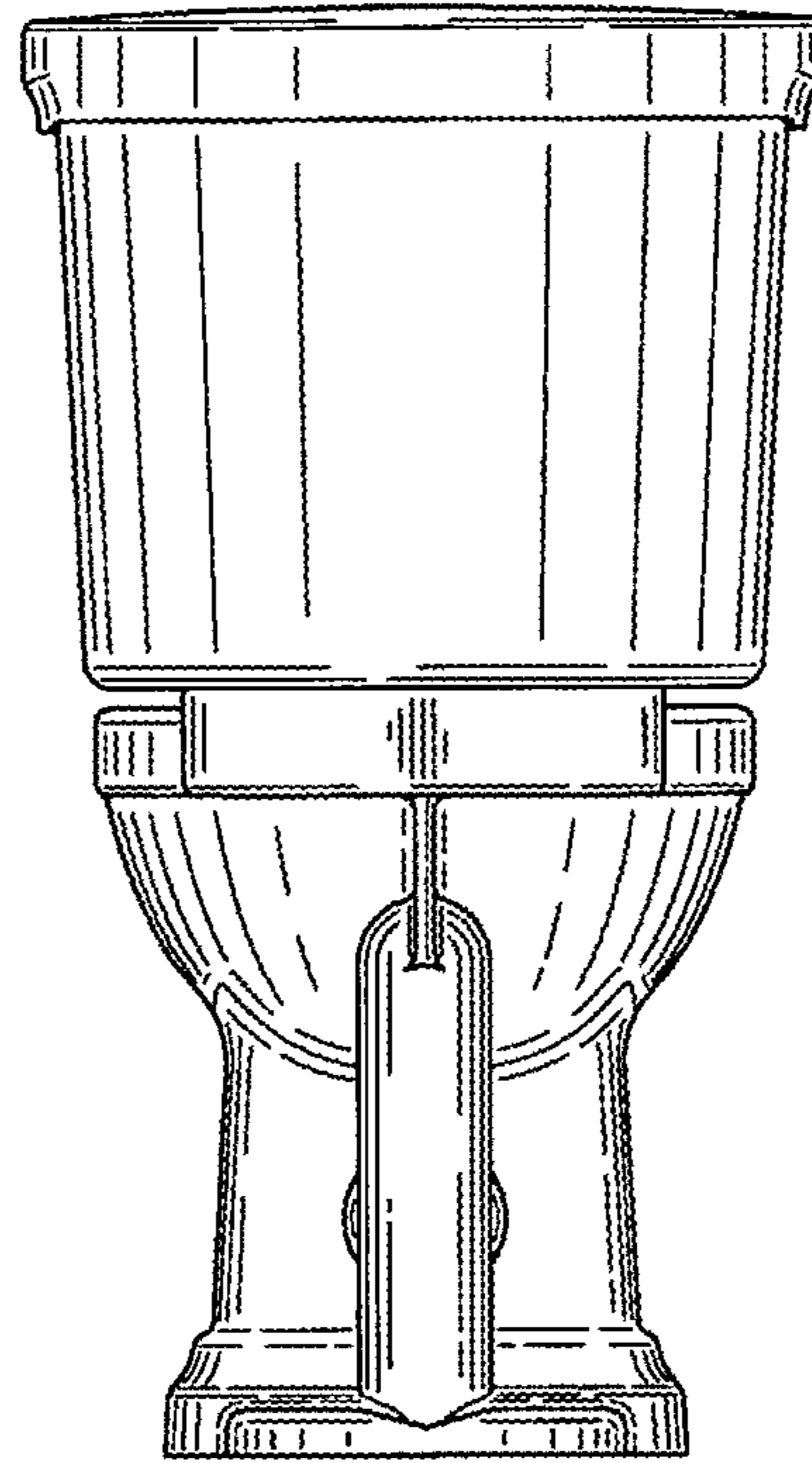
FIG. 7



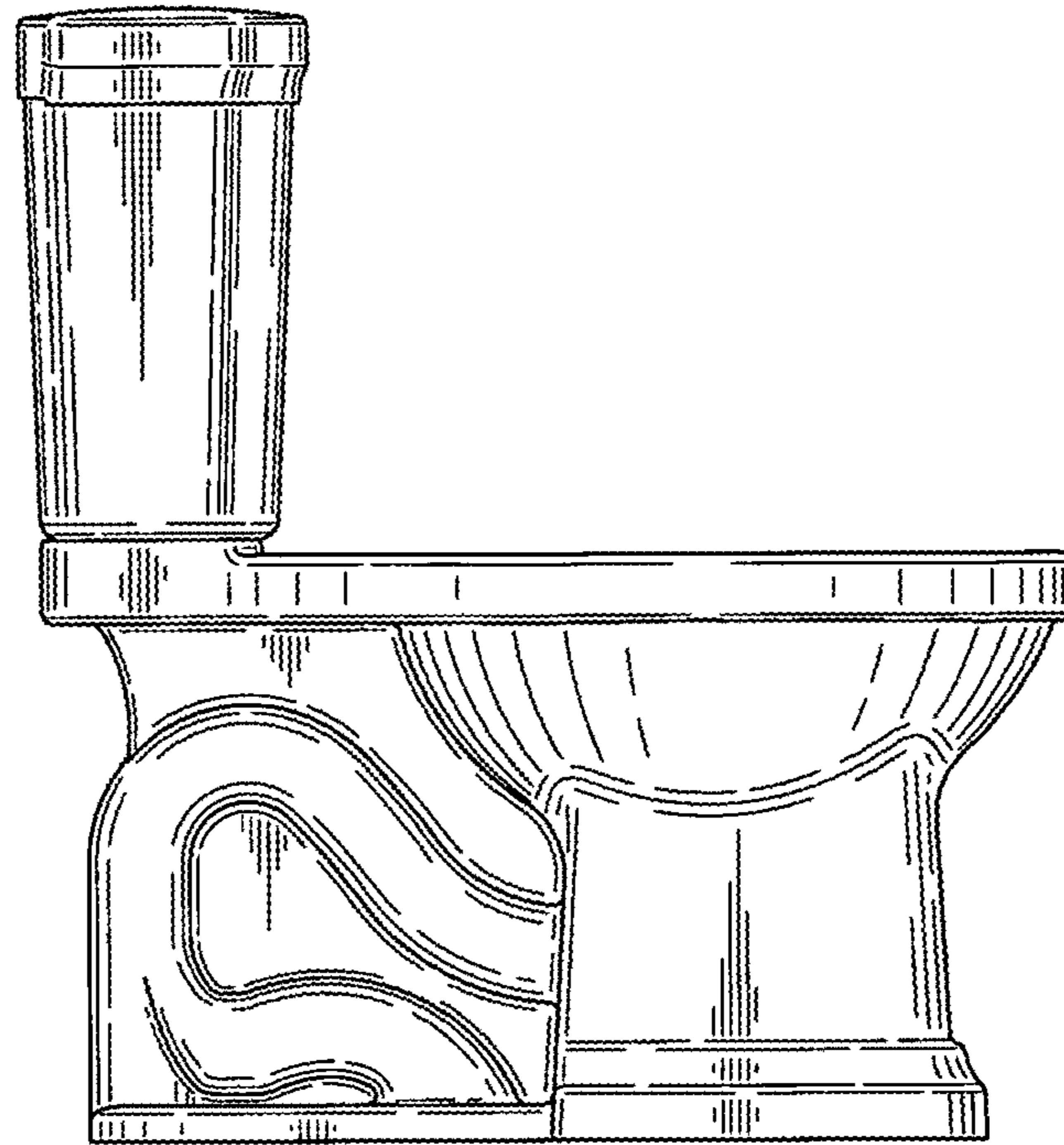
**FIG. 8**



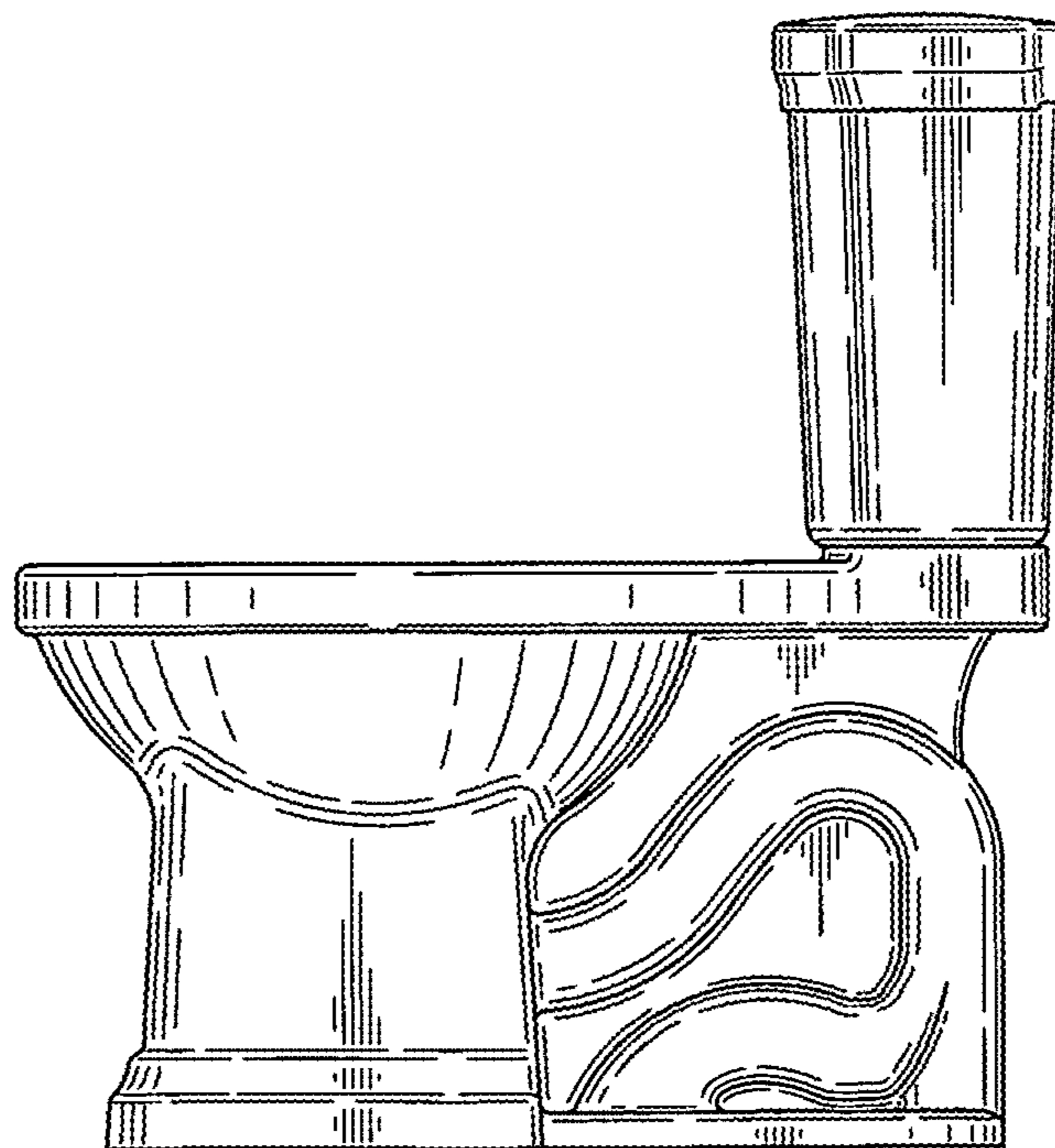
*FIG. 9*



*FIG. 10*



*FIG. 11*



*FIG. 12*



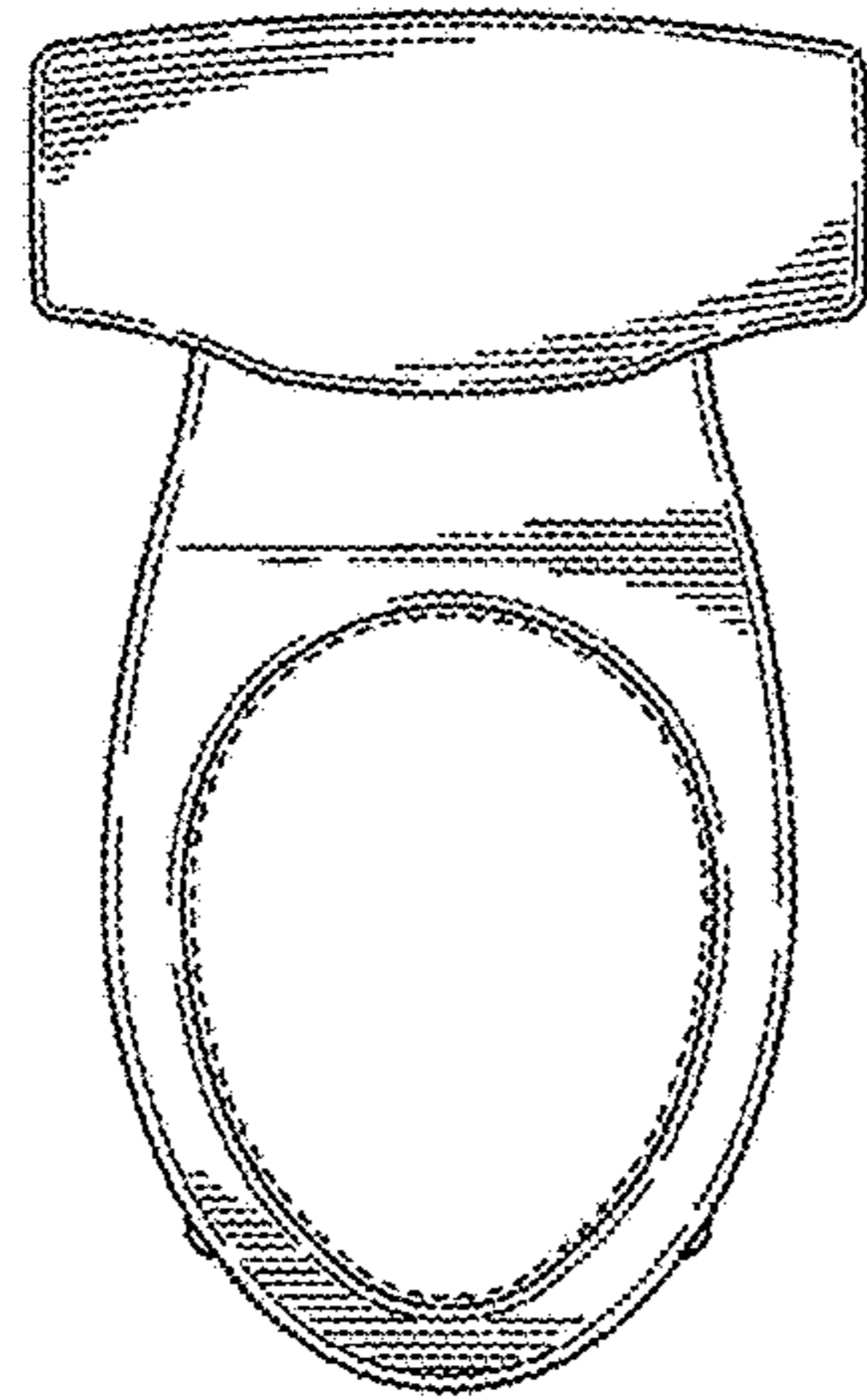


FIG. 13

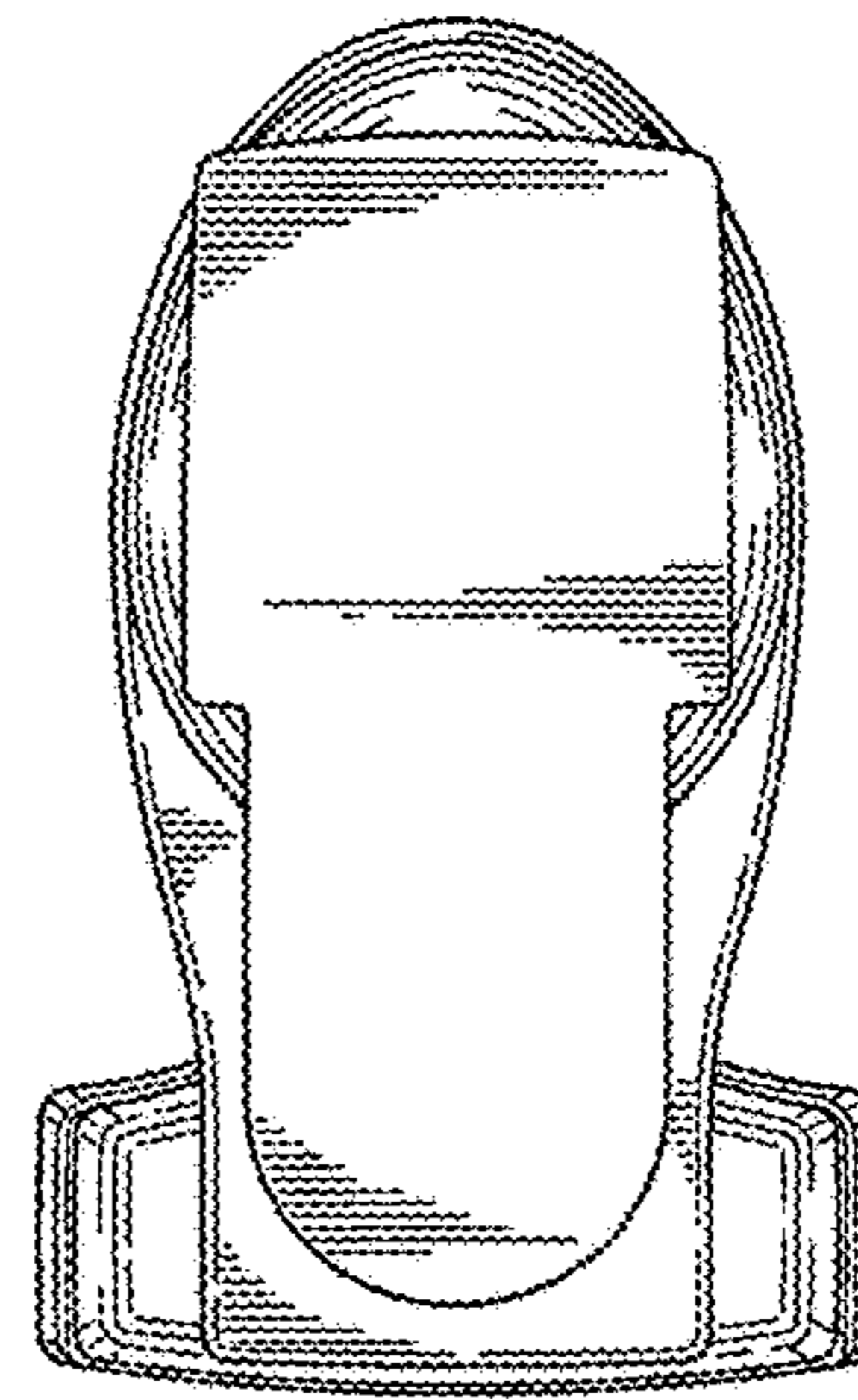


FIG. 14