



US00D792563S

(12) **United States Design Patent**
Coronado et al.

(10) **Patent No.:** **US D792,563 S**

(45) **Date of Patent:** **** *Jul. 18, 2017**

(54) **UNIVERSAL HEIGHT ABSORBING TOILET SEAL WITH TAPERED SLEEVE**

(71) Applicant: **Coflex S.A. de C.V.**, Monterrey, Nuevo Leon (MX)

(72) Inventors: **Eduardo Coronado**, Nuevo Leon (MX); **Pedro Gonzalez**, Nuevo Leon (MX); **Adam Robert Sampson**, Ramona, CA (US); **Tuan Van Le**, Fountain Valley, CA (US); **Krishnaditya Arkalgud**, Oceanside, CA (US)

(73) Assignee: **Coflex S.A. de C.V.**, Monterrey (MX)

(*) Notice: This patent is subject to a terminal disclaimer.

(**) Term: **15 Years**

(21) Appl. No.: **29/548,124**

(22) Filed: **Dec. 10, 2015**

(51) **LOC (10) Cl.** **23-01**

(52) **U.S. Cl.**
USPC **D23/269**

(58) **Field of Classification Search**
USPC D23/249, 259-260, 262, 265-266, 269, D23/303, 309; 277/351-354, 372, 504, 277/603, 606-609, 616, 626; 52/58, 199; 285/15, 95, 109, 133.21, 232, 351, 336, 285/910, 918; 4/252.1, 252.4
CPC E04D 13/14; E03D 11/16; E03D 11/00; F16L 5/02; F16L 5/08; F16L 5/10
See application file for complete search history.

(56) **References Cited**

U.S. PATENT DOCUMENTS

4,052,759 A * 10/1977 Hill E03D 11/16
285/56
5,377,361 A * 1/1995 Piskula E03D 11/16
138/90

6,085,362 A * 7/2000 Huber E03D 11/16
138/96 R
D631,066 S * 1/2011 Itadani D15/9
8,099,801 B2 * 1/2012 Hughes E03D 11/16
285/56
8,910,321 B2 * 12/2014 Coronado E03D 11/14
285/58
D728,758 S * 5/2015 Coronado D23/269
D728,759 S * 5/2015 Gonzalez D23/269
D730,498 S * 5/2015 Gonzalez D23/269

(Continued)

Primary Examiner — Eric Goodman

Assistant Examiner — Amy Wierenga

(74) *Attorney, Agent, or Firm* — Baker & McKenzie LLP

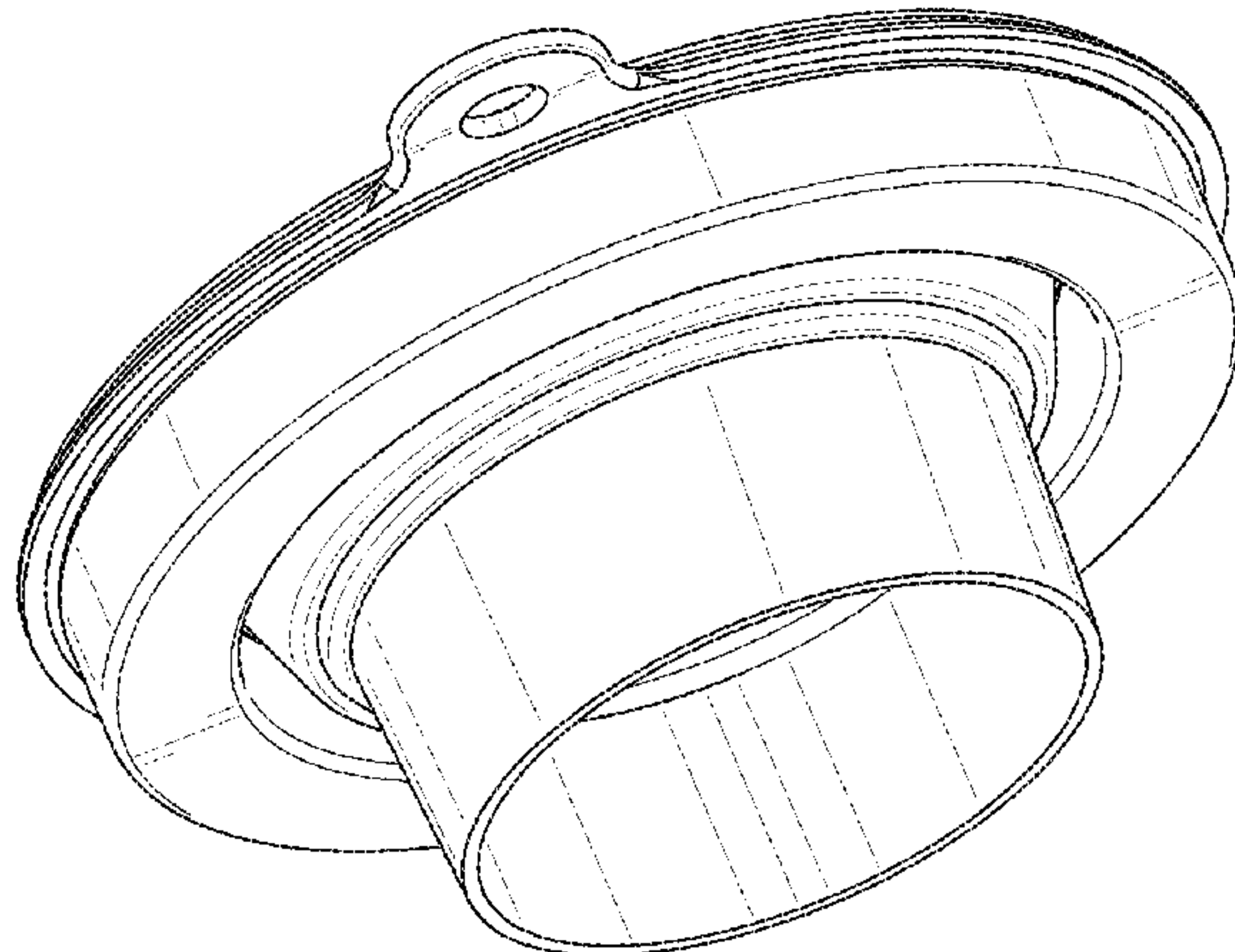
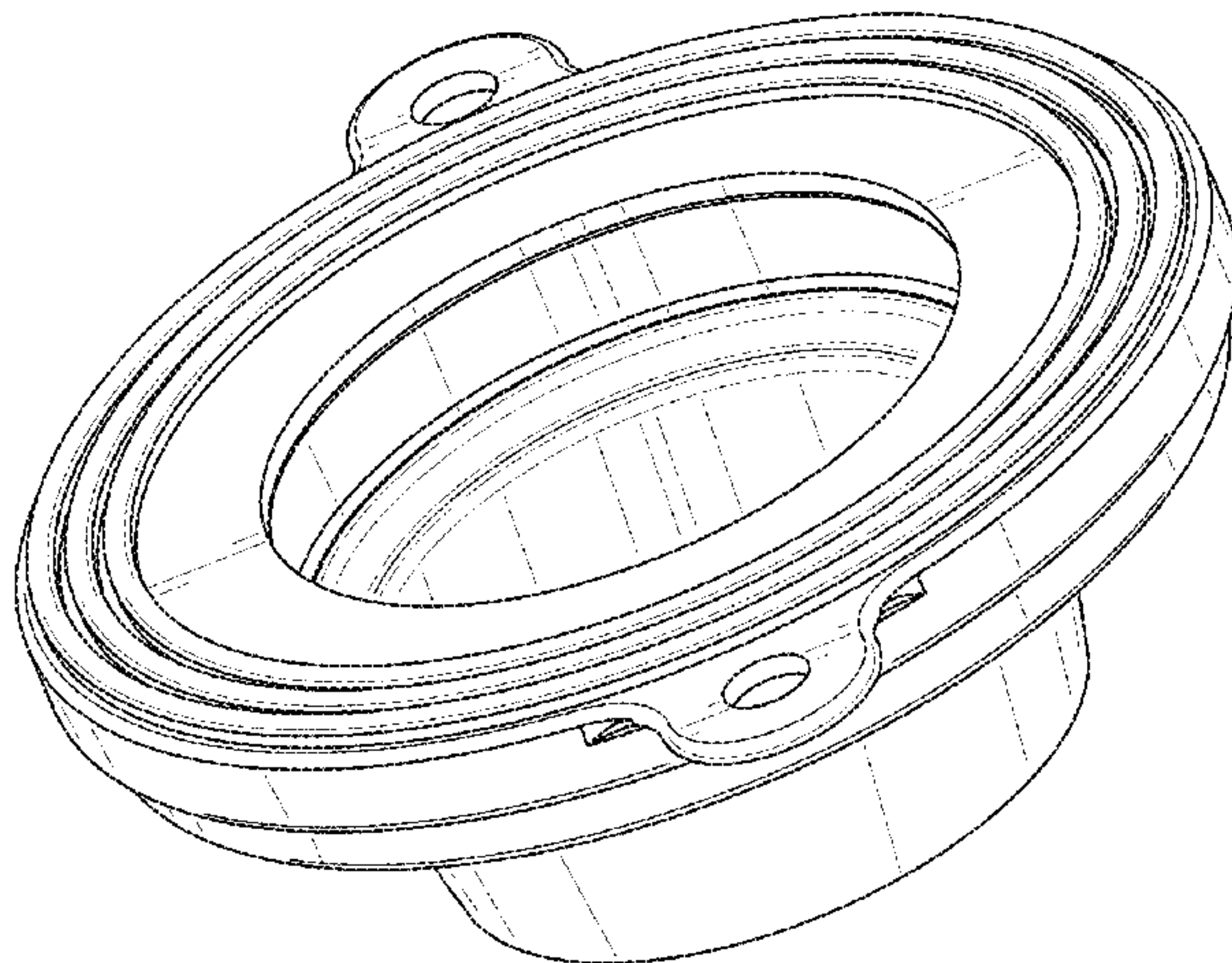
(57) **CLAIM**

The ornamental design for a universal height absorbing toilet seal with tapered sleeve, as shown and described.

DESCRIPTION

FIG. 1 is a top perspective view of a universal height absorbing toilet seal with tapered sleeve in accordance with my design;
FIG. 2 is a bottom perspective view of a universal height absorbing toilet seal with tapered sleeve thereof;
FIG. 3 is a front view of a universal height absorbing toilet seal with tapered sleeve thereof;
FIG. 4 is a back view of a universal height absorbing toilet seal with tapered sleeve thereof;
FIG. 5 is a side view of a universal height absorbing toilet seal with tapered sleeve thereof;
FIG. 6 is an opposite side view of a universal height absorbing toilet seal with tapered sleeve thereof;
FIG. 7 is a top view of a universal height absorbing toilet seal with tapered sleeve thereof; and,
FIG. 8 is a bottom view of a universal height absorbing toilet seal with tapered sleeve thereof.

1 Claim, 8 Drawing Sheets



(56)

References Cited

U.S. PATENT DOCUMENTS

2003/0093855 A1* 5/2003 Rendell E03D 11/17
4/252.4
2005/0138722 A1* 6/2005 Humber E03D 11/16
4/252.1
2015/0292190 A1* 10/2015 Coronado E03D 11/16
4/252.6
2015/0376887 A1* 12/2015 Coronado E03D 11/16
29/890.141
2016/0312458 A1* 10/2016 Mehari E03D 11/16

* cited by examiner

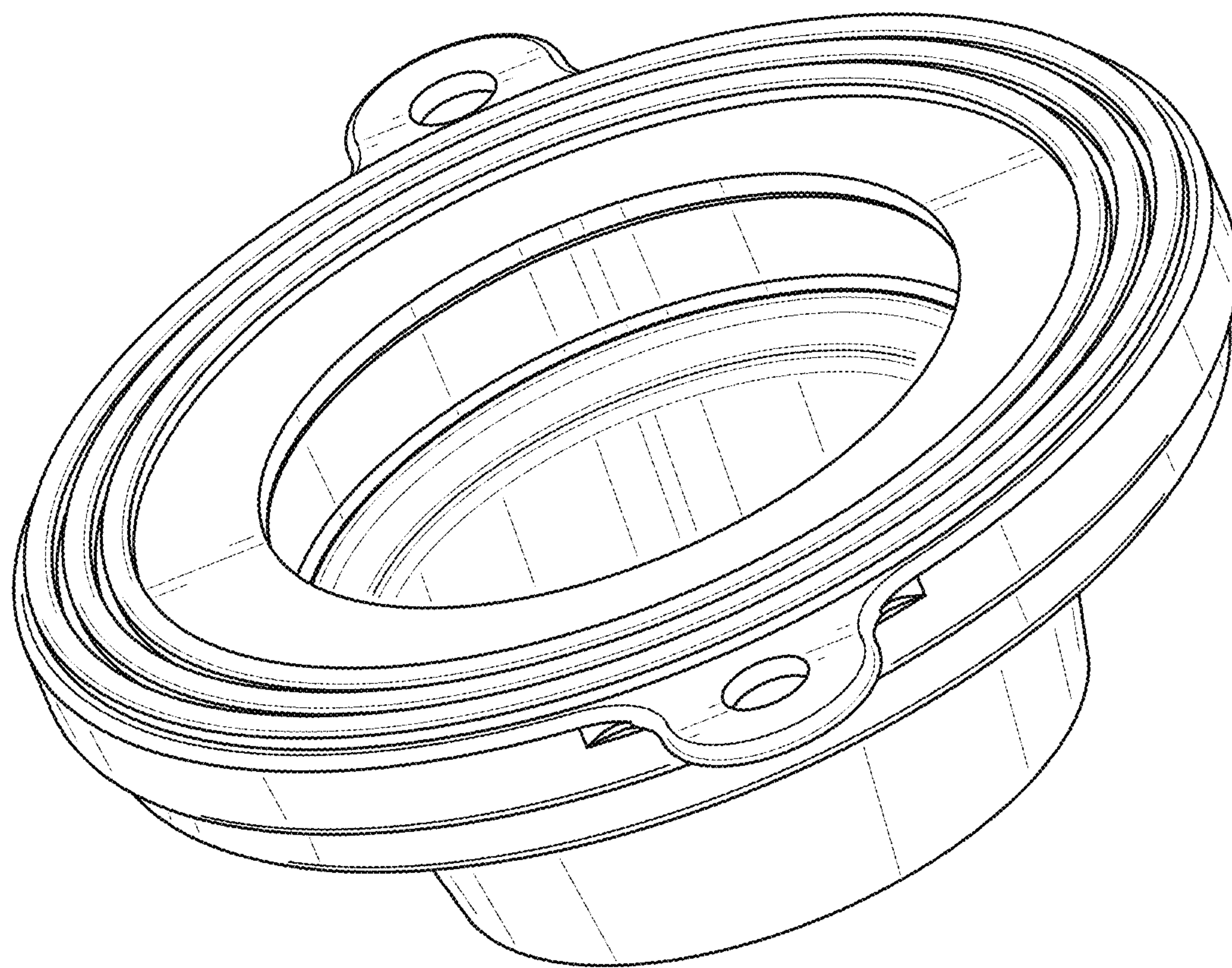


FIG. 1

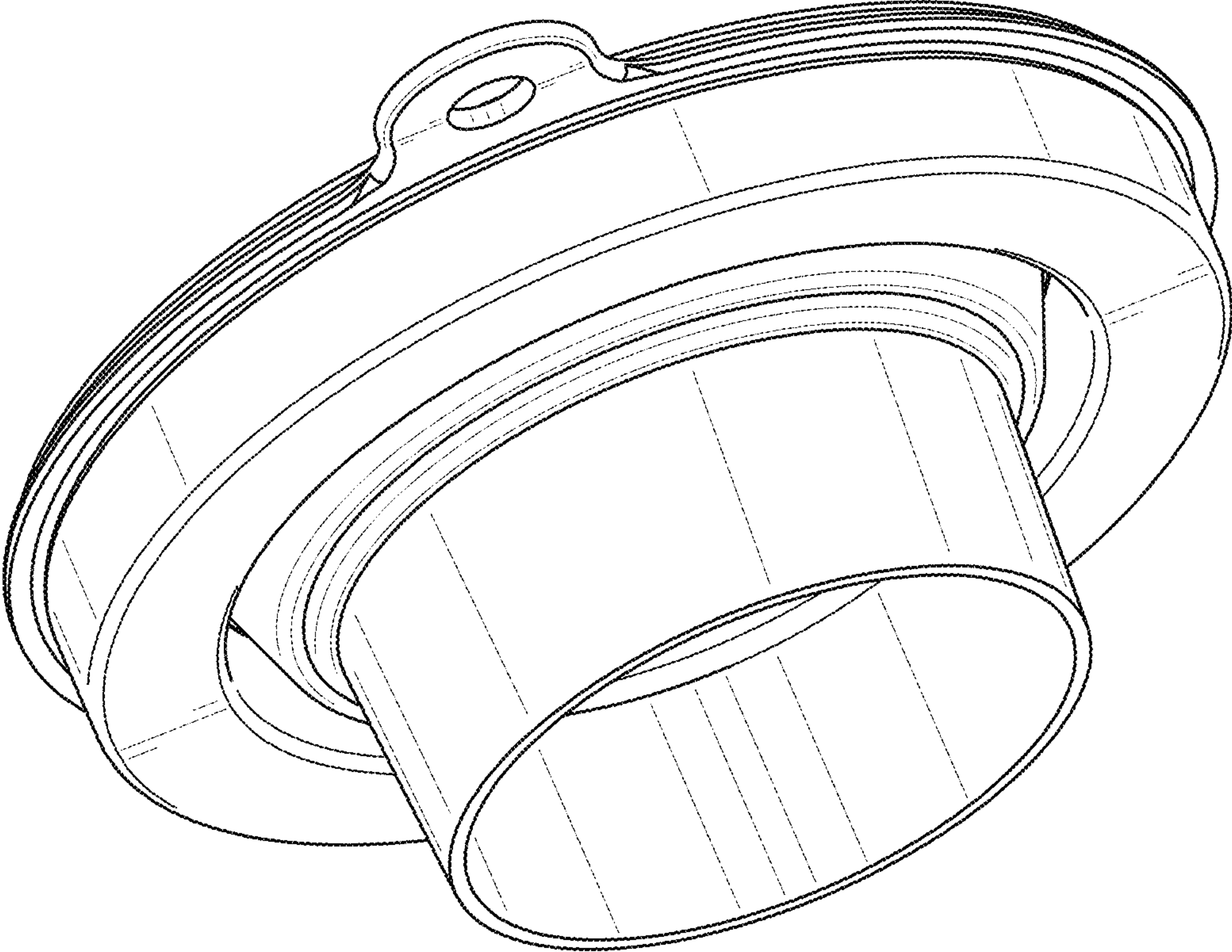


FIG. 2

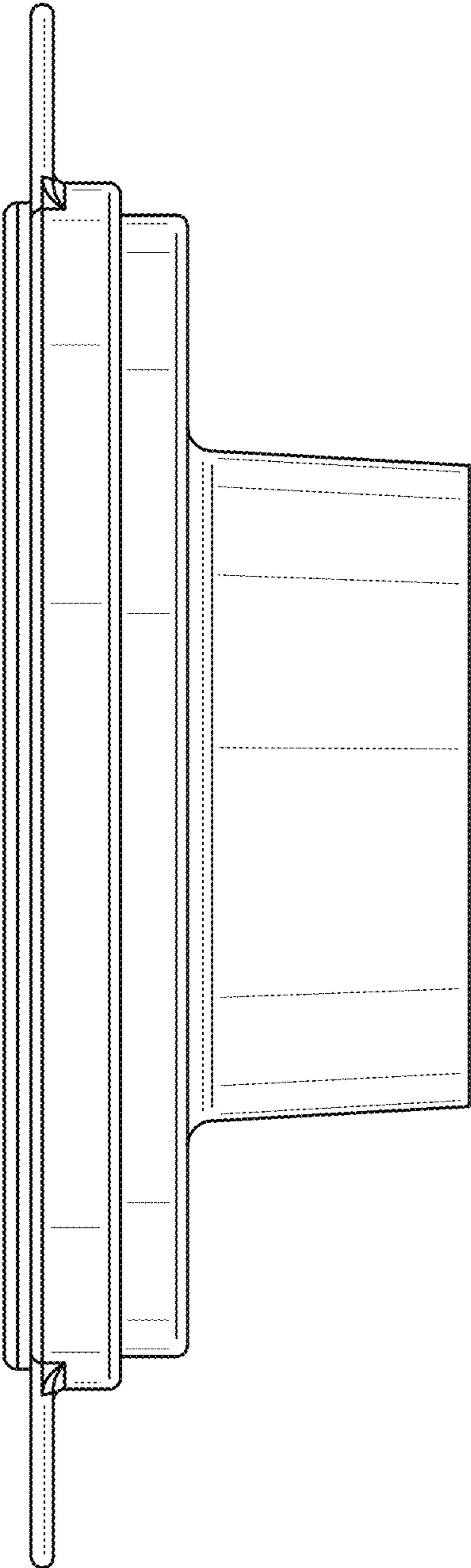


FIG. 3

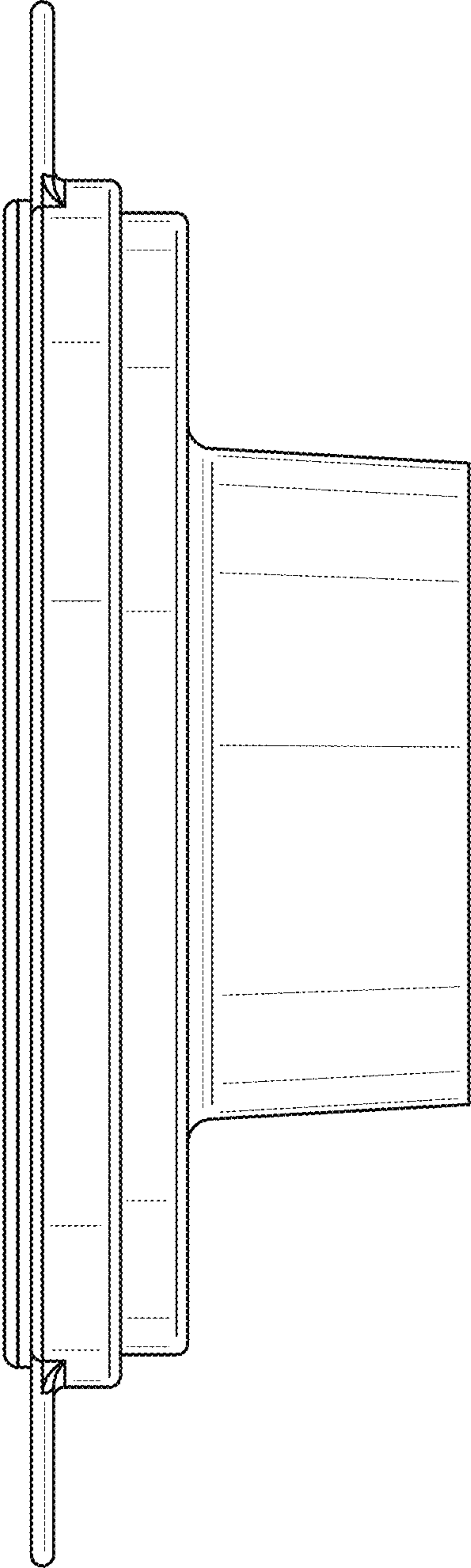


FIG. 4

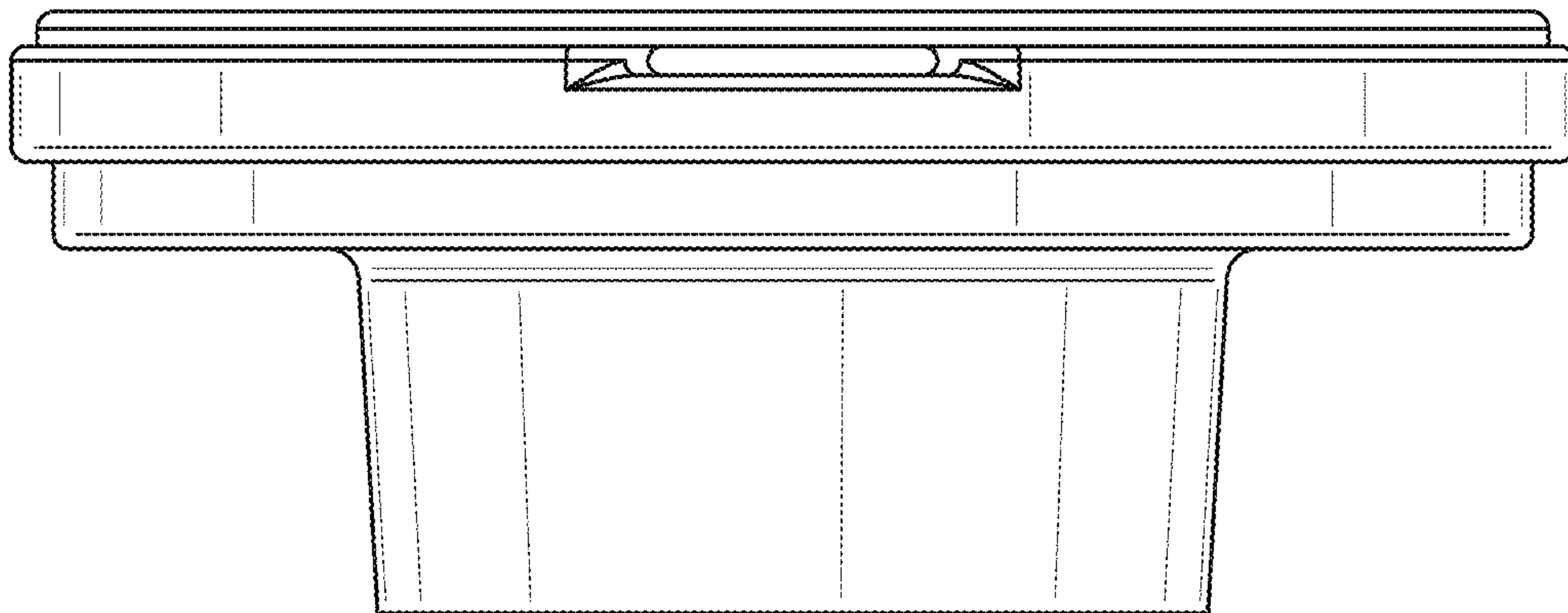


FIG. 5

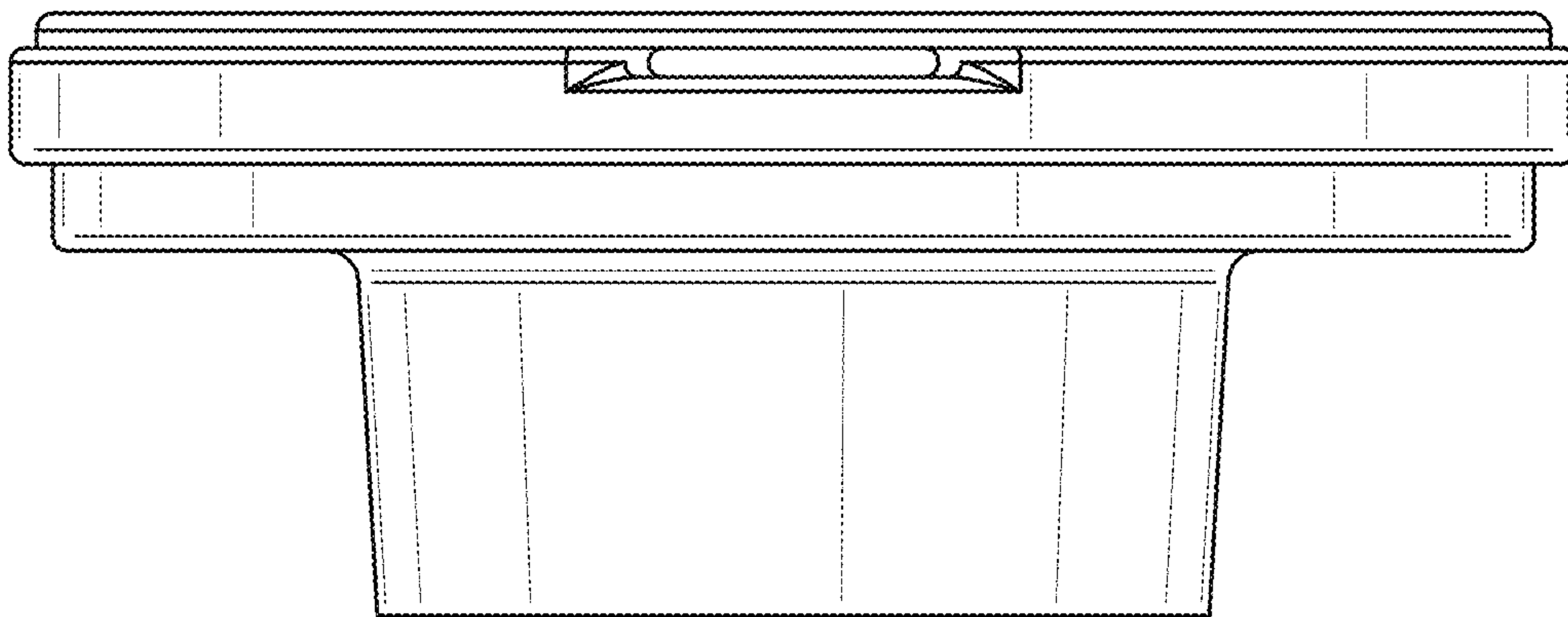


FIG. 6

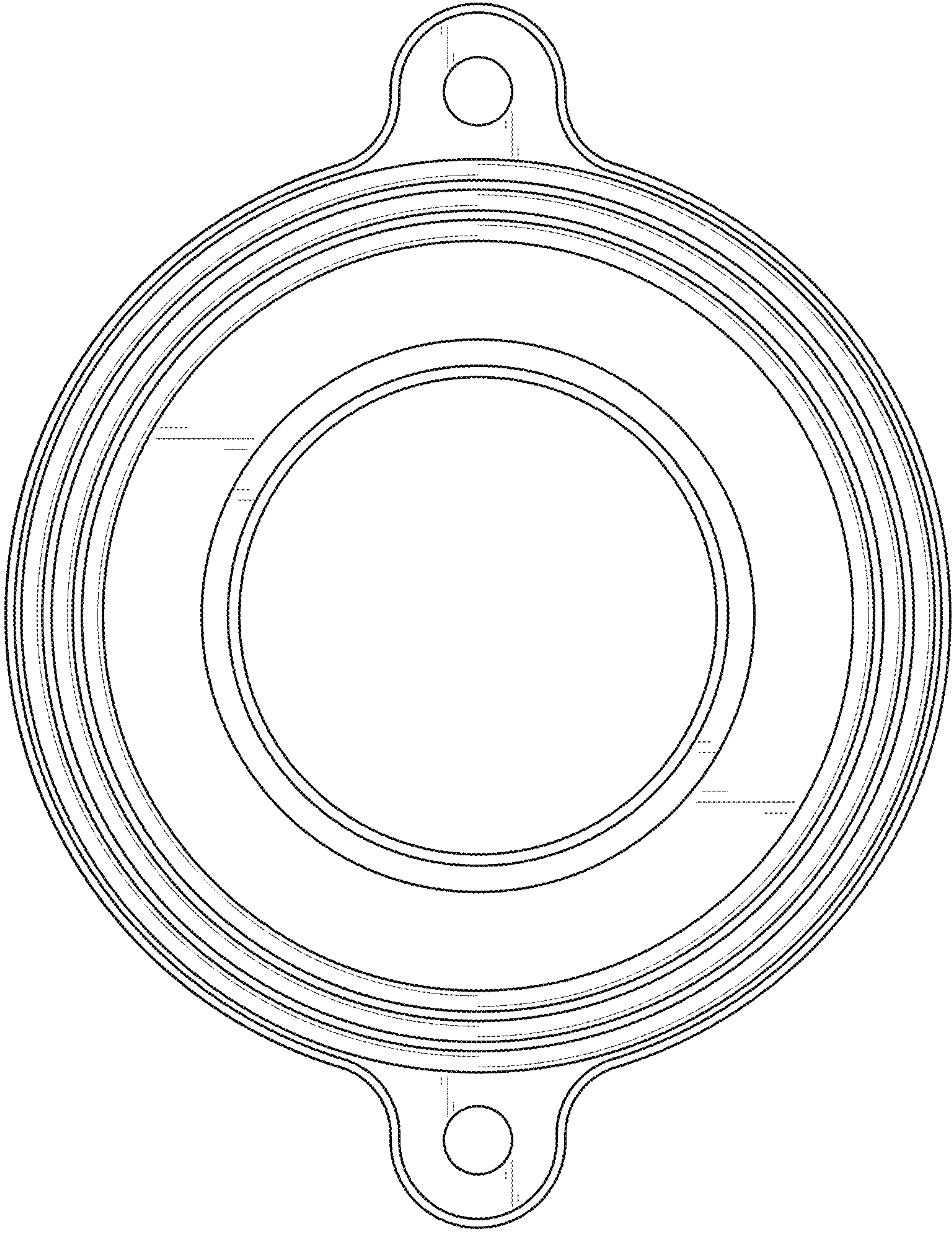


FIG. 7

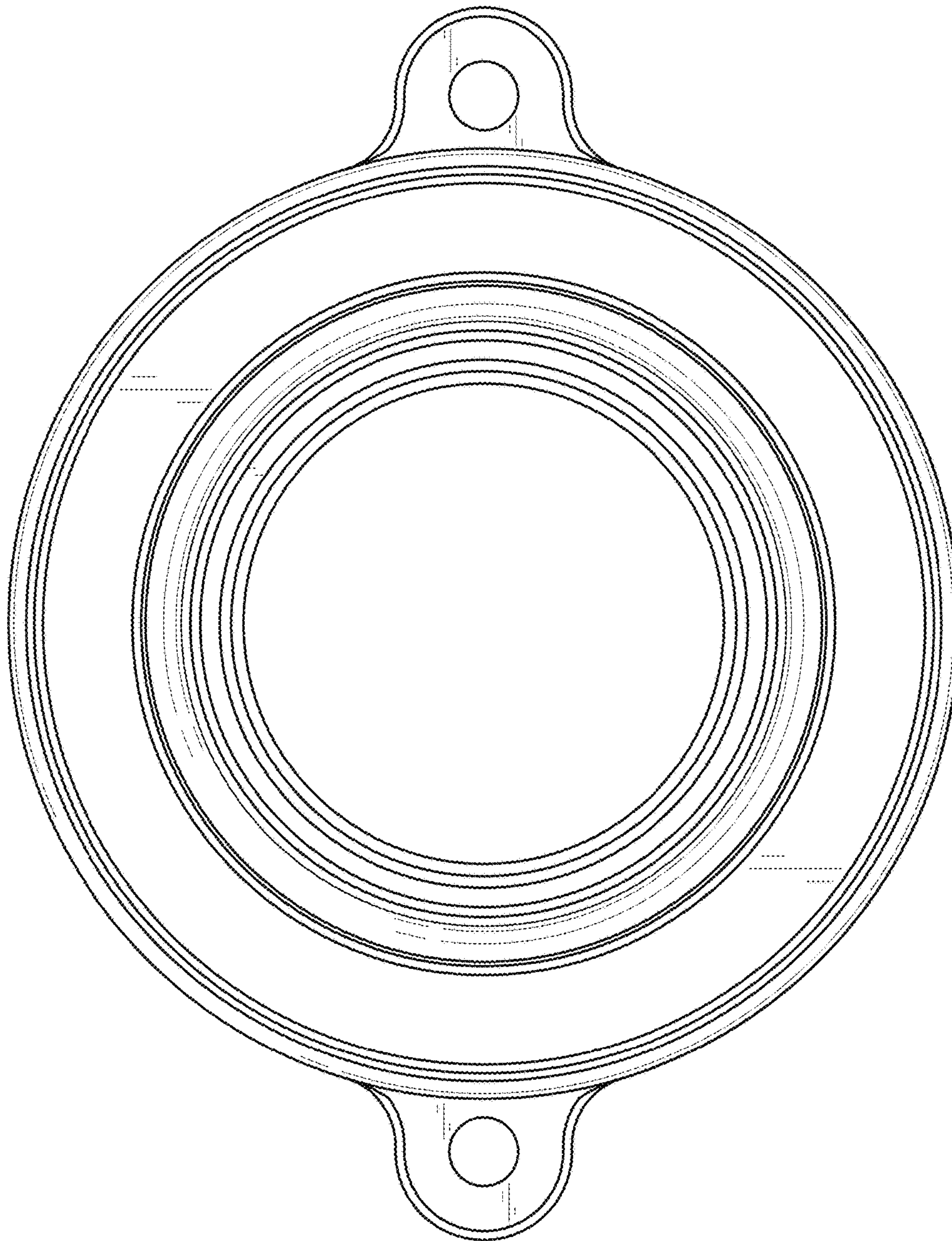


FIG. 8