



US00D792562S

(12) **United States Design Patent** (10) **Patent No.:** **US D792,562 S**  
**Ali** (45) **Date of Patent:** **\*\* Jul. 18, 2017**

(54) **DRAIN STRAINER BASKET** 3,911,508 A \* 10/1975 Goldberg ..... A47K 1/14  
4/287  
(71) Applicant: **Naushad Ali**, Woodinville, WA (US) 4,045,351 A \* 8/1977 Peterson ..... B01D 35/02  
210/238  
(72) Inventor: **Naushad Ali**, Woodinville, WA (US) 4,207,631 A \* 6/1980 Baggey ..... E03C 1/264  
210/238  
(\*\*) Term: **14 Years** 4,276,662 A \* 7/1981 Young ..... A47K 1/14  
4/287

(Continued)

(21) Appl. No.: **29/501,892**

(22) Filed: **Sep. 9, 2014**

(51) **LOC (10) Cl.** ..... **23-01**

(52) **U.S. Cl.**  
USPC ..... **D23/261**

(58) **Field of Classification Search**  
USPC ..... D23/259-266; D6/524, 525; D7/667  
CPC .. A47K 1/14; E03C 1/262; E03C 1/22; E03C  
1/264; E02B 8/026; E03F 5/14; E03F  
5/0404; B02C 18/0092  
See application file for complete search history.

(56) **References Cited**

**U.S. PATENT DOCUMENTS**

769,001 A \* 8/1904 Lawrence et al. .... E03C 1/264  
4/291  
1,756,290 A \* 4/1930 Hibner ..... E03C 1/264  
4/289  
1,770,639 A \* 7/1930 Sanders ..... E03C 1/23  
4/286  
2,285,833 A \* 6/1942 Platt ..... E03C 1/264  
210/238  
2,331,055 A \* 10/1943 Smith ..... E03C 1/264  
4/291  
2,337,331 A \* 12/1943 Kirschner ..... E03C 1/262  
4/287  
2,698,441 A \* 1/1955 Shobe ..... E03C 1/264  
4/287  
3,333,815 A \* 8/1967 Jones ..... E03C 1/23  
251/230  
3,596,294 A \* 8/1971 Hoffman ..... A47K 1/14  
4/287  
3,802,001 A \* 4/1974 Richards ..... E03C 1/262  
4/286

**FOREIGN PATENT DOCUMENTS**

JP 2008-25276 A 2/2008  
KR 20-0403195 Y1 12/2005  
KR 10-2010-0065614 A 6/2010

*Primary Examiner* — John Windmuller  
*Assistant Examiner* — Steven Czyz  
(74) *Attorney, Agent, or Firm* — Seed IP Law Group LLP

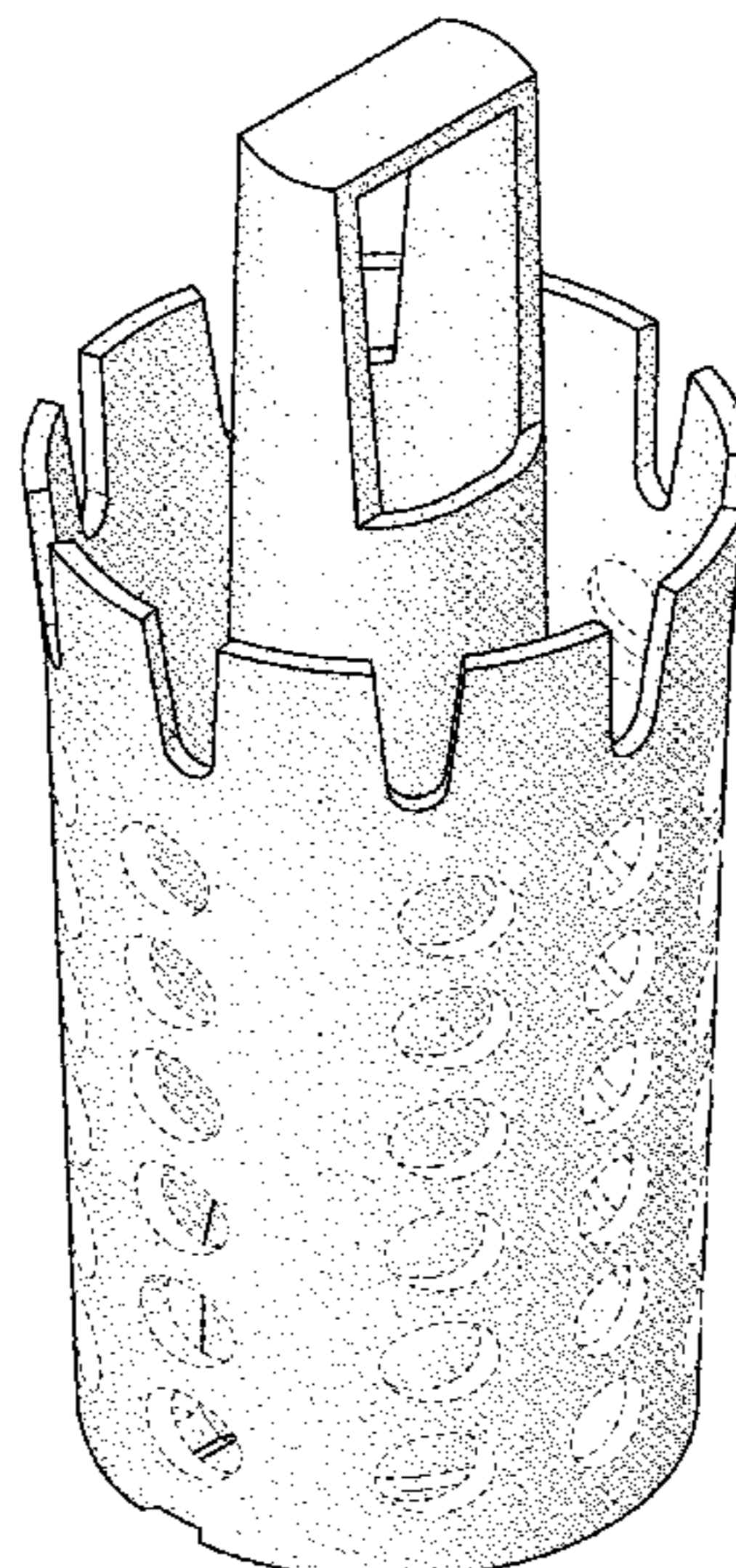
(57) **CLAIM**

The ornamental design for a drain strainer basket, as shown and described.

**DESCRIPTION**

FIG. 1 is an isometric top view of a drain strainer basket showing my new design.  
FIG. 2 is an isometric bottom view thereof.  
FIG. 3 is a front elevational view thereof.  
FIG. 4 is a back elevational view thereof.  
FIG. 5 is a left side elevational view thereof.  
FIG. 6 is a right side elevational view thereof.  
FIG. 7 is a top plan view thereof; and,  
FIG. 8 is a bottom plan view thereof.  
Shading shown in the figures is intended to represent the three-dimensional shape of the drain strainer basket, and is not intended to indicate surface decoration. The broken lines in the figures are for illustrative purposes only and form no part of the claimed design.

**1 Claim, 7 Drawing Sheets**



(56)

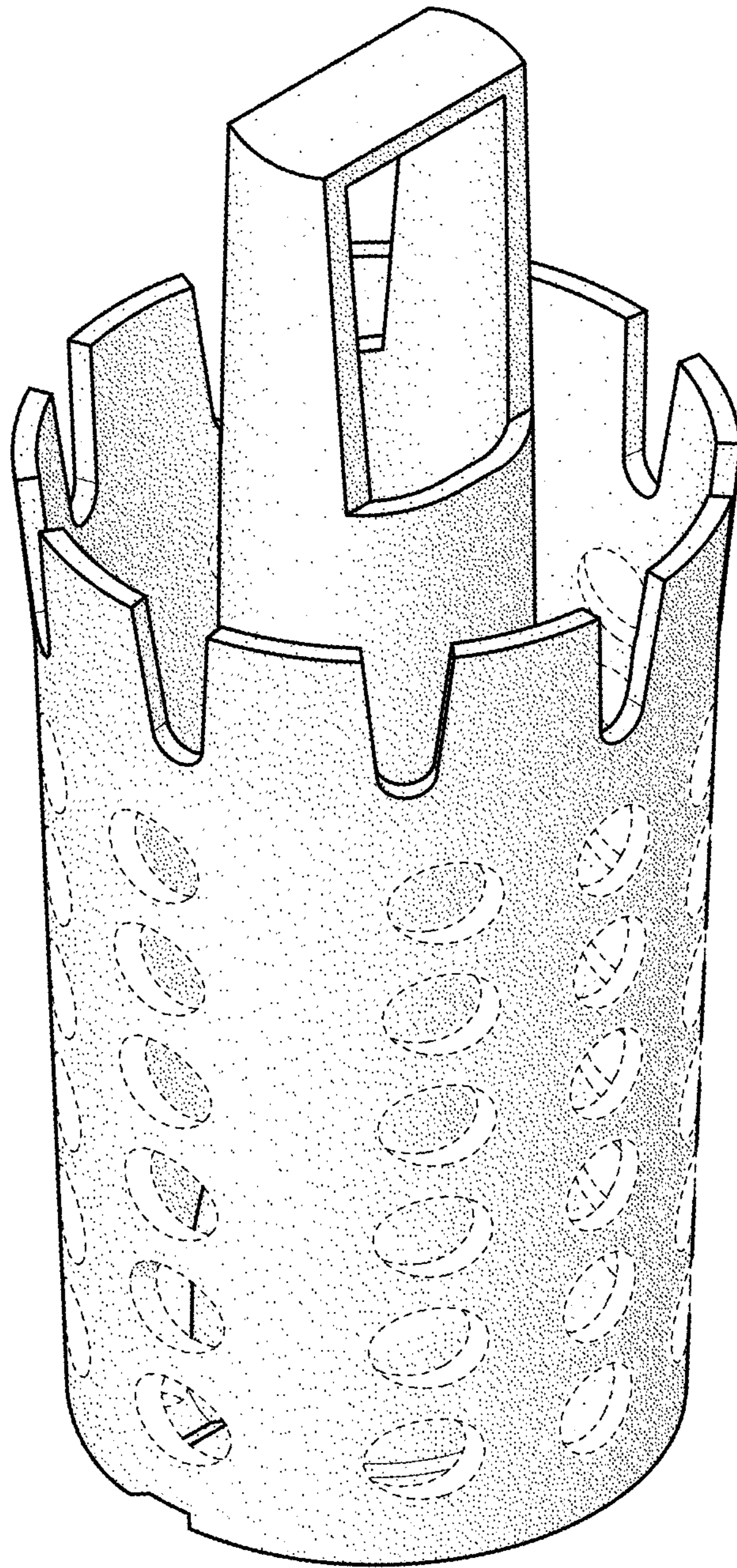
References Cited

U.S. PATENT DOCUMENTS

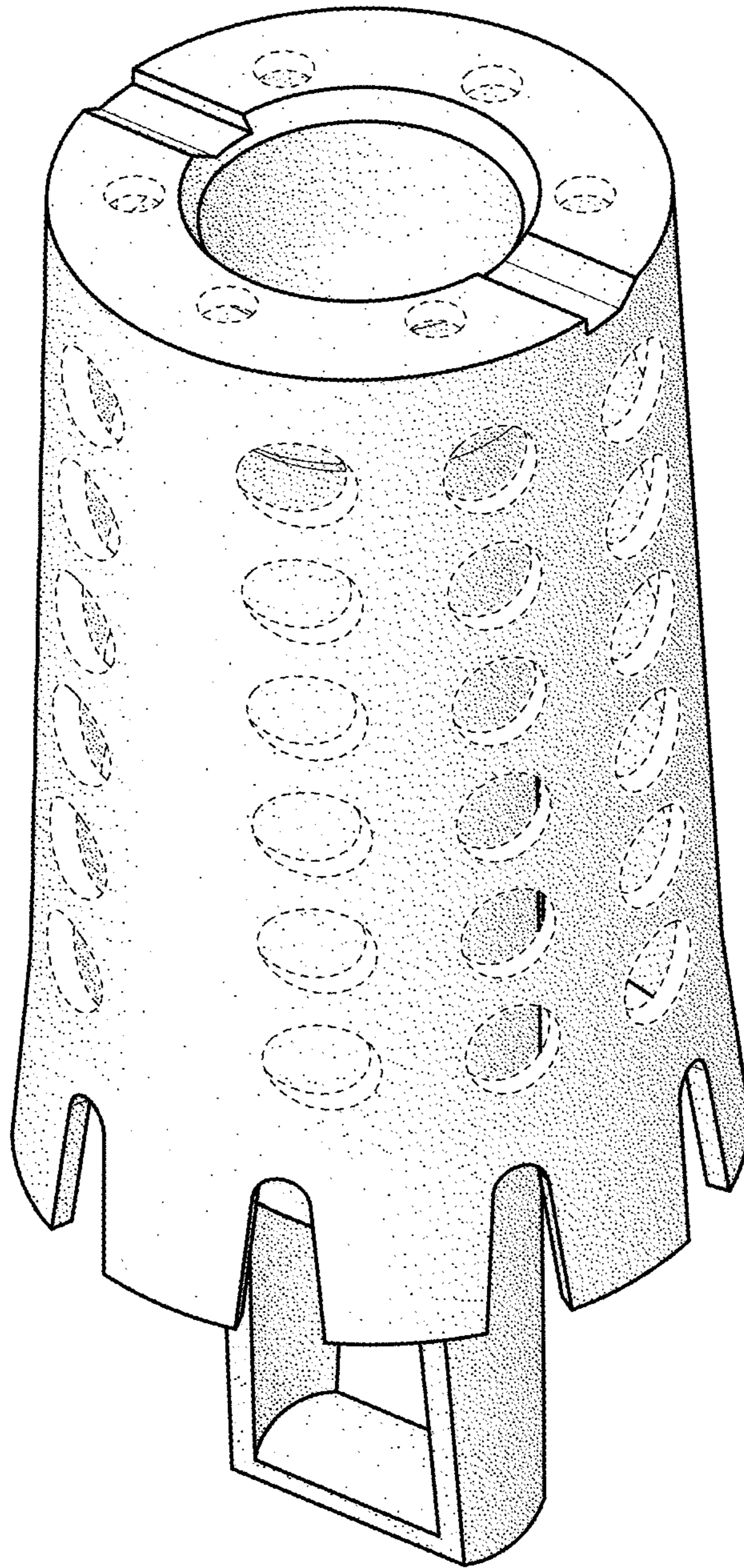
4,369,531 A \* 1/1983 Swanson ..... E03C 1/262  
251/75  
4,380,834 A \* 4/1983 Wentz ..... E03C 1/23  
4/286  
4,571,751 A \* 2/1986 Barlow ..... E03C 1/262  
4/288  
4,597,112 A \* 7/1986 Cuschera ..... A47K 1/14  
4/287  
4,720,877 A \* 1/1988 Watts ..... E03C 1/22  
4/286  
4,860,390 A \* 8/1989 Ohta ..... A47K 1/14  
4/287  
4,932,082 A \* 6/1990 Ridgeway ..... E03C 1/23  
4/287  
5,165,118 A \* 11/1992 Cendrowski ..... E03C 1/262  
4/286  
D357,306 S \* 4/1995 Lenox ..... D23/260  
5,724,684 A \* 3/1998 Paar ..... E03C 1/26  
4/286  
6,058,526 A \* 5/2000 Parisi ..... E03C 1/23  
4/287  
6,067,669 A \* 5/2000 Peterson ..... E03C 1/262  
4/287  
6,108,828 A \* 8/2000 Cheng ..... A47K 1/14  
4/286  
6,145,136 A 11/2000 Parisi et al.  
6,263,518 B1 \* 7/2001 Magtanong ..... E03C 1/26  
4/286

D450,106 S \* 11/2001 Herr ..... D23/261  
D454,941 S \* 3/2002 Dietzel ..... D23/262  
6,845,528 B2 \* 1/2005 Bantz ..... E03C 1/24  
4/295  
7,013,500 B1 \* 3/2006 Lin ..... E03C 1/262  
4/287  
7,442,296 B2 \* 10/2008 Chong ..... E03C 1/264  
210/163  
7,625,488 B2 \* 12/2009 Blackburn ..... E03C 1/264  
210/308  
7,704,386 B2 \* 4/2010 Ventura ..... E03C 1/264  
210/163  
D644,072 S \* 8/2011 McDonald ..... D7/667  
8,214,942 B2 \* 7/2012 Yang ..... E03C 1/23  
4/685  
D691,418 S \* 10/2013 Minton ..... D7/399  
2004/0255378 A1 \* 12/2004 Tracy ..... E03C 1/23  
4/689  
2009/0172870 A1 \* 7/2009 Hong ..... E03C 1/264  
4/286  
2010/0000011 A1 \* 1/2010 Angarita ..... E03C 1/262  
4/287  
2011/0126347 A1 \* 6/2011 Qian ..... E03C 1/2302  
4/287  
2011/0185494 A1 \* 8/2011 Beck ..... E03C 1/23  
4/689  
2013/0185855 A1 \* 7/2013 Ali ..... A47K 1/14  
4/287  
2014/0007334 A1 \* 1/2014 Golibart ..... E03C 1/262  
4/287

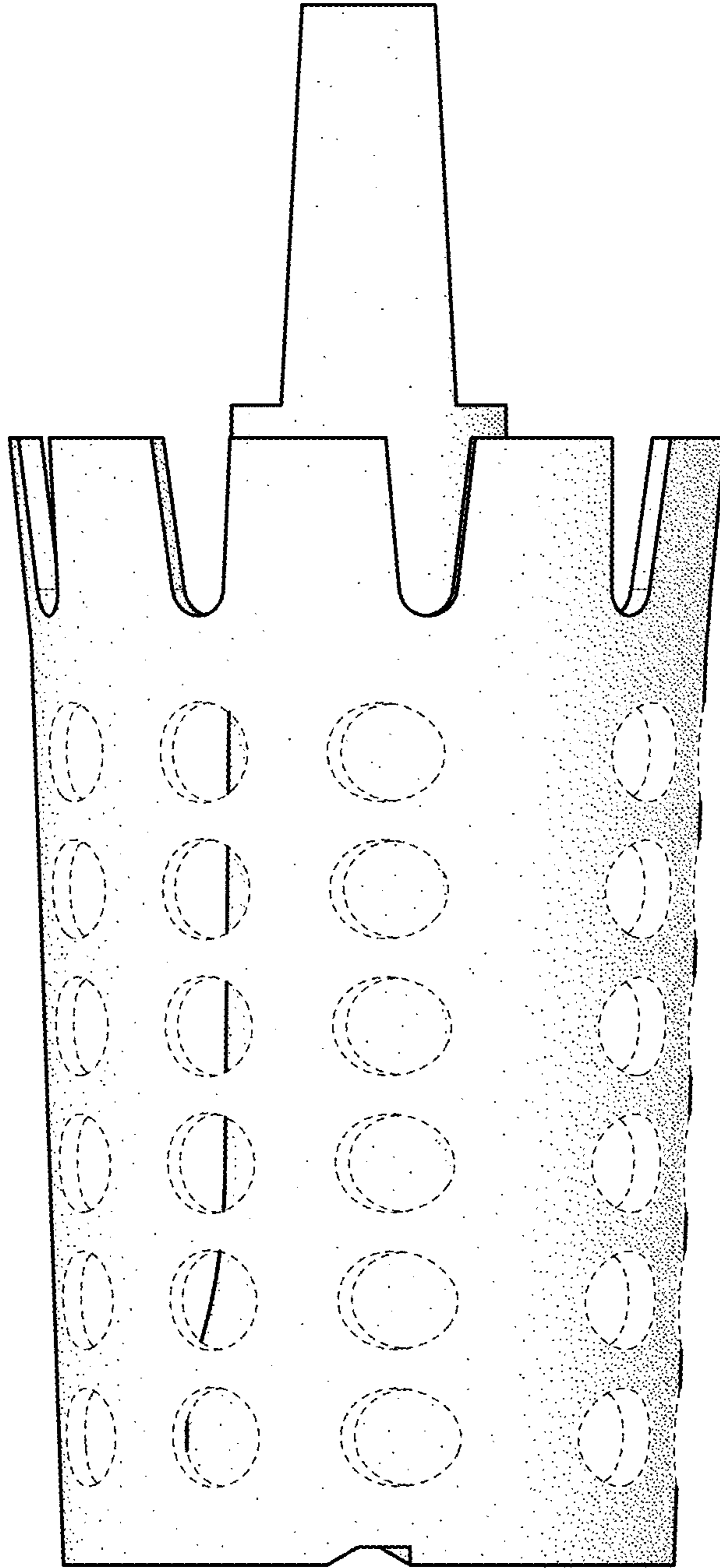
\* cited by examiner



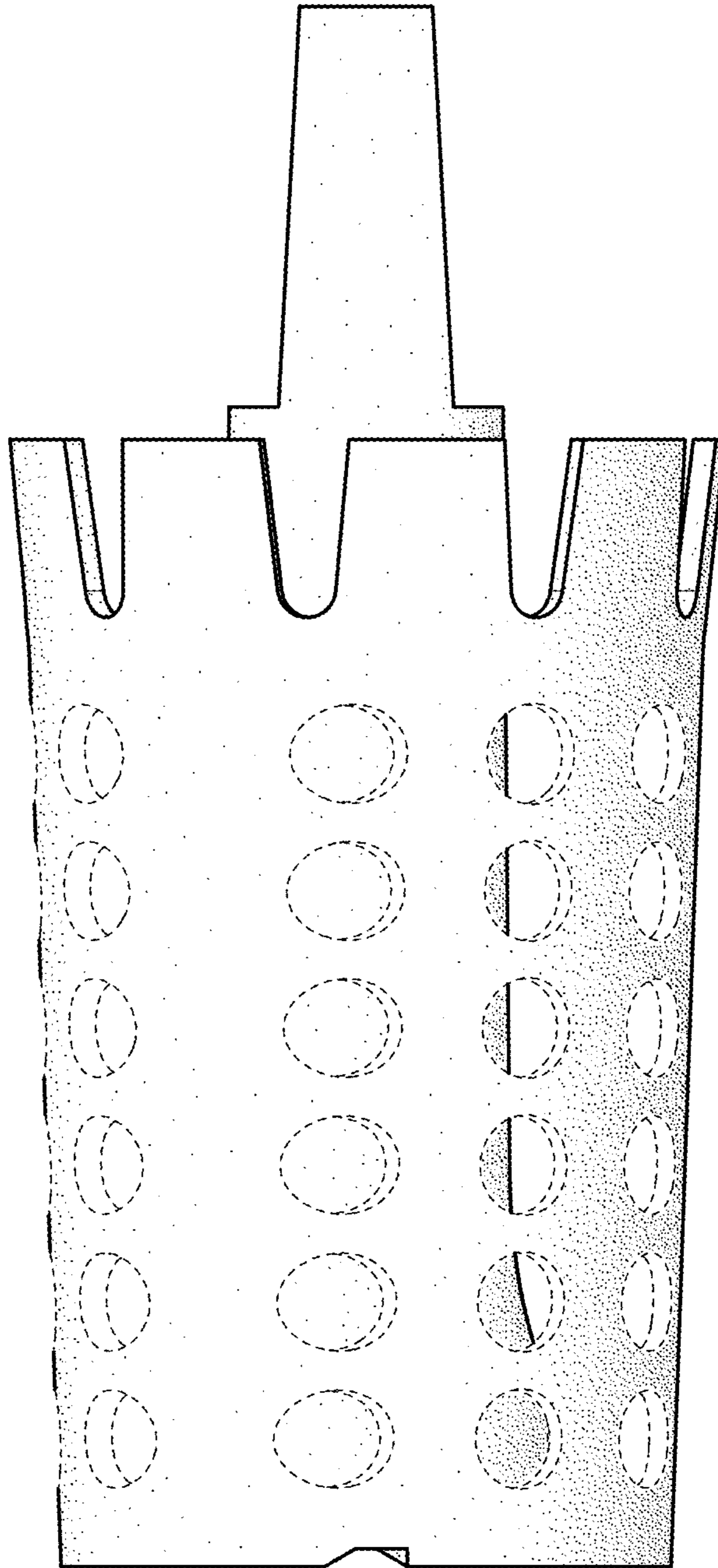
**FIG. 1**



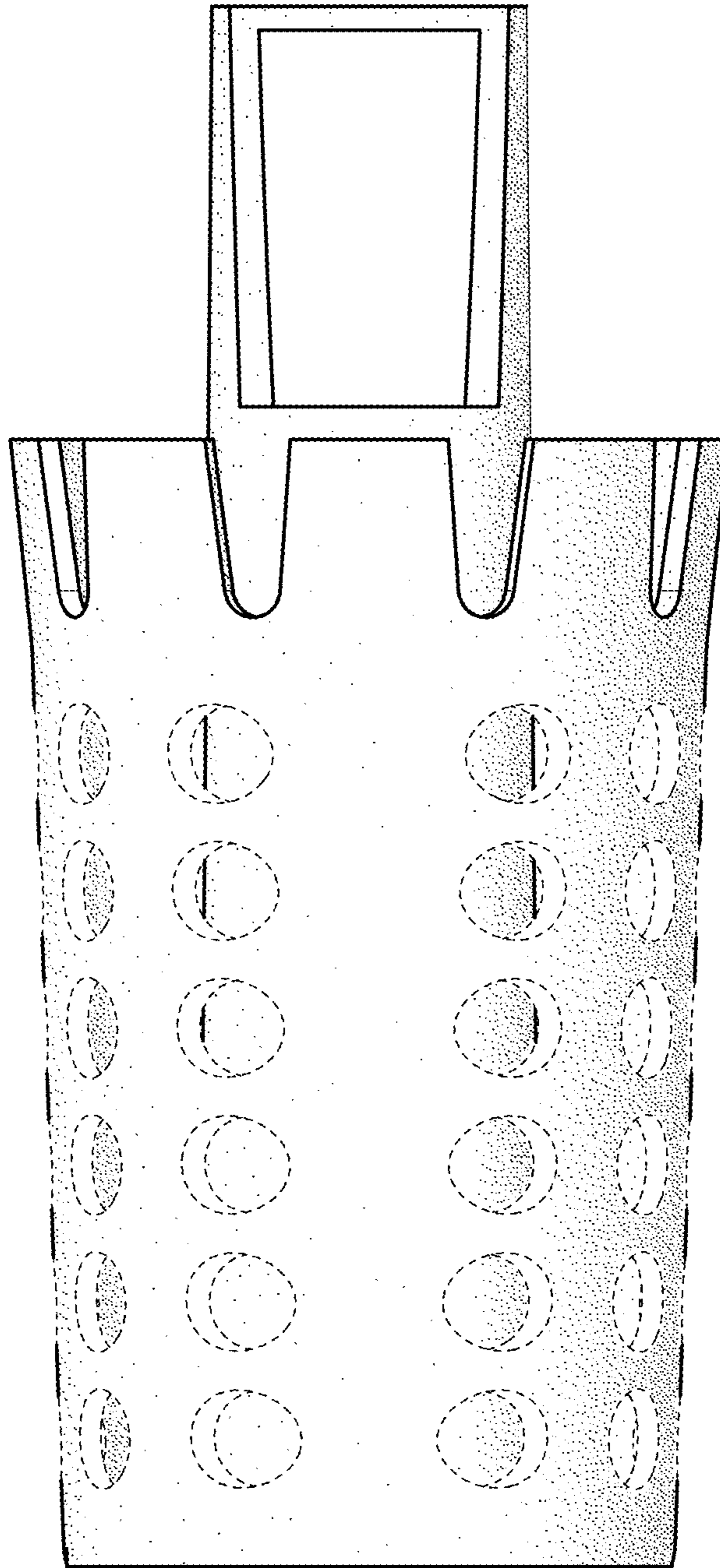
**FIG. 2**



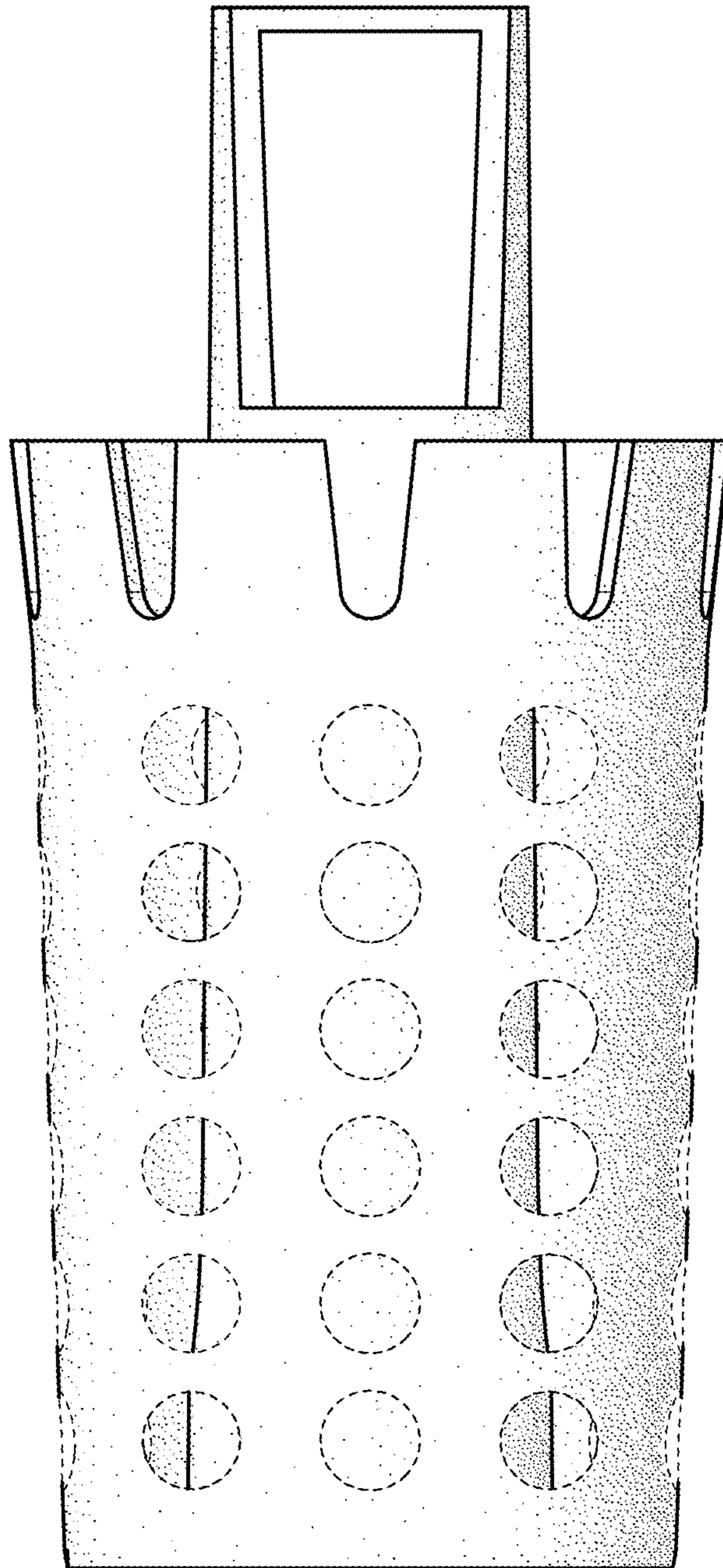
***FIG. 3***



**FIG. 4**

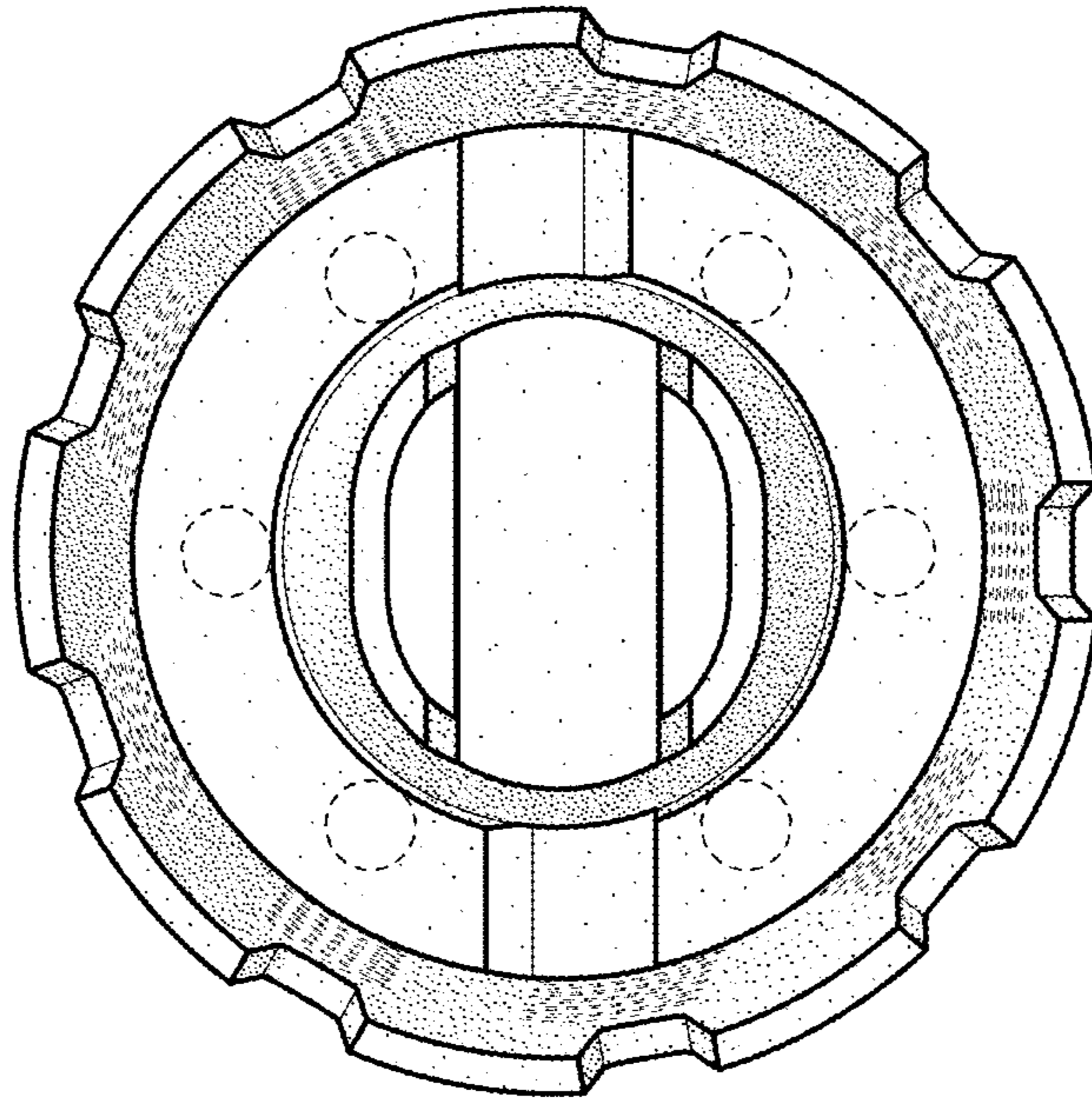


**FIG. 5**

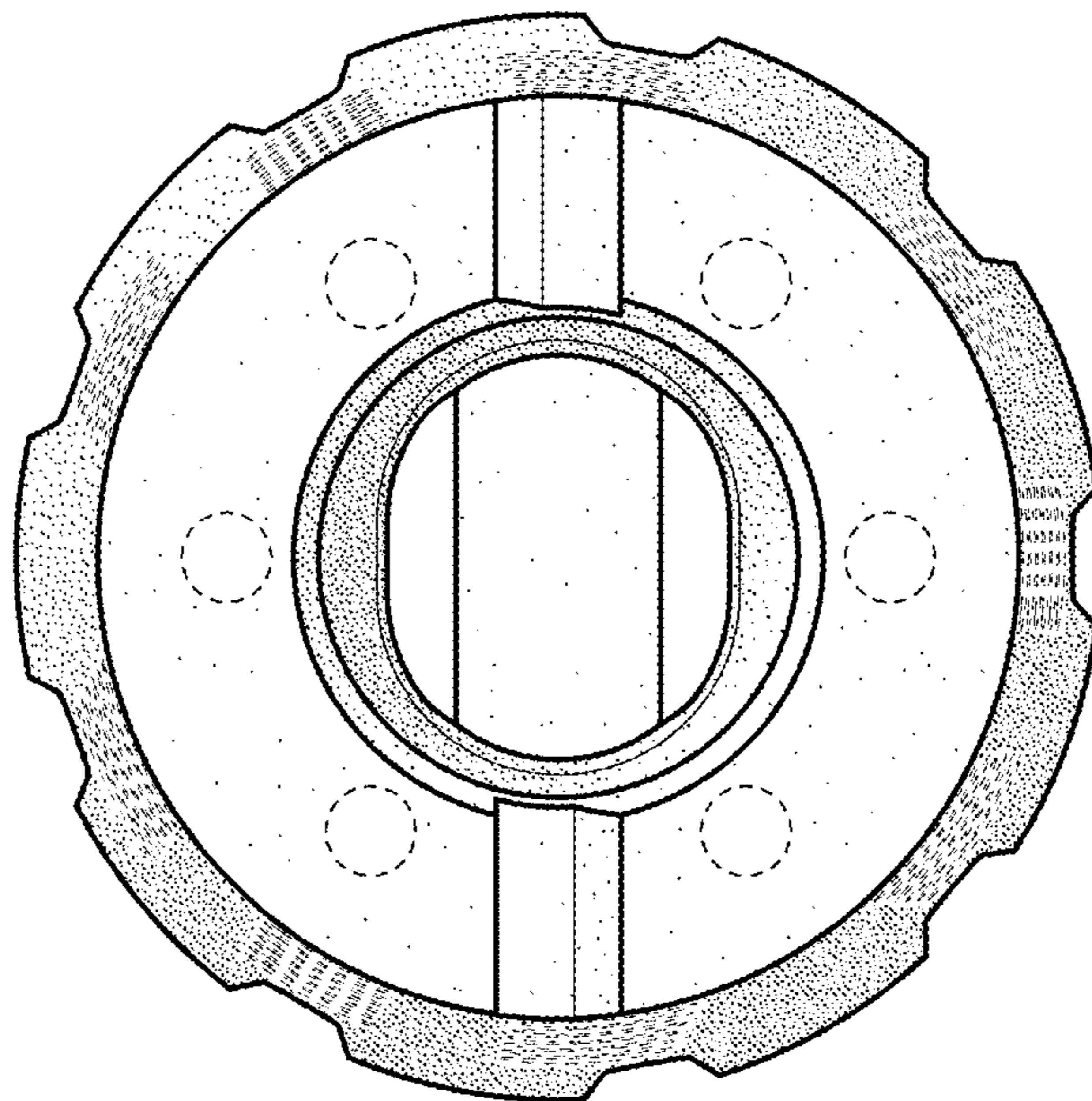


**FIG. 6**





**FIG. 7**



**FIG. 8**