



US00D792561S

(12) **United States Design Patent**
Fritz

(10) **Patent No.:** **US D792,561 S**

(45) **Date of Patent:** **** Jul. 18, 2017**

(54) **FAUCET HANDLE**

D509,568 S * 9/2005 Blattner D23/252
D631,135 S * 1/2011 Romero D23/252
D767,099 S * 9/2016 Flowers D23/242

(71) Applicant: **DELTA FAUCET COMPANY,**
Indianapolis, IN (US)

* cited by examiner

(72) Inventor: **Seth Fritz,** Carmel, IN (US)

Primary Examiner — Robert Delehanty

(73) Assignee: **DELTA FAUCET COMPANY,**
Indianapolis, IN (US)

(74) *Attorney, Agent, or Firm* — Edgar A. Zarins; Nirav
D. Parikh

(**) Term: **15 Years**

(57) **CLAIM**

(21) Appl. No.: **29/555,204**

The ornamental design for a faucet handle, as shown and described.

(22) Filed: **Feb. 19, 2016**

(51) **LOC (10) Cl.** **23-01**

(52) **U.S. Cl.**
USPC **D23/252**

DESCRIPTION

(58) **Field of Classification Search**
USPC D23/238, 249–250, 252, 254;
D8/307–308, 310
CPC . E03C 1/00; E03C 1/0404; E03C 1/02; E03C
1/021
See application file for complete search history.

FIG. 1 is a perspective view of a faucet handle showing my new design;
FIG. 2 is a top plan view thereof;
FIG. 3 is a first side view thereof;
FIG. 4 is a first end view thereof;
FIG. 5 is a second end view thereof; and,
FIG. 6 is a bottom view thereof.
The broken line shown in FIG. 6 is included for the purpose of illustrating a portion of the faucet handle that forms no part of the claimed design.

(56) **References Cited**

U.S. PATENT DOCUMENTS

D357,525 S * 4/1995 Fabian D23/252

1 Claim, 1 Drawing Sheet

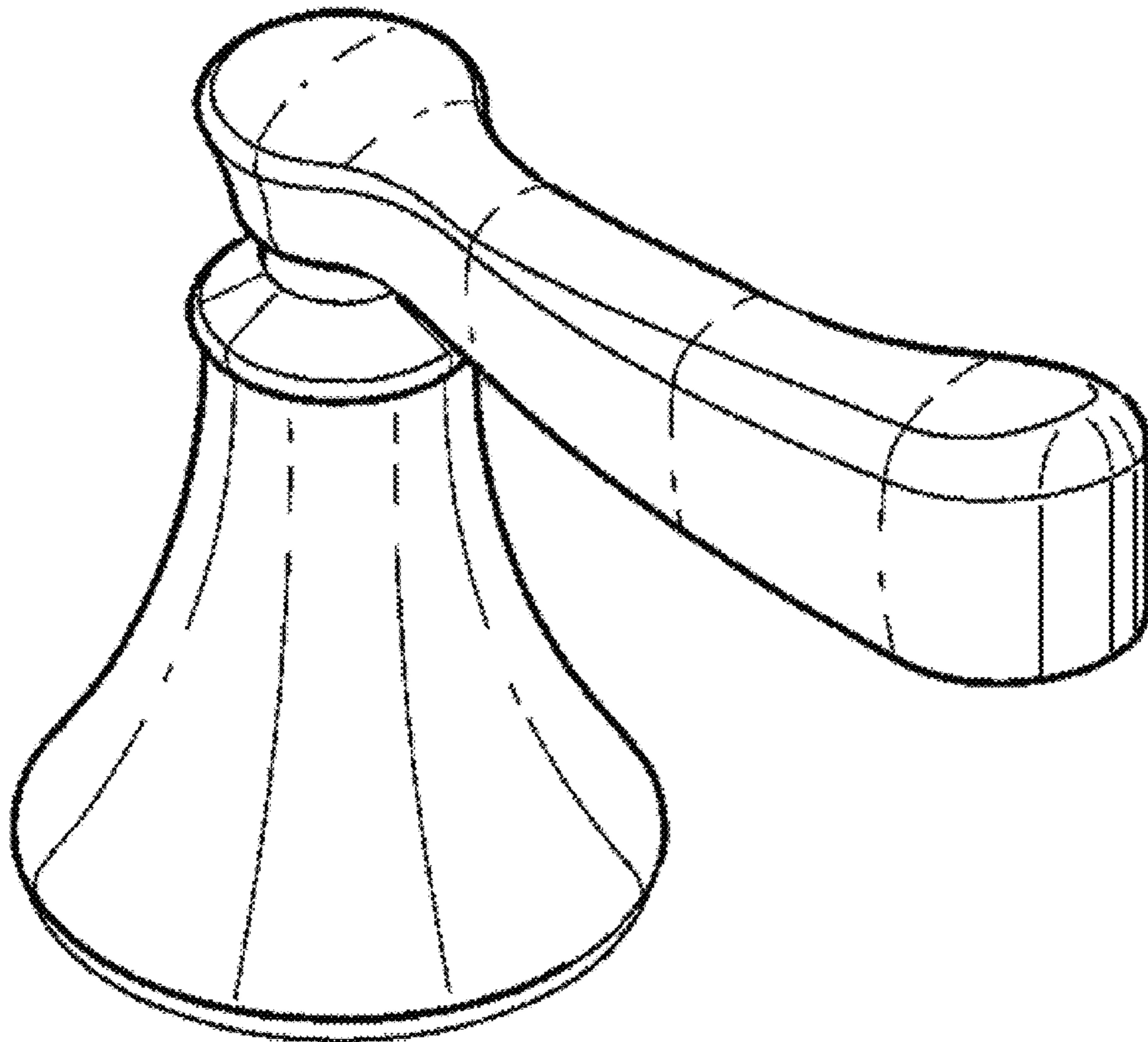


Fig-1

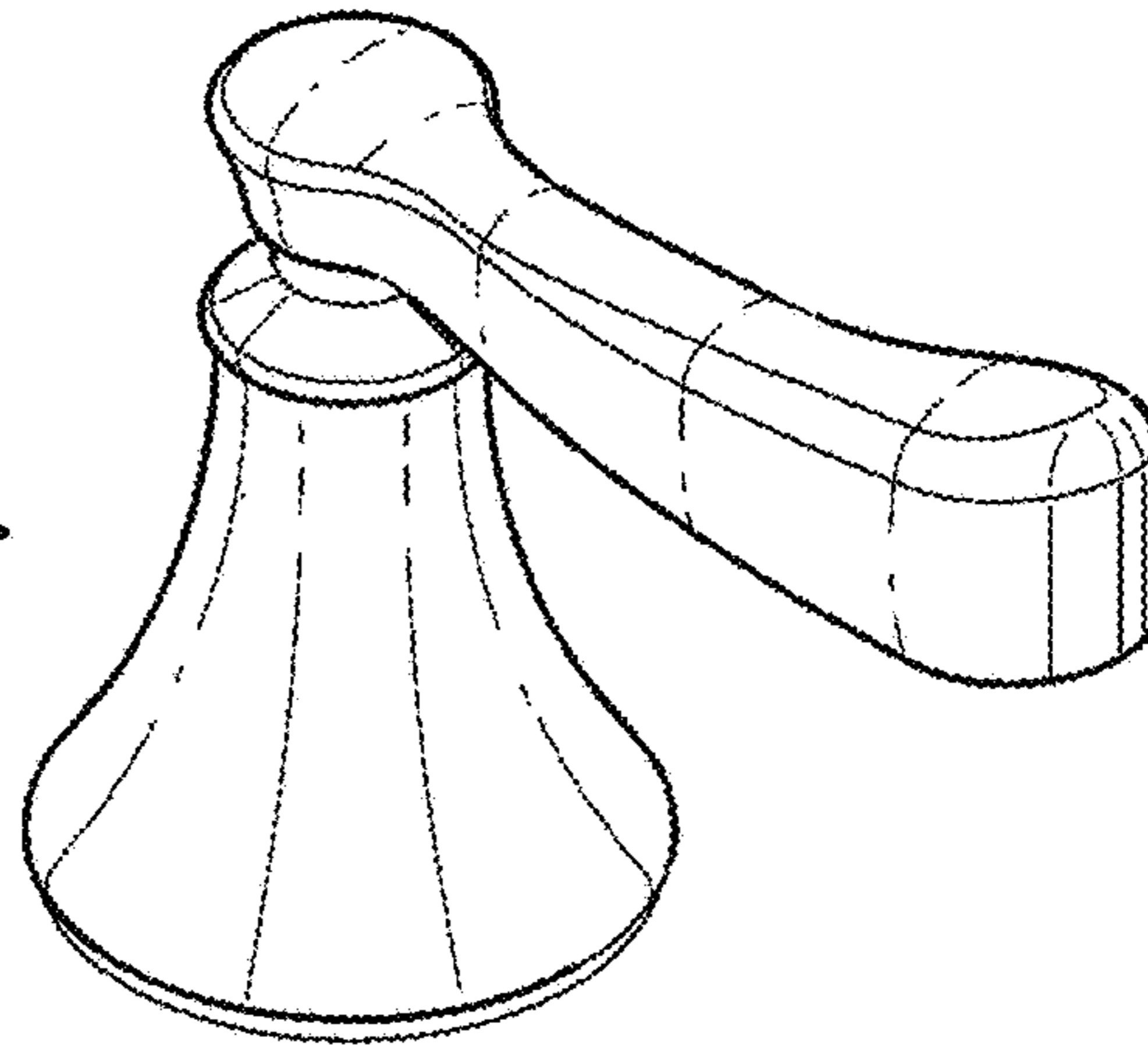


Fig-2

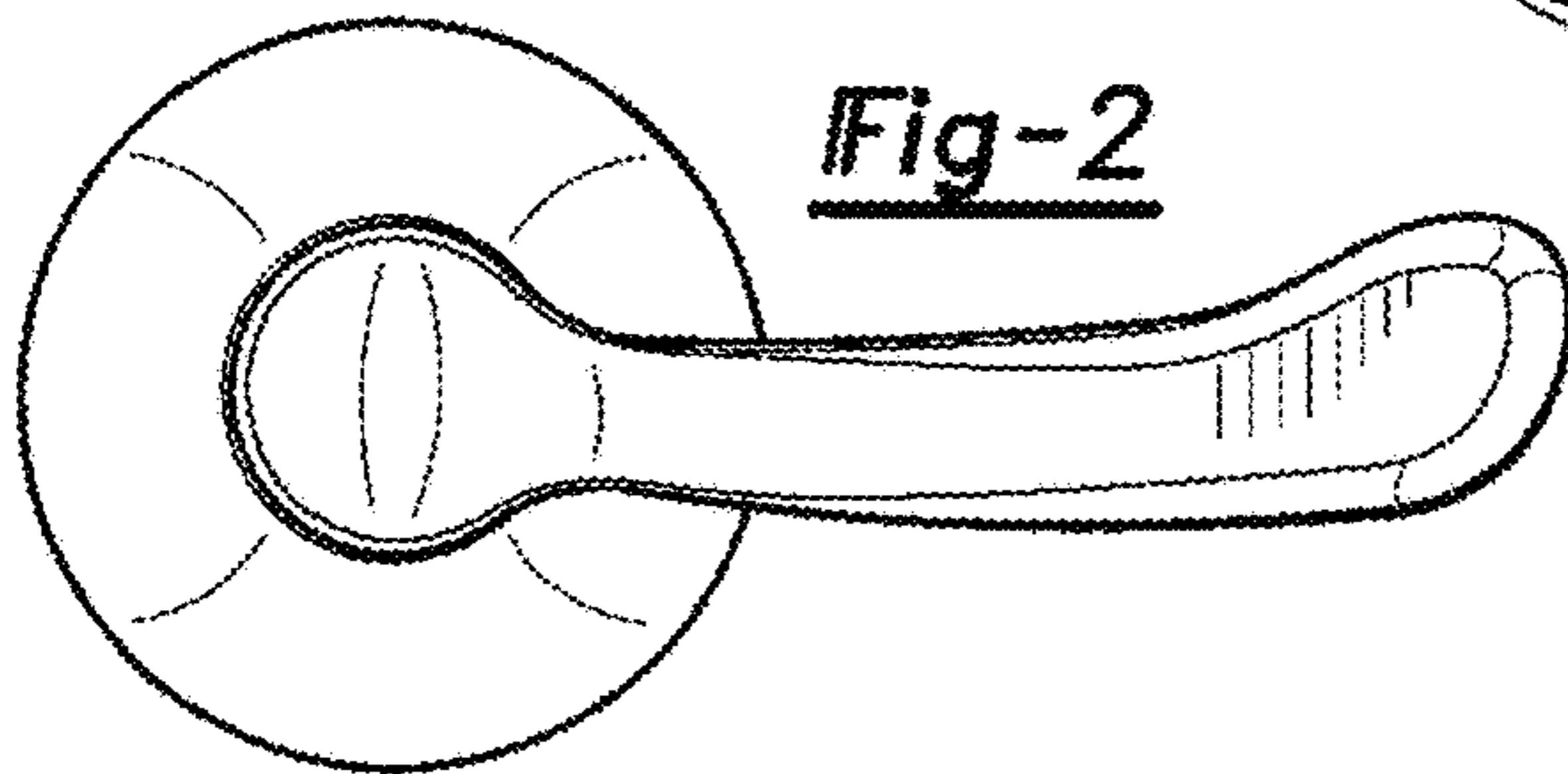


Fig-3

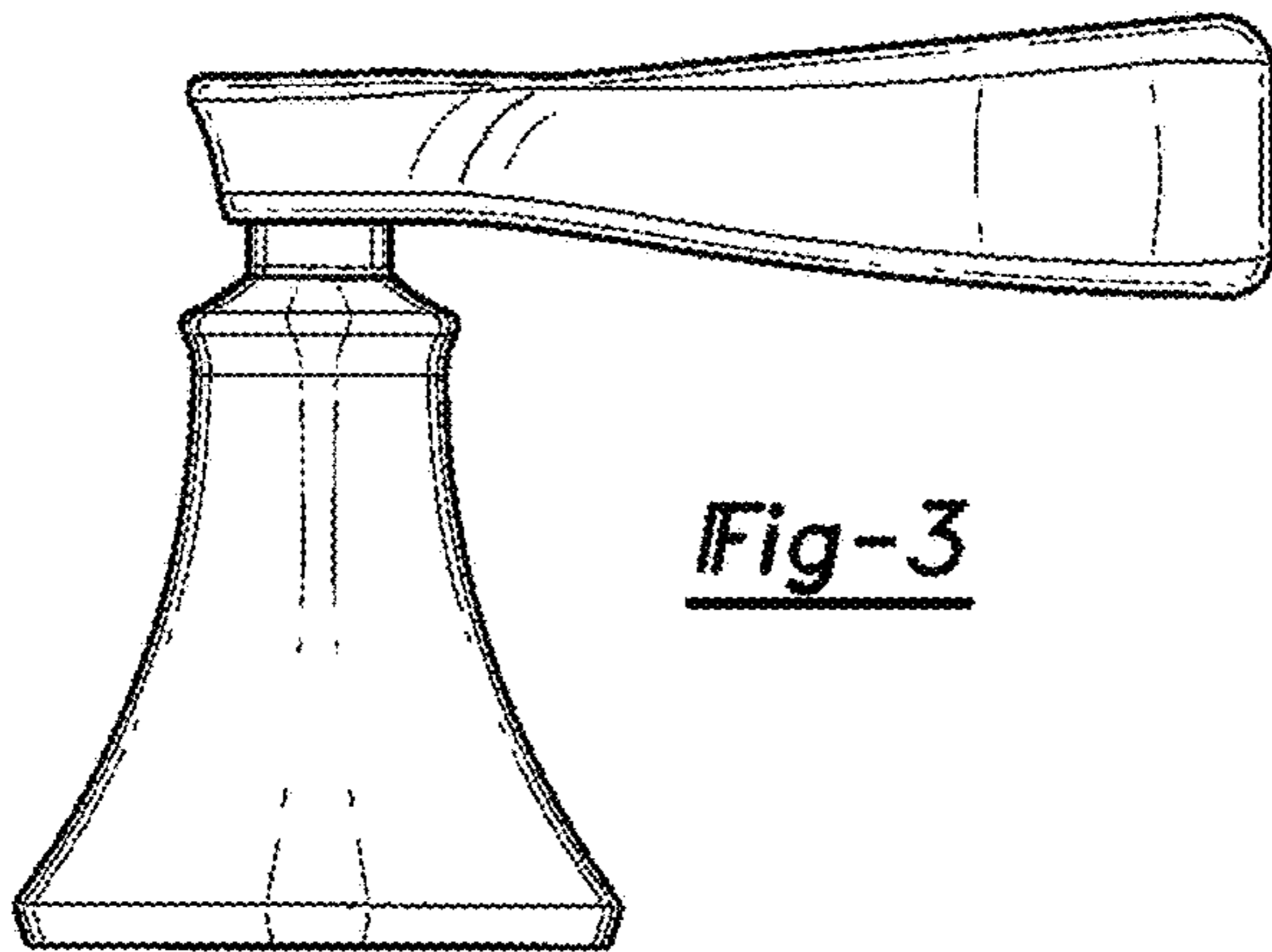


Fig-4

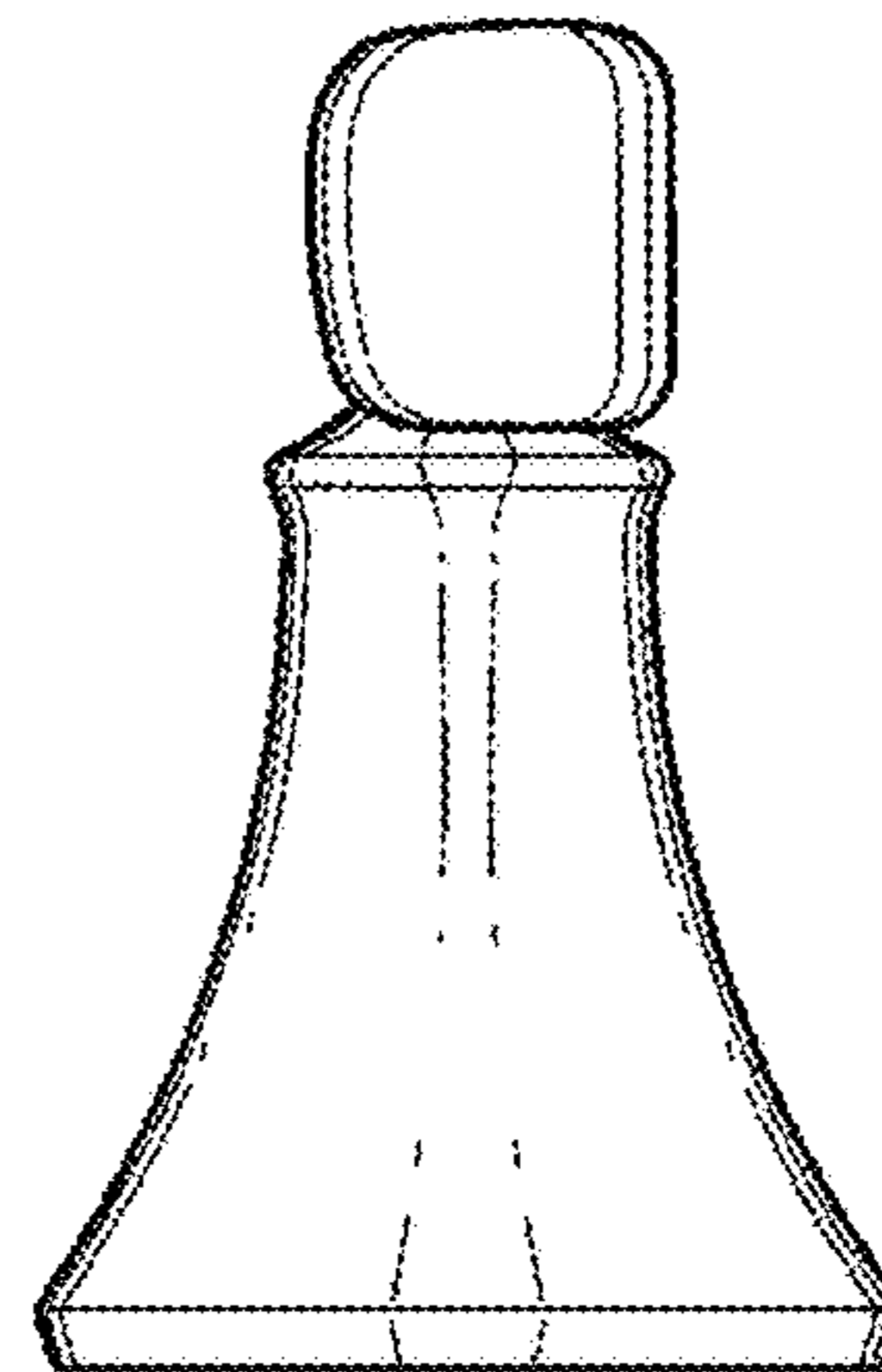


Fig-5

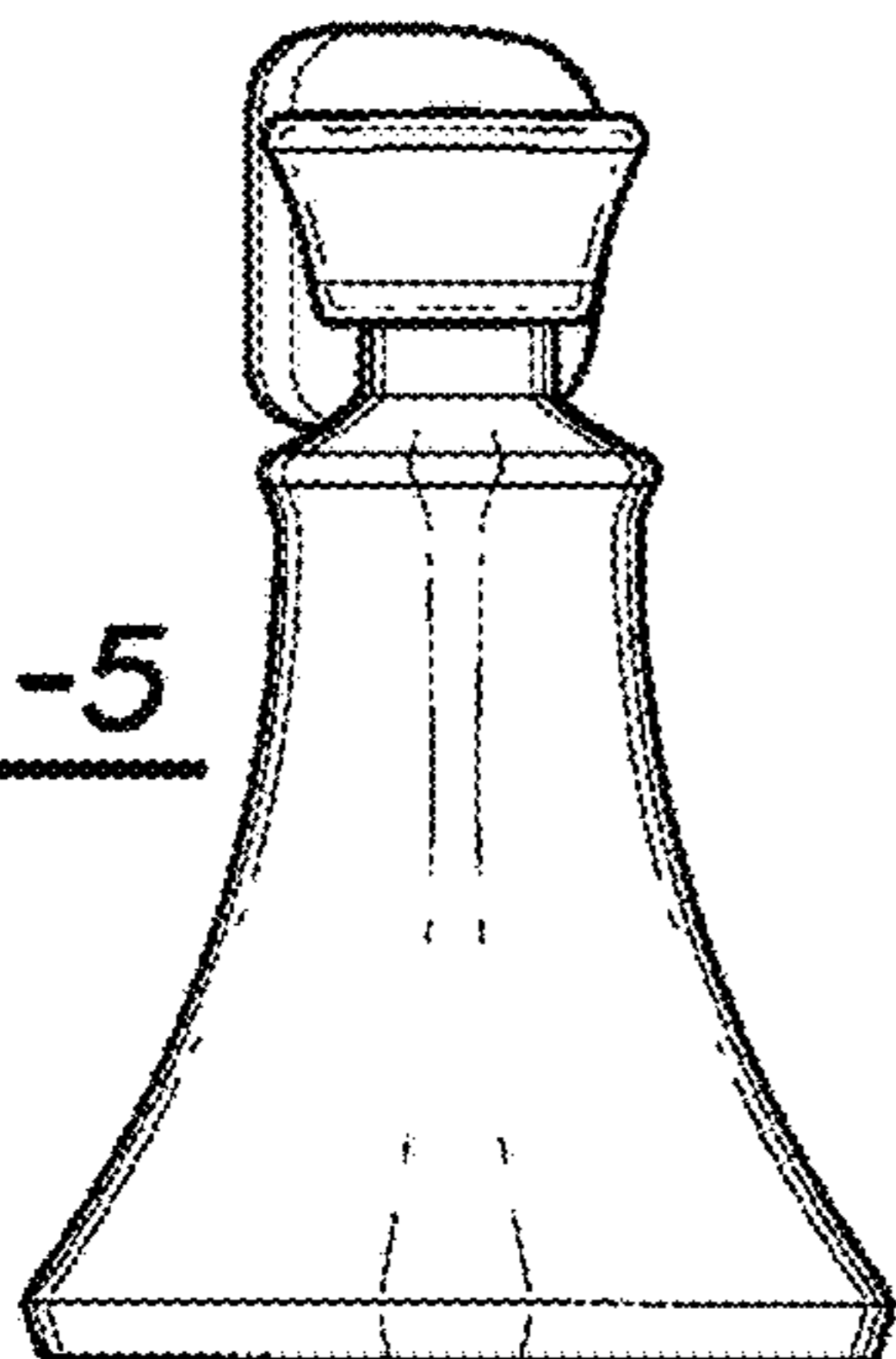


Fig-6

