



US00D792559S

(12) **United States Design Patent**  
**Kulig**

(10) **Patent No.:** **US D792,559 S**

(45) **Date of Patent:** **\*\* Jul. 18, 2017**

(54) **FAUCET**

(71) Applicant: **Graff Faucets**, Milwaukee, WI (US)

(72) Inventor: **Zbigniew Kulig**, Wadworth, IL (US)

(73) Assignee: **Graff Faucets**, Milwaukee, WI (US)

(\*\*) Term: **15 Years**

(21) Appl. No.: **29/564,471**

(22) Filed: **May 13, 2016**

(51) **LOC (10) Cl.** ..... **23-01**

(52) **U.S. Cl.**  
USPC ..... **D23/242**

(58) **Field of Classification Search**  
USPC ..... D23/238-243, 249-250, 252, 254-255,  
D23/257  
CPC . E03C 1/00; E03C 1/0404; E03C 1/02; E03C  
1/021; E03C 1/0401; E03C 1/04; E03C  
1/0402  
See application file for complete search history.

(56) **References Cited**

**U.S. PATENT DOCUMENTS**

D461,230 S \* 8/2002 Ko ..... D23/255  
D486,563 S \* 2/2004 Hsieh ..... D23/238

D573,231 S 7/2008 Kulig  
D587,786 S \* 3/2009 Williams ..... D23/252  
D625,392 S 10/2010 Kulig  
D666,695 S 9/2012 Kulig et al.  
D694,369 S \* 11/2013 Mendoza ..... D23/242  
D754,298 S \* 4/2016 Garland ..... D23/242  
D754,823 S \* 4/2016 Garland ..... D23/252

\* cited by examiner

*Primary Examiner* — Robert Delehanty

(74) *Attorney, Agent, or Firm* — Boyle Fredrickson, S.C.

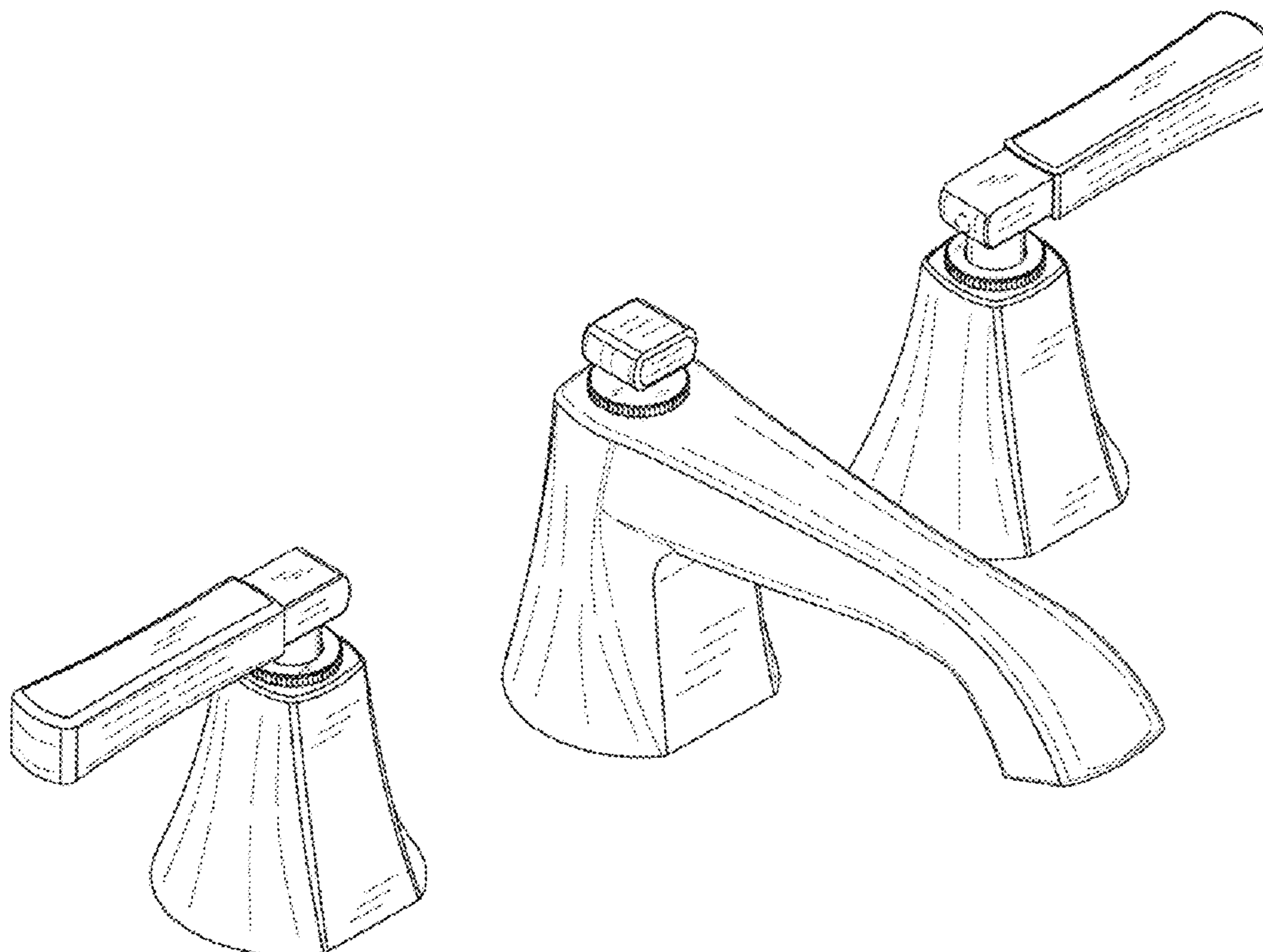
(57) **CLAIM**

The ornamental design for a faucet, as shown and described.

**DESCRIPTION**

FIG. 1 is a perspective view of a faucet incorporating my new design, viewed from in front of, above, and from the right side of the faucet;  
FIG. 2 is a front elevation view thereof;  
FIG. 3 is a rear elevation view thereof;  
FIG. 4 is a right-side elevation view thereof;  
FIG. 5 is a left elevation view thereof;  
FIG. 6 is a top plan view thereof; and,  
FIG. 7 is a bottom plan view thereof.  
The broken lines in FIGS. 2 and 7 are for illustrative purposes only and form no part of the claimed design.

**1 Claim, 7 Drawing Sheets**



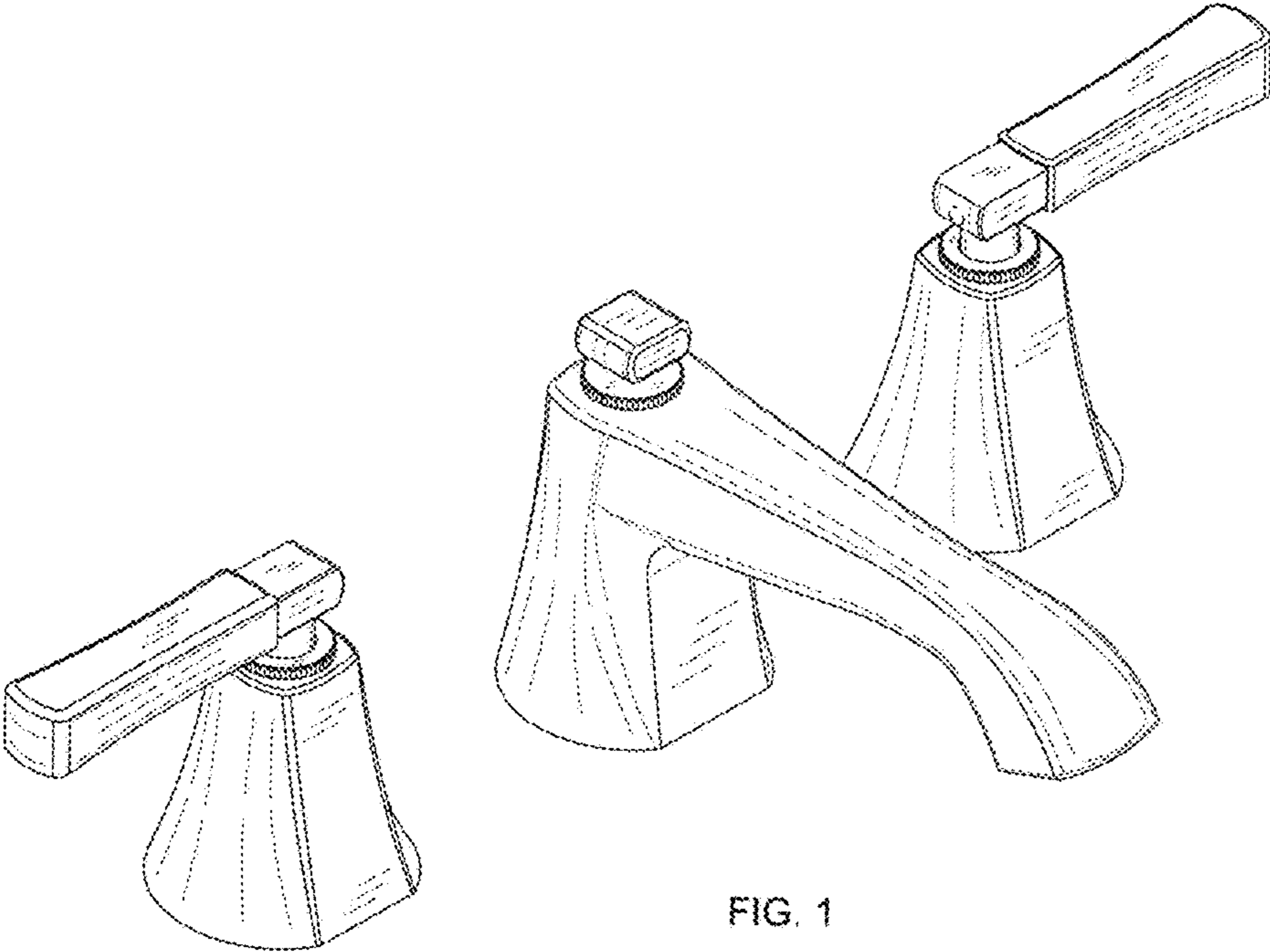


FIG. 1

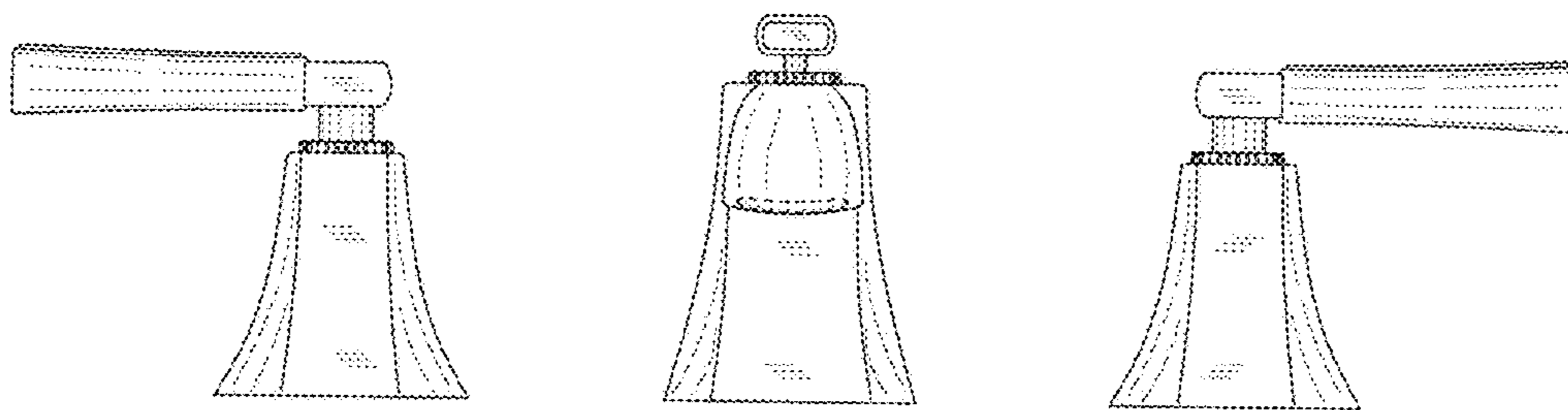


FIG. 2

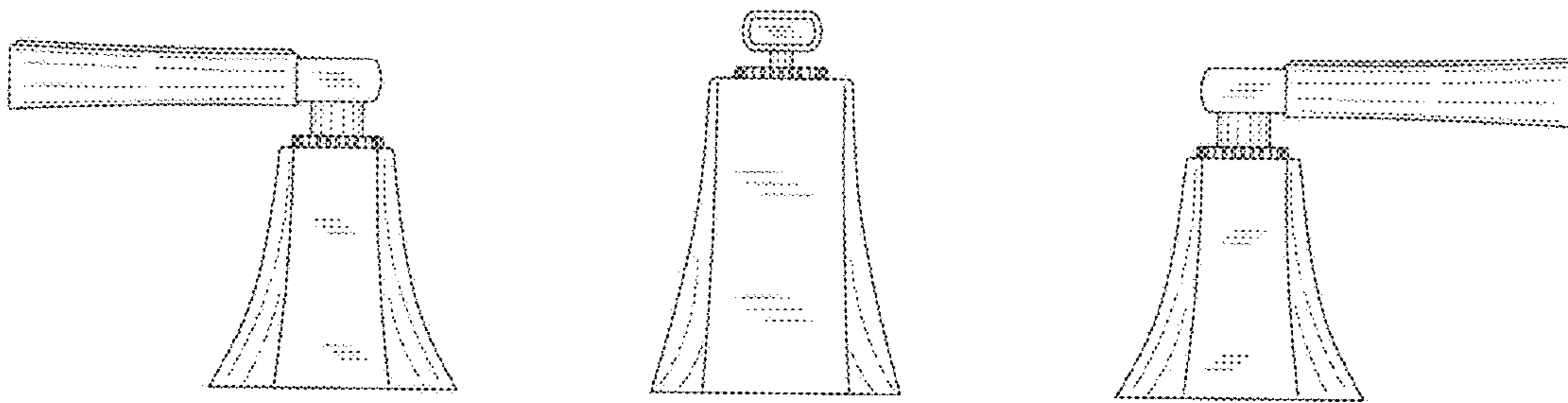


FIG. 3

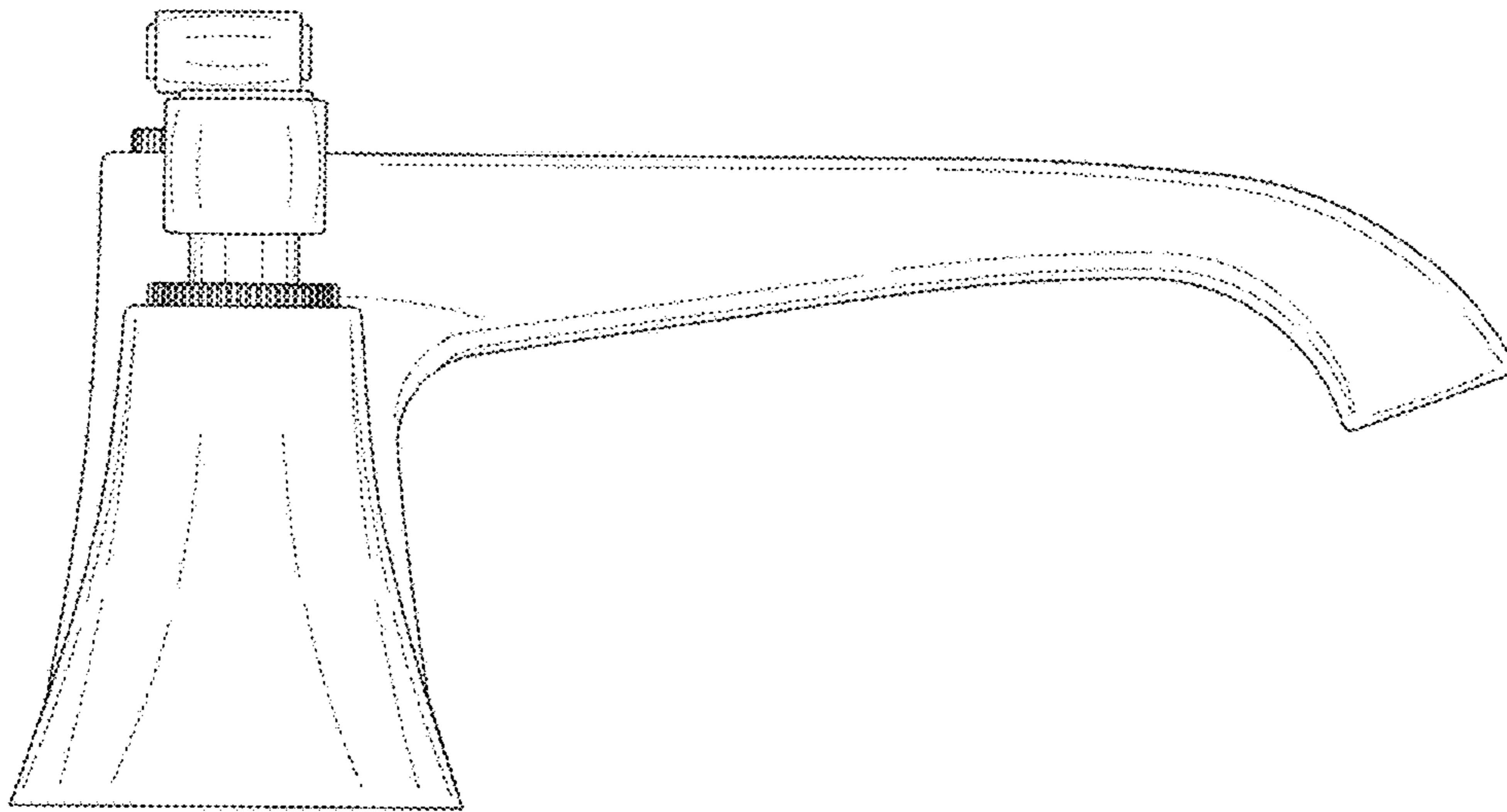


FIG. 4

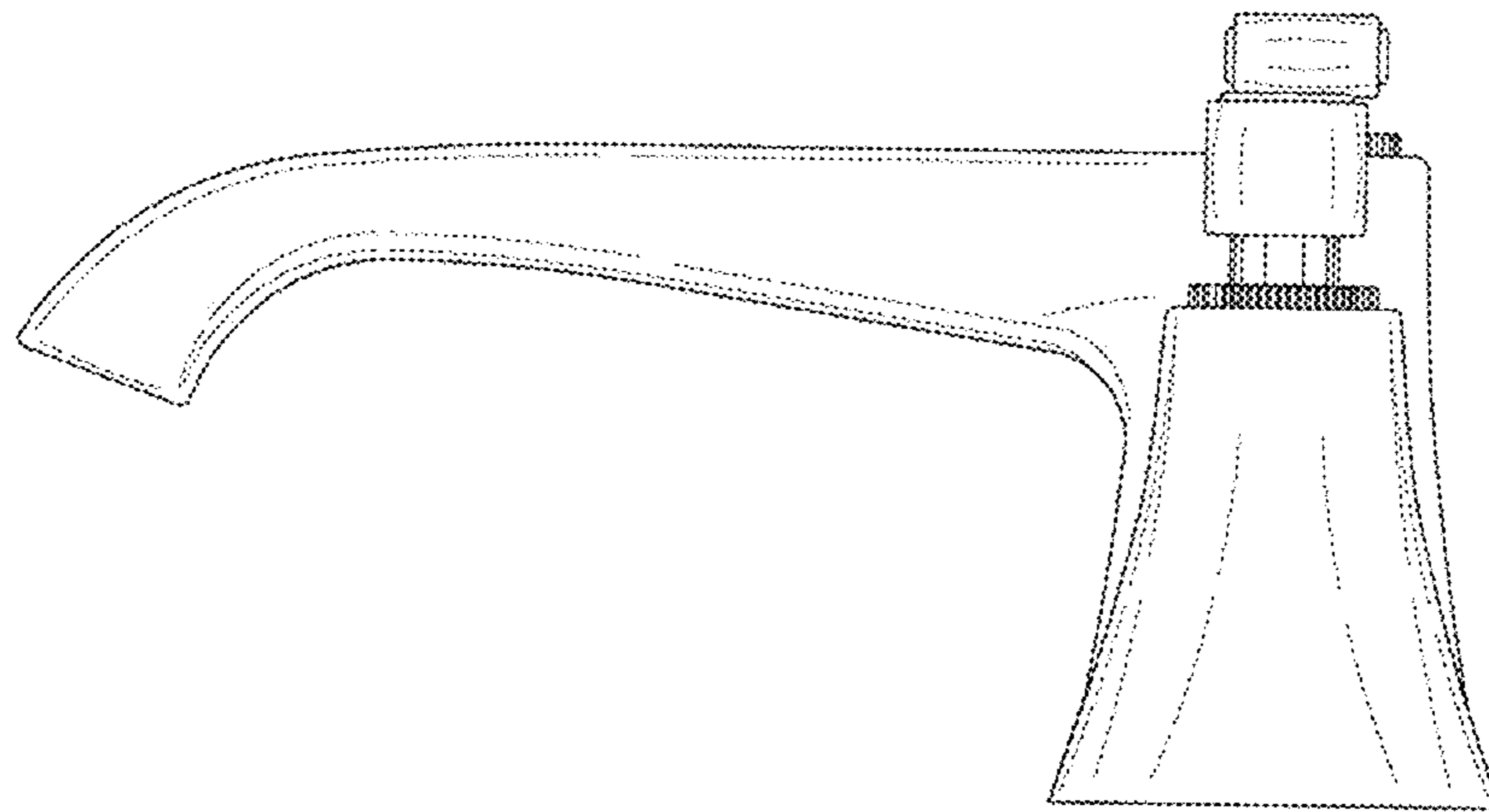


FIG. 5

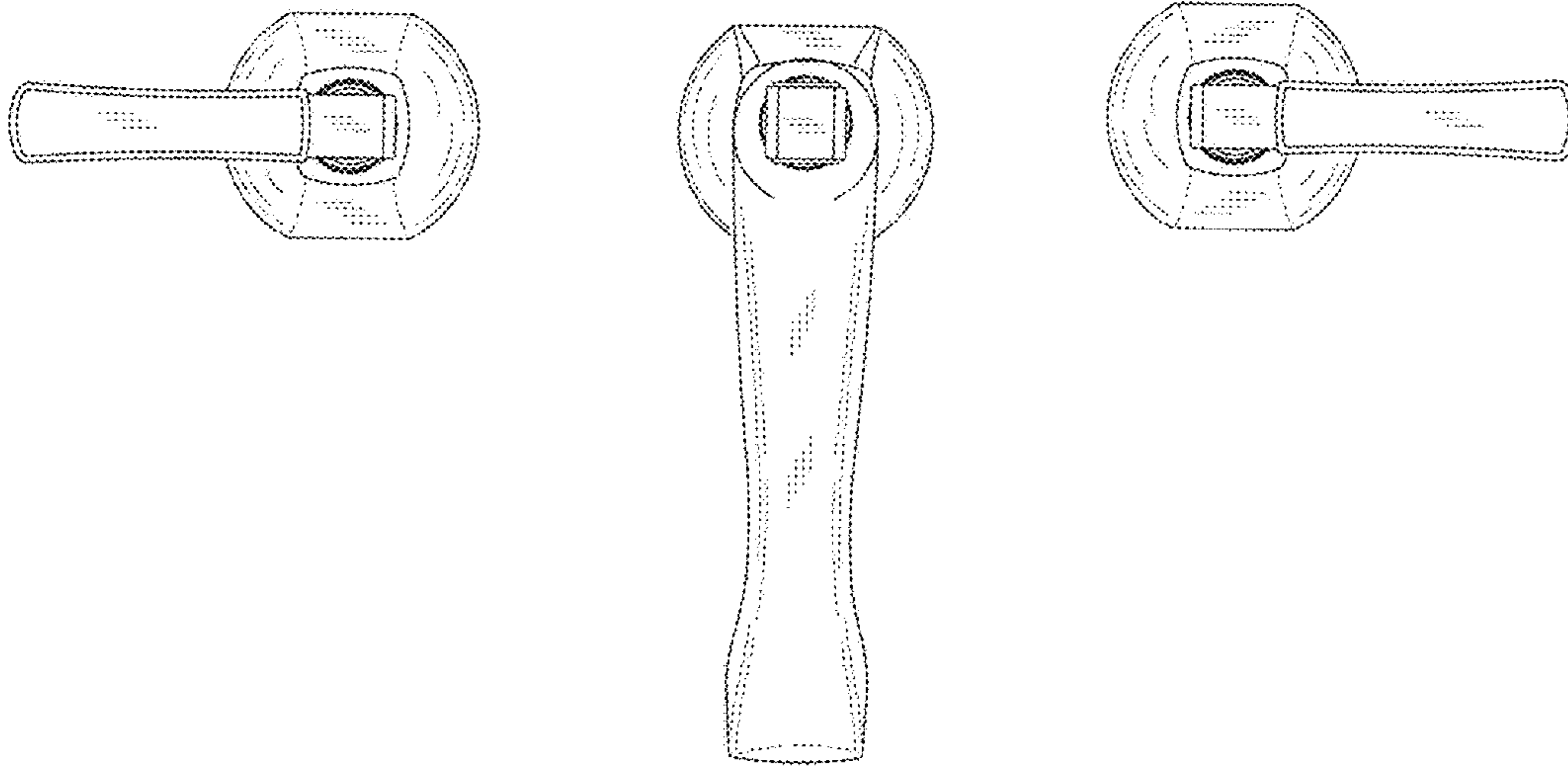


FIG. 6

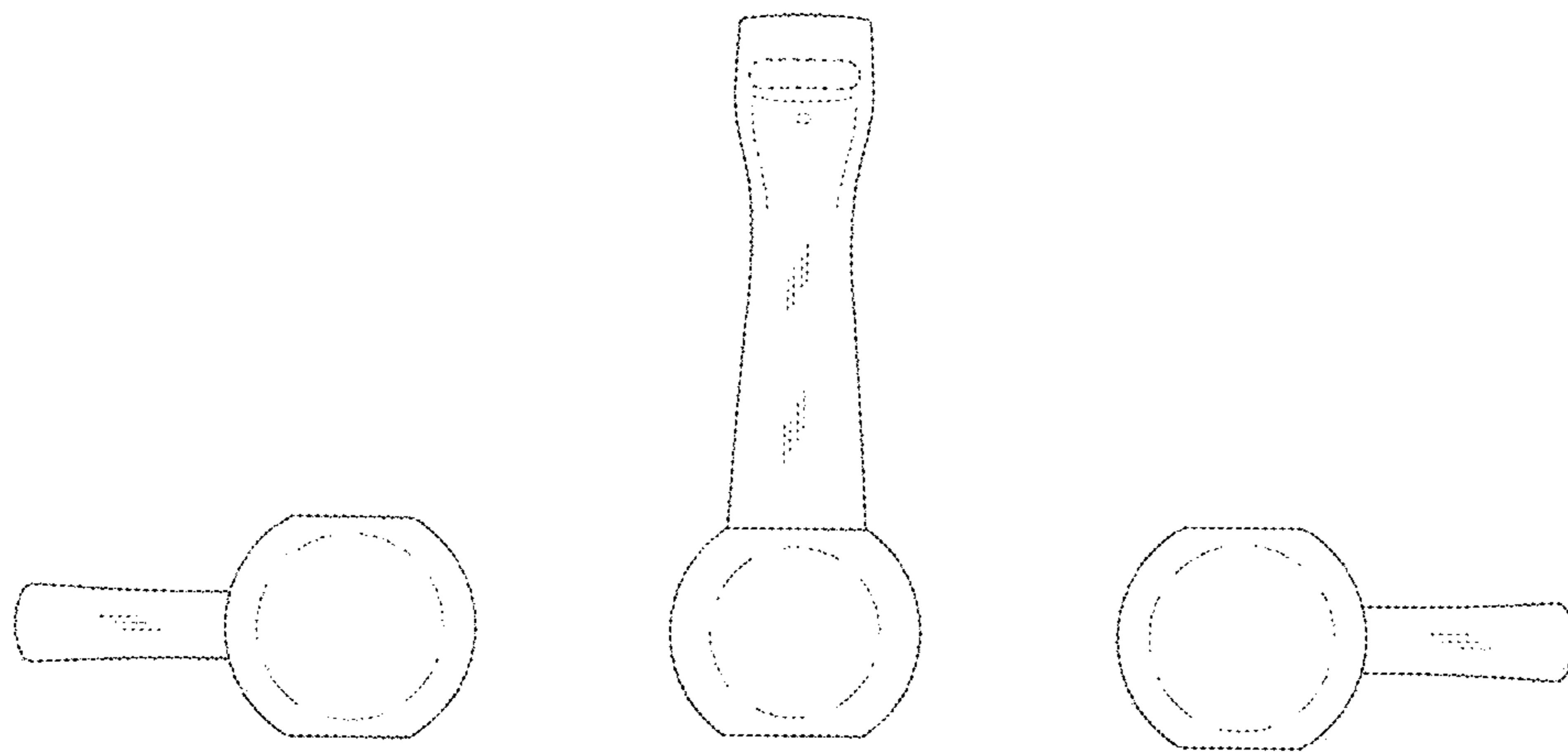


FIG. 7