



US00D792557S

(12) **United States Design Patent**  
**Wang**

(10) **Patent No.:** **US D792,557 S**  
(45) **Date of Patent:** **\*\* Jul. 18, 2017**

- (54) **PAINT SPRAY GUN**
- (71) Applicant: **Hsing-Tzu Wang**, Taichung (TW)
- (72) Inventor: **Hsing-Tzu Wang**, Taichung (TW)
- (\*\*) Term: **15 Years**
- (21) Appl. No.: **29/561,595**
- (22) Filed: **Apr. 18, 2016**
- (51) **LOC (10) Cl.** ..... **23-01**
- (52) **U.S. Cl.**  
USPC ..... **D23/226**
- (58) **Field of Classification Search**  
USPC ..... D23/213, 223, 226  
CPC ..... B05B 5/0533; B05B 5/1691; B05B 5/043;  
B05B 7/241; B05B 7/2408  
See application file for complete search history.

D641,067 S *	7/2011	Wang	.....	D23/226
D644,716 S *	9/2011	Gehrung	.....	D23/226
D689,593 S *	9/2013	Schmon	.....	D23/226
D734,429 S *	7/2015	Wang	.....	D23/226
D738,462 S *	9/2015	Wang	.....	D23/226
D740,393 S *	10/2015	Gehrung	.....	D23/226
D754,286 S *	4/2016	Wang	.....	D23/226
D754,287 S *	4/2016	Wang	.....	D23/226
D770,593 S *	11/2016	Gehrung	.....	D23/226

\* cited by examiner

*Primary Examiner* — Robin V Webster  
(74) *Attorney, Agent, or Firm* — LeClairRyan

(57) **CLAIM**

The ornamental design for a paint spray gun, as shown and described.

**DESCRIPTION**

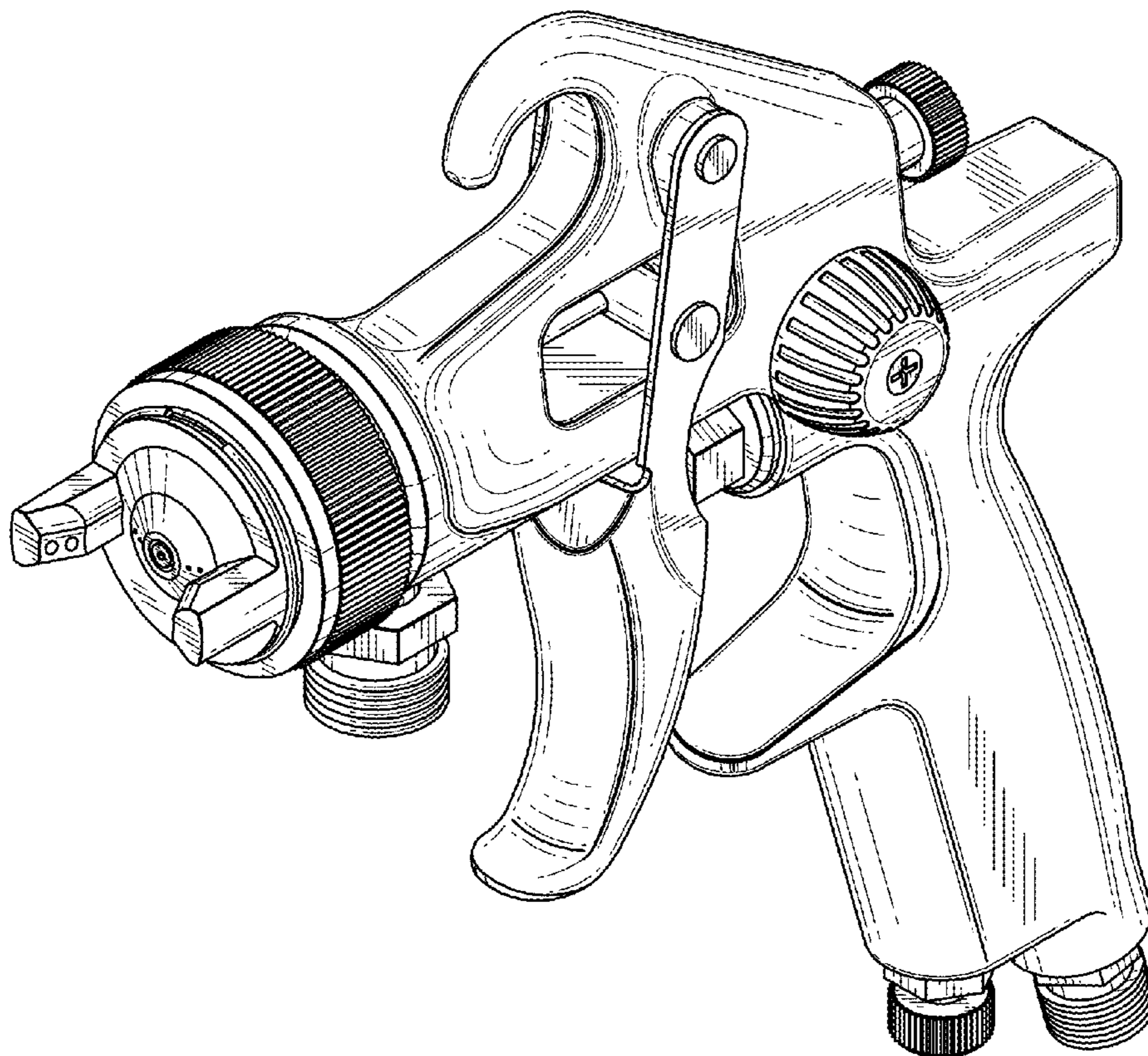
FIG. 1 is a perspective view of a paint spray gun showing my new design;  
FIG. 2 is a front elevational view thereof;  
FIG. 3 is a rear elevational view thereof;  
FIG. 4 is a left side elevational view thereof;  
FIG. 5 is a right side elevational view thereof;  
FIG. 6 is a top plan view thereof; and,  
FIG. 7 is a bottom plan view thereof.

**1 Claim, 7 Drawing Sheets**

(56) **References Cited**

**U.S. PATENT DOCUMENTS**

D537,505 S *	2/2007	Huang	.....	D23/226
D583,013 S *	12/2008	Wang	.....	D23/226
D604,394 S *	11/2009	Wang	.....	D23/226



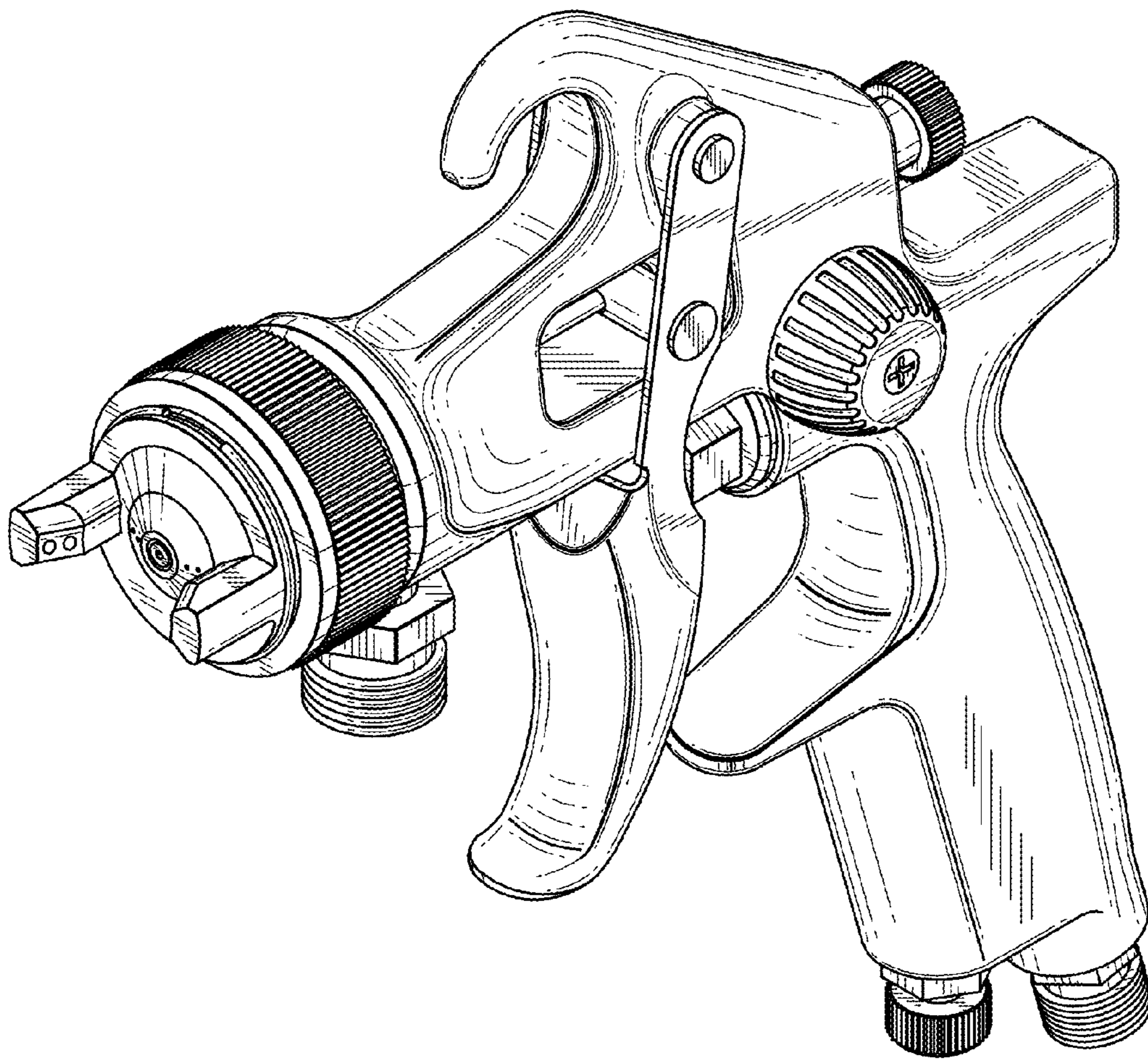


FIG. 1

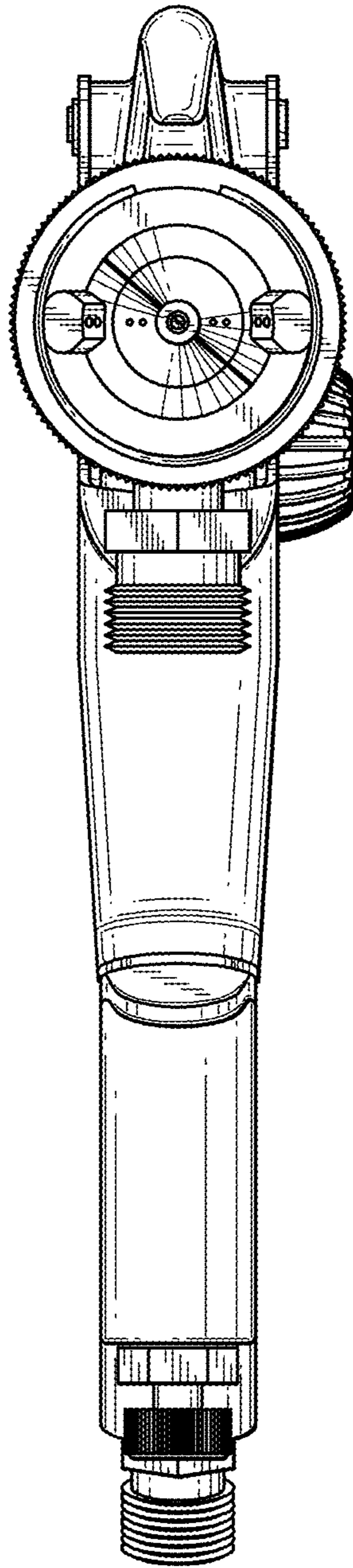


FIG.2

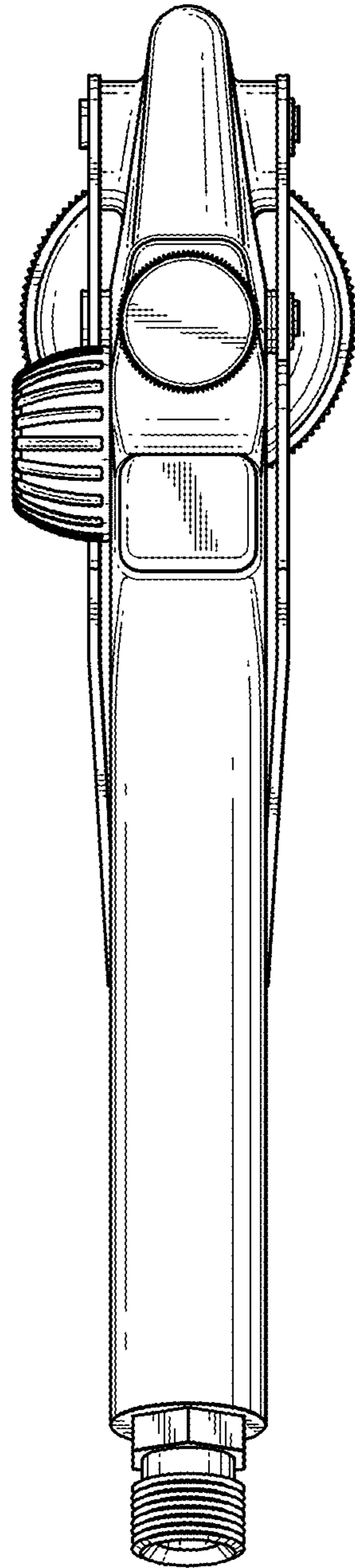


FIG.3

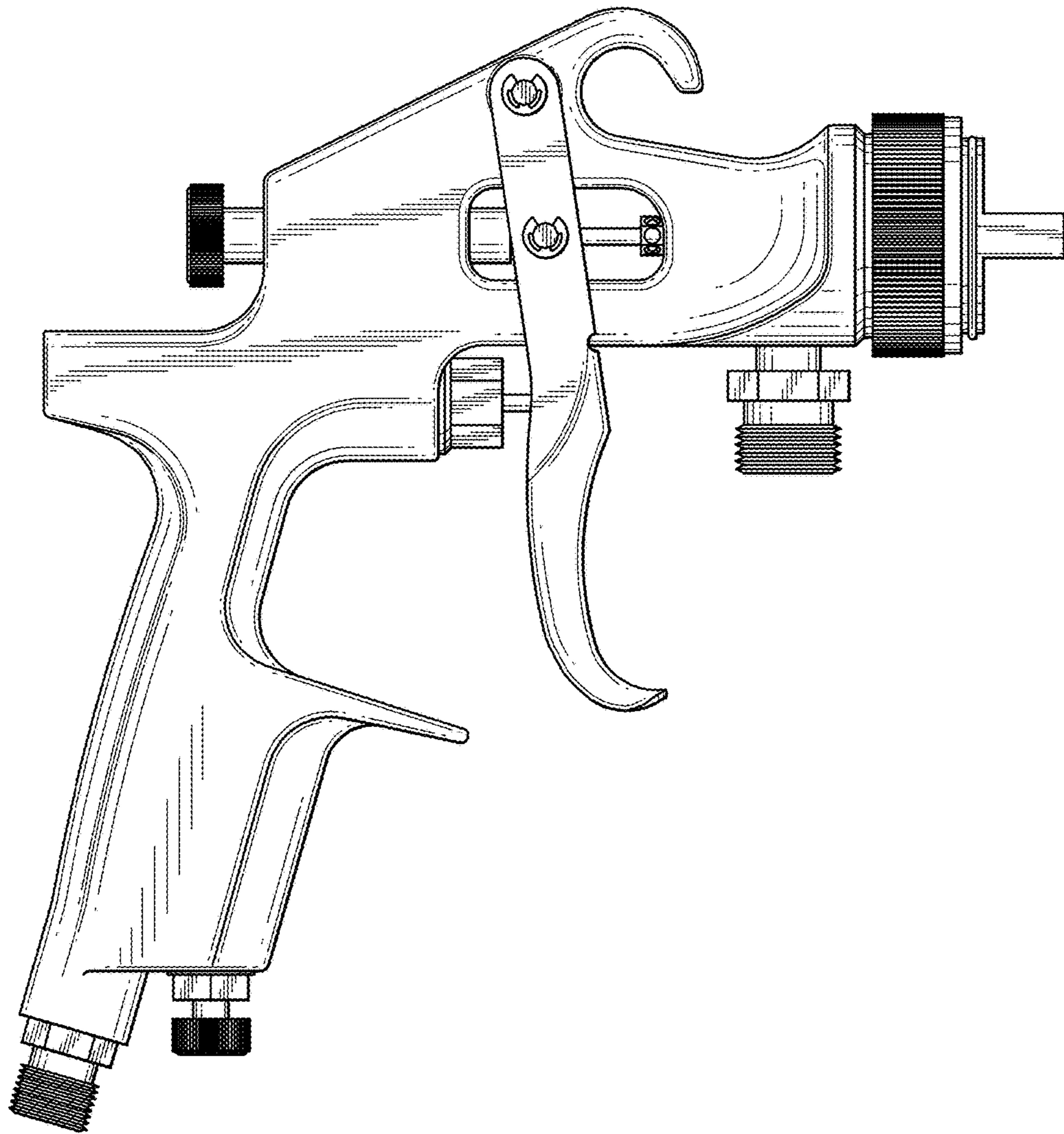


FIG. 4

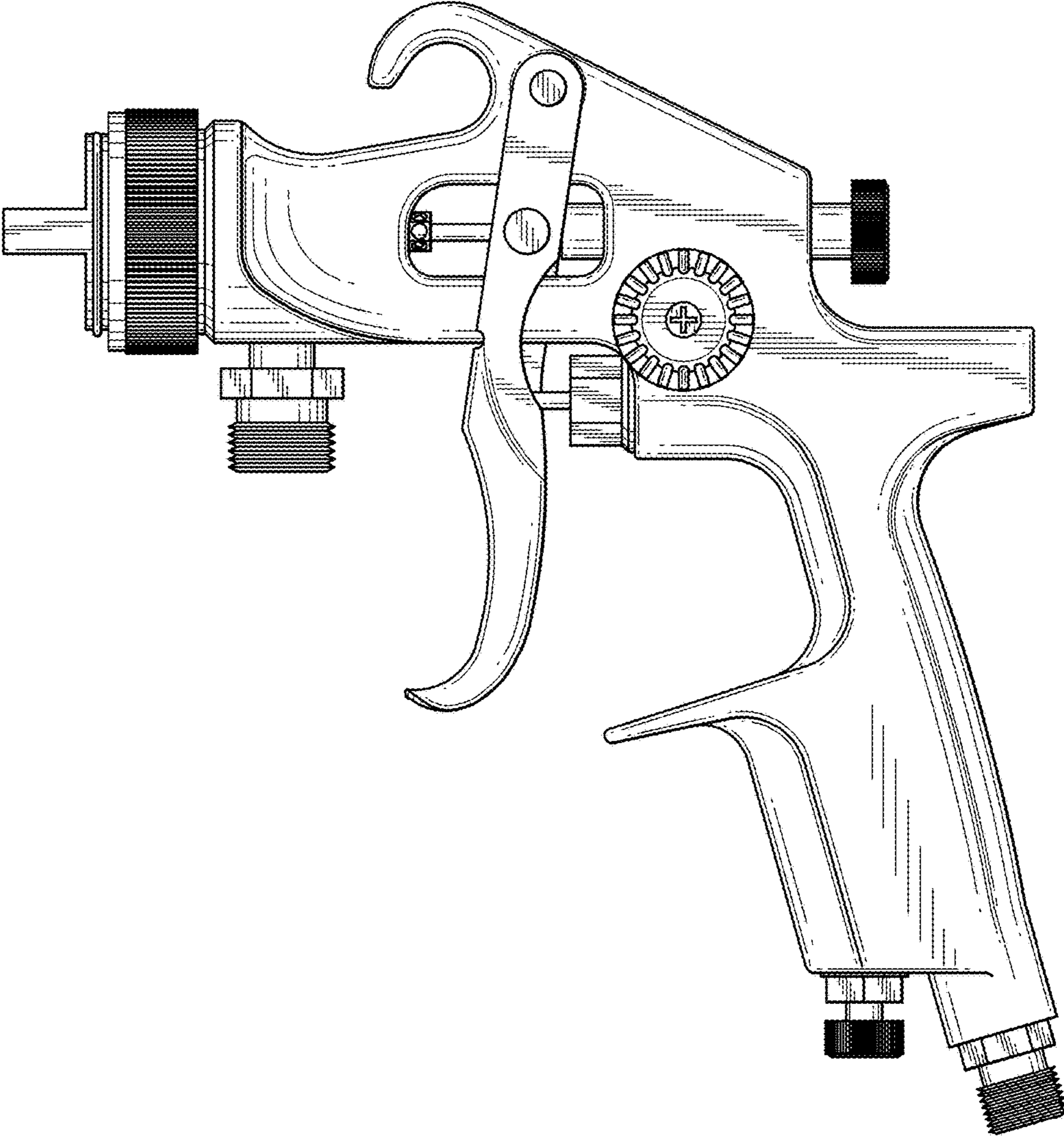


FIG.5

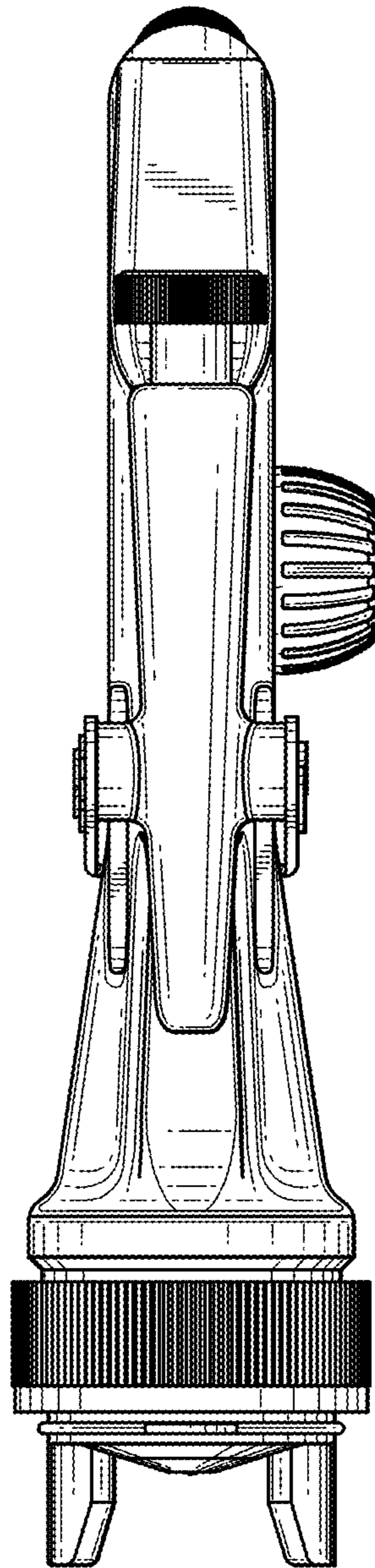


FIG.6

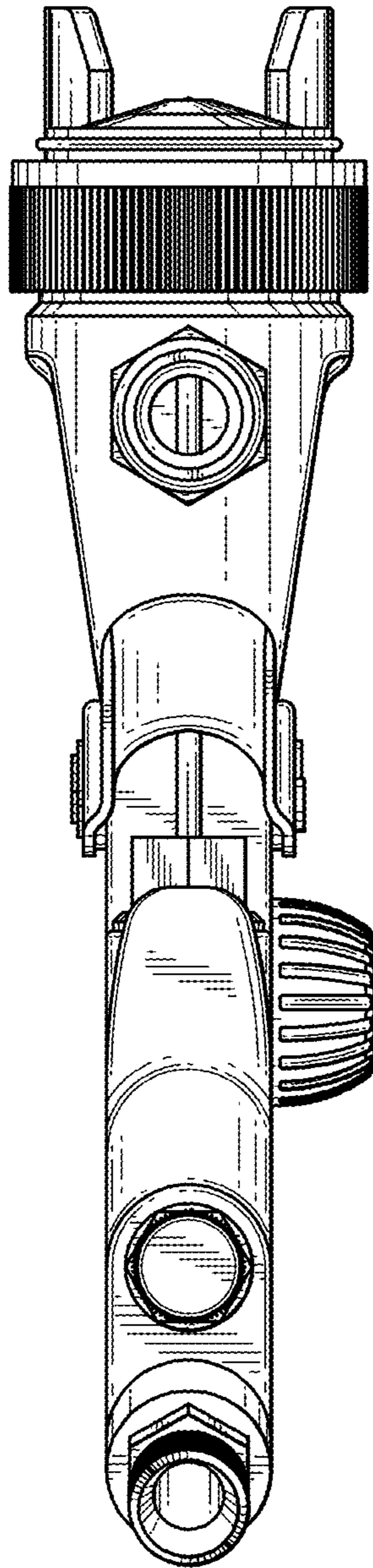


FIG. 7