



US00D792555S

(12) **United States Design Patent** (10) **Patent No.:** **US D792,555 S**
Hung (45) **Date of Patent:** **** Jul. 18, 2017**

(54) **SPRINKLER GUN**
(71) Applicant: **Chen-Fu Hung**, Changhua (TW)
(72) Inventor: **Chen-Fu Hung**, Changhua (TW)
(73) Assignee: **Ruey Ryh Enterprise Co., Ltd.**,
Changhua County (TW)
(**) Term: **15 Years**

D532,077 S * 11/2006 Chen D23/213
D554,231 S * 10/2007 Chih D23/213
D604,801 S * 11/2009 Zore D23/213
D614,729 S * 4/2010 Cheng D23/223
D640,772 S * 6/2011 Cummings D23/213
D641,068 S * 7/2011 Pendleton D23/226
D747,440 S * 1/2016 Naslund D23/213
D755,925 S * 5/2016 Park D15/7
D760,351 S * 6/2016 Weidmann D23/226
2011/0127356 A1* 6/2011 Hsu B05B 9/01
239/526
2016/0167070 A1* 6/2016 Chiu B05B 9/01
239/289

(21) Appl. No.: **29/559,789**
(22) Filed: **Mar. 31, 2016**
(51) **LOC (10) Cl.** **23-01**
(52) **U.S. Cl.**
USPC **D23/223**
(58) **Field of Classification Search**
USPC D23/213, 223-225, 230, 283, 303
CPC .. B05B 9/01; B05B 1/00; B05B 1/005; B05B
7/1209
See application file for complete search history.

* cited by examiner

Primary Examiner — Robin V Webster
Assistant Examiner — Rachel Voorhies
(74) *Attorney, Agent, or Firm* — Senniger Powers LLP

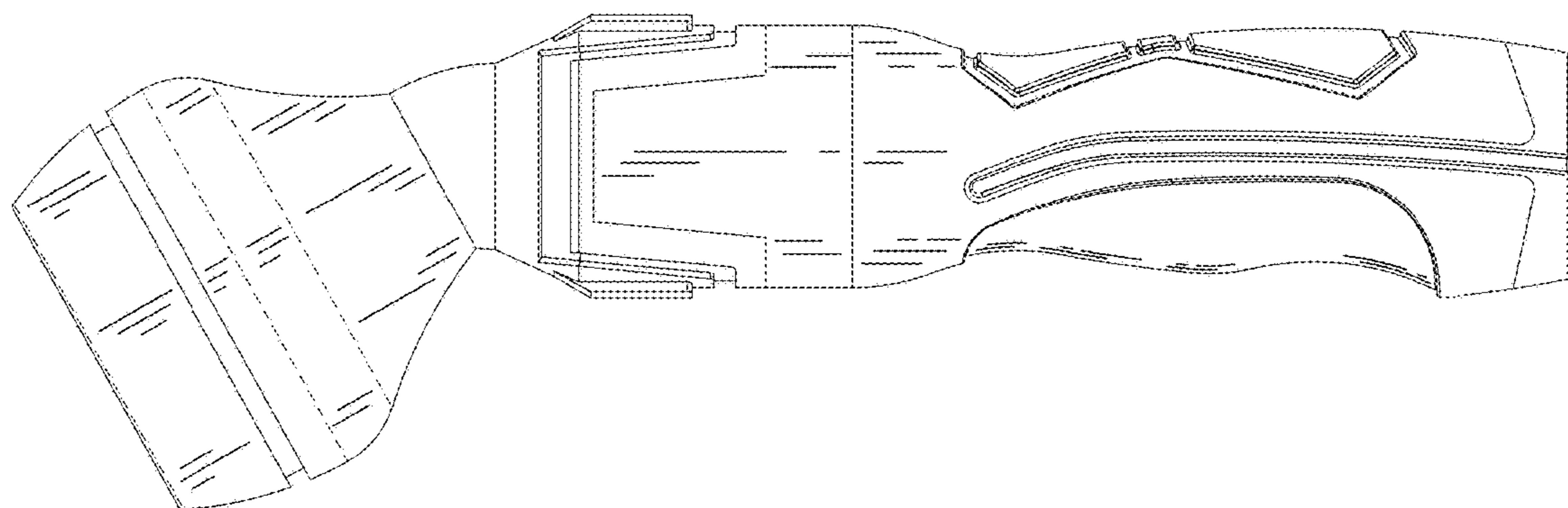
(57) **CLAIM**
The ornamental design for a sprinkler gun, as shown and described.

DESCRIPTION

FIG. 1 is a perspective view of a sprinkler gun showing my new design;
FIG. 2 is a front elevational view thereof;
FIG. 3 is a rear elevational view thereof;
FIG. 4 is a left side elevational view thereof;
FIG. 5 is a right side elevational view thereof;
FIG. 6 is a top plan view thereof; and,
FIG. 7 is a bottom plan view thereof.

1 Claim, 7 Drawing Sheets

(56) **References Cited**
U.S. PATENT DOCUMENTS
D290,993 S * 7/1987 Clivio D23/226
D381,065 S * 7/1997 Chretien D23/213
D412,356 S * 7/1999 Hui-Chen D23/213
D417,483 S * 12/1999 Cornford D23/213
D447,789 S * 9/2001 Chang D23/223
D471,618 S * 3/2003 Nien D23/226
D490,498 S * 5/2004 Golichowski D23/213



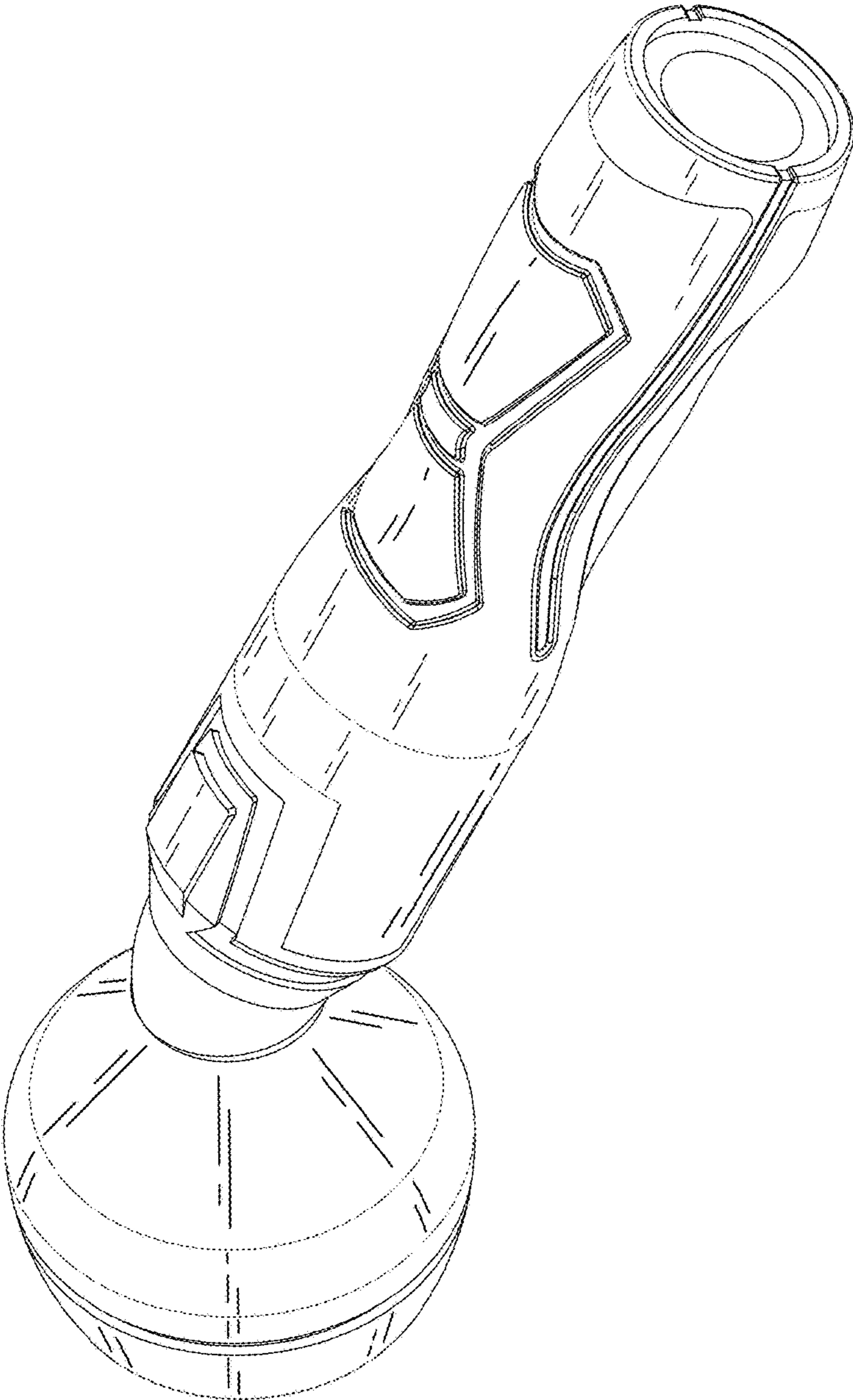


FIG.1

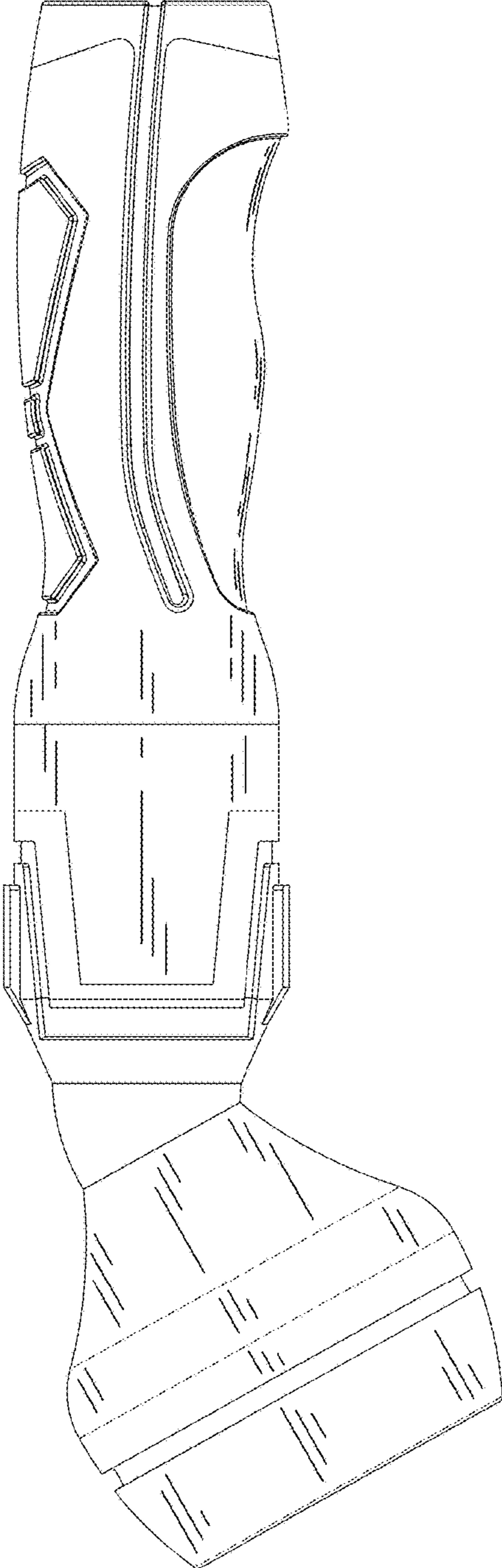


FIG. 2

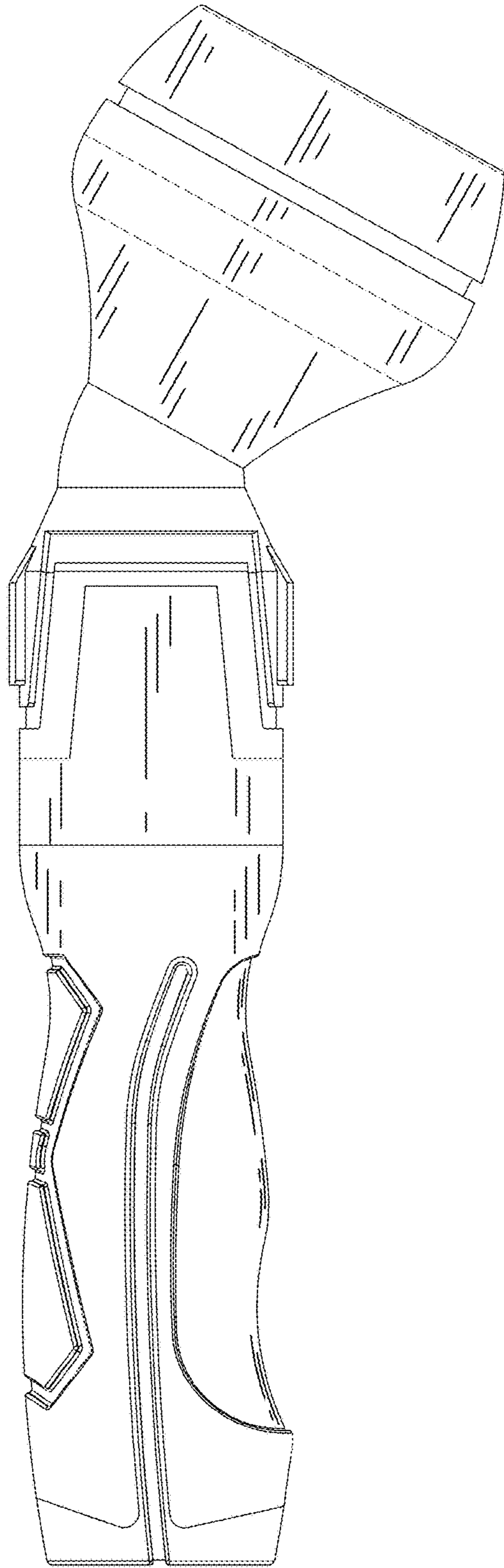


FIG. 3

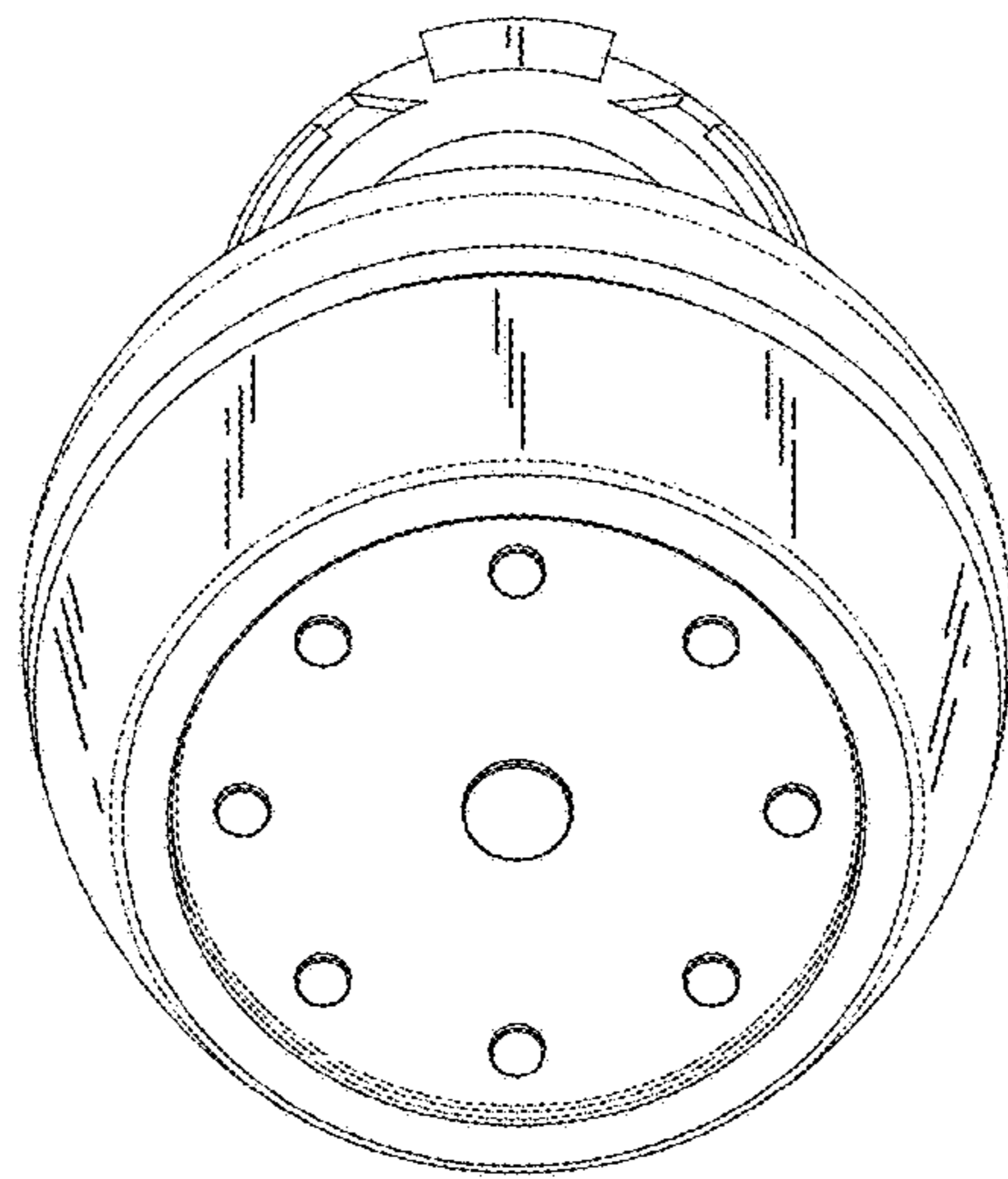


FIG.4

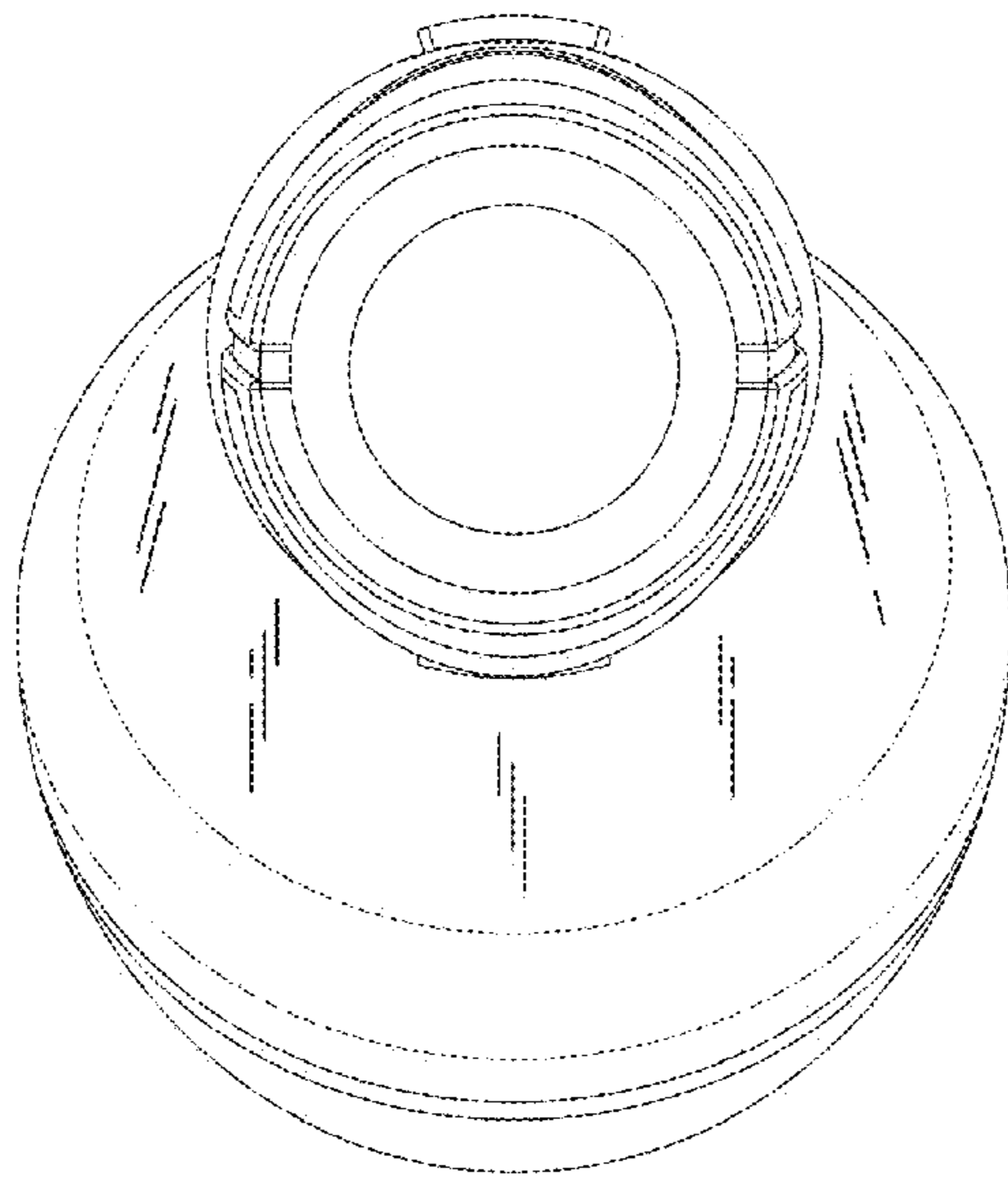


FIG.5

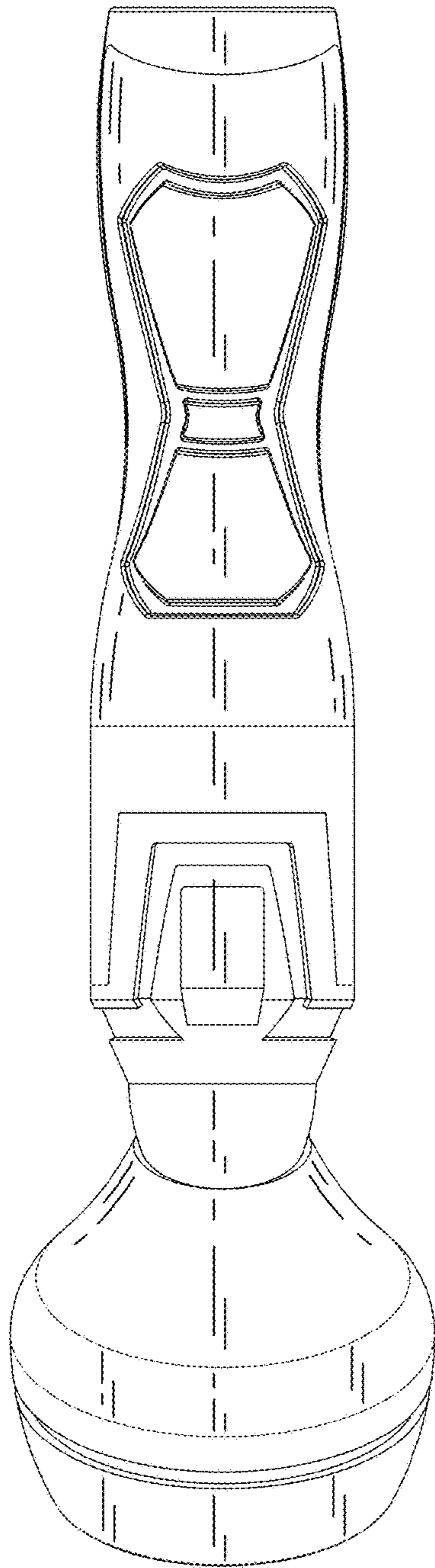


FIG. 6

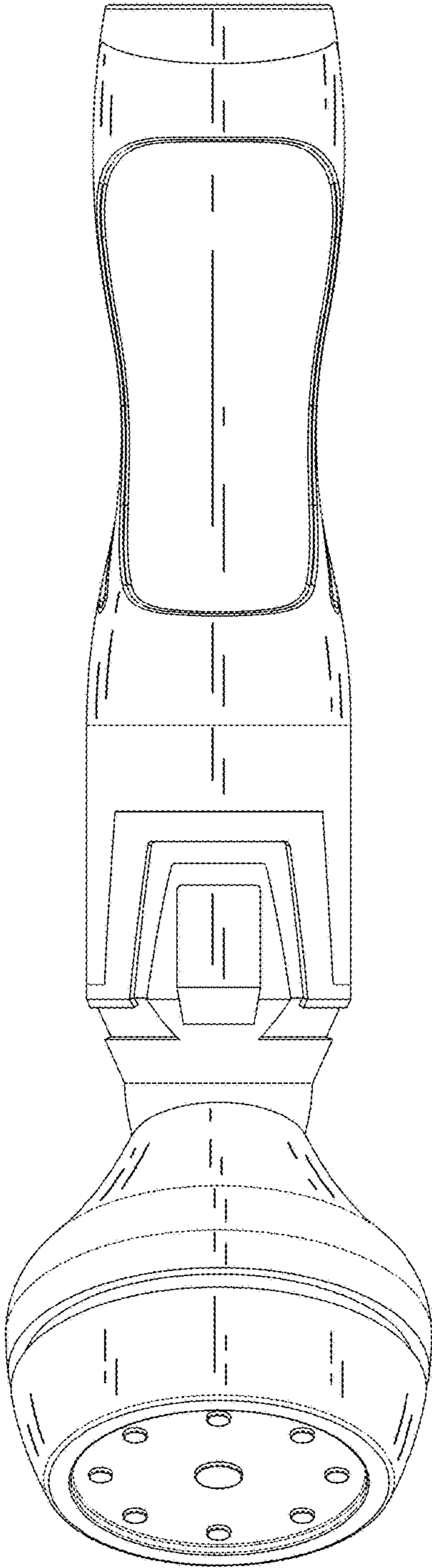


FIG. 7