



US00D792553S

(12) **United States Design Patent**
Hierro

(10) **Patent No.:** **US D792,553 S**
(45) **Date of Patent:** **** Jul. 18, 2017**

(54) **WATER TREATMENT APPARATUS**

7,387,726 B2 * 6/2008 Wolf B01D 29/055
210/232

(71) Applicant: **Alain Hierro**, Torrevieja (ES)

D650,886 S * 12/2011 Bridges D23/207

(72) Inventor: **Alain Hierro**, Torrevieja (ES)

8,308,835 B2 * 11/2012 Dworatzek B01D 29/21
210/437

(**) Term: **15 Years**

D750,737 S * 3/2016 Ashley D23/209

* cited by examiner

(21) Appl. No.: **29/559,580**

Primary Examiner — Robin V Webster

(22) Filed: **Mar. 30, 2016**

(74) *Attorney, Agent, or Firm* — Collard & Roe, P.C.

(30) **Foreign Application Priority Data**

Oct. 1, 2015 (EM) 002806182-0001

(51) **LOC (10) Cl.** **23-01**

(52) **U.S. Cl.**

USPC **D23/209**

(58) **Field of Classification Search**

USPC D23/207, 209; 210/232, 234, 235, 236,
210/244, 497.01, 266, 282

CPC B01D 35/30; B01D 35/153; B01D 29/111;
C02F 1/003

See application file for complete search history.

(56) **References Cited**

U.S. PATENT DOCUMENTS

D466,969 S * 12/2002 Druga D23/209

7,163,625 B1 * 1/2007 Williamson B01D 39/1615

210/315

(57) **CLAIM**

The ornamental design for a water treatment apparatus, as shown and described.

DESCRIPTION

FIG. 1 is a front and top perspective of a water treatment apparatus, showing my new design;

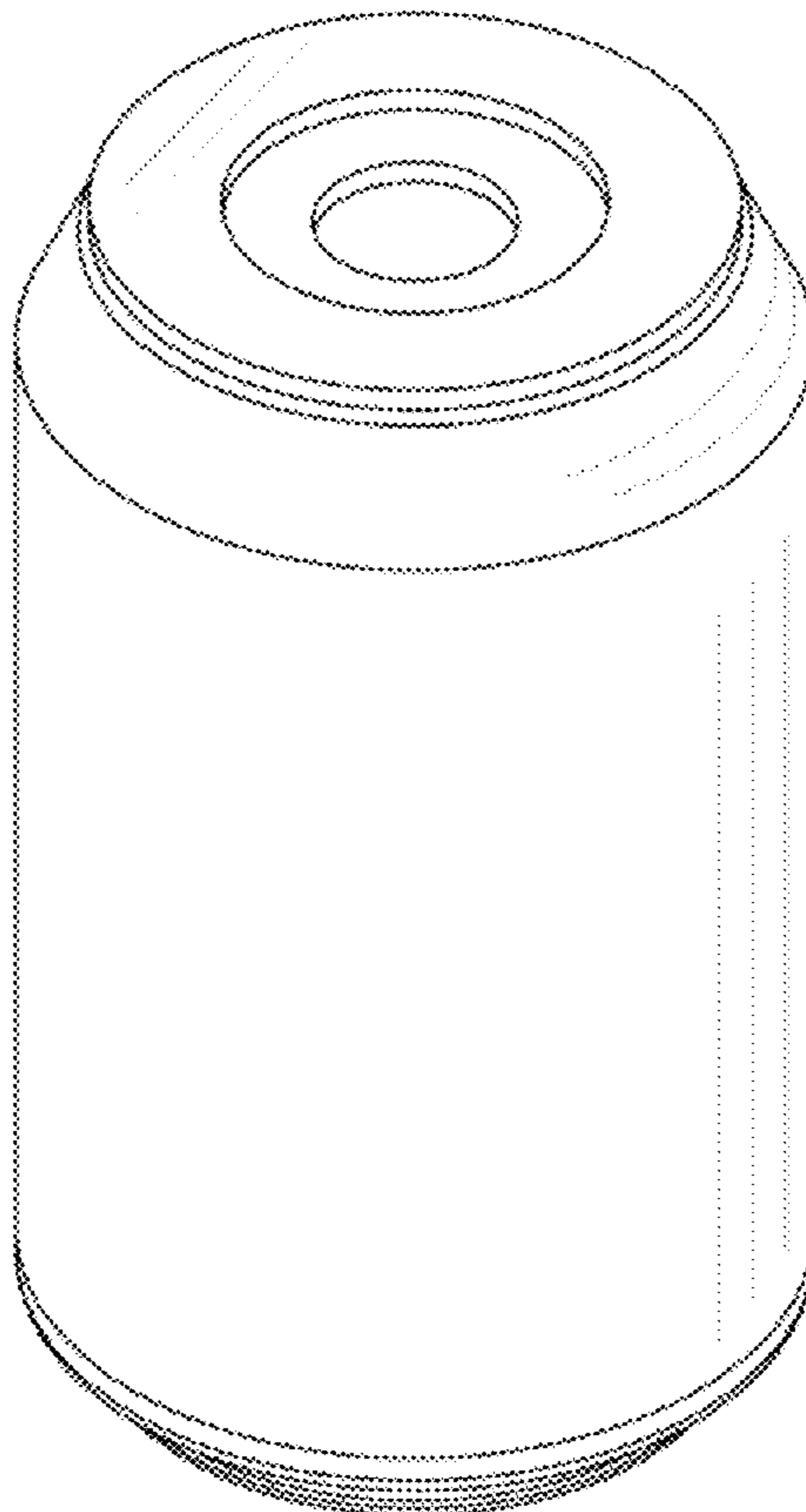
FIG. 2 is a rear and bottom perspective view thereof;

FIG. 3 is a top view thereof;

FIG. 4 is a bottom view thereof; and,

FIG. 5 is a side view thereof, with the opposite side view being identical.

1 Claim, 4 Drawing Sheets



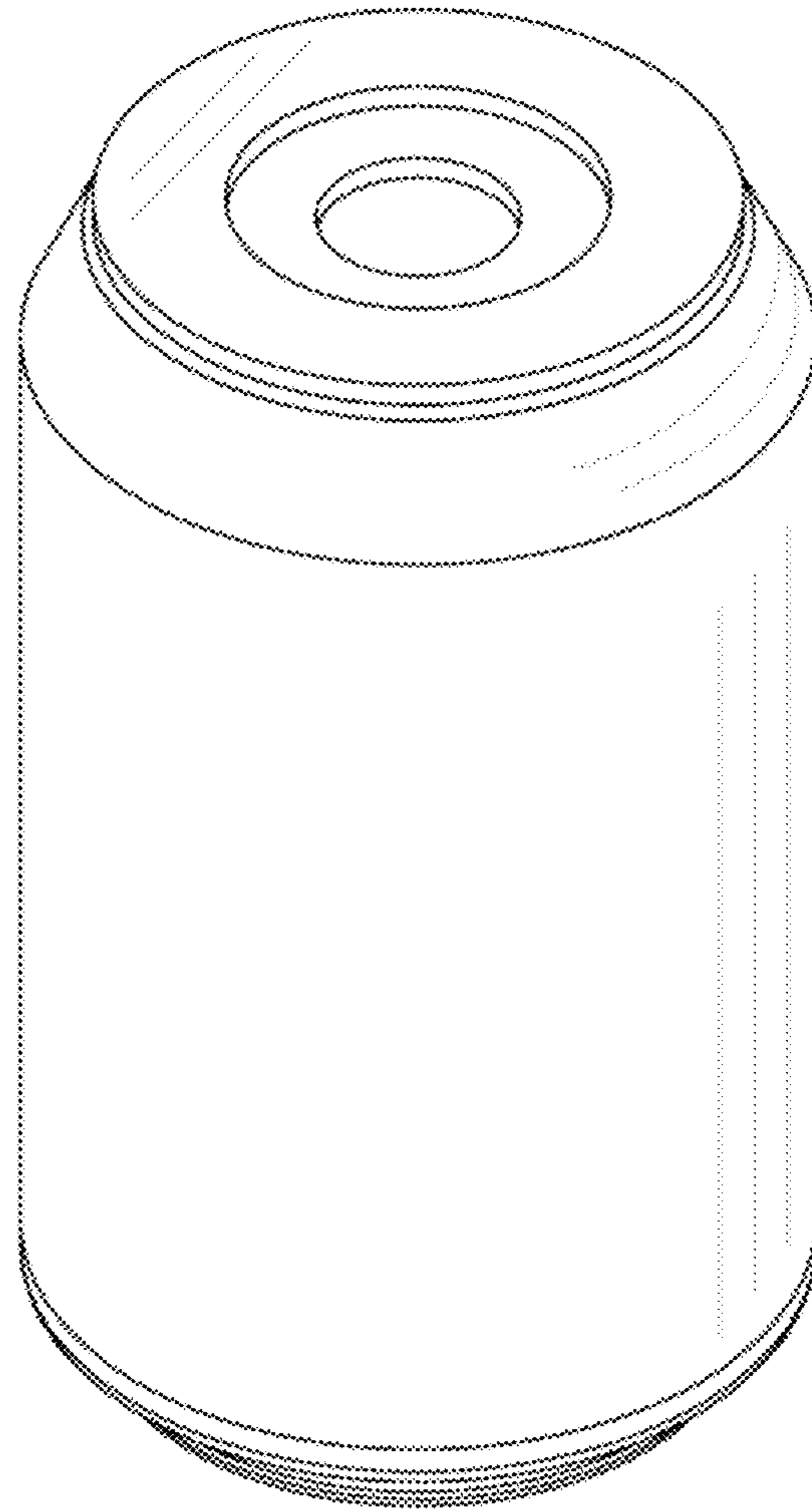


FIG. 1

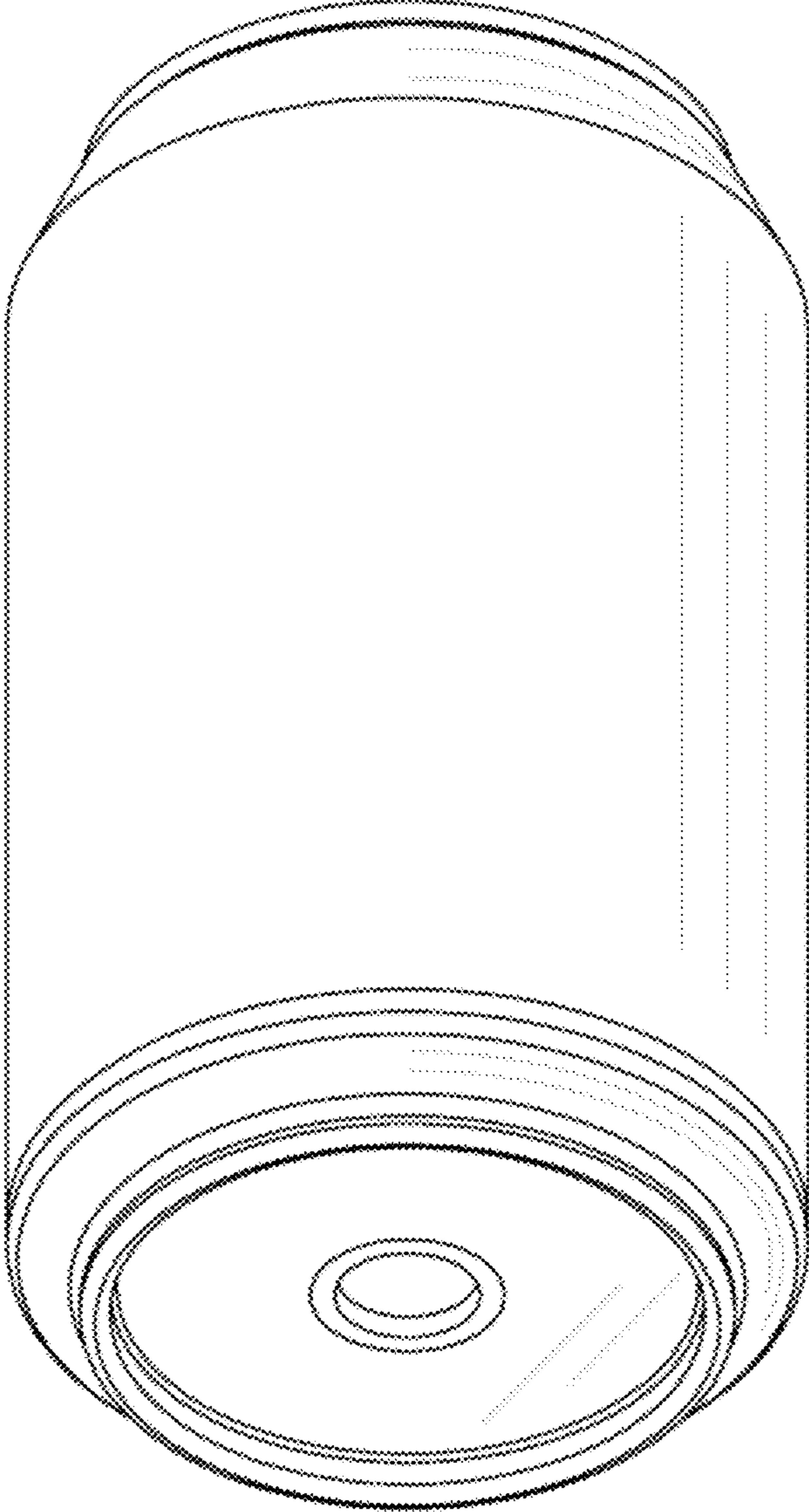


FIG. 2

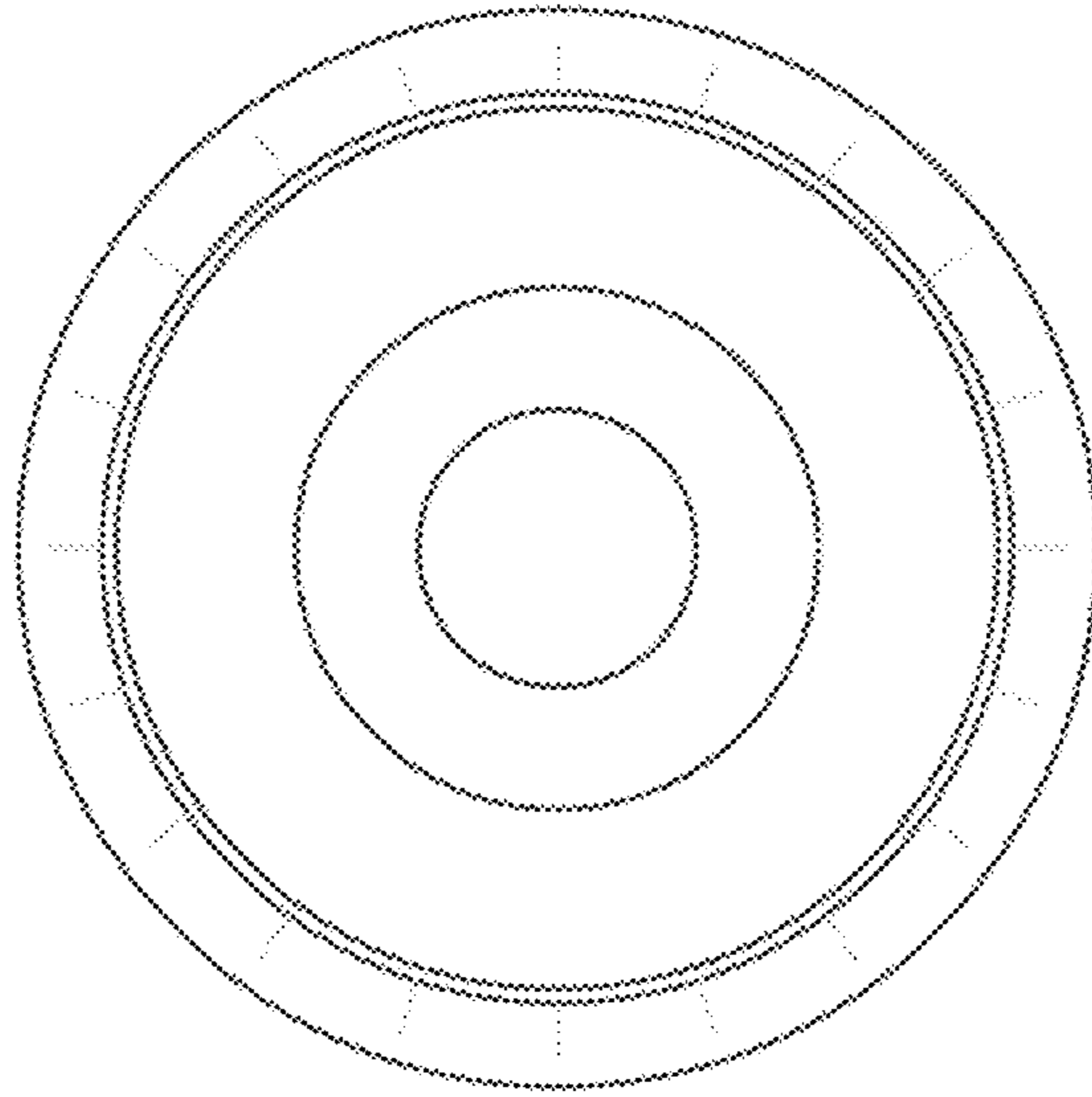


FIG. 3

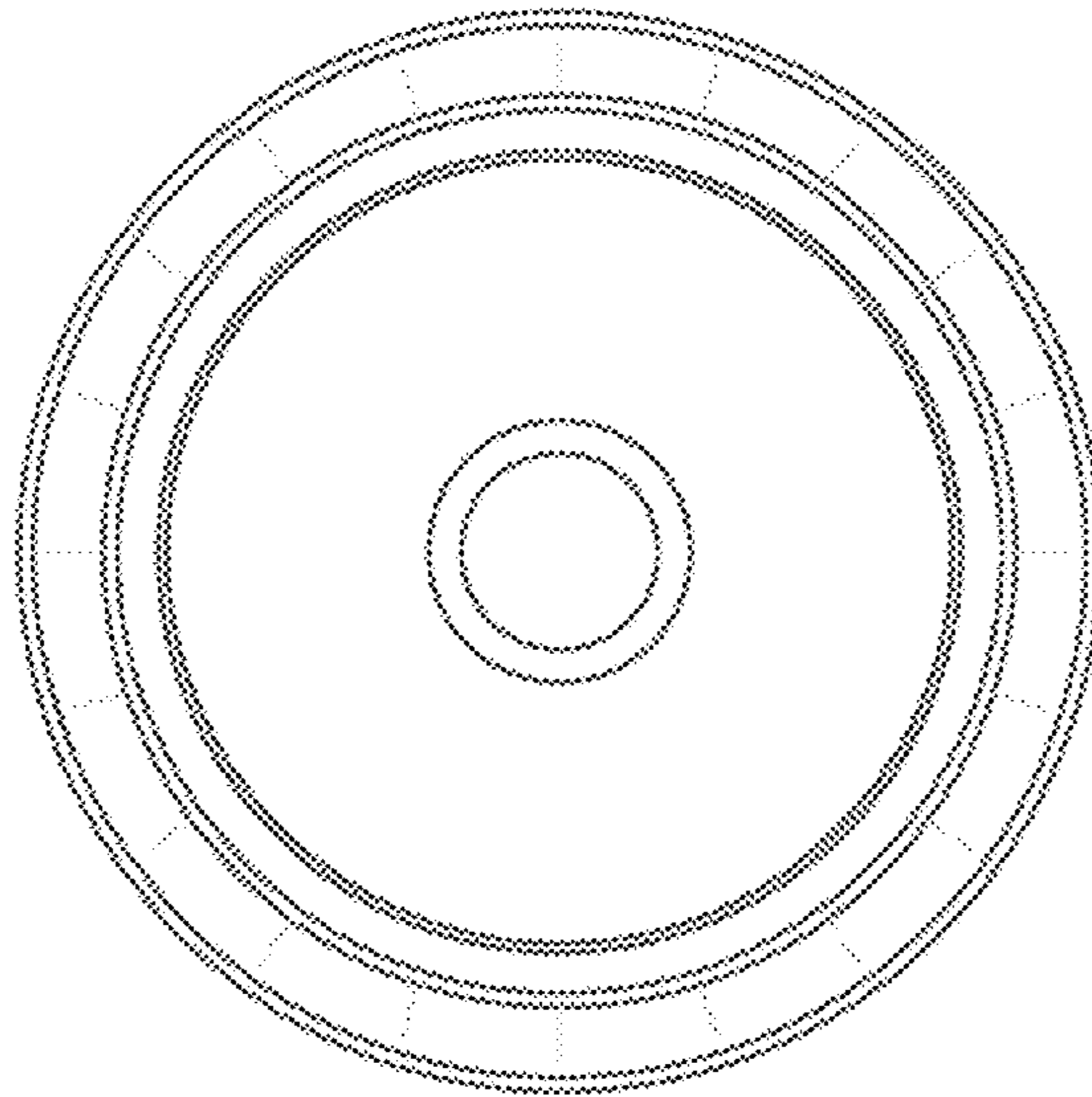


FIG. 4

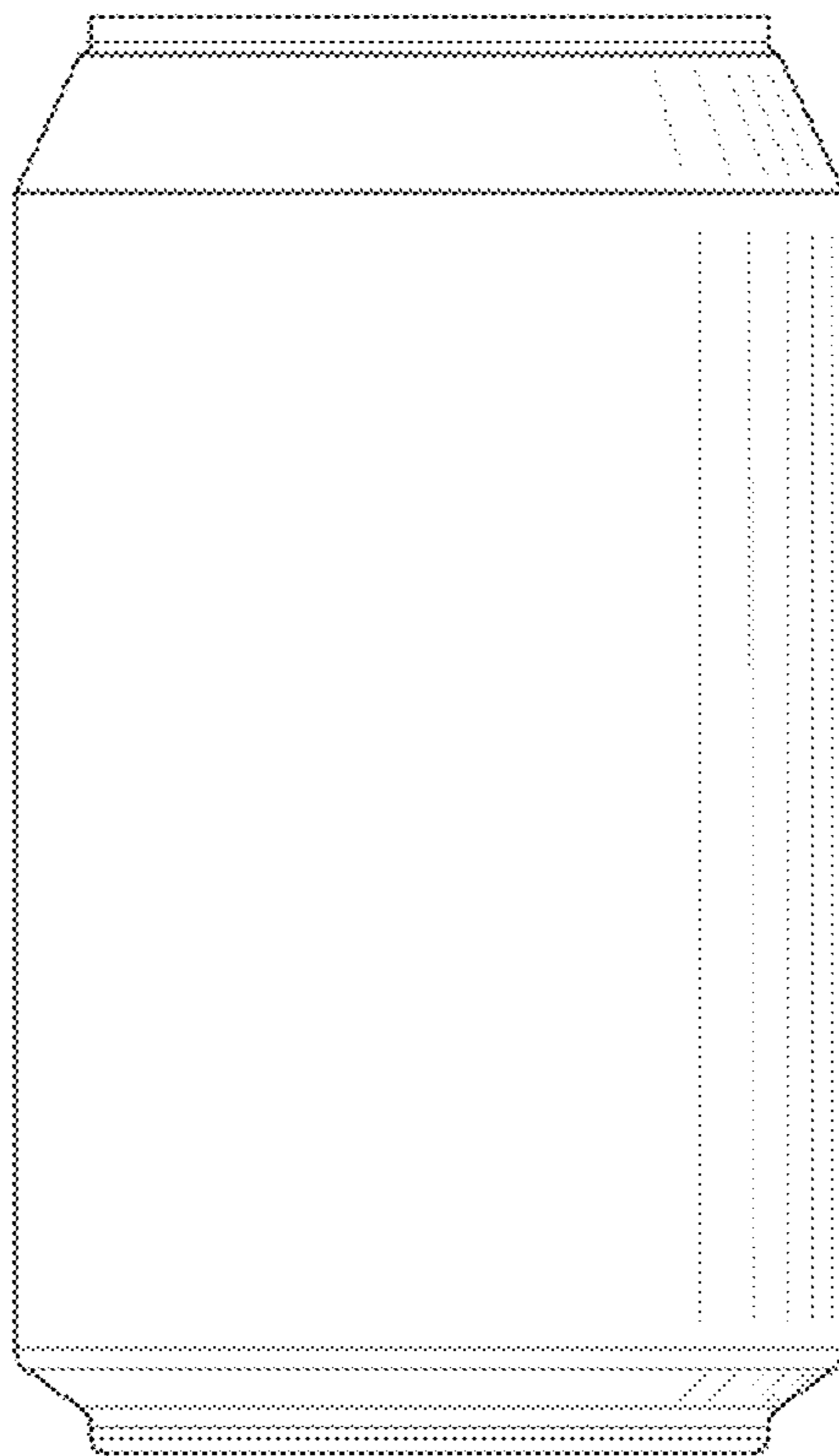


FIG. 5