



US00D792552S

(12) **United States Design Patent**
DiTullio

(10) **Patent No.:** **US D792,552 S**

(45) **Date of Patent:** **** Jul. 18, 2017**

(54) **SEPTIC CHAMBER**

(71) Applicant: **Robert J. DiTullio**, Brookfield, CT
(US)

(72) Inventor: **Robert J. DiTullio**, Brookfield, CT
(US)

(**) Term: **15 Years**

(21) Appl. No.: **29/585,321**

(22) Filed: **Nov. 22, 2016**

(51) **LOC (10) Cl.** **23-01**

(52) **U.S. Cl.**
USPC **D23/207**

(58) **Field of Classification Search**
USPC D23/207, 209; 210/170.03; 405/42-49
CPC E02B 11/005; E03F 1/003
See application file for complete search history.

(56) **References Cited**

U.S. PATENT DOCUMENTS

5,087,151	A *	2/1992	DiTullio	E03F 1/003
					138/105
D329,684	S *	9/1992	Gray	D23/207
D474,524	S *	5/2003	Benecke	D23/207
D477,381	S *	7/2003	Benecke	D23/207
6,698,975	B1 *	3/2004	Benecke	E03F 1/003
					405/43
D537,912	S	3/2007	Benecke		
D538,387	S *	3/2007	Benecke	D23/207

7,637,691	B1	12/2009	DiTullio		
D613,819	S	4/2010	DiTullio		
7,806,627	B2 *	10/2010	DiTullio	E03F 1/003
					405/46
D630,294	S *	1/2011	Hardesty	D23/207
D638,095	S *	5/2011	DiTullio	D23/202
D668,318	S	10/2012	DiTullio		
8,366,346	B2 *	2/2013	DiTullio	E03F 1/003
					405/43

* cited by examiner

Primary Examiner — Robin V Webster

(74) *Attorney, Agent, or Firm* — St Onge Steward
Johnston and Reens LLC

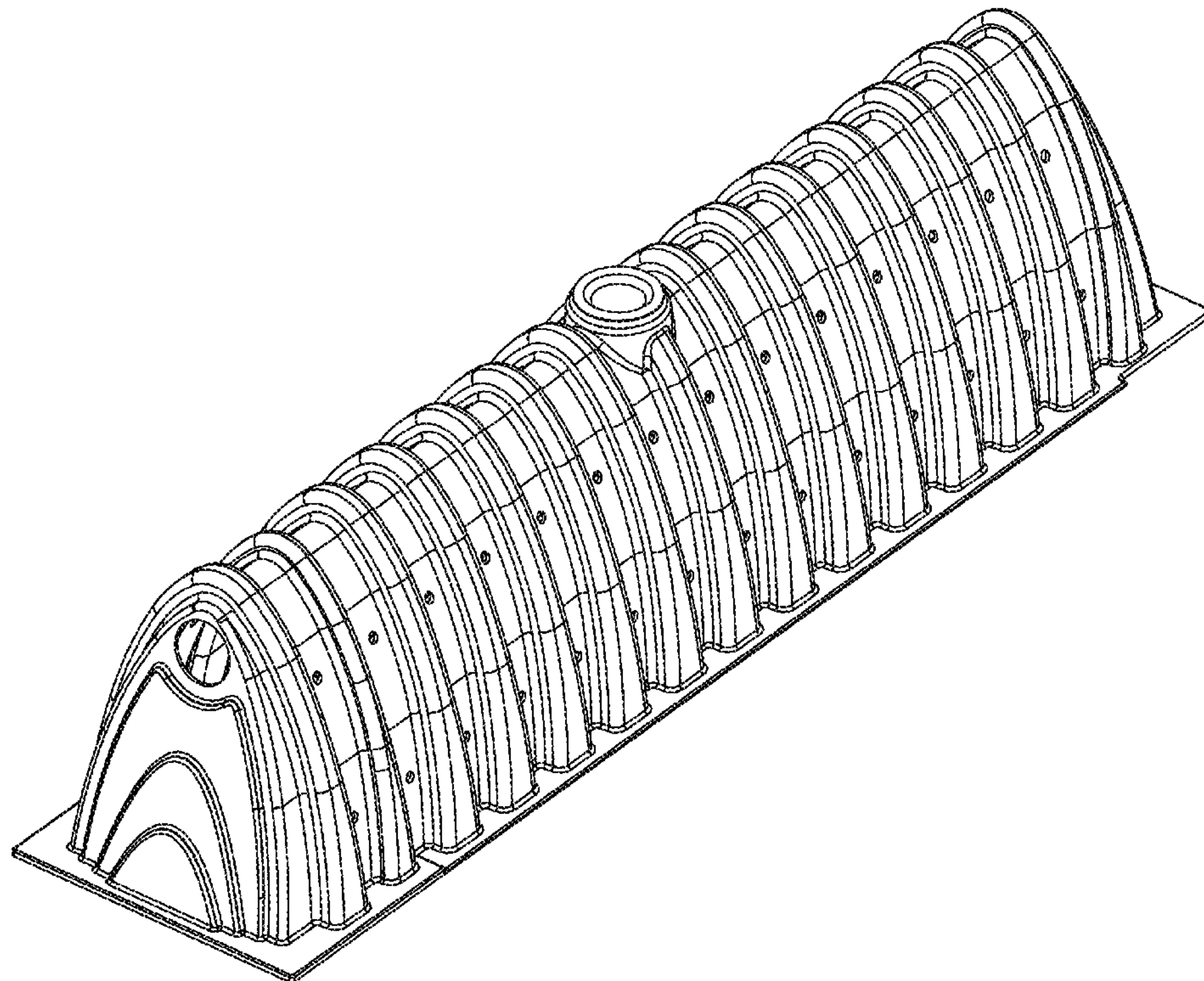
(57) **CLAIM**

The ornamental design for a septic chamber, as shown and described.

DESCRIPTION

FIG. 1 is a front, top and left side perspective view of a septic chamber in accordance with the new design; FIG. 2 is a top plan view thereof; FIG. 3 is a rear elevational view thereof; FIG. 4 is a left side elevational view thereof; FIG. 5 is a front elevational view thereof; FIG. 6 is a right side elevational view thereof; and, FIG. 7 is a bottom plan view thereof. The broken lines in FIG. 7 are for the purpose of illustrating the boundary of the claimed design and forms no part of the claimed design.

1 Claim, 7 Drawing Sheets



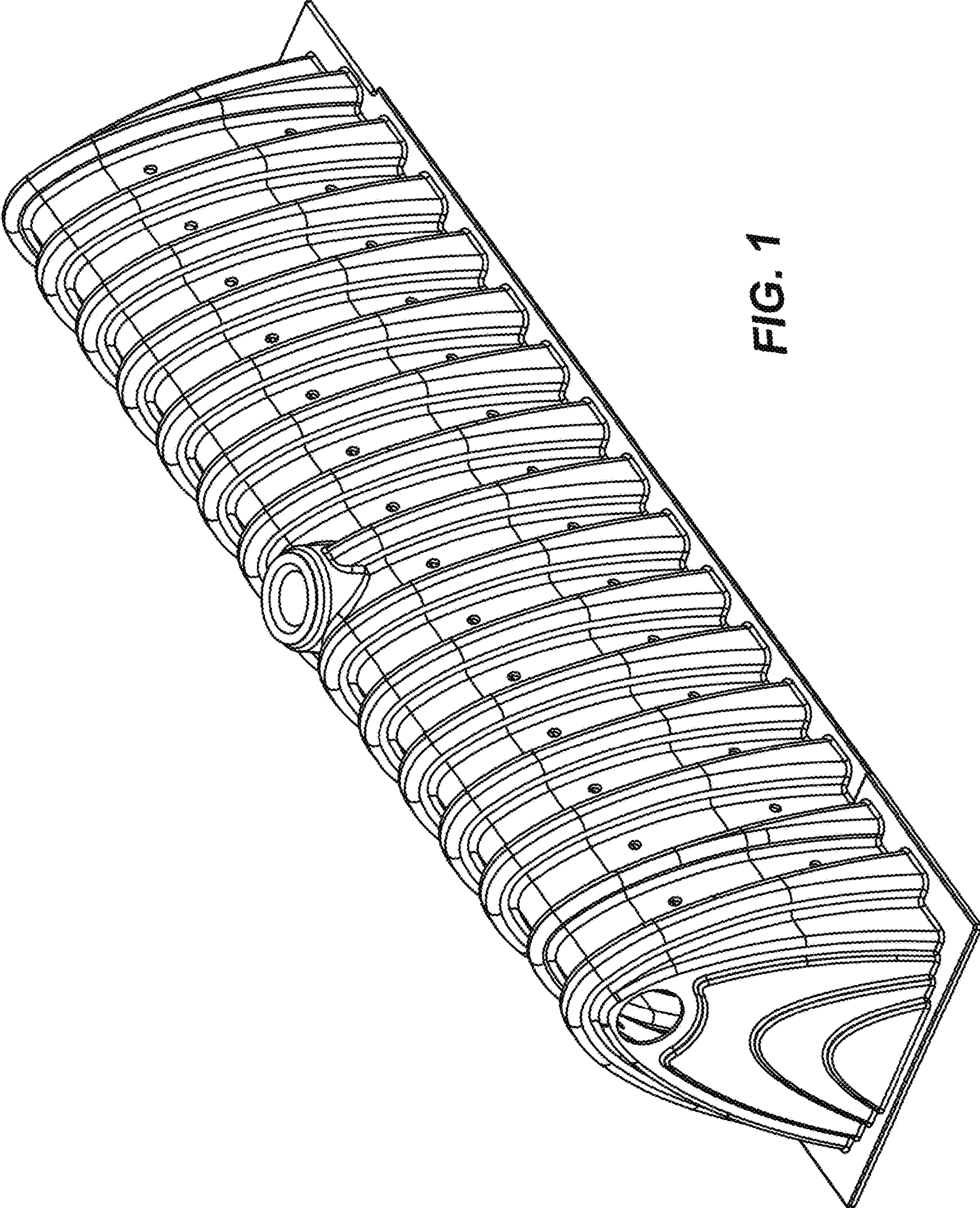


FIG. 1

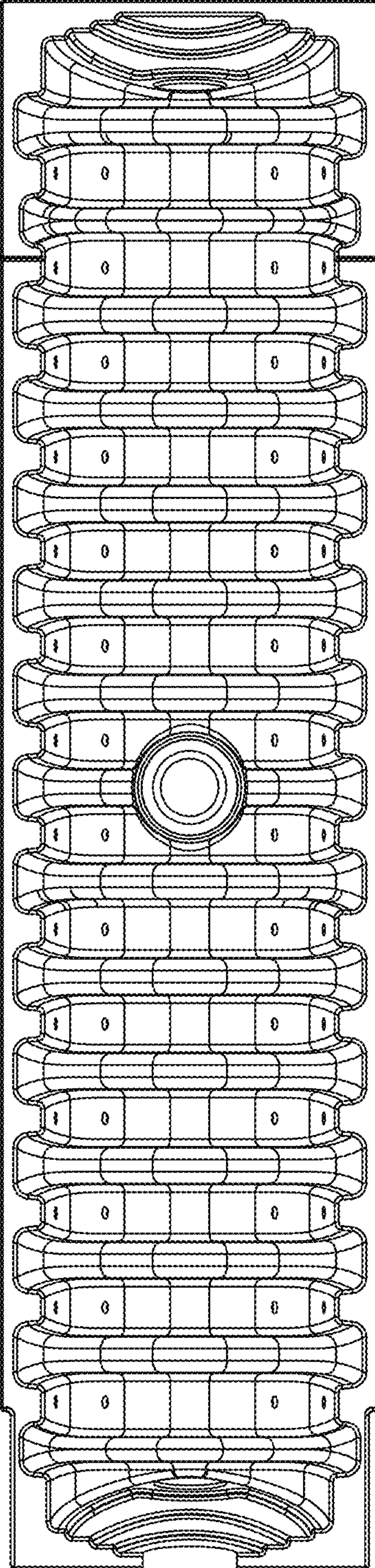


FIG. 2

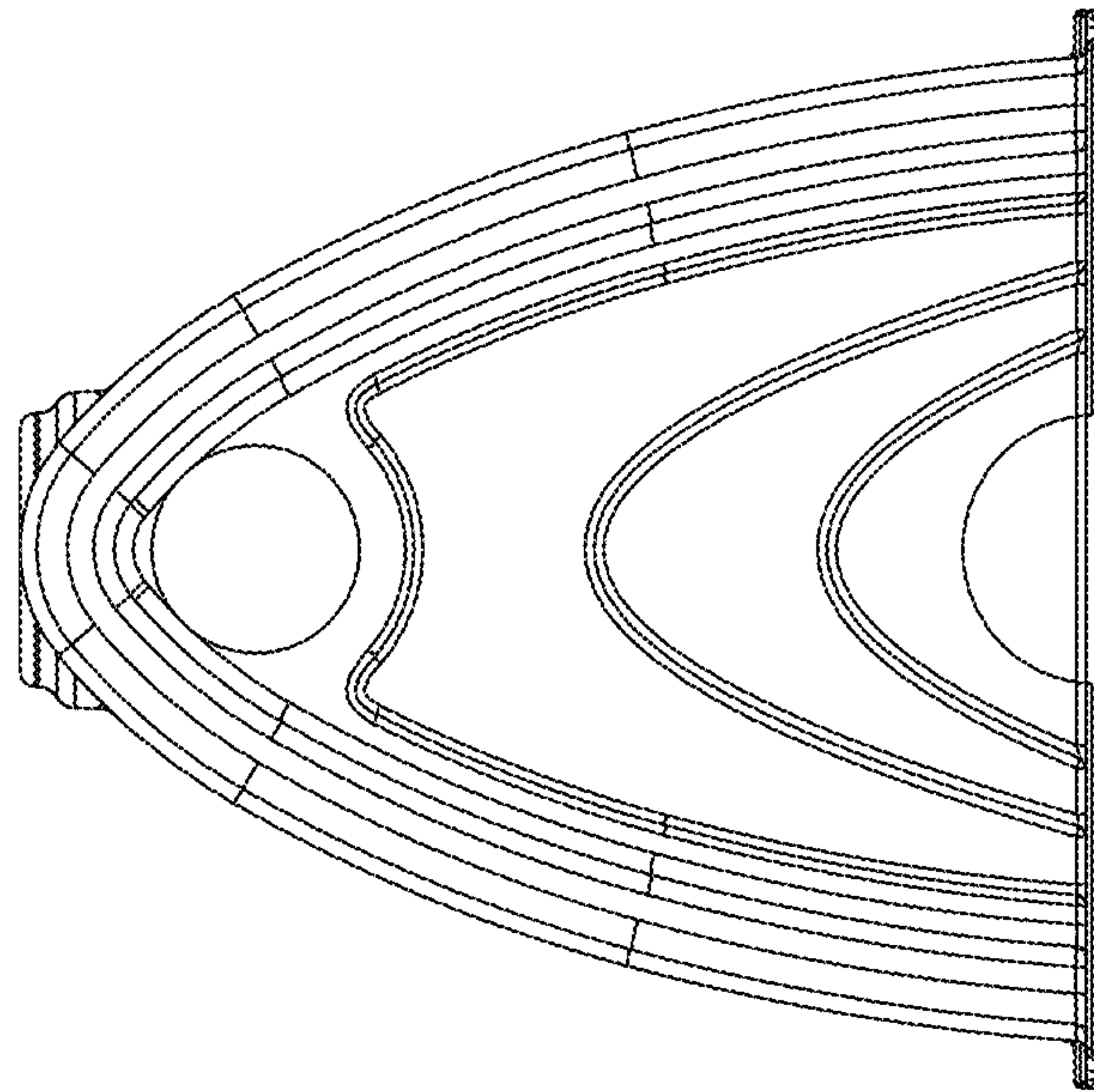


FIG. 3

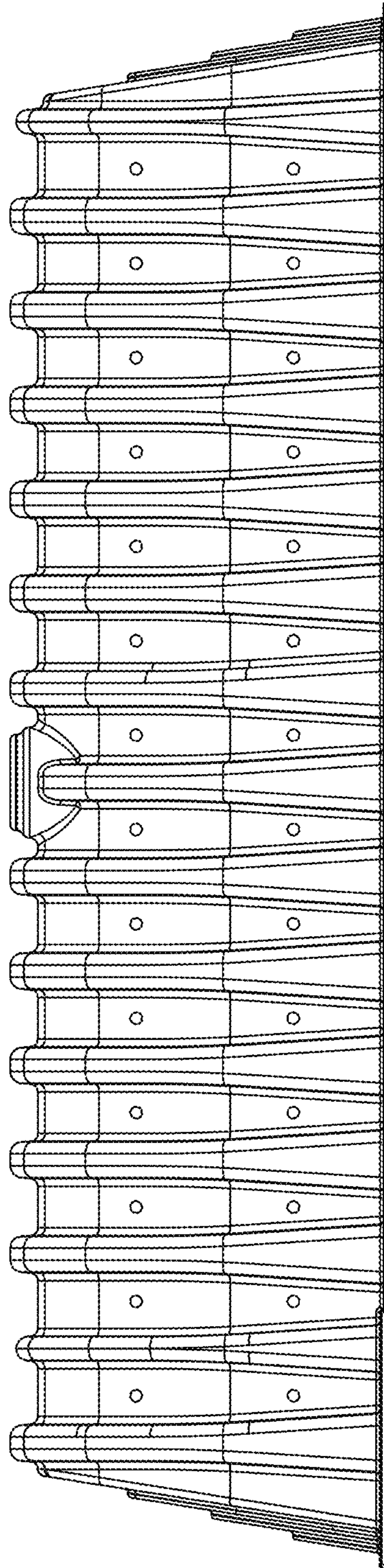


FIG. 4

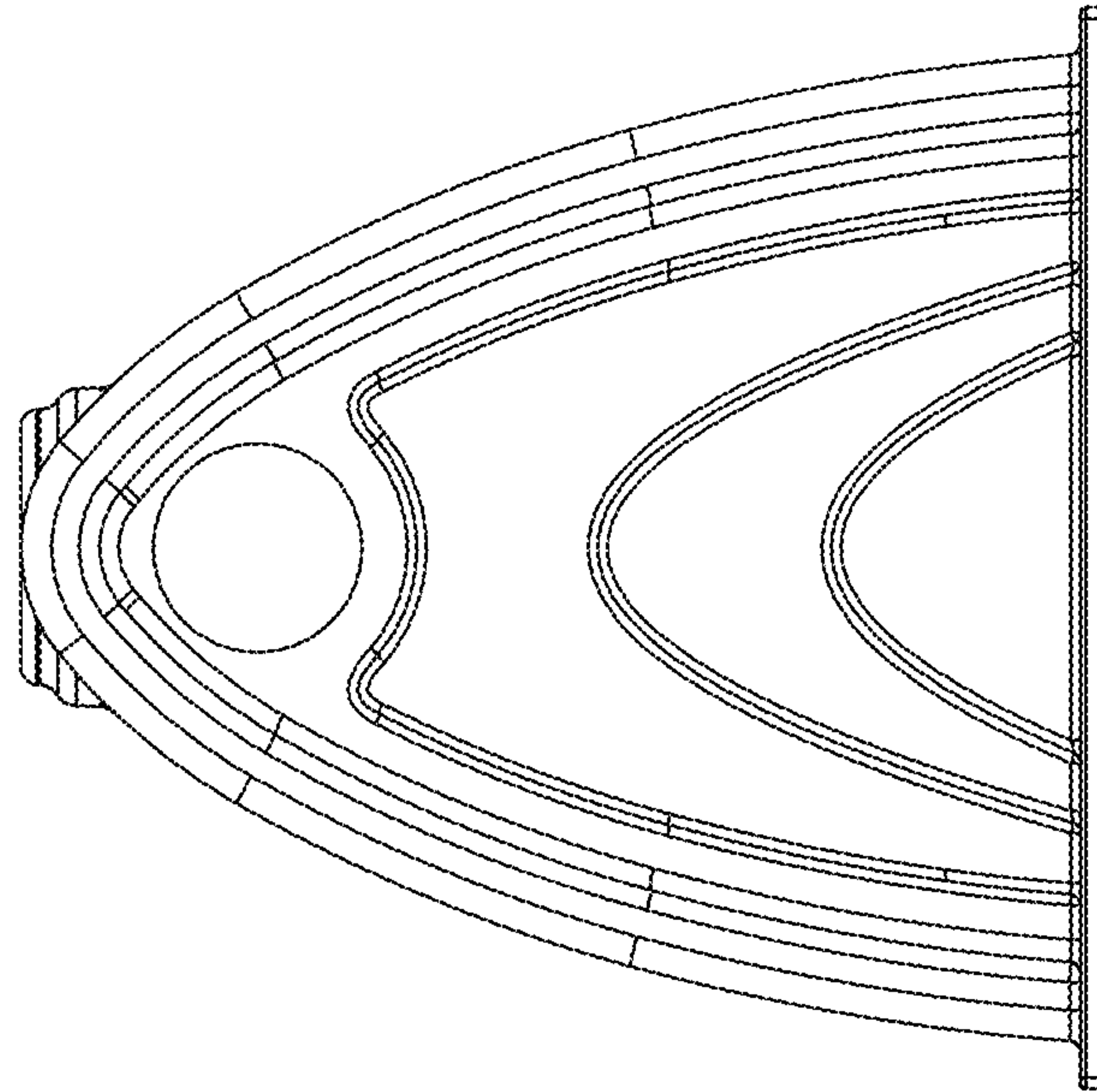


FIG. 5

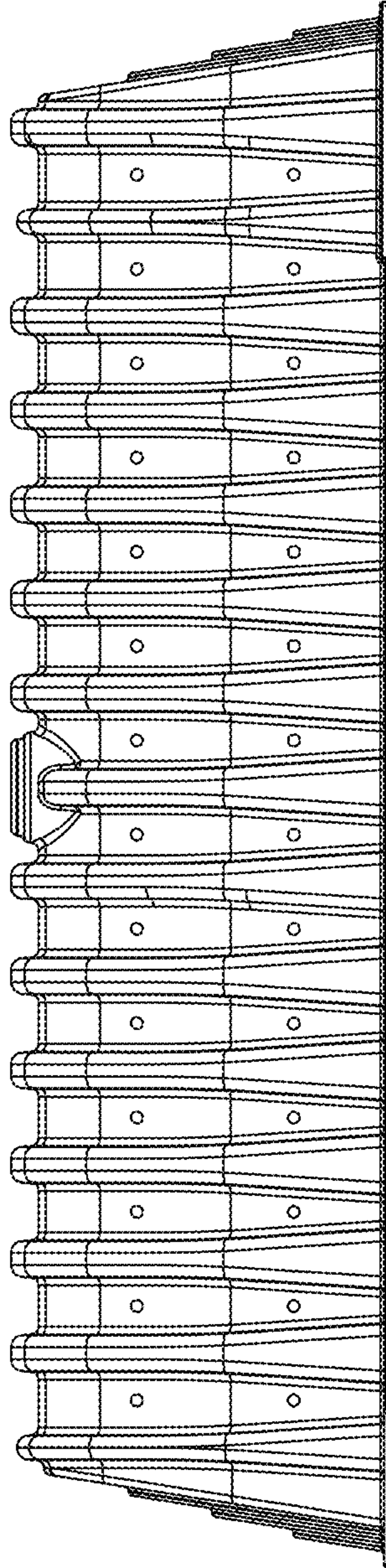


FIG. 6

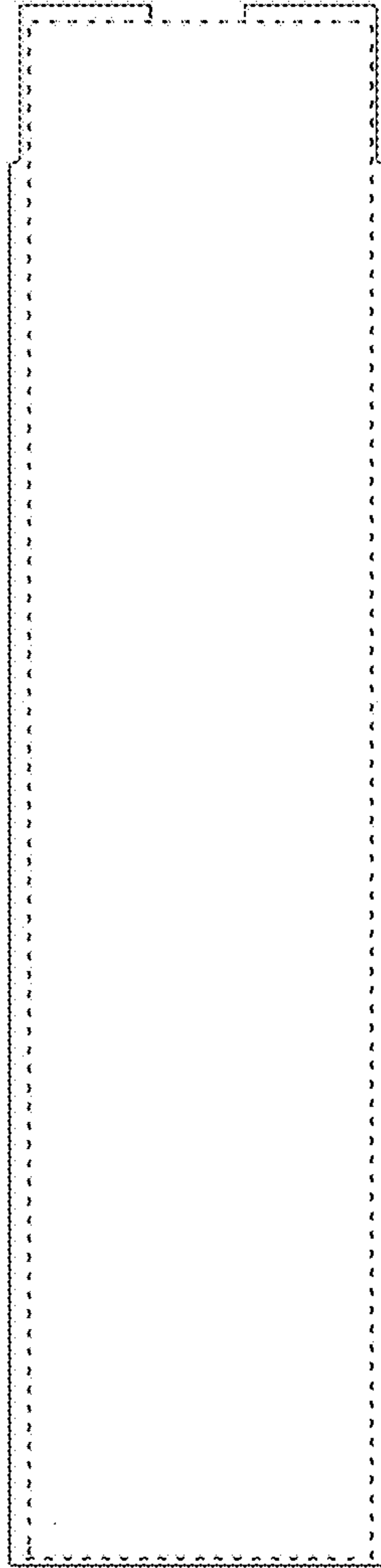


FIG. 7