



US00D792551S

(12) **United States Design Patent**
Zalar

(10) **Patent No.:** **US D792,551 S**

(45) **Date of Patent:** **** Jul. 18, 2017**

(54) **SHOOTING TARGET**

(71) Applicant: **Robert Zalar**, Charmichaels, PA (US)

(72) Inventor: **Robert Zalar**, Charmichaels, PA (US)

(**) Term: **15 Years**

(21) Appl. No.: **29/553,697**

(22) Filed: **Feb. 3, 2016**

(51) **LOC (10) Cl.** **22-04**

(52) **U.S. Cl.**
USPC **D22/113**

(58) **Field of Classification Search**
USPC D22/113, 119; 463/52-56; 273/331,
273/348, 407, 127 R, 190; D20/41
CPC . F41J 9/00; F41J 9/02; F41J 9/04; F41J 9/06;
F41J 9/08; F41J 9/10; F41J 9/14; F41J
9/16; F41J 5/18; F41J 5/20; F41J 5/205;
F41J 5/22; F41J 1/00; F41J 1/01; F41J
1/08; F41J 1/10

See application file for complete search history.

(56) **References Cited**

U.S. PATENT DOCUMENTS

157,335 A	12/1874	Lyon
687,873 A	12/1901	Daniels
1,310,415 A	7/1919	Isberb
1,348,442 A	8/1920	Prebble
1,629,386 A	5/1927	Hummerson
1,733,606 A	10/1929	Junker
2,113,719 A	4/1938	Creswell
2,777,695 A	1/1957	Cohn
3,554,550 A	1/1971	Schram
4,116,443 A	9/1978	Dorfman
6,398,215 B1	6/2002	Witmeyer
6,779,797 B1	8/2004	Chou
6,994,348 B2	2/2006	Lambert
6,994,349 B2	2/2006	Lambert
7,052,012 B2	5/2006	Dahart
7,303,192 B2	12/2007	Marshall et al.
7,690,656 B2	4/2010	Saunders
7,815,192 B1	10/2010	Kreiman et al.

8,807,570 B1	8/2014	Zalar	
D746,938 S *	1/2016	Thomson D22/113
2006/0125185 A1	6/2006	Rolfe	
2013/0207347 A1	8/2013	Sovine	

OTHER PUBLICATIONS

YouTube—Robert Zalar, Sophia Target Shooting, Published on Nov. 4, 2015, [site visited on Jan. 17, 2017], Available on the Internet
URL: <<https://www.youtube.com/watch?v=hBOQ2KMtsFU>>.*

* cited by examiner

Primary Examiner — Susan Bennett Hattan
Assistant Examiner — S. Bryan Reinholdt, Jr.
(74) *Attorney, Agent, or Firm* — Quickpatents, LLC;
Kevin Prince

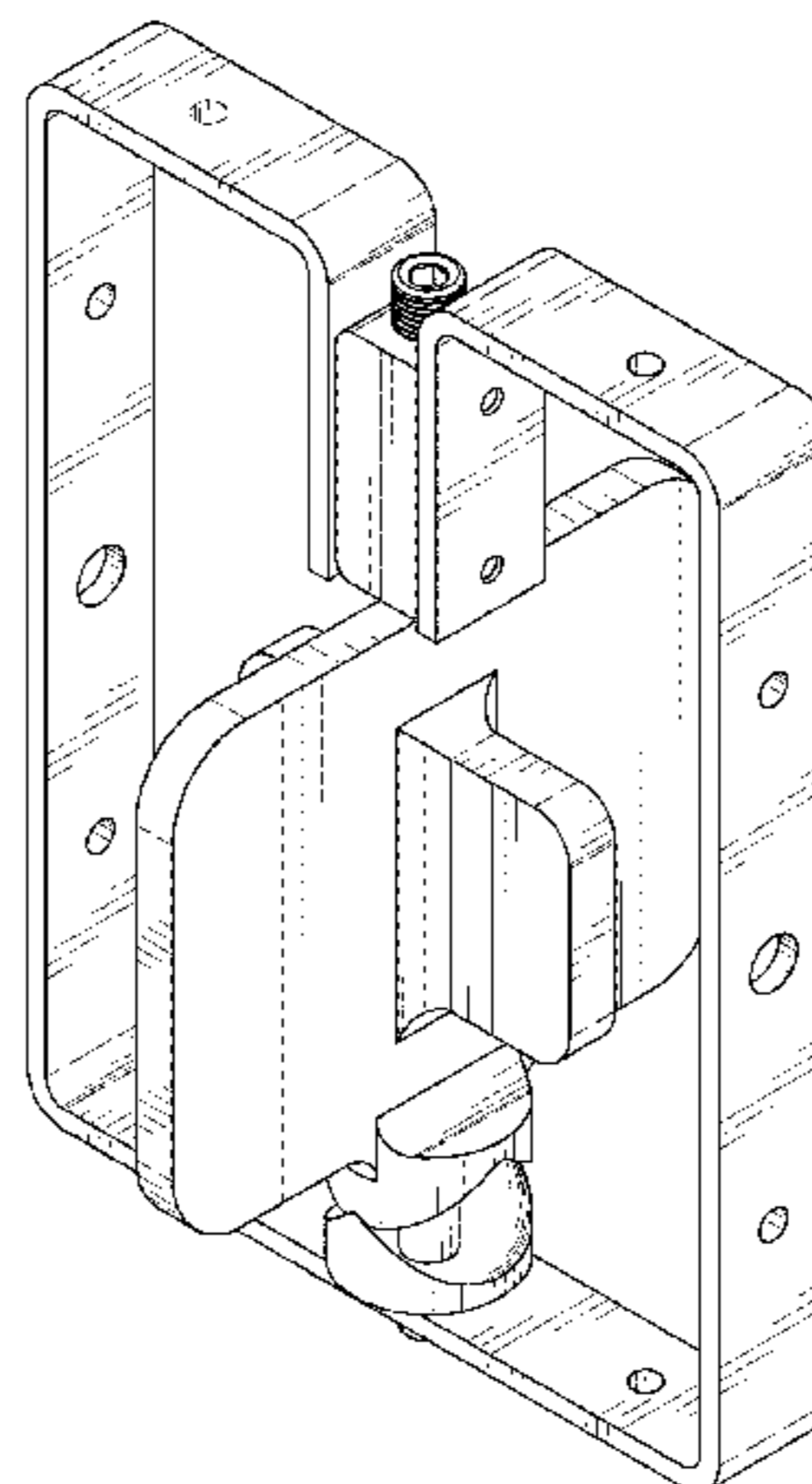
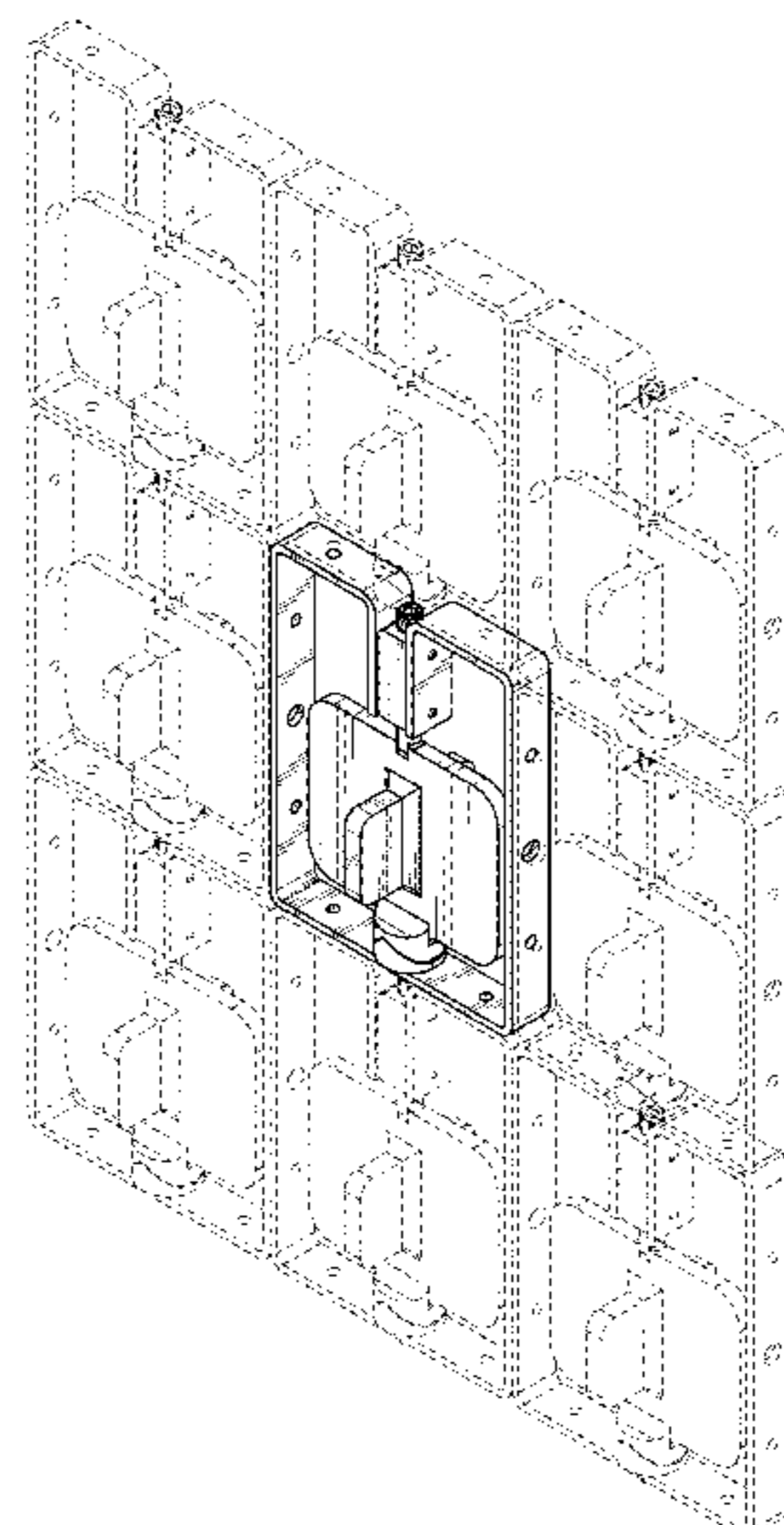
(57) **CLAIM**

I claim the ornamental design for a shooting target, as shown and described.

DESCRIPTION

FIG. 1 is a perspective view of a shooting target, showing my new design in a tripped position;
FIG. 2 is an enlarged perspective view thereof;
FIG. 3 is a front elevational view of FIG. 2, the rear elevational view being a mirror image thereof;
FIG. 4 is a right-side elevational view of FIG. 2, the left-side elevational view being a mirror image thereof;
FIG. 5 is a top plan view of FIG. 2;
FIG. 6 is a bottom plan view of FIG. 2;
FIG. 7 is a perspective view thereof, showing the shooting target in a set position; and,
FIG. 8 is a front elevational view of FIG. 7, the rear elevational view being a mirror image thereof.
The broken lines showing additional shooting targets in FIG. 1 depict environmental matter and form no part of the claimed design.

1 Claim, 6 Drawing Sheets



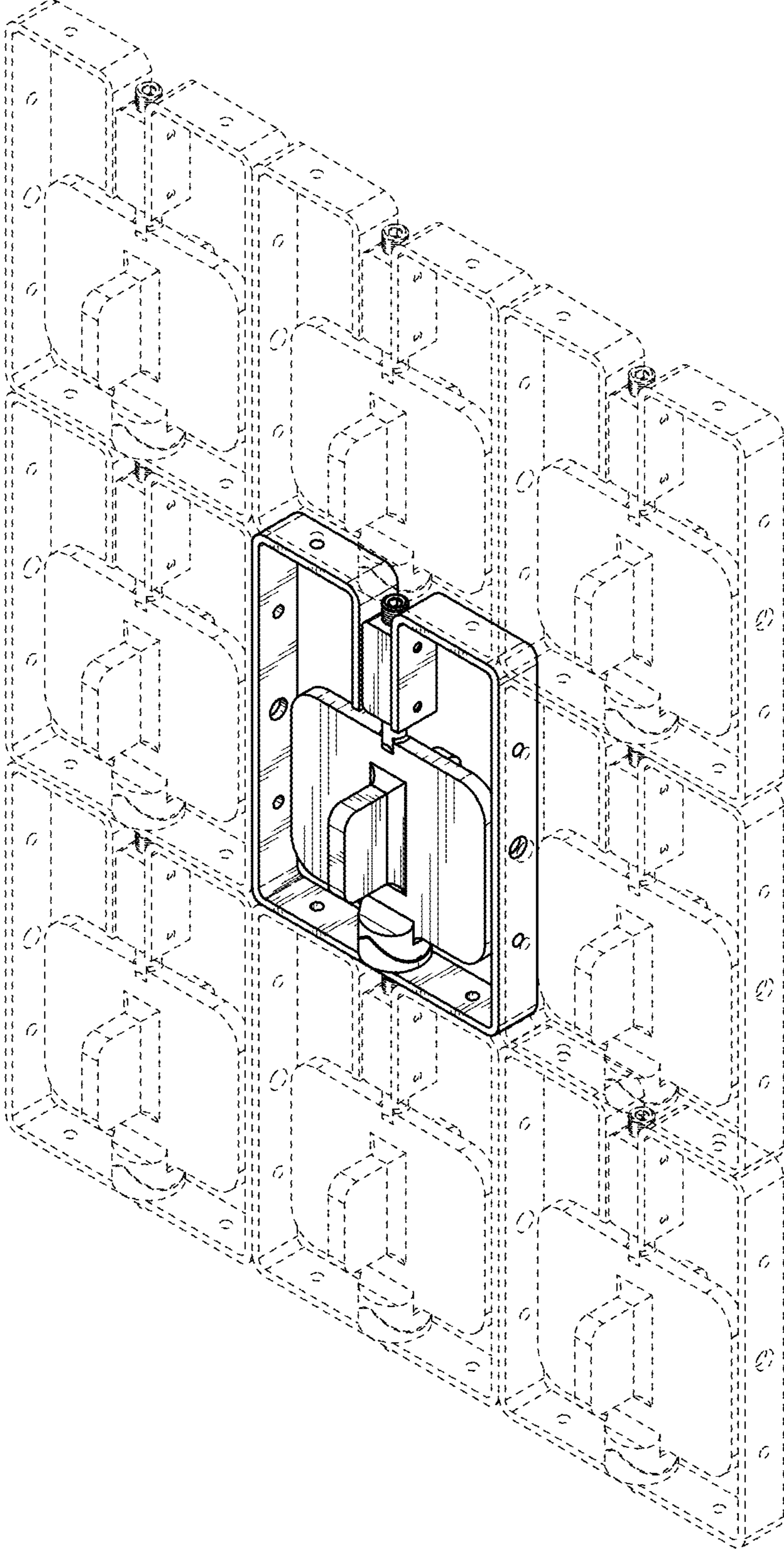


FIG. 1

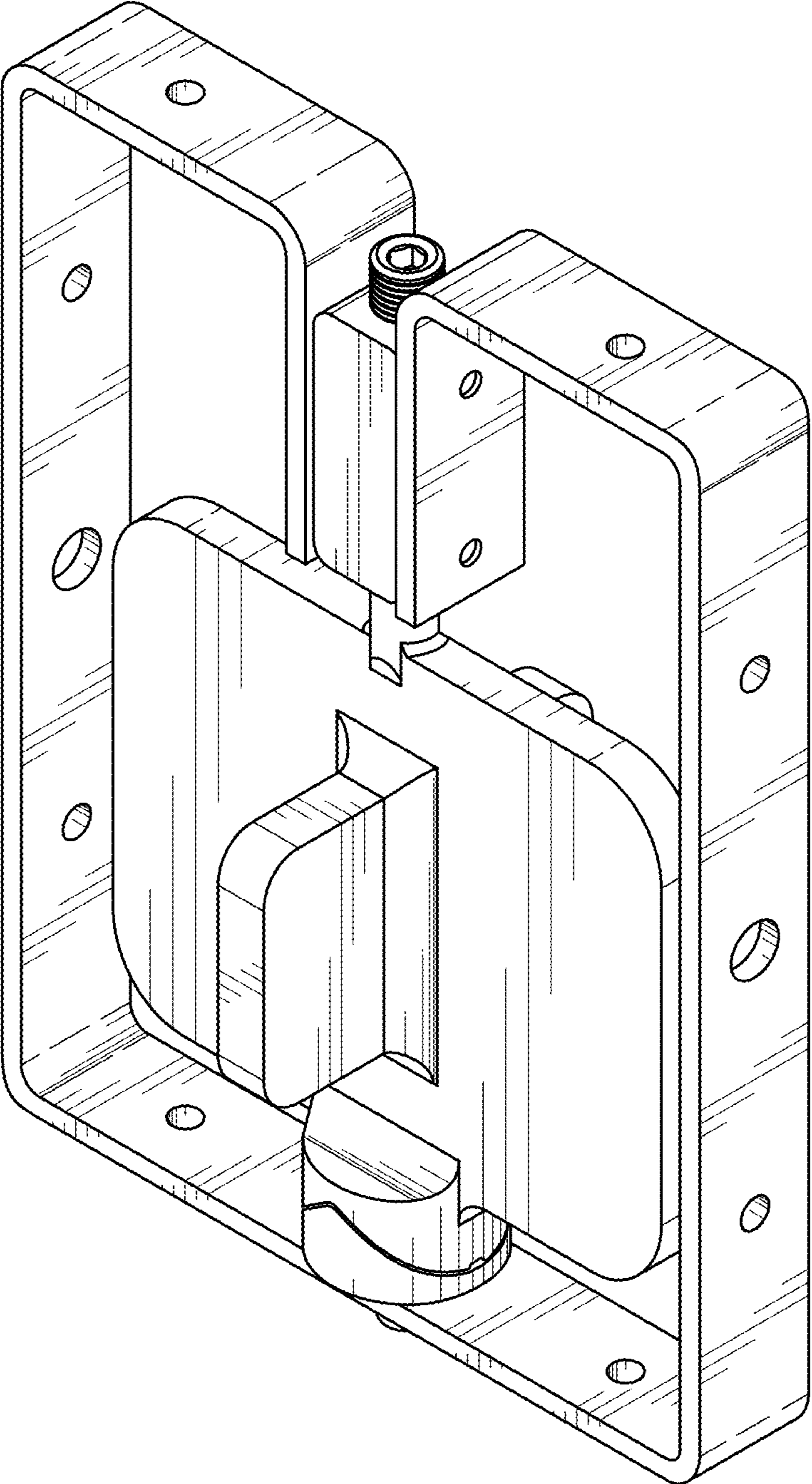


FIG. 2

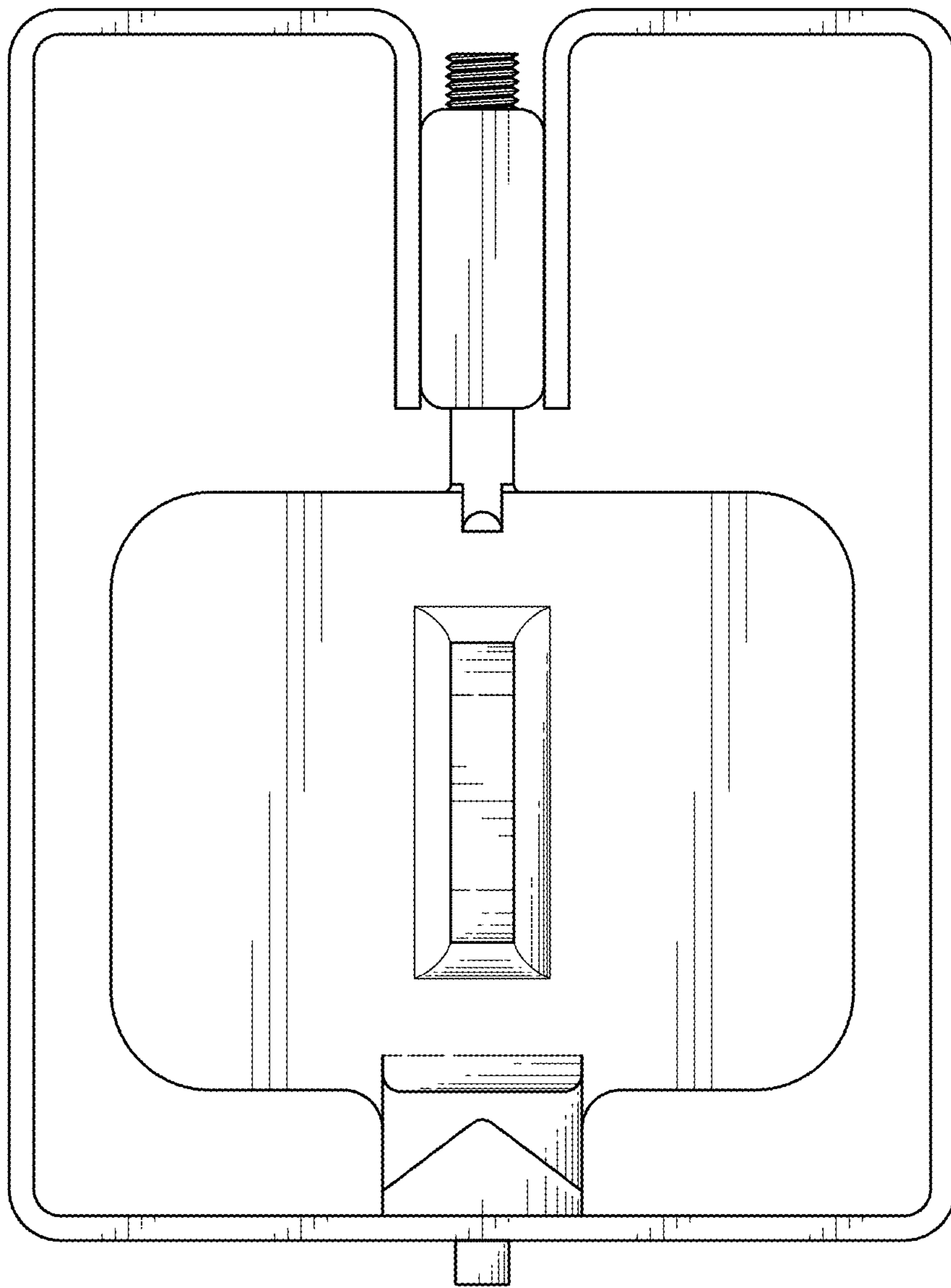


FIG. 3

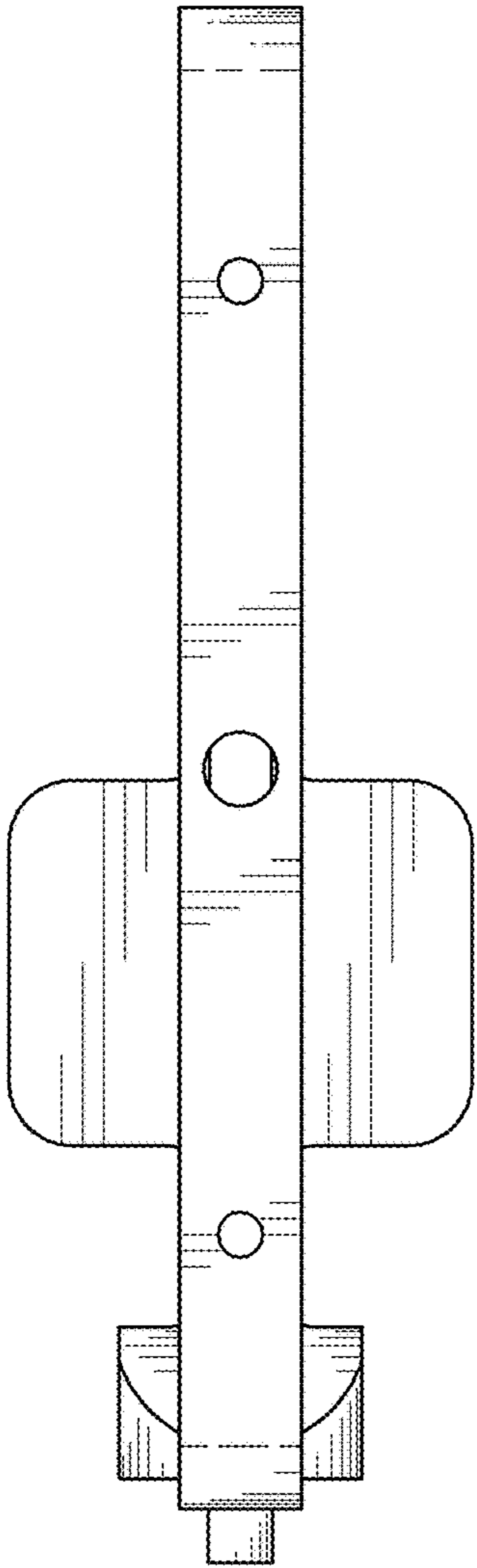


FIG. 4

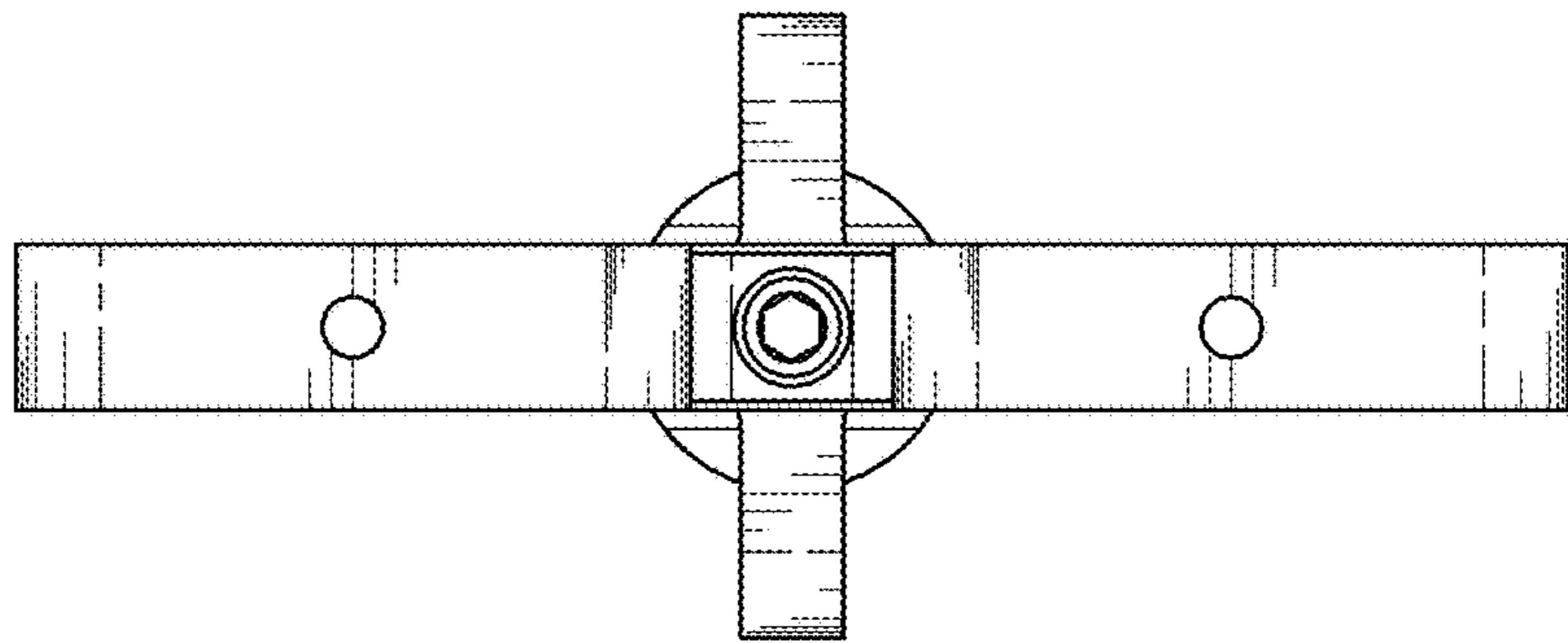


FIG. 5

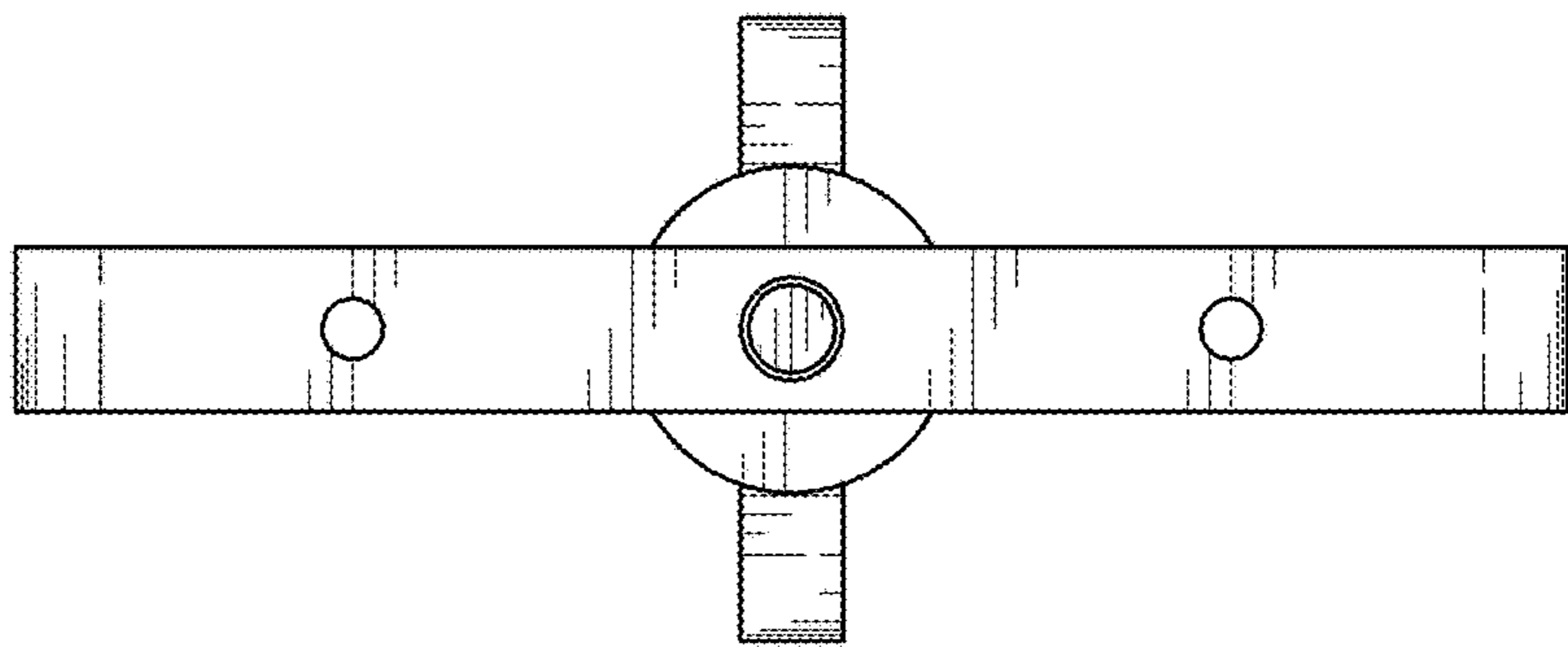


FIG. 6

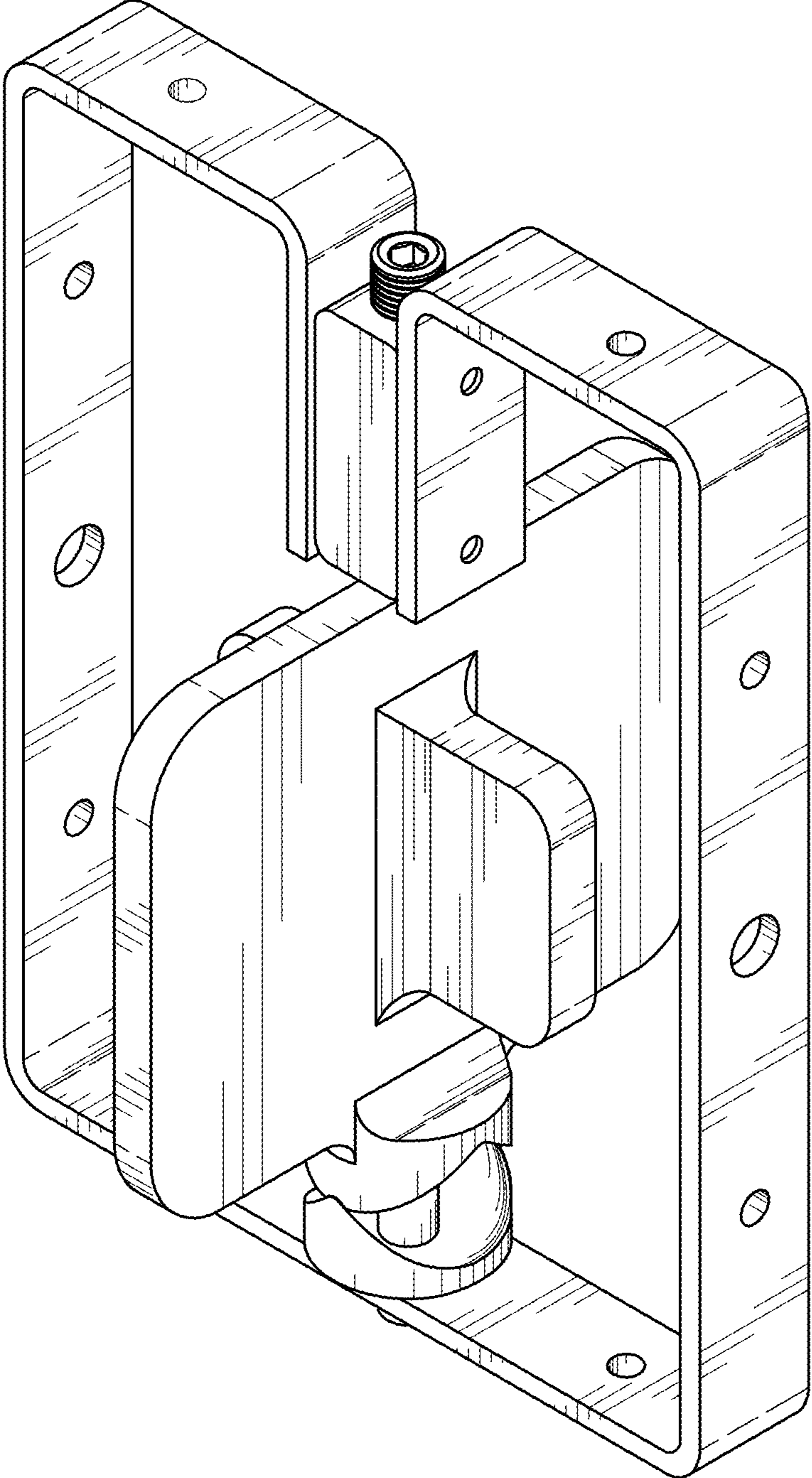


FIG. 7

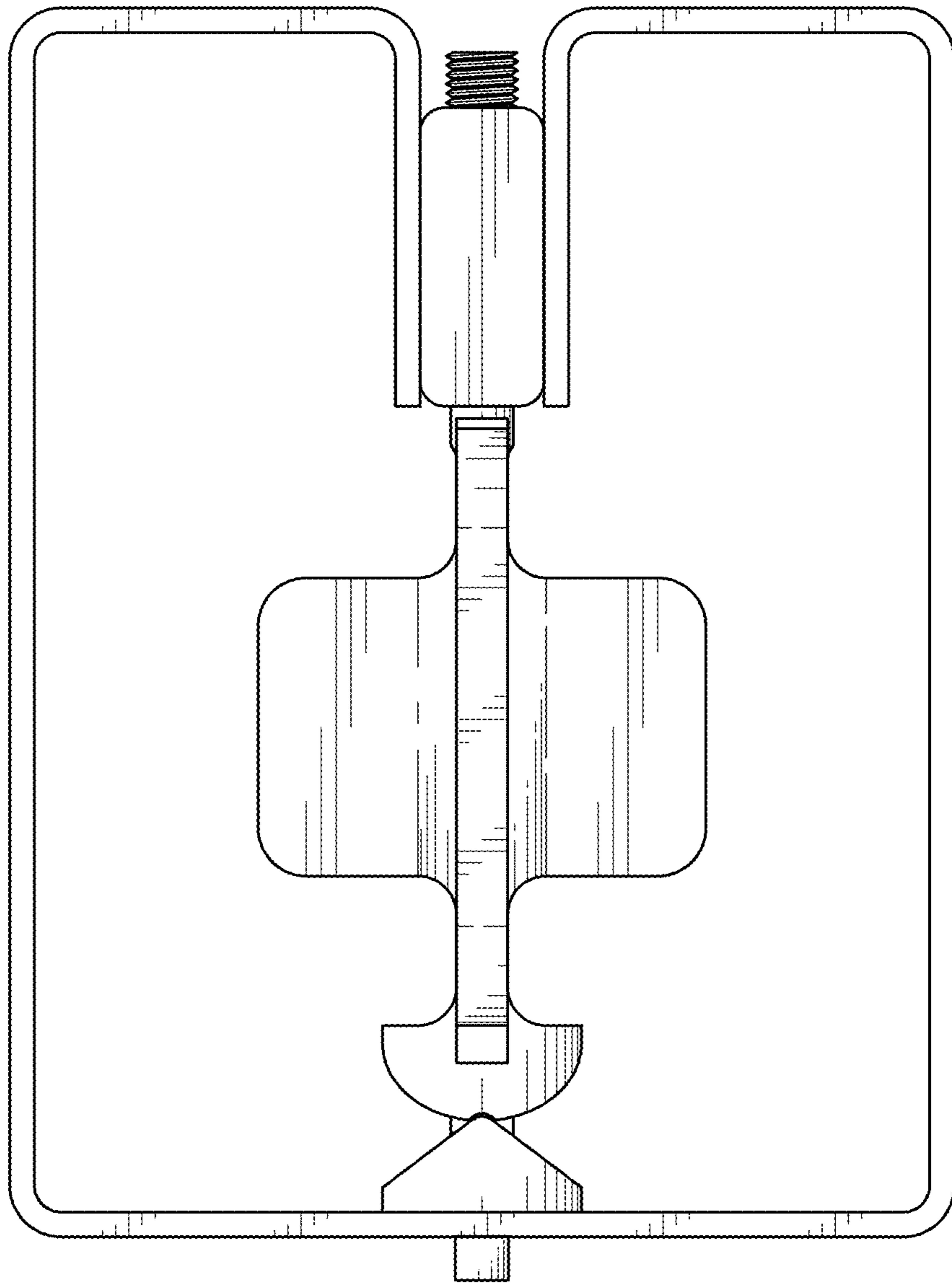


FIG. 8