



US00D792550S

(12) **United States Design Patent** (10) **Patent No.:** **US D792,550 S**
Smith (45) **Date of Patent:** **** Jul. 18, 2017**

(54) **BUTTPAD**
(71) Applicant: **VISTA OUTDOOR OPERATIONS LLC**, Clearfield, UT (US)
(72) Inventor: **Paul N. Smith**, Bozeman, MT (US)
(73) Assignee: **Vista Outdoor Operations LLC**, Farmington, UT (US)
(**) Term: **15 Years**
(21) Appl. No.: **29/555,144**
(22) Filed: **Feb. 18, 2016**
(51) **LOC (10) Cl.** **22-01**
(52) **U.S. Cl.**
USPC **D22/111**
(58) **Field of Classification Search**
USPC D6/333, 349, 355, 375, 388, 512, 563, D6/564, 595, 596, 601, 604, 611, 707, D6/715, 716, 716.1; D24/183-185, 234; D21/803, 804, 805, 809; 5/401, 420, 5/600, 630, 631, 632, 633, 635, 636, 638, 5/639, 646, 652, 652.1, 655, 703, 730; 297/1, 2, 4, 93, 180.11, 195.1, 195.11, 297/195.13, 393, 397, 452.12, 452.14, 297/452.15, 452.21, 452.24, 452.26, 297/452.48, 452.62, 482; D22/103, 108, D22/109, 110, 111
CPC A47G 9/10; A47G 9/1009; A47G 9/1018; A47G 9/1027; A47G 9/1036; A47G 9/1045; A47G 9/1063; A47G 9/1072; A47G 9/1081; A47G 9/109; A47C 7/021; A47C 27/00
See application file for complete search history.

D162,217 S * 2/1951 Pachmayr D22/111
D183,311 S * 8/1958 Herter D22/111
D191,449 S * 10/1961 Pachmayr D22/111
D192,922 S * 5/1962 Pachmayr D22/111
D192,923 S * 5/1962 Pachmayr D22/111
D192,924 S * 5/1962 Pachmayr D22/111
D194,681 S * 2/1963 Pachmayr D22/111
D194,682 S * 2/1963 Pachmayr D22/111
D274,541 S * 7/1984 McCone D22/111
D275,510 S * 9/1984 McCone 42/74
D376,188 S * 12/1996 Riecken D22/108
D471,727 S * 3/2003 King D6/333
D636,833 S * 4/2011 Mayberry D22/108
D697,162 S * 1/2014 Faifer D22/108
D697,163 S * 1/2014 Bietsch D22/108

(Continued)

Primary Examiner — Eric Goodman
Assistant Examiner — Sanjeev Paul
(74) *Attorney, Agent, or Firm* — Christensen, Fonder, Dardi & Herbert PLLC

(57) **CLAIM**

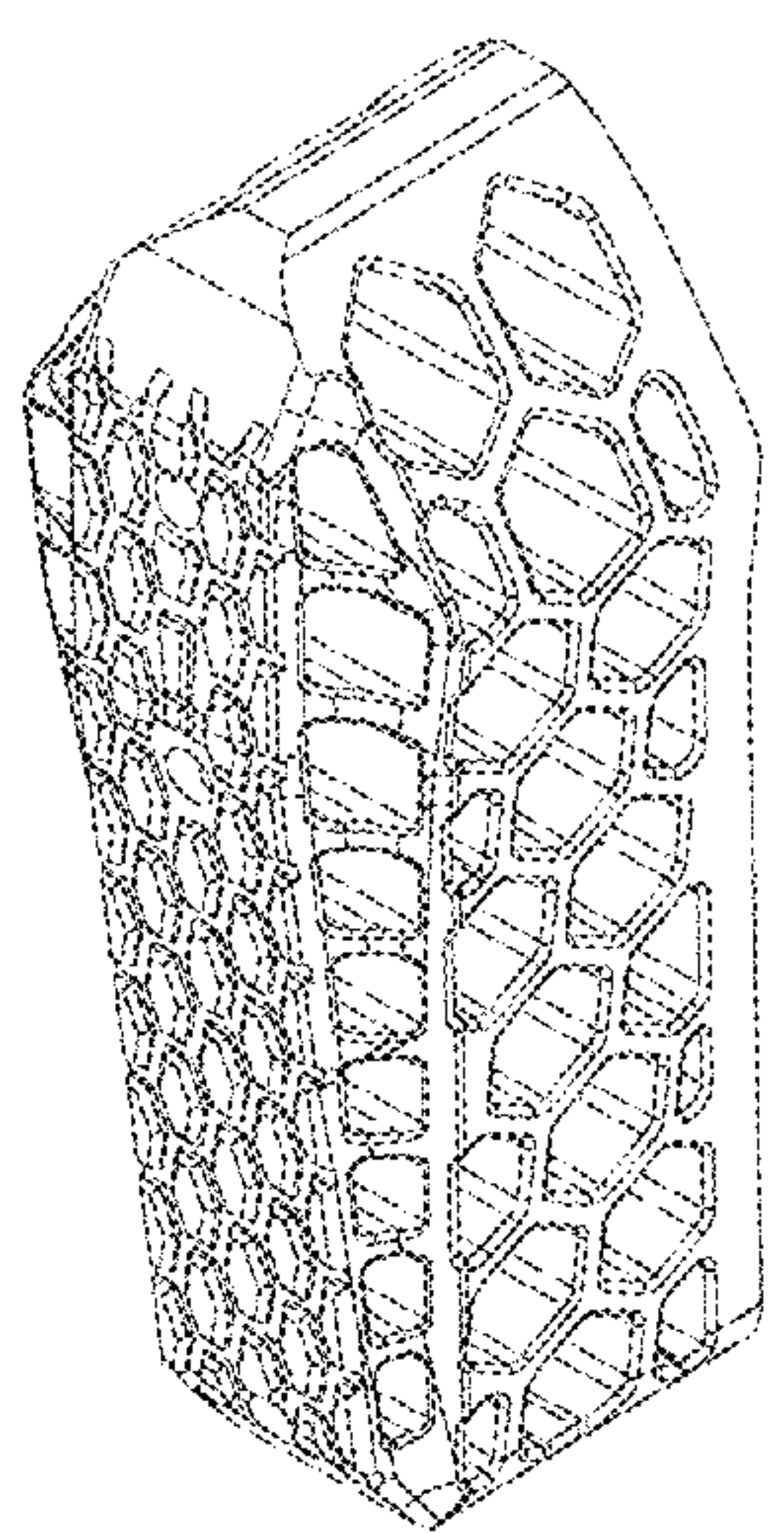
I claim the ornamental design for buttpad, as shown and described.

DESCRIPTION

FIG. 1 is a perspective view of a buttpad according to the invention.
FIG. 2 is a left side view of a buttpad according to the invention.
FIG. 3 is a right side view of a buttpad according to the invention.
FIG. 4 is a front view of a buttpad according to the invention.
FIG. 5 is a rear view of a buttpad according to the invention.
FIG. 6 is a top view of a buttpad according to the invention; and,
FIG. 7 is a bottom view of a buttpad according to the invention.

1 Claim, 7 Drawing Sheets

(56) **References Cited**
U.S. PATENT DOCUMENTS
D158,745 S * 5/1950 Harbeke D22/111
D162,216 S * 2/1951 Pachmayr D22/111



(56)

References Cited

U.S. PATENT DOCUMENTS

D727,456 S	*	4/2015	Schefter	D22/108
D774,156 S	*	12/2016	Esch	D22/108
D779,018 S	*	2/2017	Zayatz	D22/108
D779,621 S	*	2/2017	Salvador	D22/108

* cited by examiner

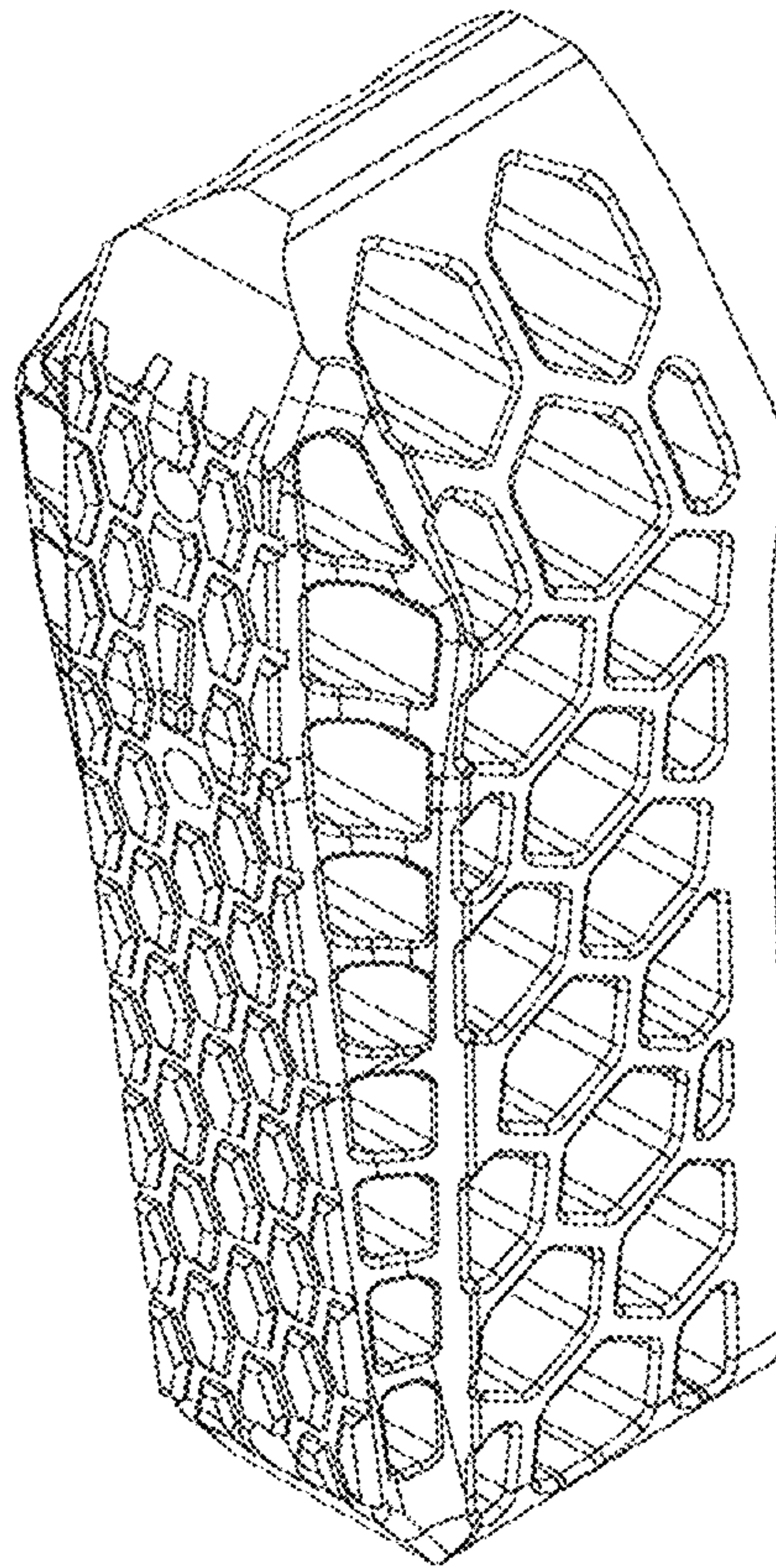


Fig. 1

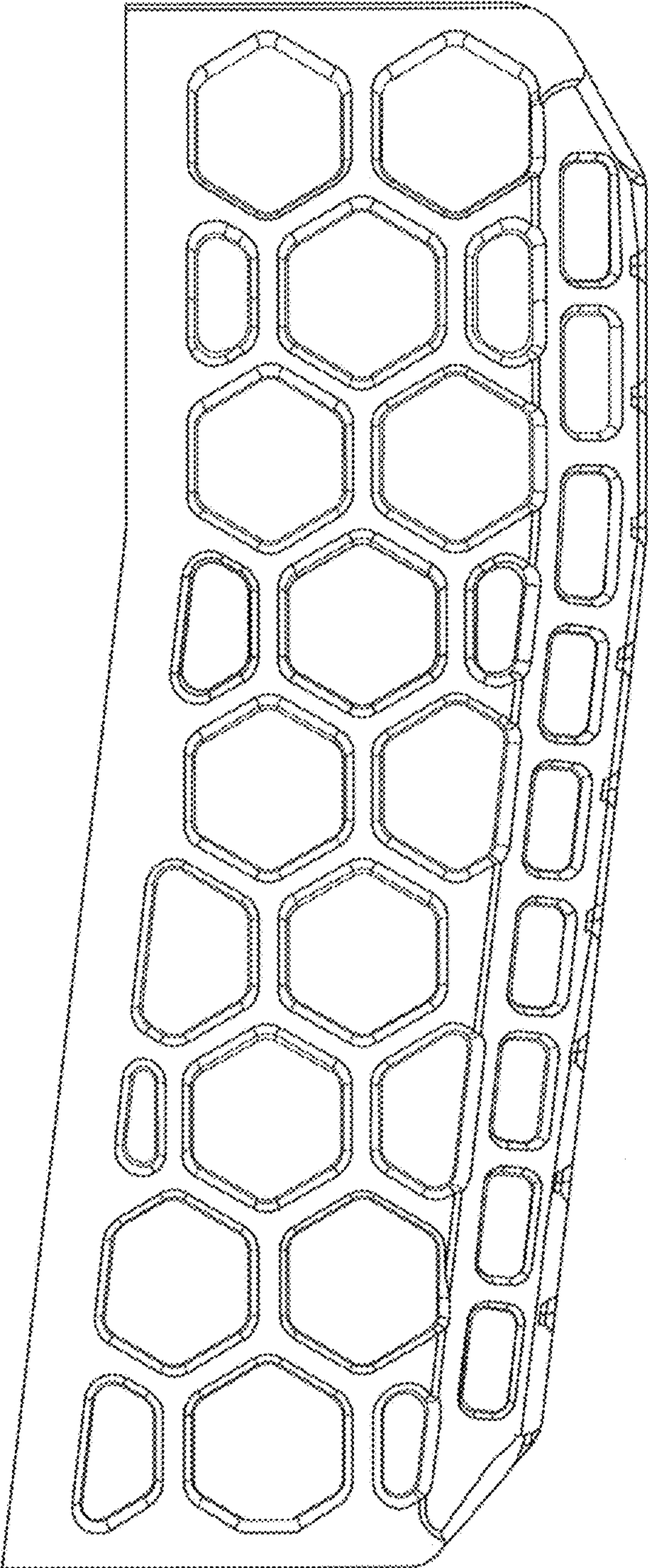


Fig. 2

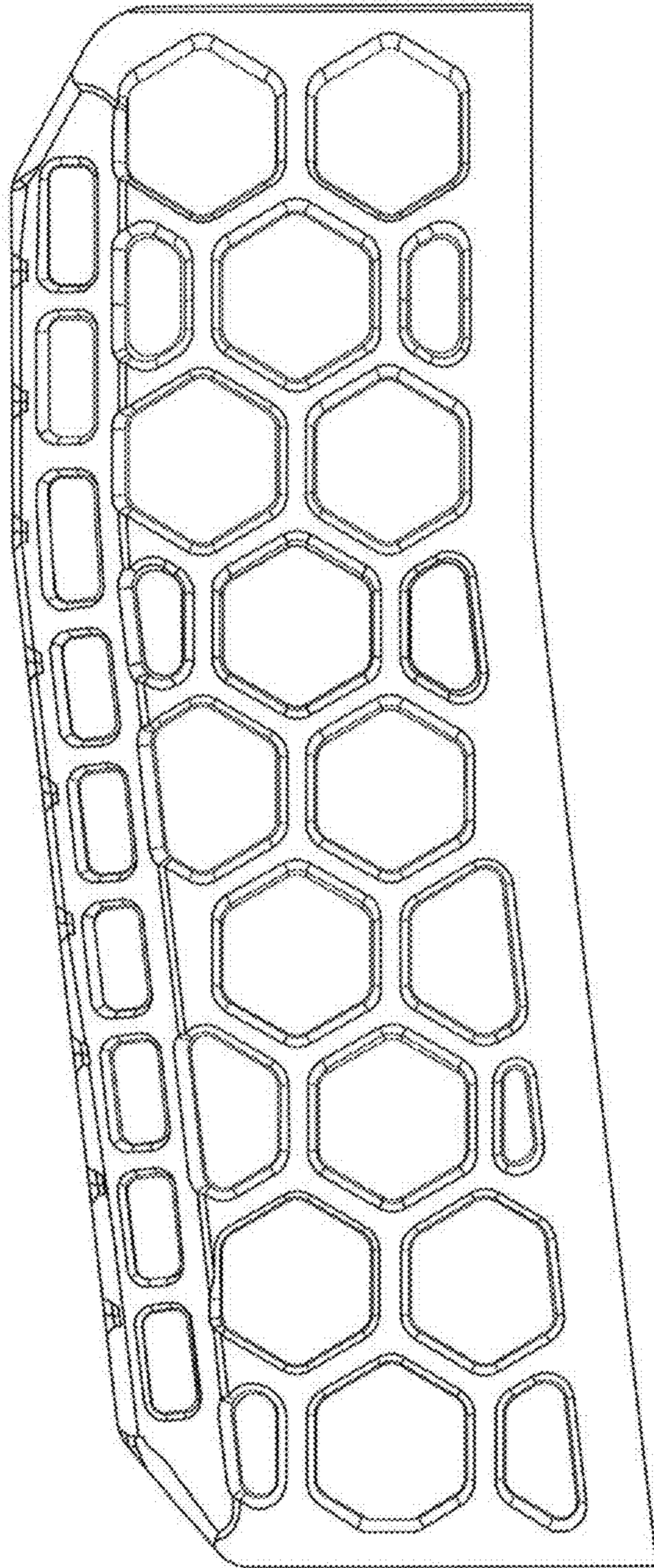


Fig. 3

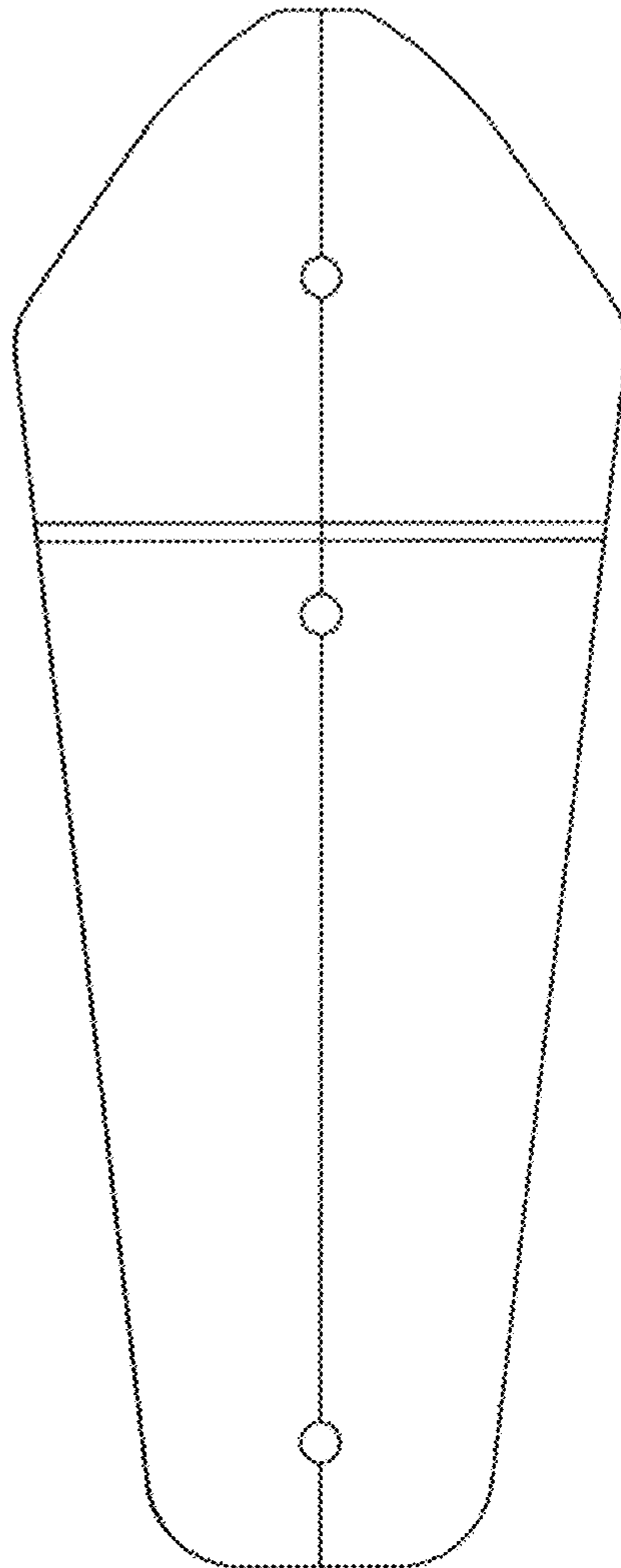


Fig. 4

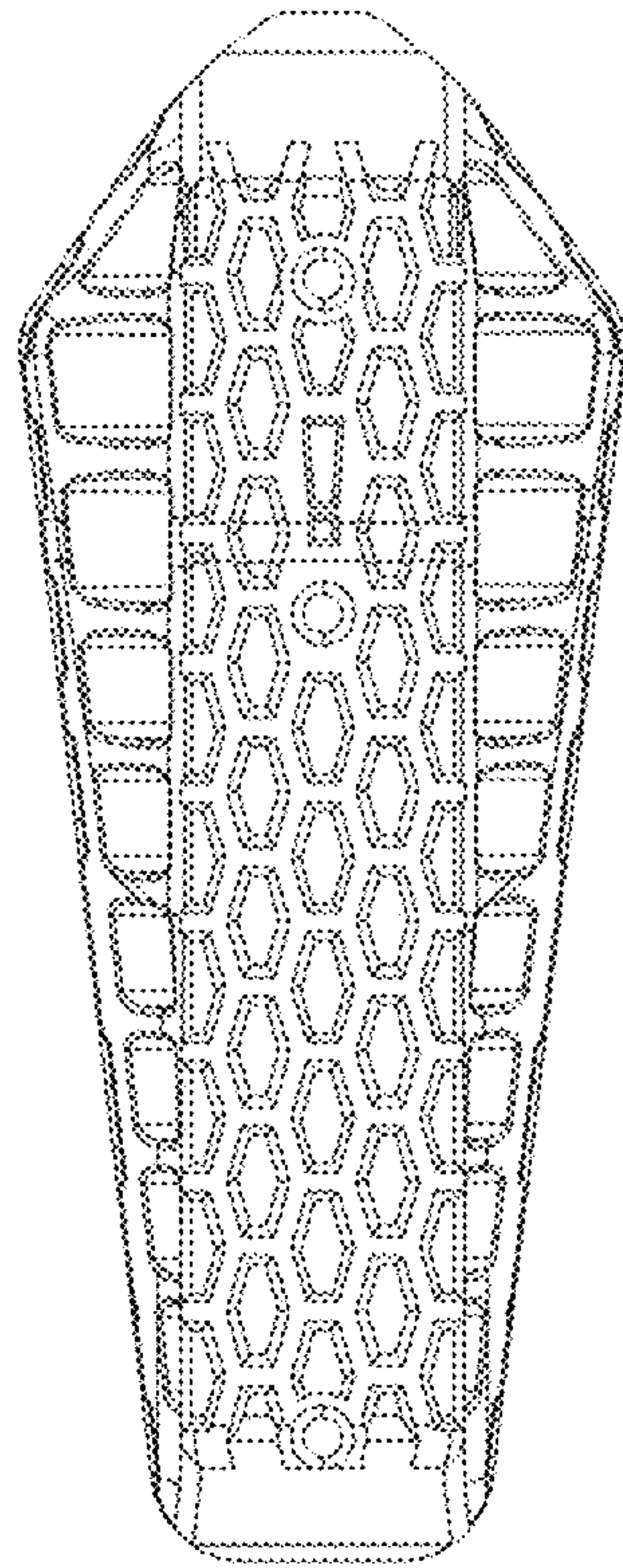


Fig. 5

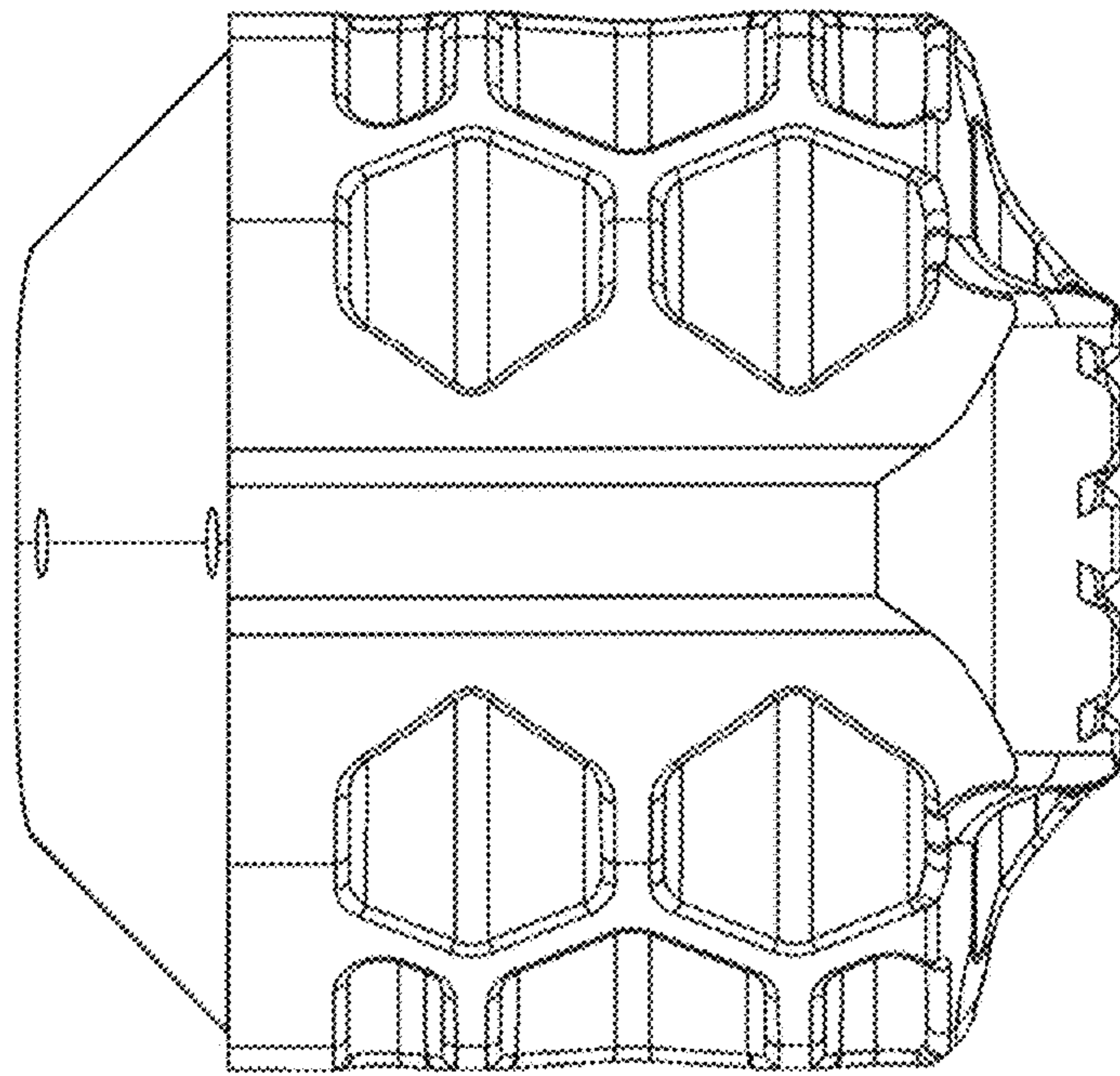


Fig. 6

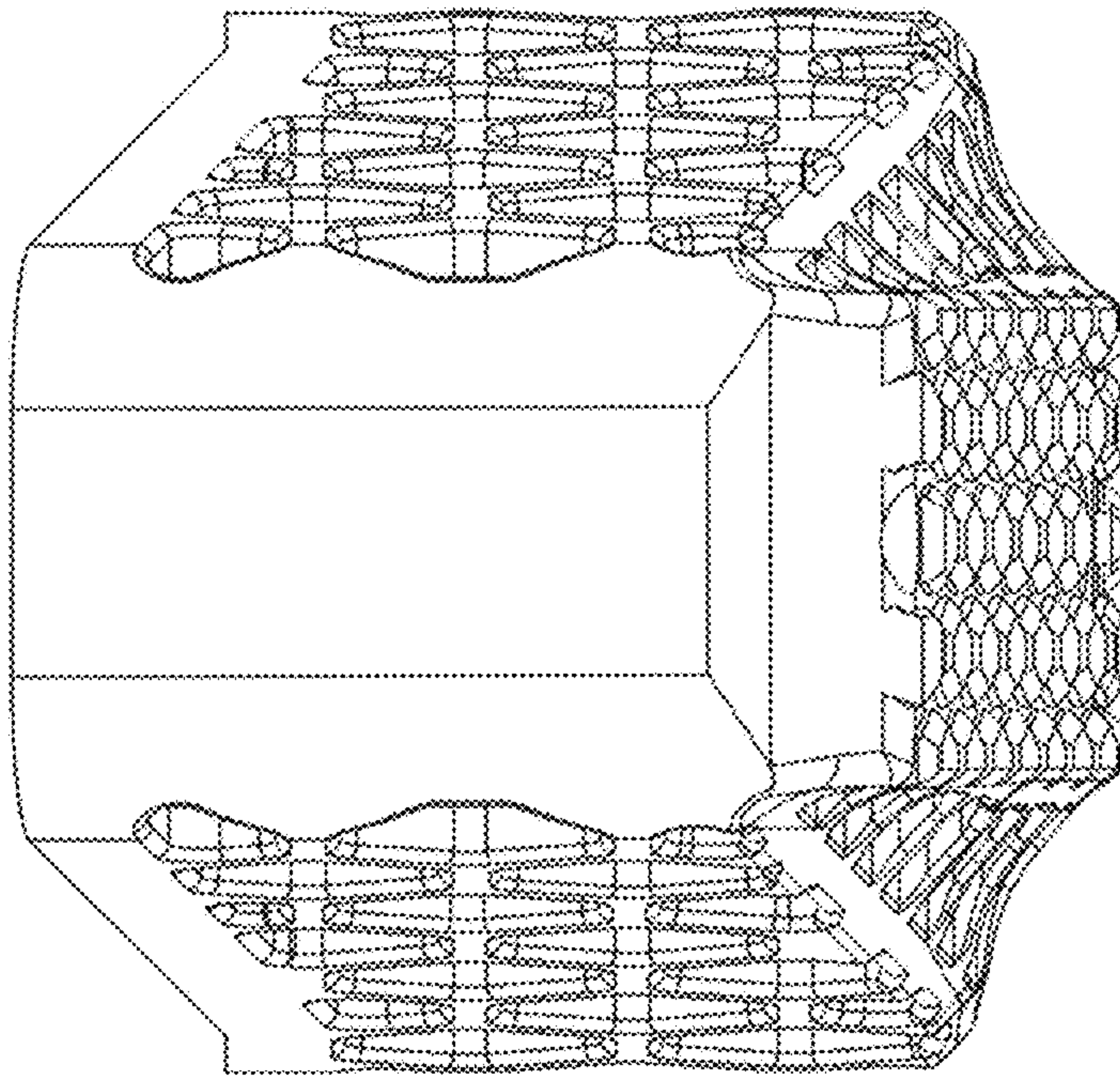


Fig. 7