



US00D792549S

(12) **United States Design Patent**
McKillips

(10) **Patent No.:** **US D792,549 S**

(45) **Date of Patent:** **** Jul. 18, 2017**

(54) **CROSS BOLT FOR FIREARM**

(71) Applicant: **WHG Properties, LLC**, North Wales, PA (US)

(72) Inventor: **Neal McKillips**, Drexel Hill, PA (US)

(73) Assignee: **WHG PROPERTIES, LLC**, North Wales, PA (US)

(**) Term: **15 Years**

(21) Appl. No.: **29/554,731**

(22) Filed: **Feb. 15, 2016**

(51) **LOC (10) Cl.** **22-01**

(52) **U.S. Cl.**
USPC **D22/108; D8/387; D8/393**

(58) **Field of Classification Search**
USPC **D22/100, 101, 103, 105, 108, 109, 110, D22/107; D21/572-575; D14/418;**
(Continued)

(56) **References Cited**

U.S. PATENT DOCUMENTS

D31,749 S * 10/1899 Bolens 411/411
D33,313 S * 10/1900 North D6/708.17
(Continued)

OTHER PUBLICATIONS

TPS Cross Bolt 1 4-28 Picatinny-Style Super Low Pack of 2, no date available, [online], [site visited Dec. 27, 2016]. Retrieved from <url:http://www.midwayusa.com/product/342227/tps-cross-bolt-1-4-28-picatinny-style-super-low-pack-of-2>.*

(Continued)

Primary Examiner — Jeffrey D Asch

Assistant Examiner — Tracey J Bell

(74) *Attorney, Agent, or Firm* — Merchant & Gould P.C.

(57) **CLAIM**

The ornamental design for a cross bolt for firearm, as shown and described.

DESCRIPTION

FIG. 1 is an isometric view of a first embodiment of a cross bolt for firearm in accordance with the present disclosure; FIG. 2 is a left side elevation view of the cross bolt for firearm of FIG. 1;

FIG. 3 is a right side elevation view of the cross bolt for firearm of FIG. 1;

FIG. 4 is a front elevation view of the cross bolt for firearm of FIG. 1;

FIG. 5 is a rear elevation view of the cross bolt for firearm of FIG. 1;

FIG. 6 is a top view of the cross bolt for firearm of FIG. 1;

FIG. 7 is a bottom view of the cross bolt for firearm of FIG. 1;

FIG. 8 is an isometric view of a second embodiment of a cross bolt for firearm in accordance with the present disclosure;

FIG. 9 is another isometric view of the cross bolt for firearm of FIG. 8;

FIG. 10 is another isometric view of the cross bolt for firearm of FIG. 8;

FIG. 11 is another isometric view of the cross bolt for firearm of FIG. 8;

FIG. 12 is a left side elevation view of the cross bolt for firearm of FIG. 8;

FIG. 13 is a right side elevation view of the cross bolt for firearm of FIG. 8;

FIG. 14 is a front elevation view of the cross bolt for firearm of FIG. 8;

FIG. 15 is a rear elevation view of the cross bolt for firearm of FIG. 8;

FIG. 16 is a top view of the cross bolt for firearm of FIG. 8;

FIG. 17 is a bottom view of the cross bolt for firearm of FIG. 8;

FIG. 18 is an isometric view of a third embodiment of a cross bolt for firearm in accordance with the present disclosure;

FIG. 19 is another isometric view of the cross bolt for firearm of FIG. 18;

FIG. 20 is another isometric view of the cross bolt for firearm of FIG. 18;

FIG. 21 is another isometric view of the cross bolt for firearm of FIG. 18;

(Continued)

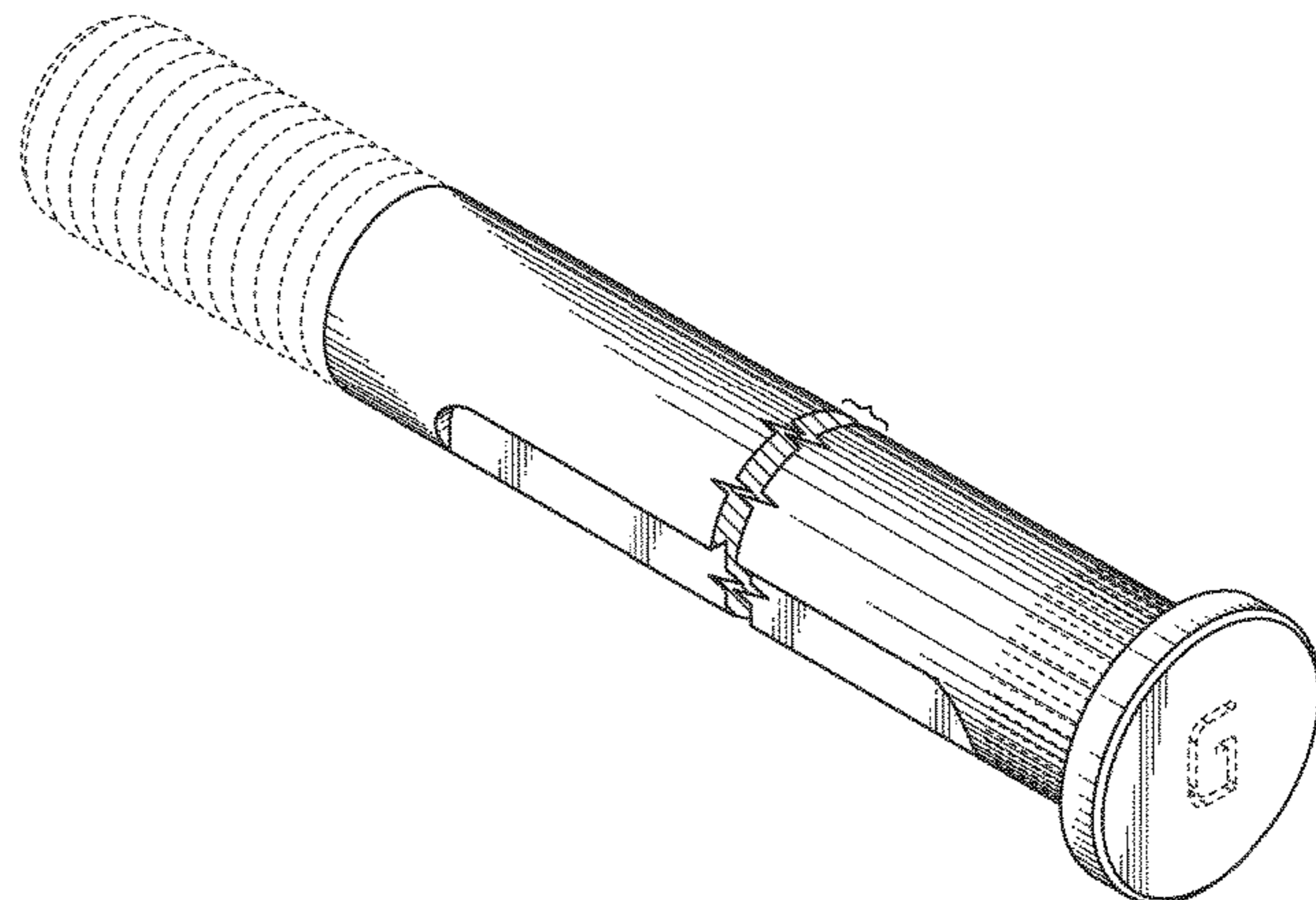
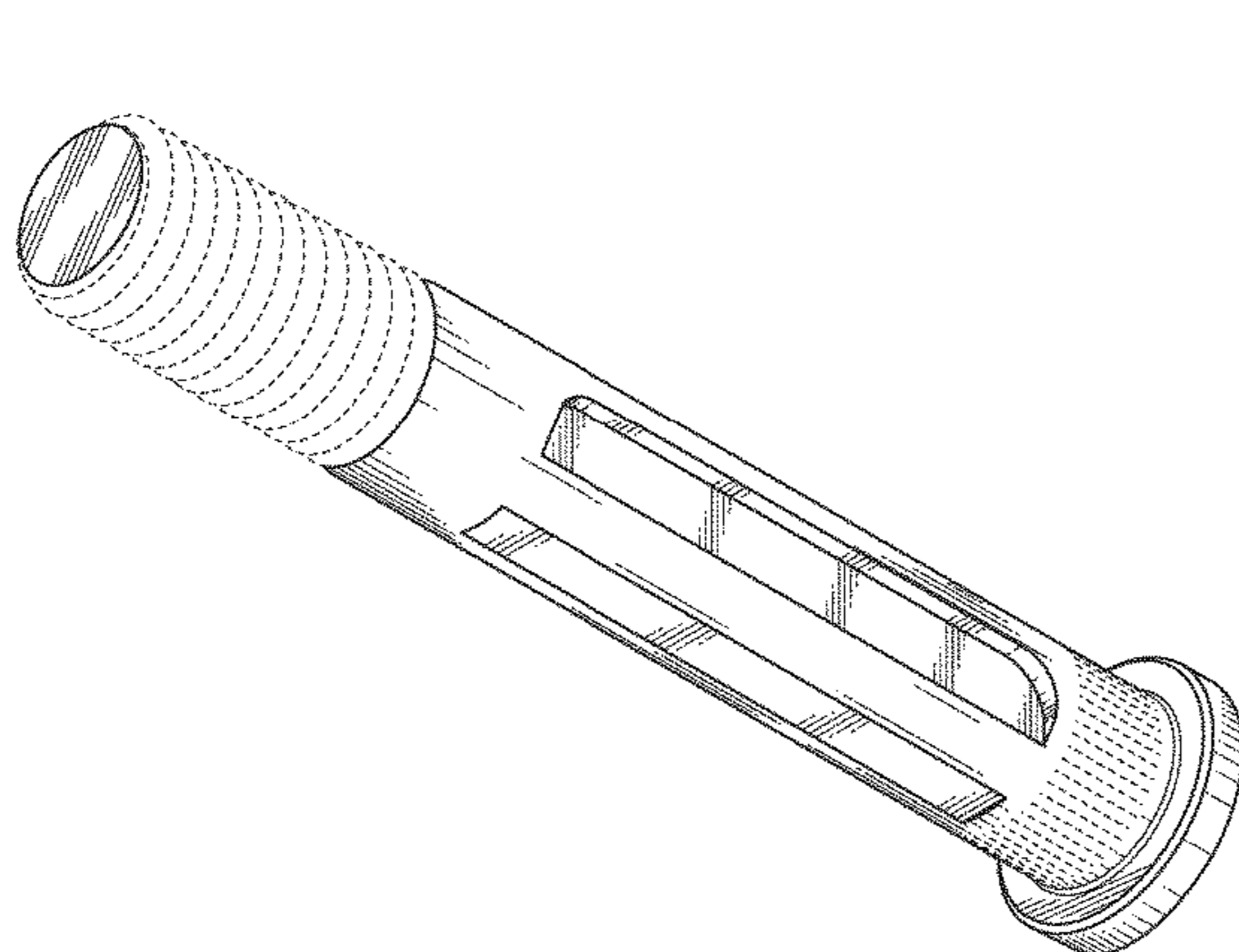


FIG. 22 is a left side elevation view of the cross bolt for firearm of FIG. 18;
 FIG. 23 is a right side elevation view of the cross bolt for firearm of FIG. 18;
 FIG. 24 is a front elevation view of the cross bolt for firearm of FIG. 18;
 FIG. 25 is a rear elevation view of the cross bolt for firearm of FIG. 18;
 FIG. 26 is a top view of the cross bolt for firearm of FIG. 18;
 FIG. 27 is a bottom view of the cross bolt for firearm of FIG. 18; and,
 FIG. 28 is an isometric view of a cross bolt for firearm in accordance with the present disclosure.
 The broken lines showing portions of the cross bolt for firearm in FIGS. 1-27, and of the firearm in FIG. 28, form no part of the claimed design. The broken away symbols shown in the Figures indicate the appearance of any portion of the article between the break lines forms no part of the claimed design.

1 Claim, 12 Drawing Sheets

(58) **Field of Classification Search**

USPC 42/124, 125, 126, 127, 128, 10, 83, 85, 42/86, 87, 90, 113, 117, 141, 75.01, 42/75.02, 75.03, 75.05, 50, 51, 71.01, 94; 16/404, 414, 417; D8/300, 399, 387, D8/393; 292/2; 362/110
 CPC F41G 11/001; F41G 11/003; F41G 11/004; F41G 11/005; F41G 11/006; F41G 1/00; F41G 1/065; F41G 1/08; F41G 1/17; F41G 1/42; F41G 1/32; F41G 1/35; F41G 1/38; F41G 1/02; F41G 1/12; F41G 1/16; F41G 1/345; F41G 1/425; F41A 21/482; F41A 21/488; F41A 21/00; F41A 3/66; F41A 3/72; F41A 9/61; F41A 9/62; F41A 9/65; F41A 9/70; F41A 9/83; F41A 17/38; F41C 23/04; F41C 23/10; F41C 23/14; F41C 23/16; F41C 23/20; F41C 7/00; F41C 27/00

See application file for complete search history.

(56) **References Cited**

U.S. PATENT DOCUMENTS

966,780 A * 8/1910 Thomas E05B 65/0864
 292/149
 D149,901 S * 6/1948 Olsen 57/23

2,679,913 A * 6/1954 Scott E05B 1/0015
 16/414
 3,047,036 A * 7/1962 Waltermire F16B 4/004
 411/168
 3,236,141 A * 2/1966 Smith F16B 23/0007
 269/48.3
 3,665,129 A * 5/1972 Lancaster H01R 24/58
 200/51.07
 4,180,340 A * 12/1979 Cosby B42F 13/12
 40/401
 4,899,476 A * 2/1990 Hindle F41A 17/38
 42/7
 5,604,970 A * 2/1997 Aigner E05B 15/10
 29/525
 D417,139 S * 11/1999 Pitre D8/387
 D426,146 S * 6/2000 Bruns D8/387
 6,204,584 B1 * 3/2001 Muszynski H02K 1/2733
 310/156.08
 D446,757 S * 8/2001 Kronewitter D12/180
 D455,833 S * 4/2002 Daftary D24/155
 D502,130 S * 2/2005 Demoise, Jr. D12/180
 D549,567 S * 8/2007 Hamu D8/397
 D565,181 S * 3/2008 Anitua Aldecoa D24/156
 D585,730 S * 2/2009 Fernandez D8/387
 7,543,405 B1 * 6/2009 Ivey F41G 11/003
 42/125
 D599,650 S * 9/2009 Simms D8/387
 8,051,958 B1 * 11/2011 Rockwell F16D 55/22655
 188/73.45
 8,407,924 B2 * 4/2013 Lee F41G 1/30
 42/111
 8,528,140 B1 * 9/2013 Phillips F41G 11/003
 12/111
 D710,682 S * 8/2014 Rose D8/388
 8,904,691 B1 * 12/2014 Kincel F41C 23/16
 42/71.01
 9,453,707 B2 * 9/2016 Williams F41G 1/387
 2014/0116238 A1 * 5/2014 Hagedorn F41A 27/30
 89/37.03
 2014/0116817 A1 * 5/2014 Morais F16D 55/227
 188/73.45
 2014/0158162 A1 * 6/2014 Brooker F41A 29/02
 134/8
 2015/0135576 A1 * 5/2015 Wells F41C 23/16
 42/90

OTHER PUBLICATIONS

Shot Show 2016 Featured Products From Geissele Automatics, Feb. 18, 2016, [online], [site visited Dec. 16, 2016]. Retrieved from <url:https://www.youtube.com/watch?v=FWITdrnDITw>.*
 Super Precision—T1 Series Optic Mounts, no date available, [online], [site visited Dec. 16, 2016]. Retrieved from <url:https://geissele.com/super-precision-t1-series.html>.*

* cited by examiner

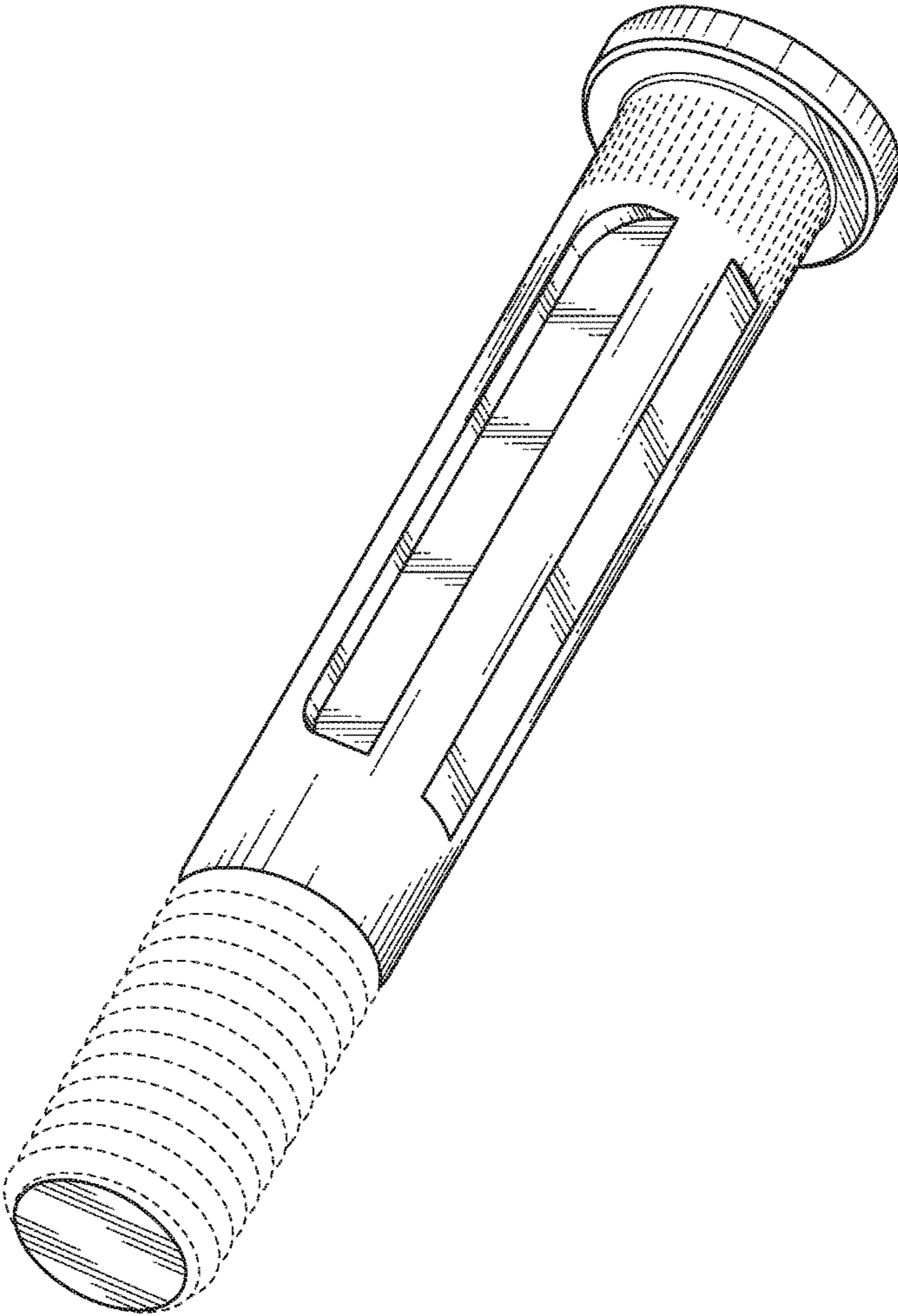


FIG. 1

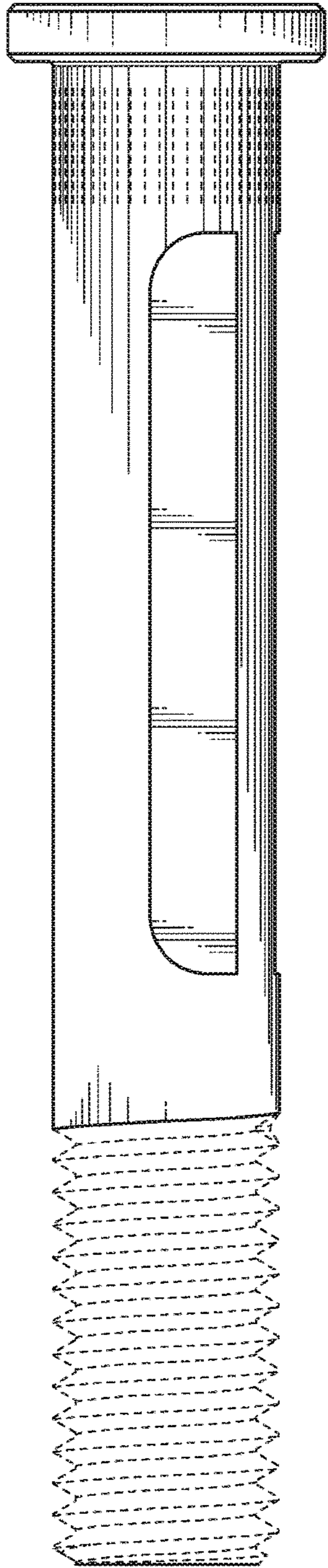


FIG. 2

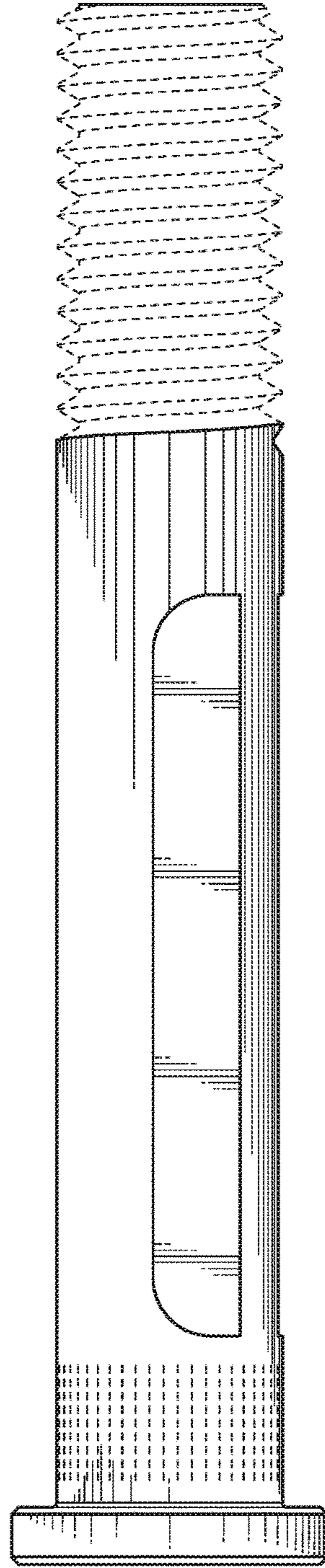


FIG. 3

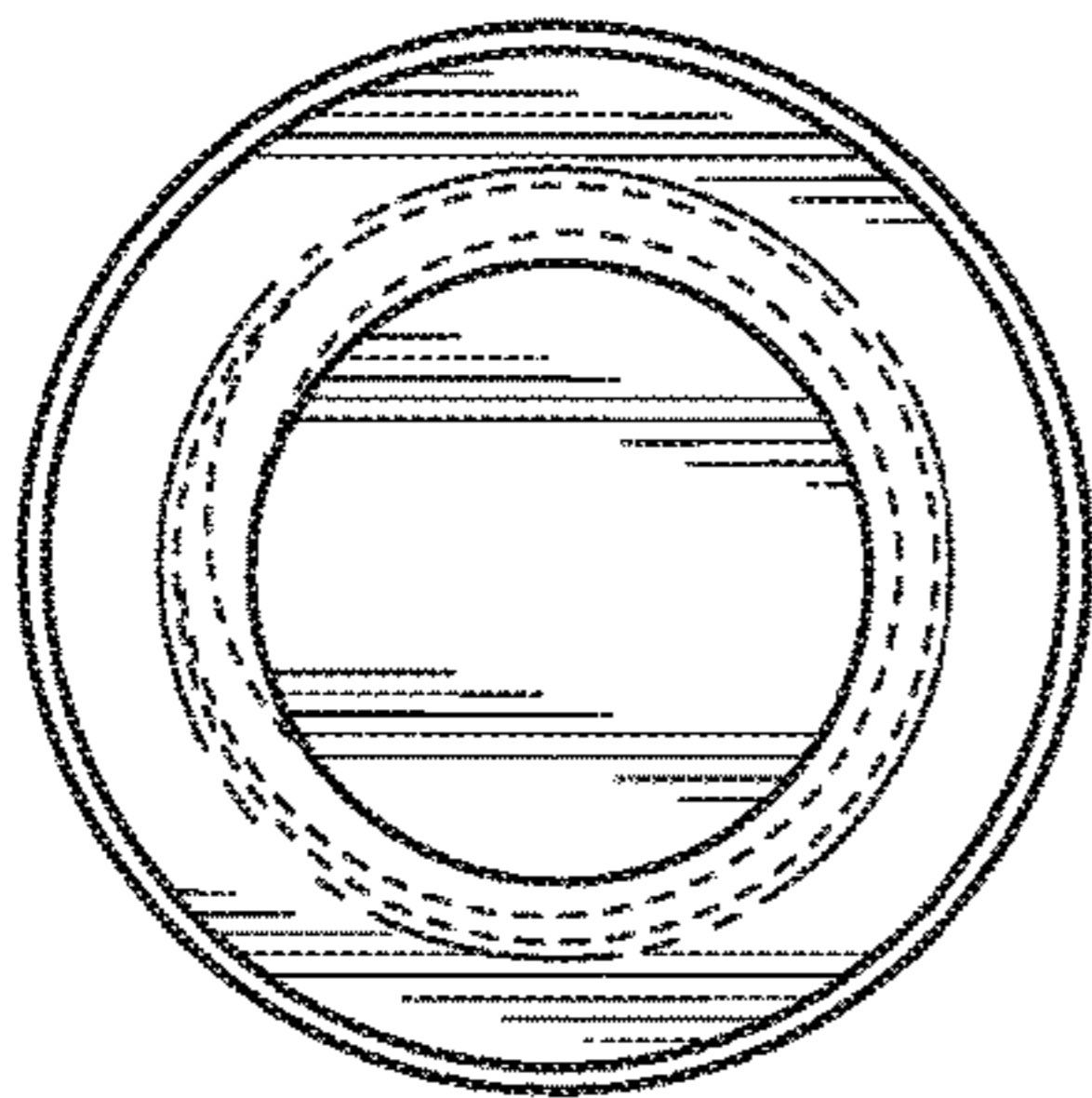


FIG. 4

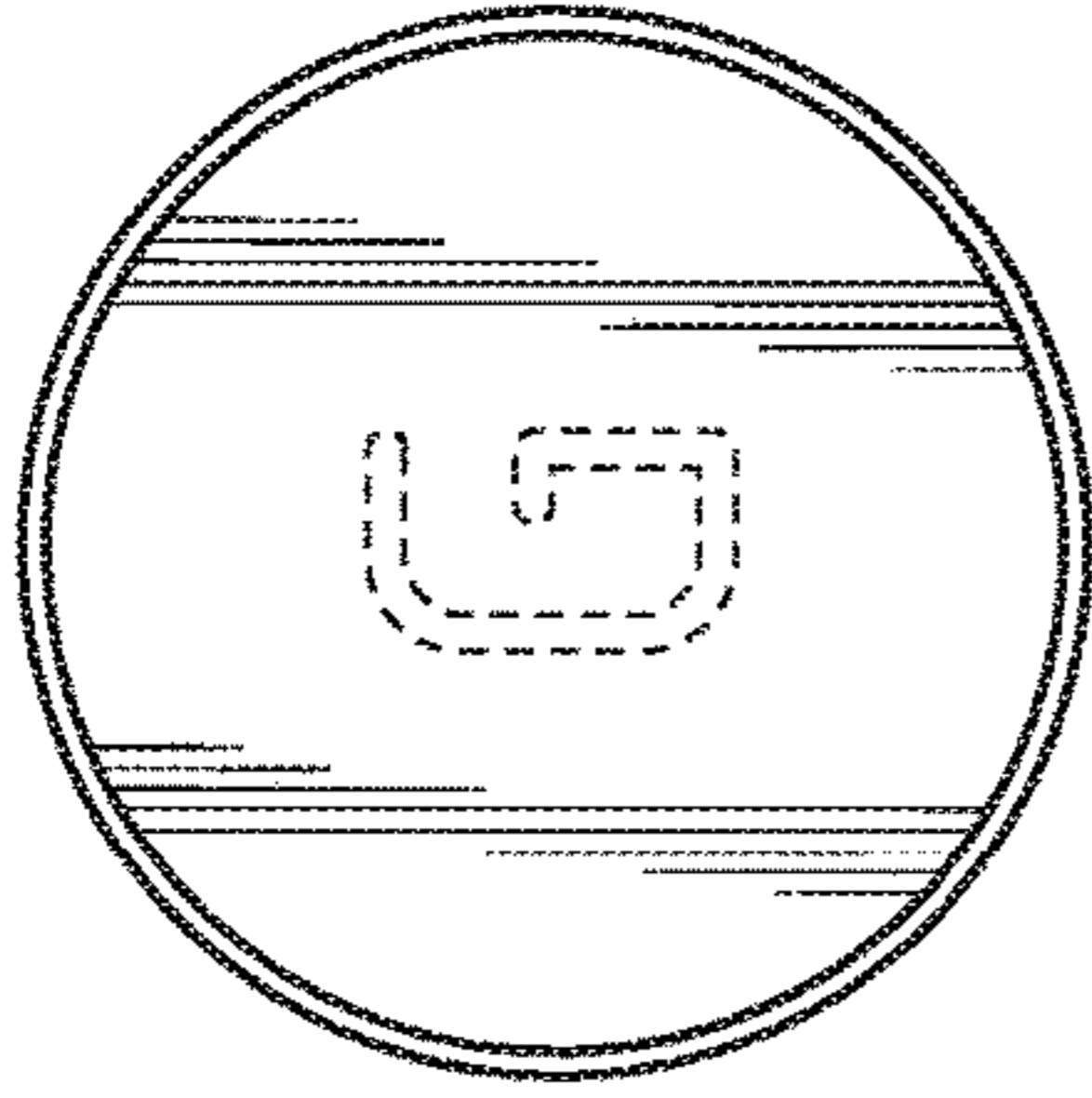


FIG. 5

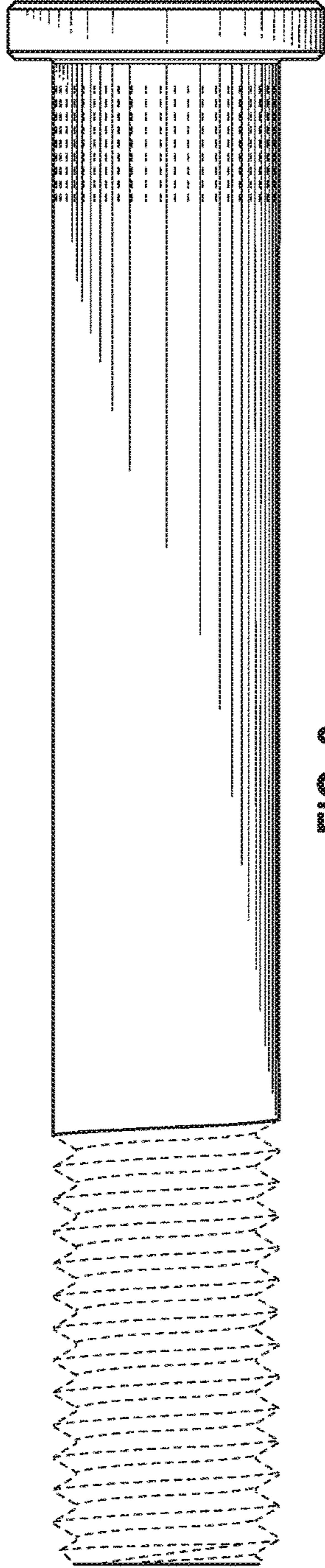


FIG. 6

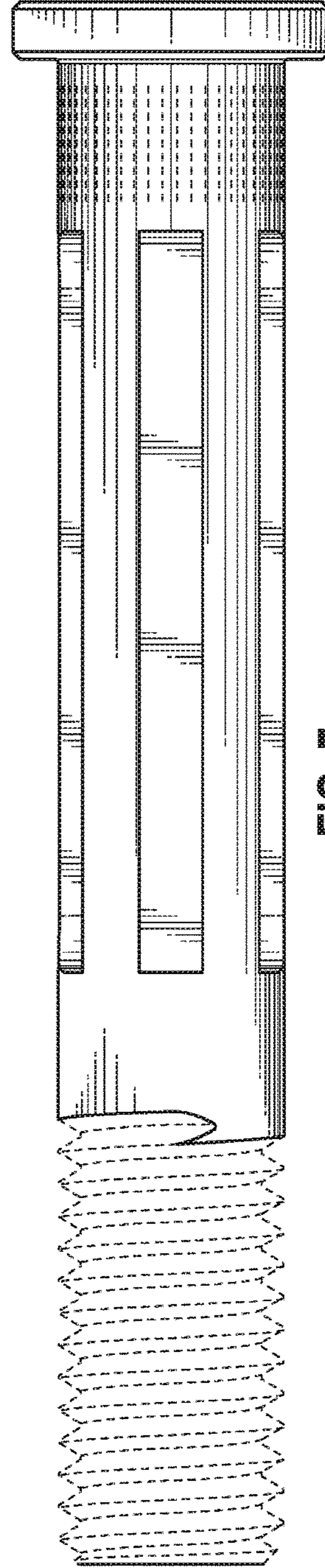
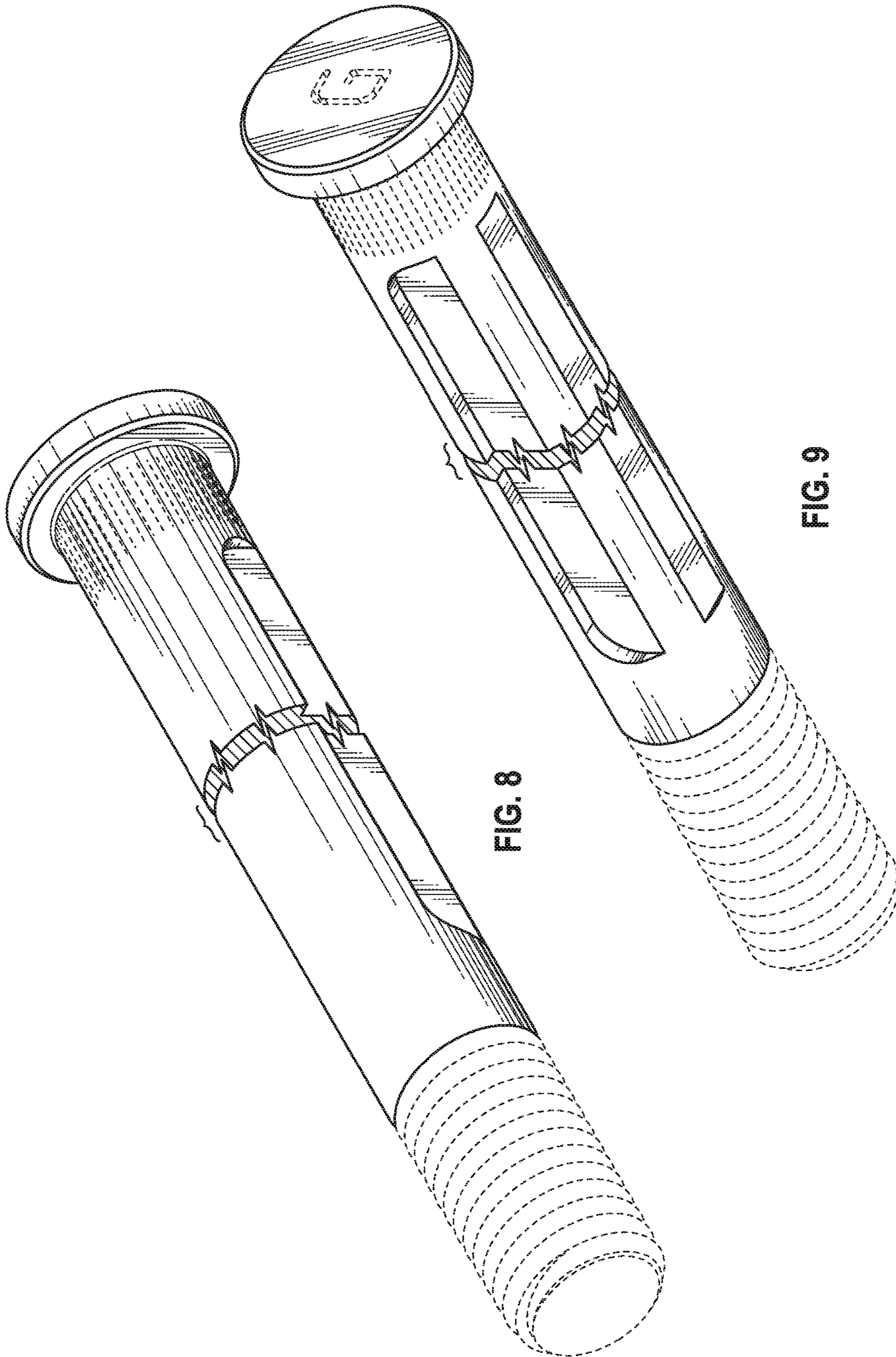
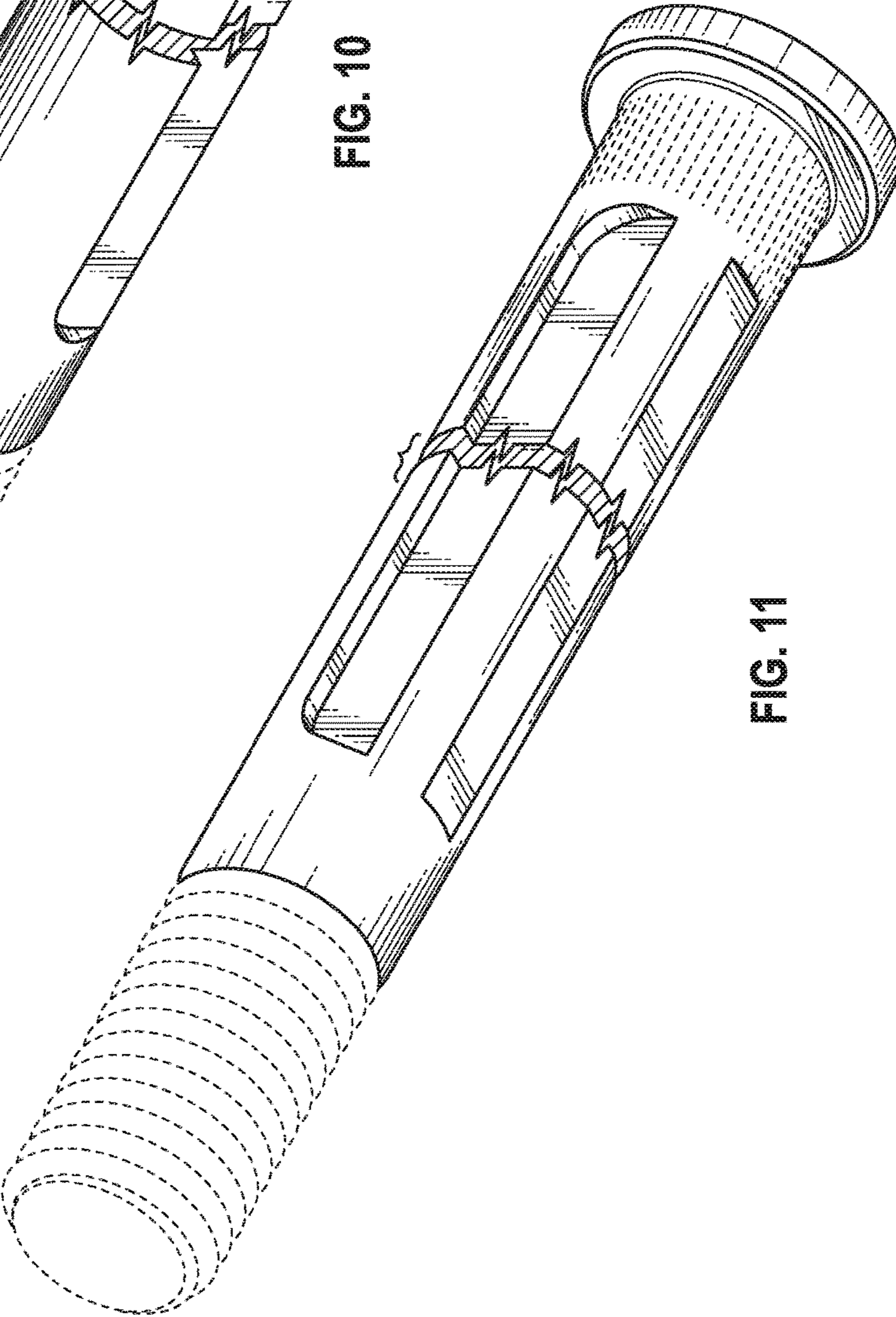
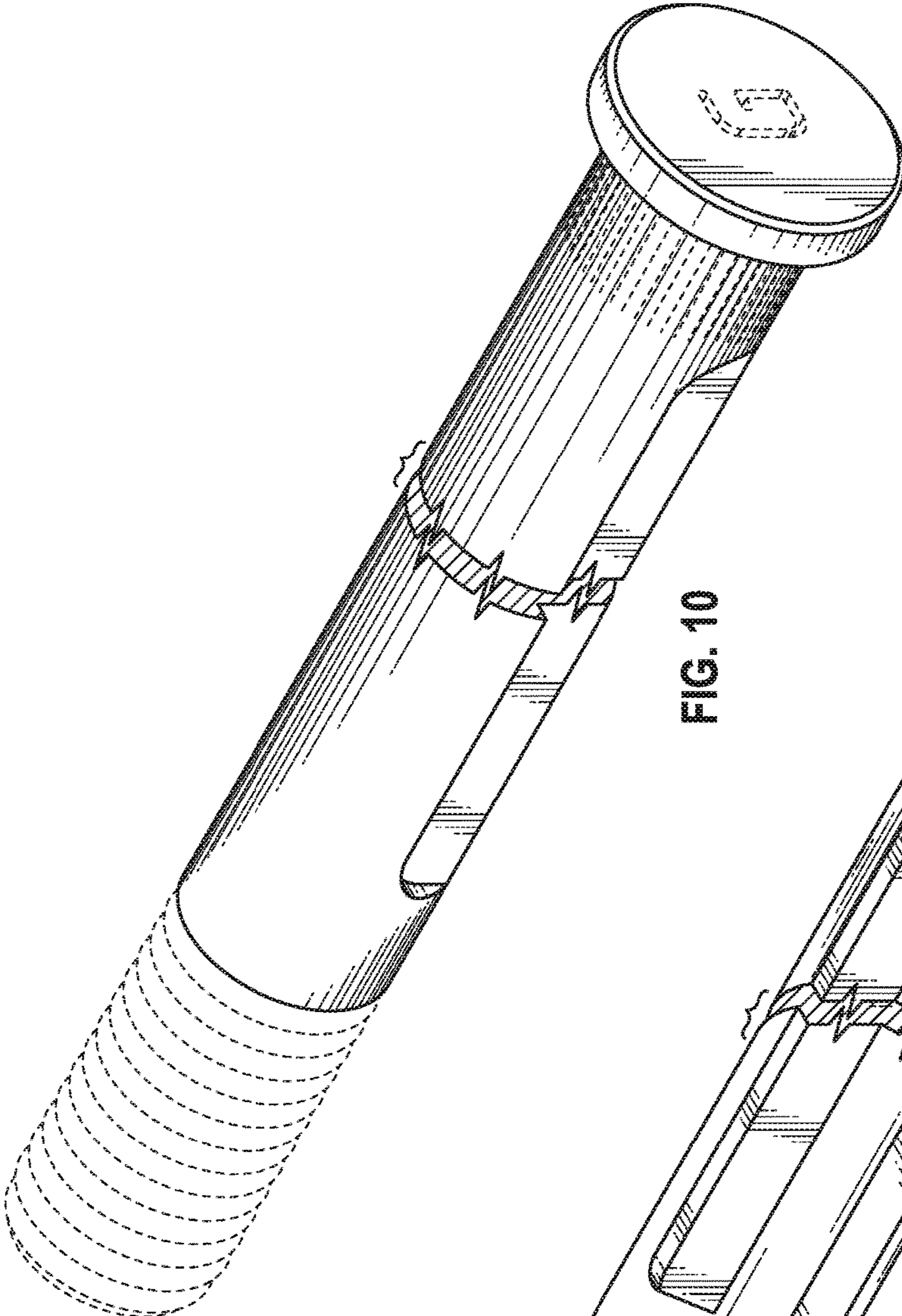


FIG. 7





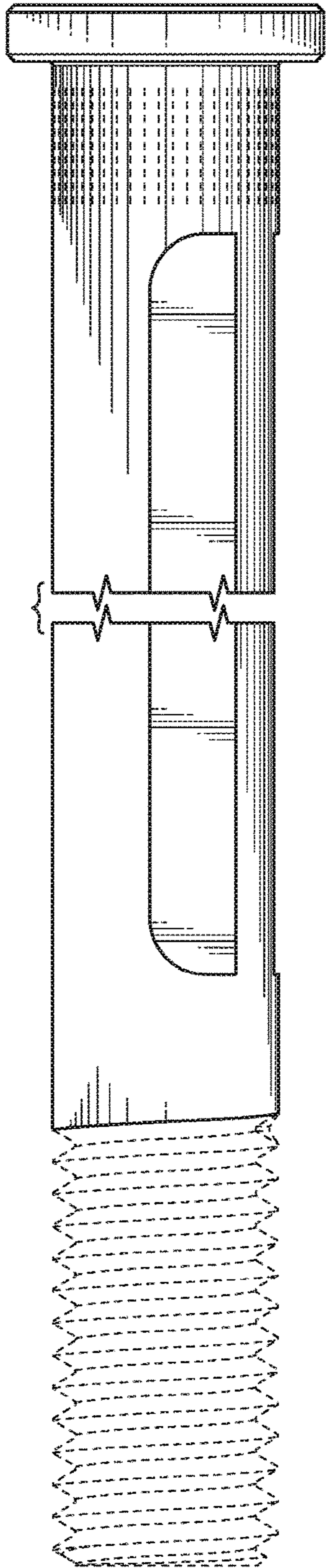


FIG. 12

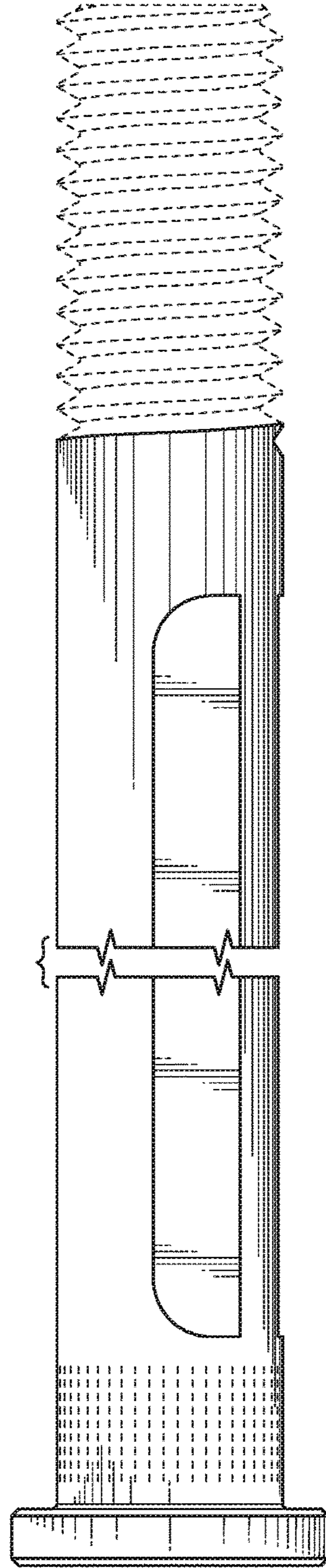


FIG. 13

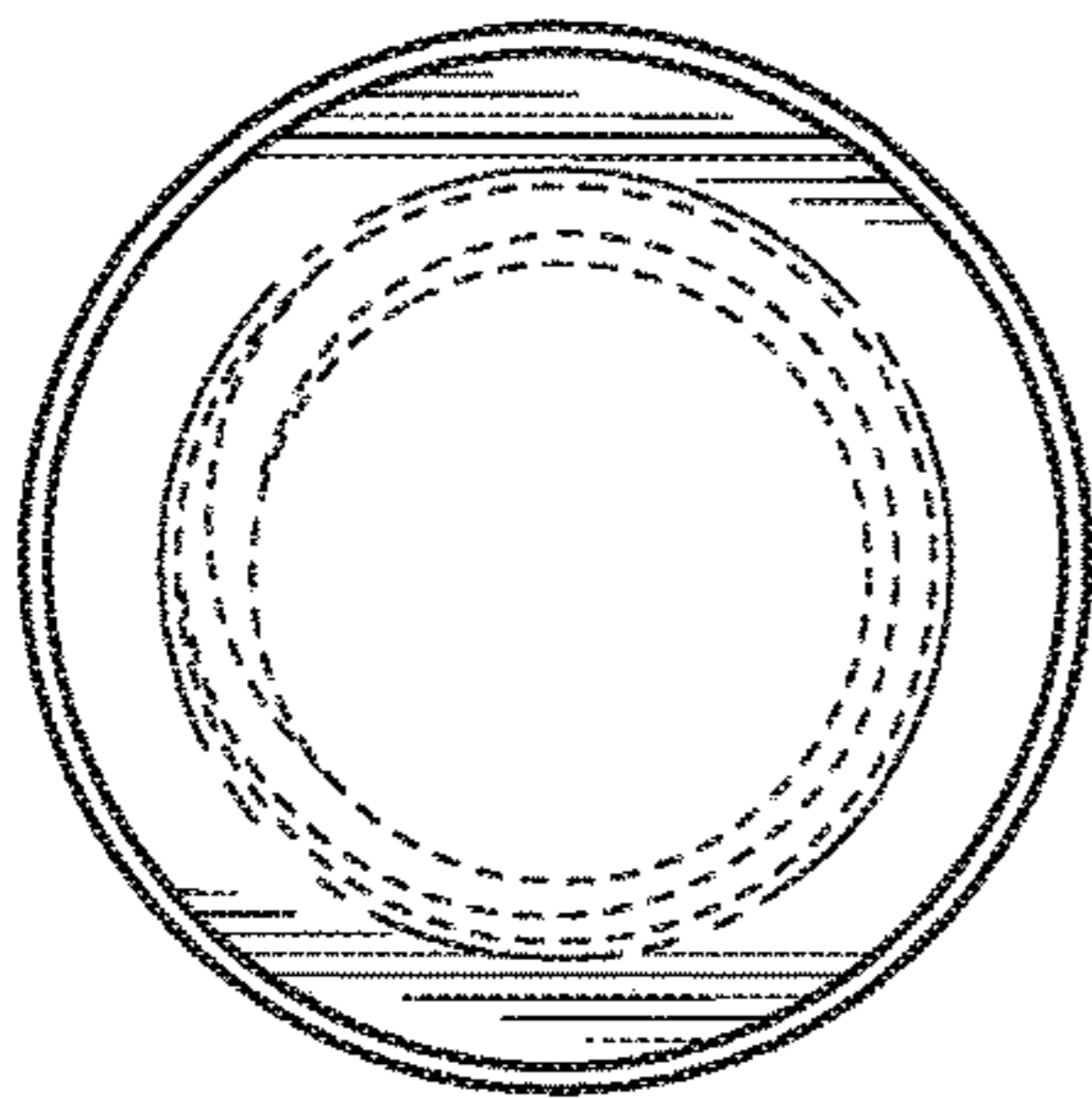


FIG. 14

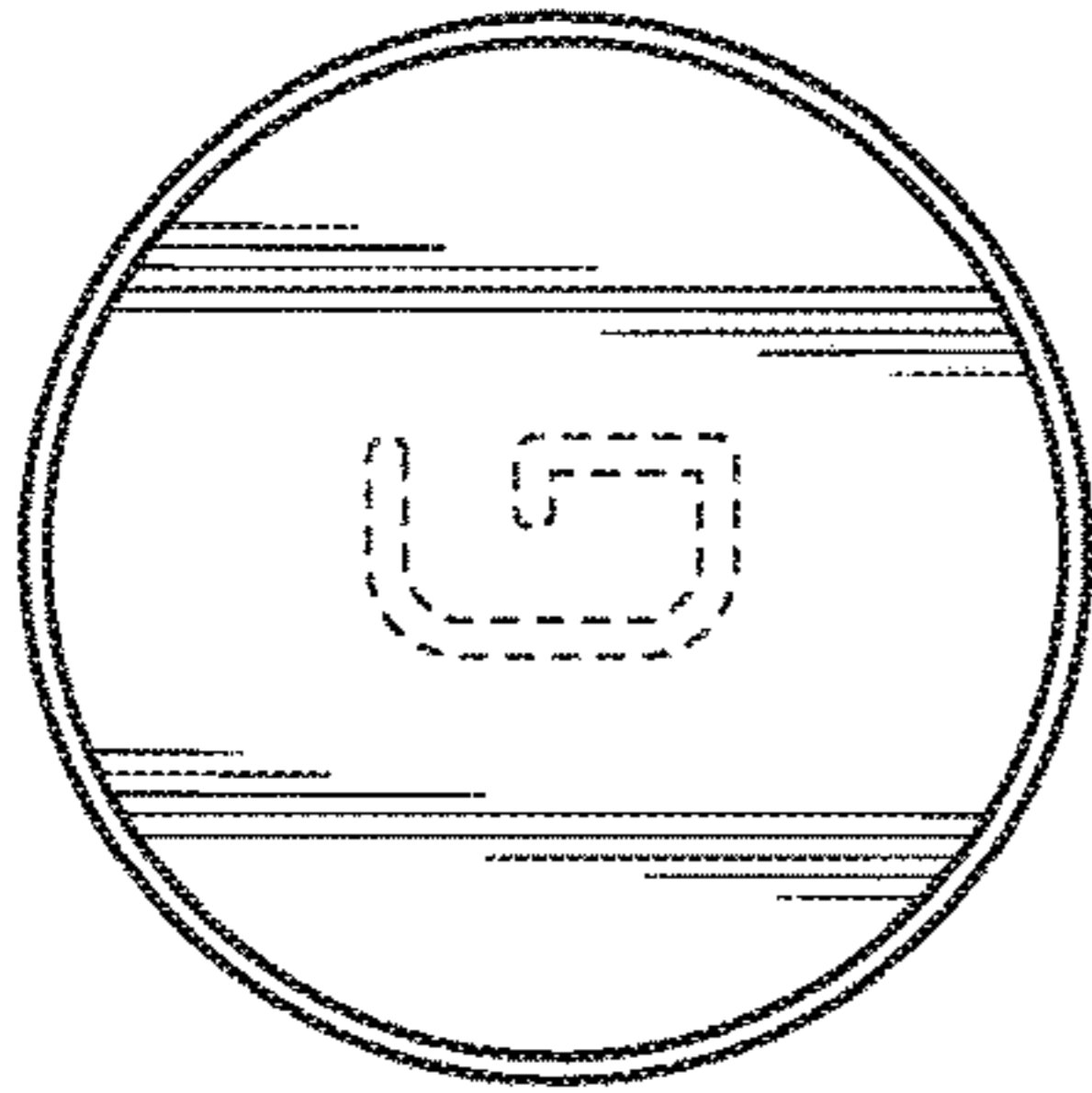


FIG. 15

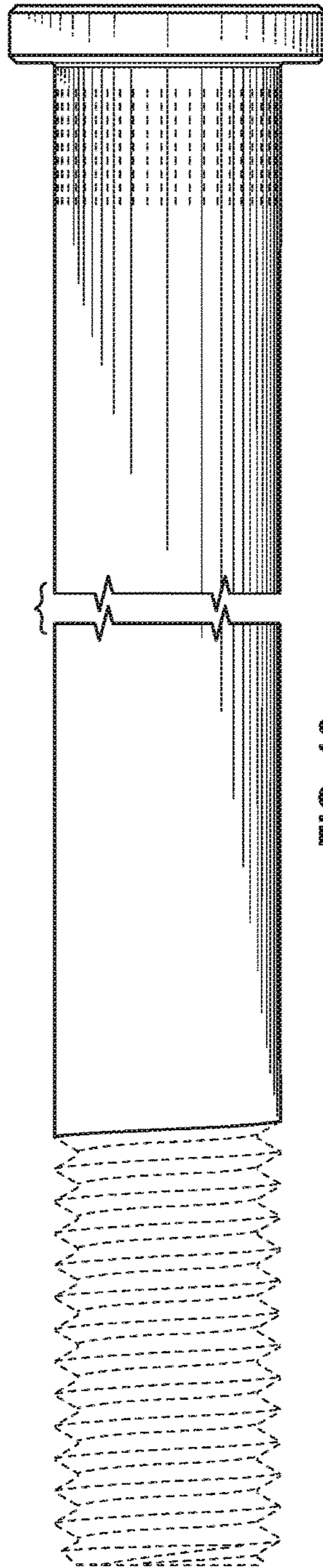


FIG. 16

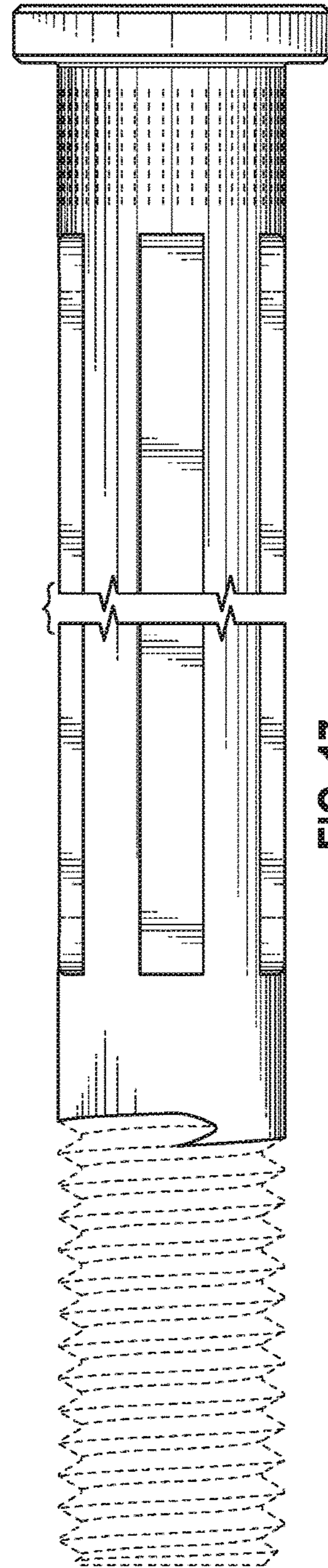
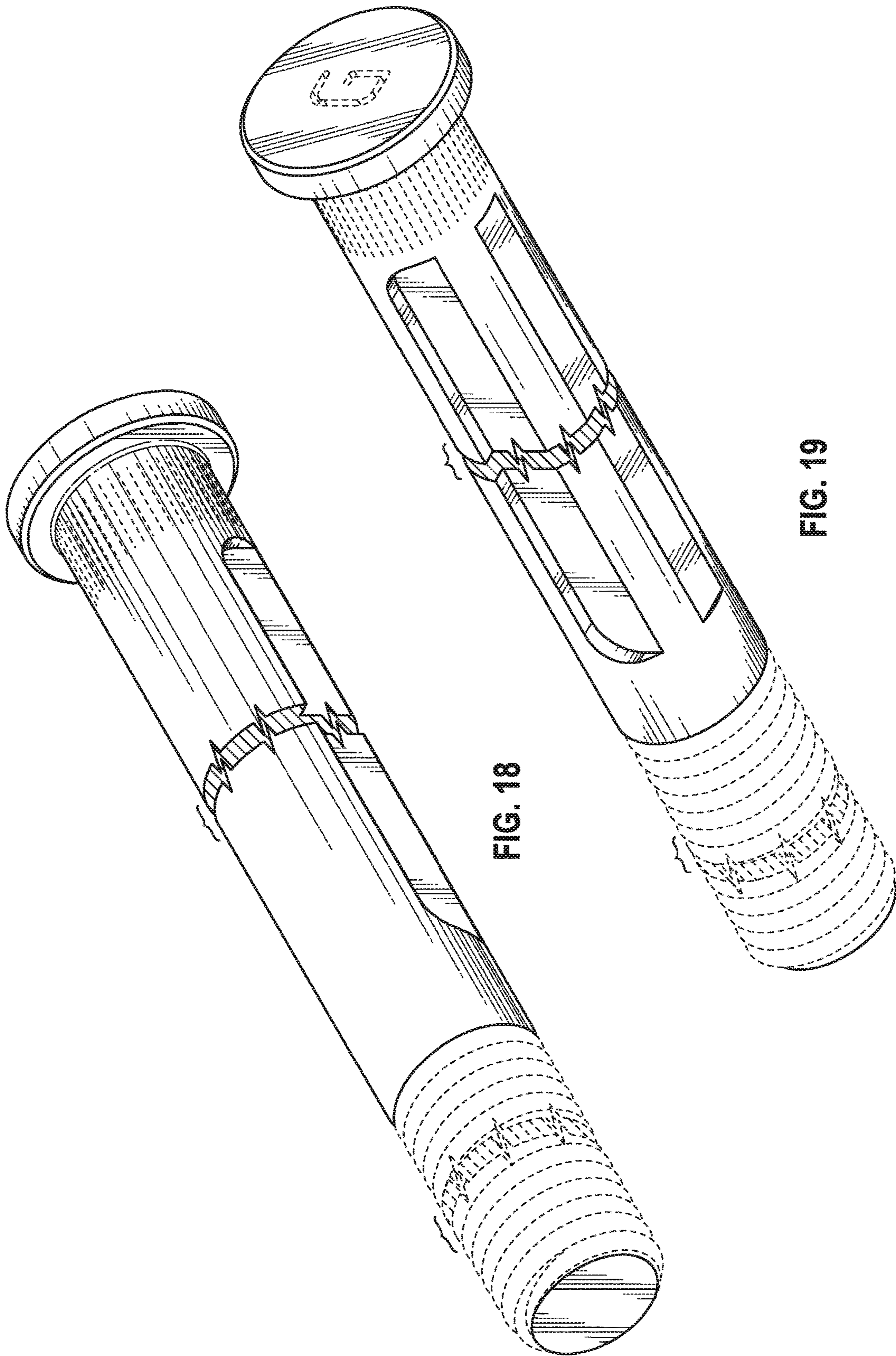


FIG. 17



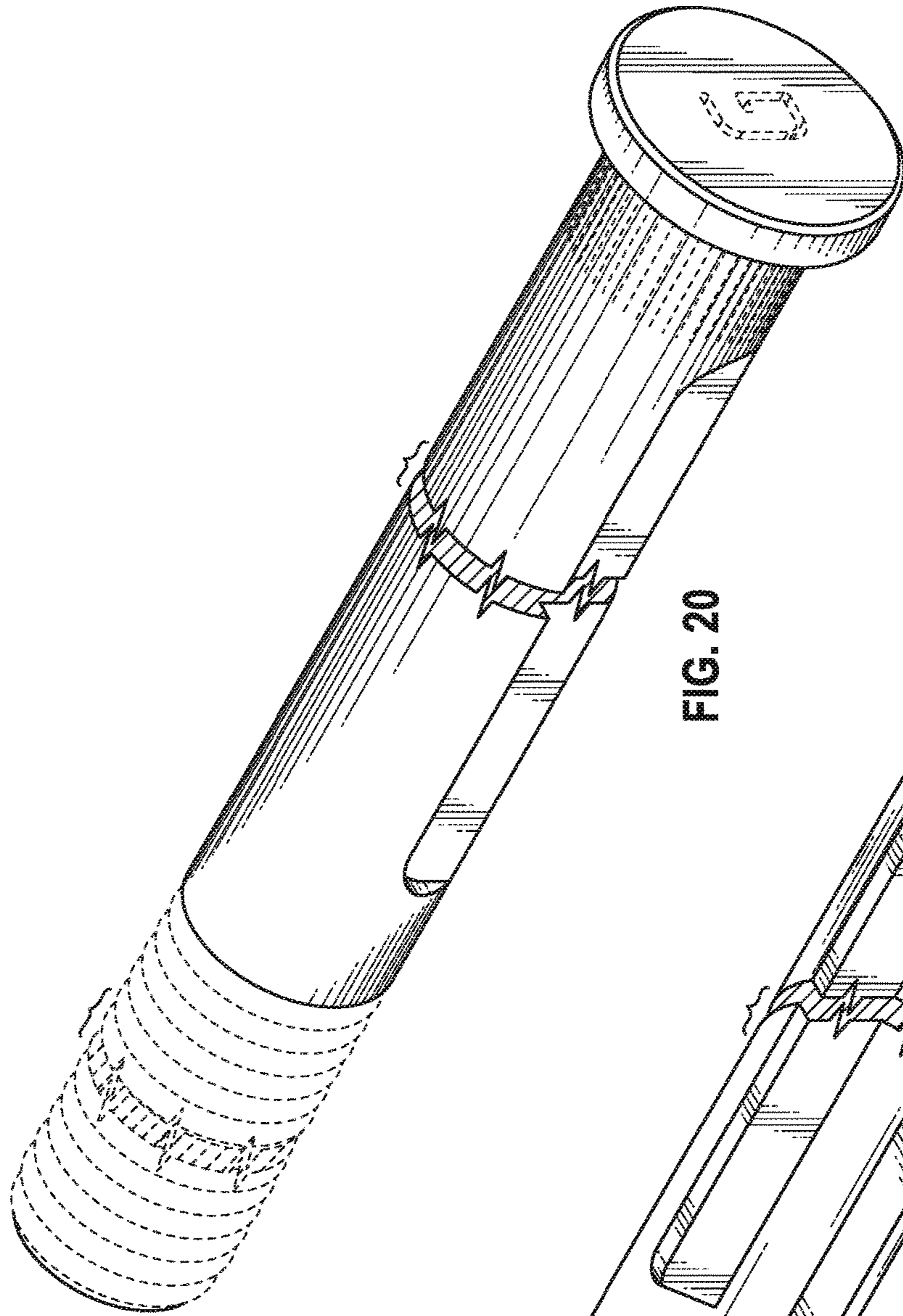


FIG. 20

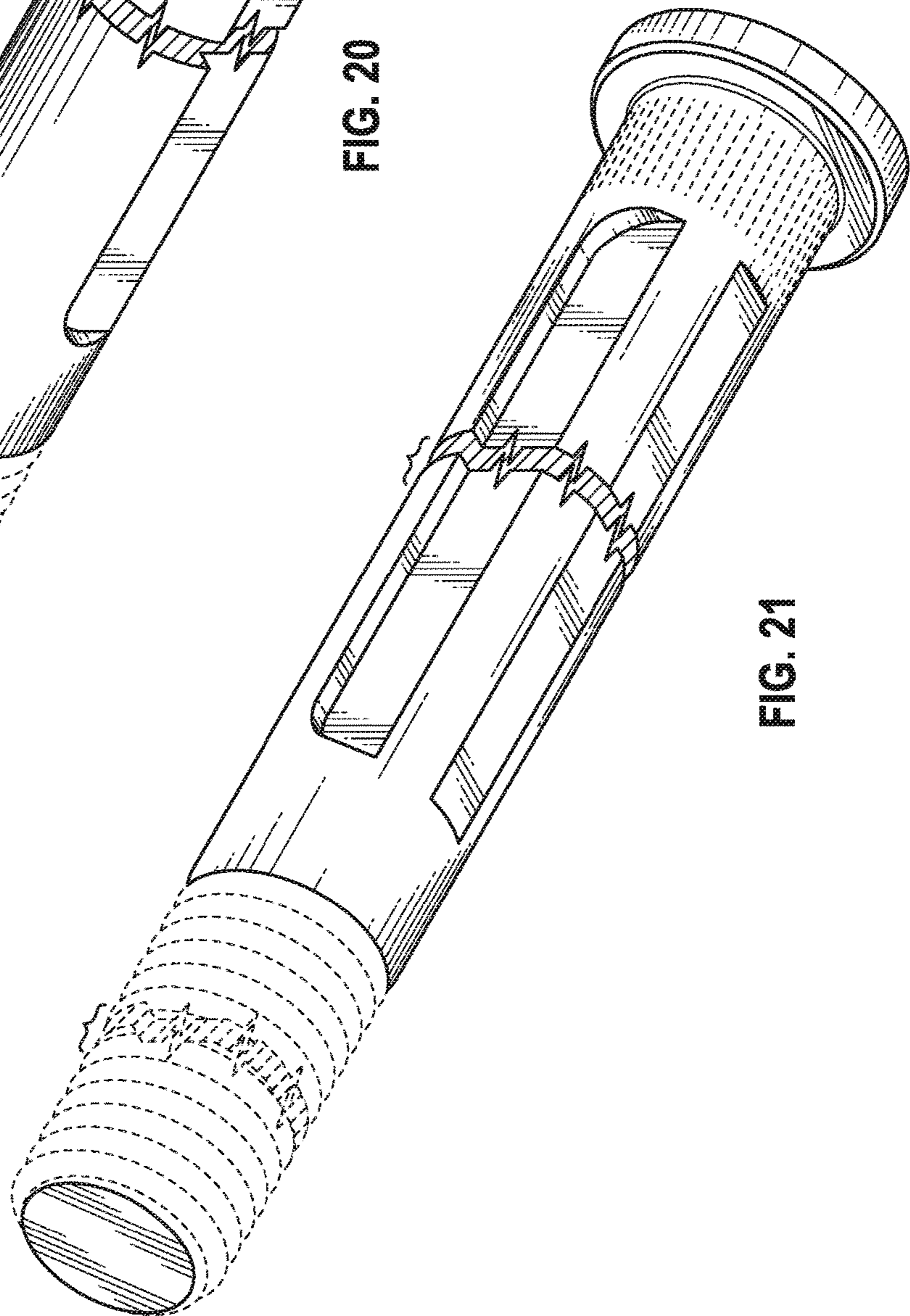


FIG. 21

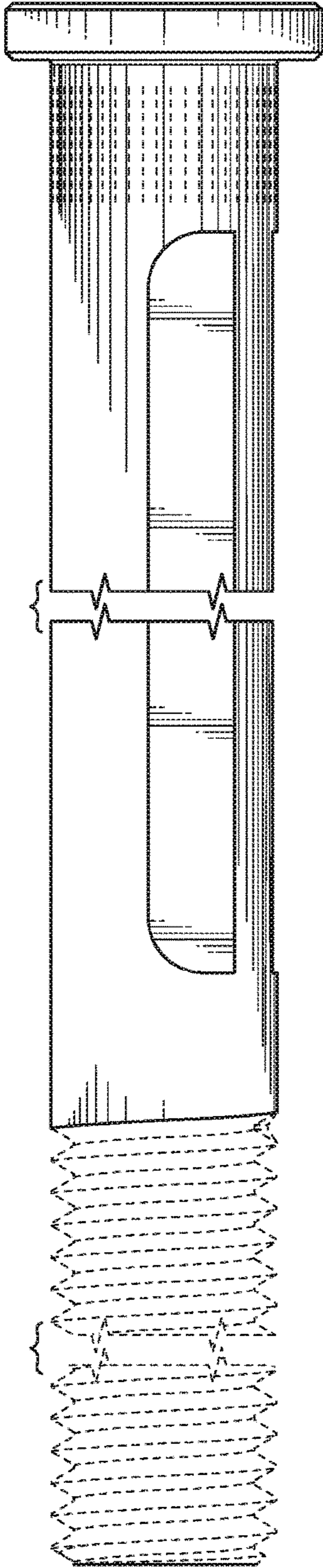


FIG. 22

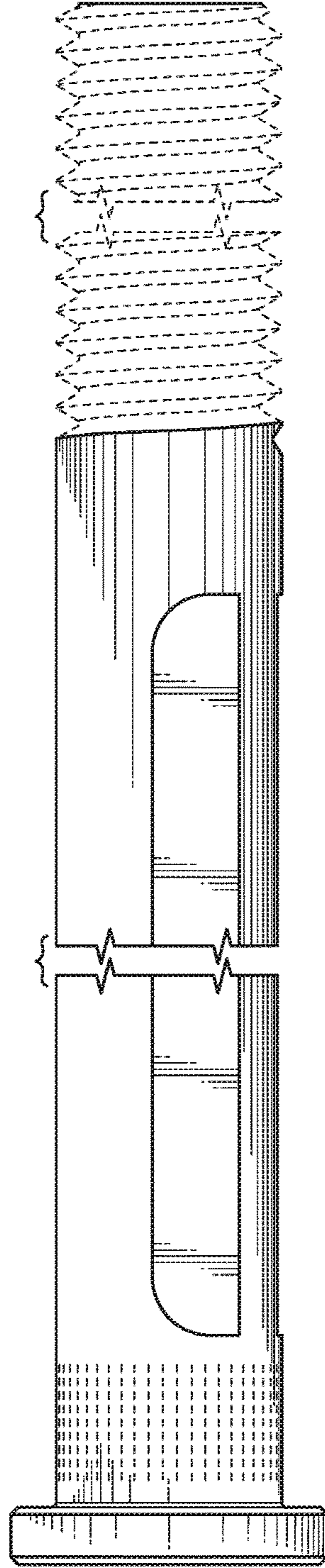


FIG. 23

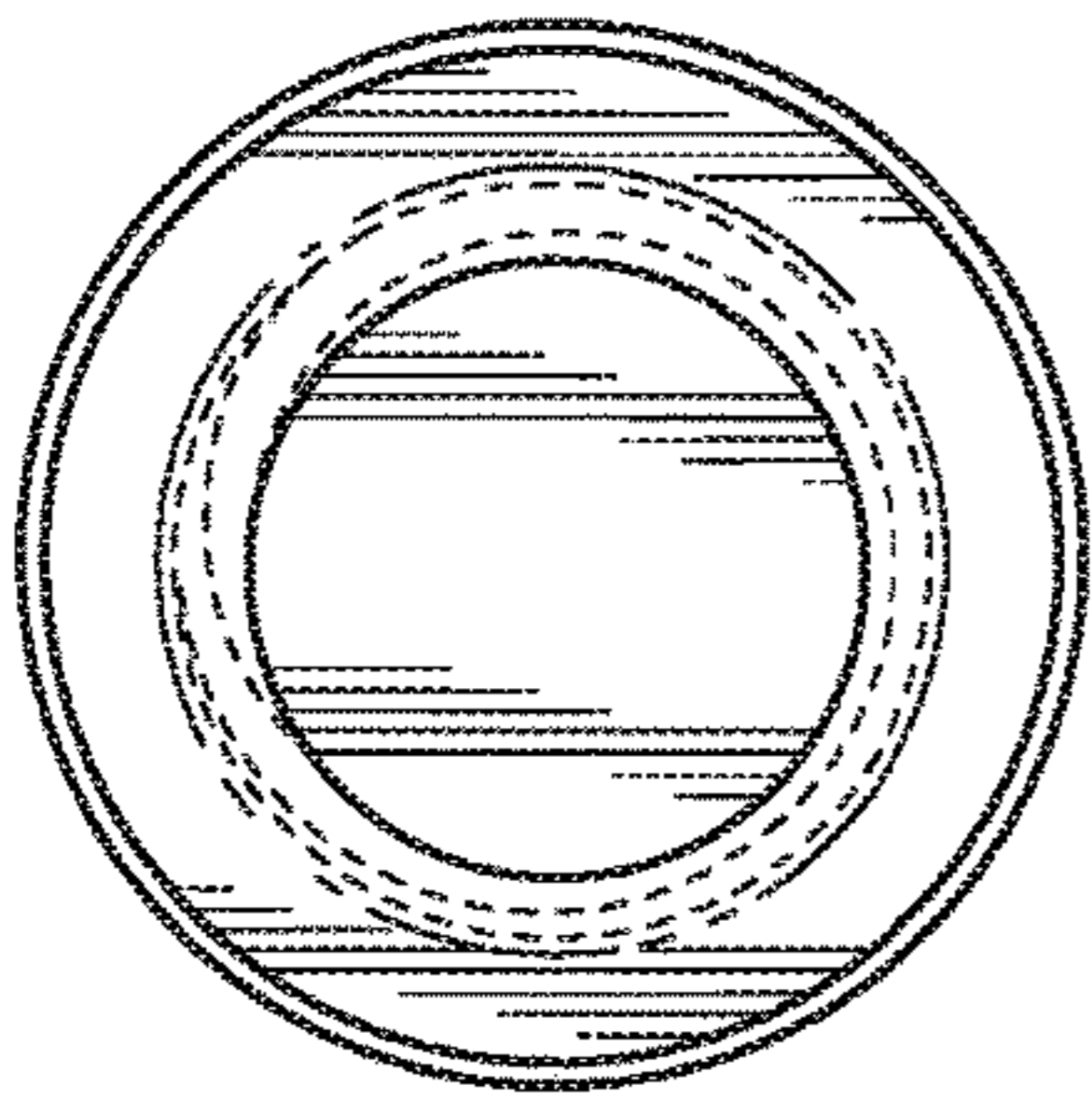


FIG. 24

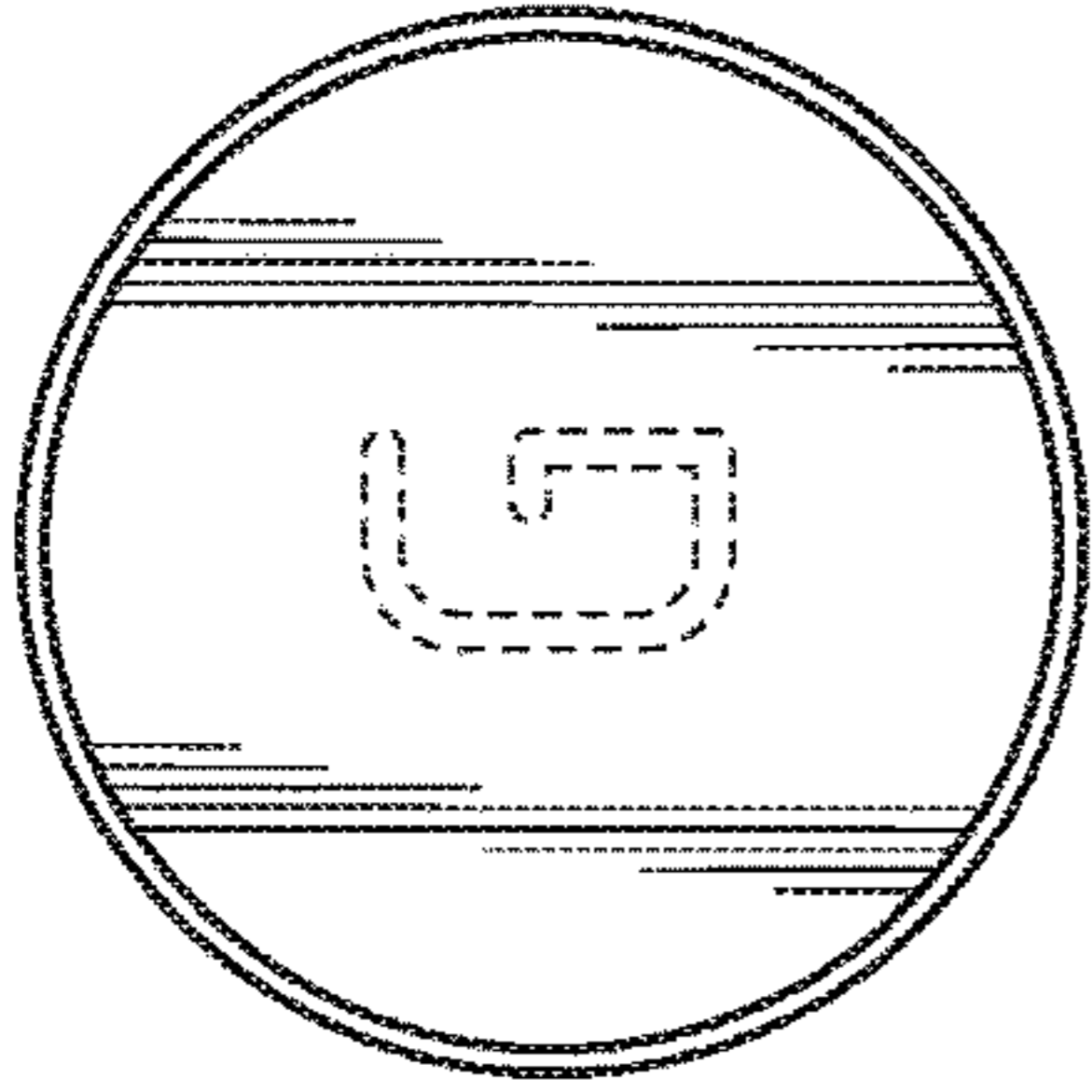


FIG. 25

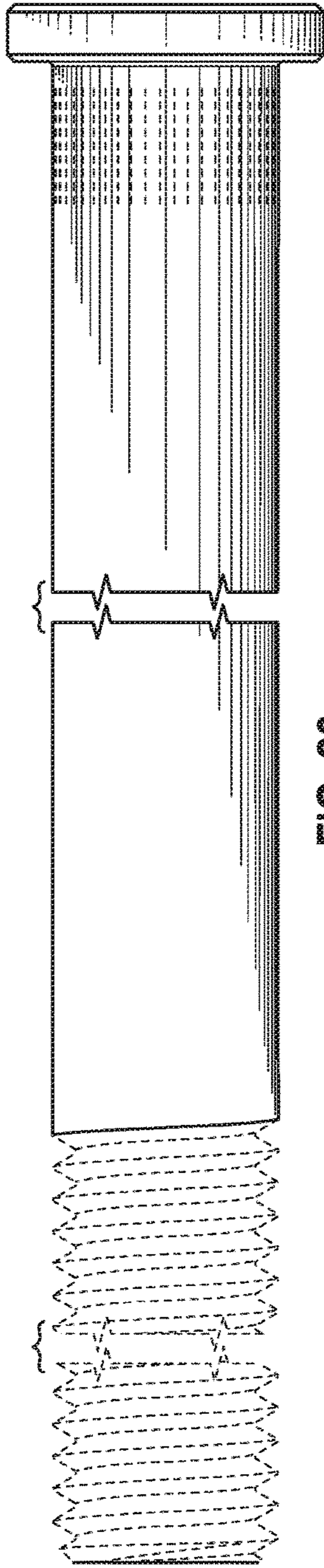


FIG. 26

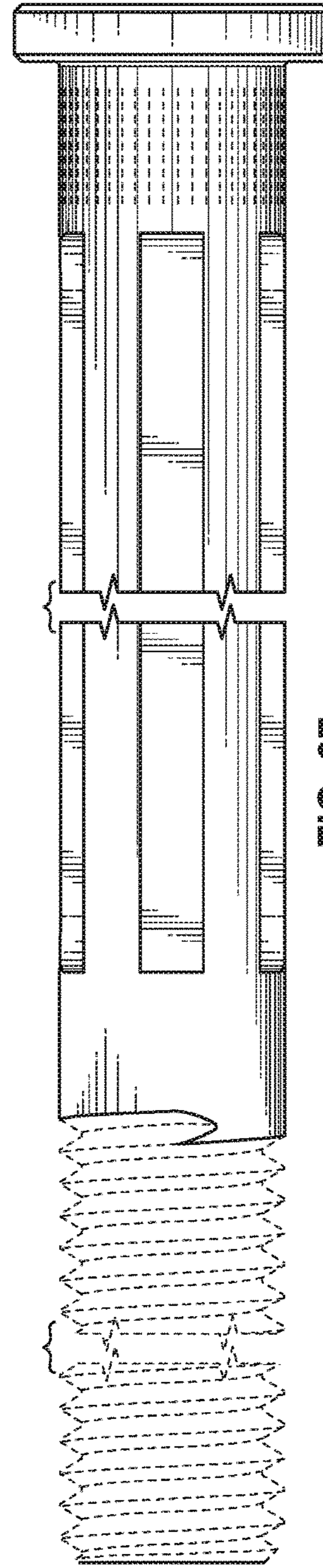


FIG. 27

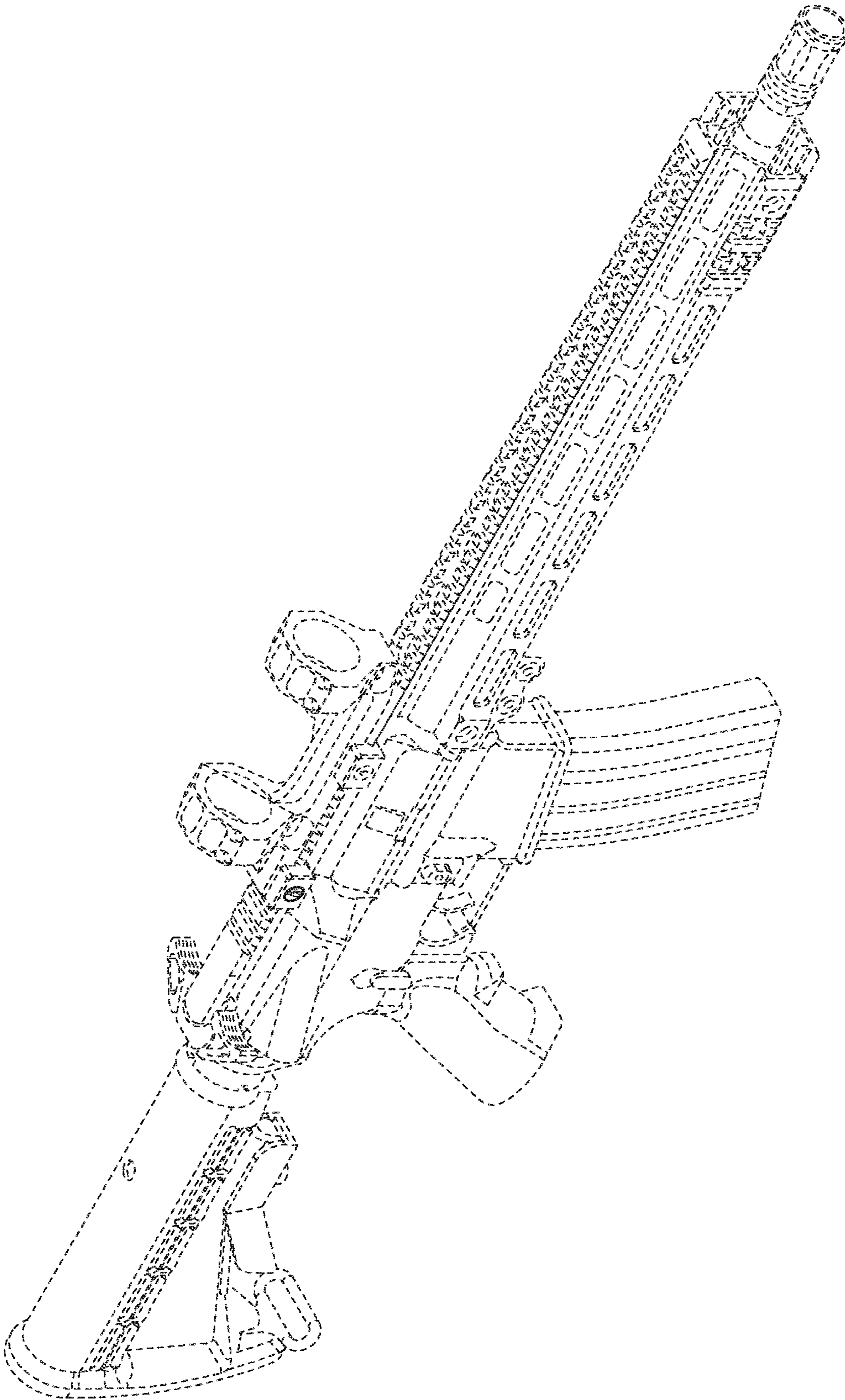


FIG. 28