



US00D792548S

(12) **United States Design Patent** (10) **Patent No.:** **US D792,548 S**  
**Daniel et al.** (45) **Date of Patent:** **\*\* Jul. 18, 2017**

(54) **BASEPLATE FOR A FIREARM  
AMMUNITION MAGAZINE**

(71) Applicant: **Daniel Defense, Inc.**, Black Creek, GA  
(US)

(72) Inventors: **Marvin C. Daniel**, Pooler, GA (US);  
**Dewayne Lee Thompson**, Lexington,  
KY (US); **Ryan Keith Holloway**,  
Pooler, GA (US)

(73) Assignee: **DANIEL DEFENSE, INC.**, Black  
Creek, GA (US)

(\*\*) Term: **15 Years**

(21) Appl. No.: **29/554,314**

(22) Filed: **Feb. 10, 2016**

(51) **LOC (10) Cl.** ..... **22-01**

(52) **U.S. Cl.**  
USPC ..... **D22/108**

(58) **Field of Classification Search**  
USPC ..... D22/100, 101, 103, 105, 108, 109, 110;  
D21/572-575; D14/418; 42/124, 125,  
42/126, 127, 128, 10, 83, 85, 86, 87, 90,  
42/113, 117, 141, 75.01, 75.02, 75.03,  
42/75.05, 50, 51, 71.01, 94; 362/110  
CPC .... F41G 11/001; F41G 11/003; F41G 11/004;  
F41G 11/005; F41G 11/006; F41G 1/00;  
F41G 1/065; F41G 1/08; F41G 1/17;  
F41G 1/42; F41G 1/32; F41G 1/35; F41G  
1/38; F41G 1/02; F41G 1/12; F41G 1/16;  
F41G 1/345; F41G 1/425; F41G 3/00;  
F41A 21/482; F41A 21/488; F41A 21/00;  
F41A 11/00; F41A 11/02; F41A 11/04;  
F41A 3/66; F41A 3/72; F41A 9/61; F41A  
9/62; F41A 9/65; F41A 9/70; F41A 9/83;  
F41A 17/38; F41C 23/04; F41C 23/10;  
F41C 23/14; F41C 23/16; F41C 23/20;  
F41C 7/00; F41C 27/00; G02B 23/105

See application file for complete search history.

(56) **References Cited**

U.S. PATENT DOCUMENTS

D344,780 S \* 3/1994 Jenkins ..... D22/108  
5,666,752 A \* 9/1997 Grams ..... F41A 9/71  
42/49.02  
D487,790 S \* 3/2004 Freed ..... D22/108  
D493,861 S \* 8/2004 Rauch ..... D22/108  
D576,701 S \* 9/2008 Nichols ..... D22/108  
D593,634 S \* 6/2009 Fitzpatrick ..... D22/108  
D706,895 S \* 6/2014 Zayatz ..... D22/108

(Continued)

OTHER PUBLICATIONS

DD Magazine, no date available, earliest review posted Jun. 13,  
2016, [online], [site visited Dec. 16, 2016]. Retrieved from  
<url:https://danieldefense.com/components-parts/dd-magazinem.  
html>.\*

*Primary Examiner* — Jeffrey D Asch

*Assistant Examiner* — Tracey J Bell

(74) *Attorney, Agent, or Firm* — Eversheds Sutherland  
(US) LLP

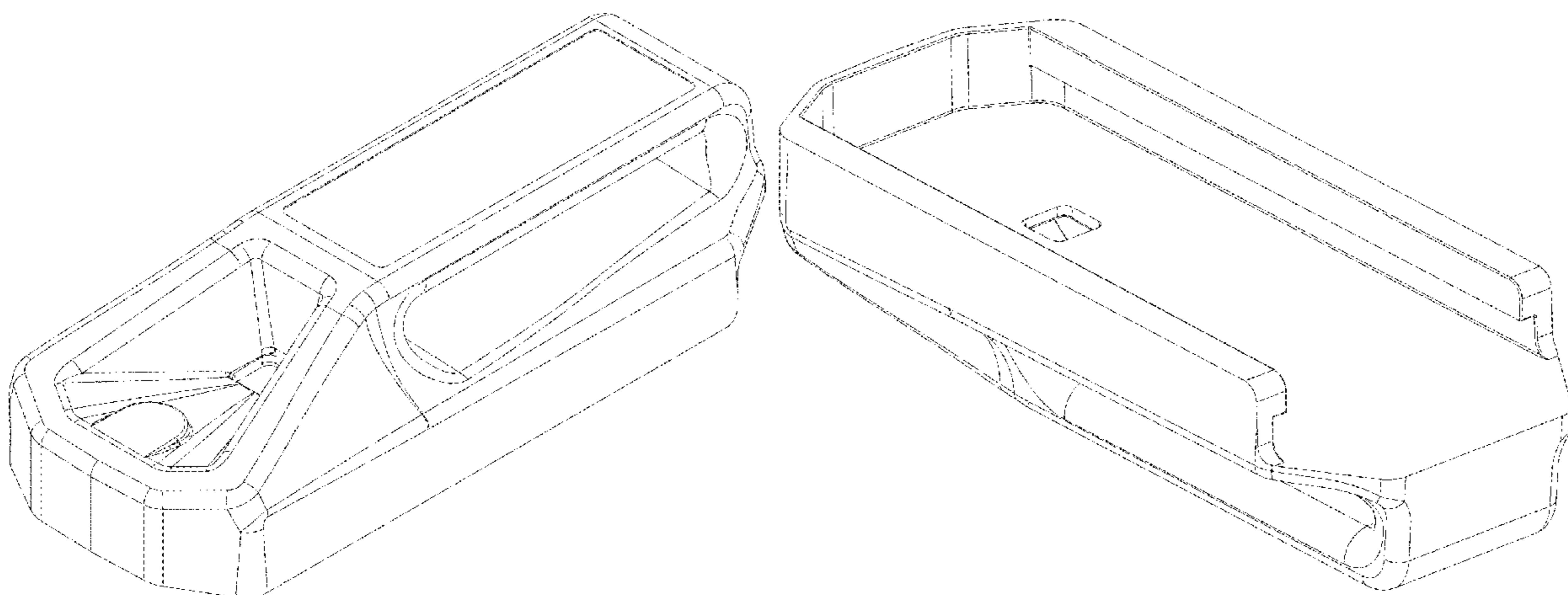
(57) **CLAIM**

The ornamental design for a baseplate for a firearm ammu-  
nition magazine, as shown and described.

**DESCRIPTION**

FIG. 1 is a perspective view of a baseplate for a firearm  
ammunition magazine showing our new design;  
FIG. 2 is a perspective view thereof;  
FIG. 3 is a bottom view thereof;  
FIG. 4 is a top view thereof;  
FIG. 5 is a rear view thereof;  
FIG. 6 is a first side view thereof;  
FIG. 7 is a second side view thereof;  
FIG. 8 is a front view thereof;  
FIG. 9 is a perspective view thereof; and,  
FIG. 10 is a perspective view thereof.

**1 Claim, 4 Drawing Sheets**



(56)

**References Cited**

U.S. PATENT DOCUMENTS

D769,397 S *	10/2016	Lam .....	D22/108
2013/0019511 A1 *	1/2013	Plataniotis .....	F41A 9/65 42/6
2013/0104440 A1 *	5/2013	Addis .....	F41A 17/38 42/90
2013/0227870 A1 *	9/2013	Rendulic .....	F41A 9/65 42/50
2014/0047751 A1 *	2/2014	Lee .....	F41A 9/65 42/49.01
2014/0068992 A1 *	3/2014	Keng .....	F41A 9/65 42/94
2014/0352189 A1 *	12/2014	Fitzpatrick .....	F41A 9/69 42/50
2015/0121736 A1 *	5/2015	Faifer .....	F41A 9/65 42/49.01

\* cited by examiner

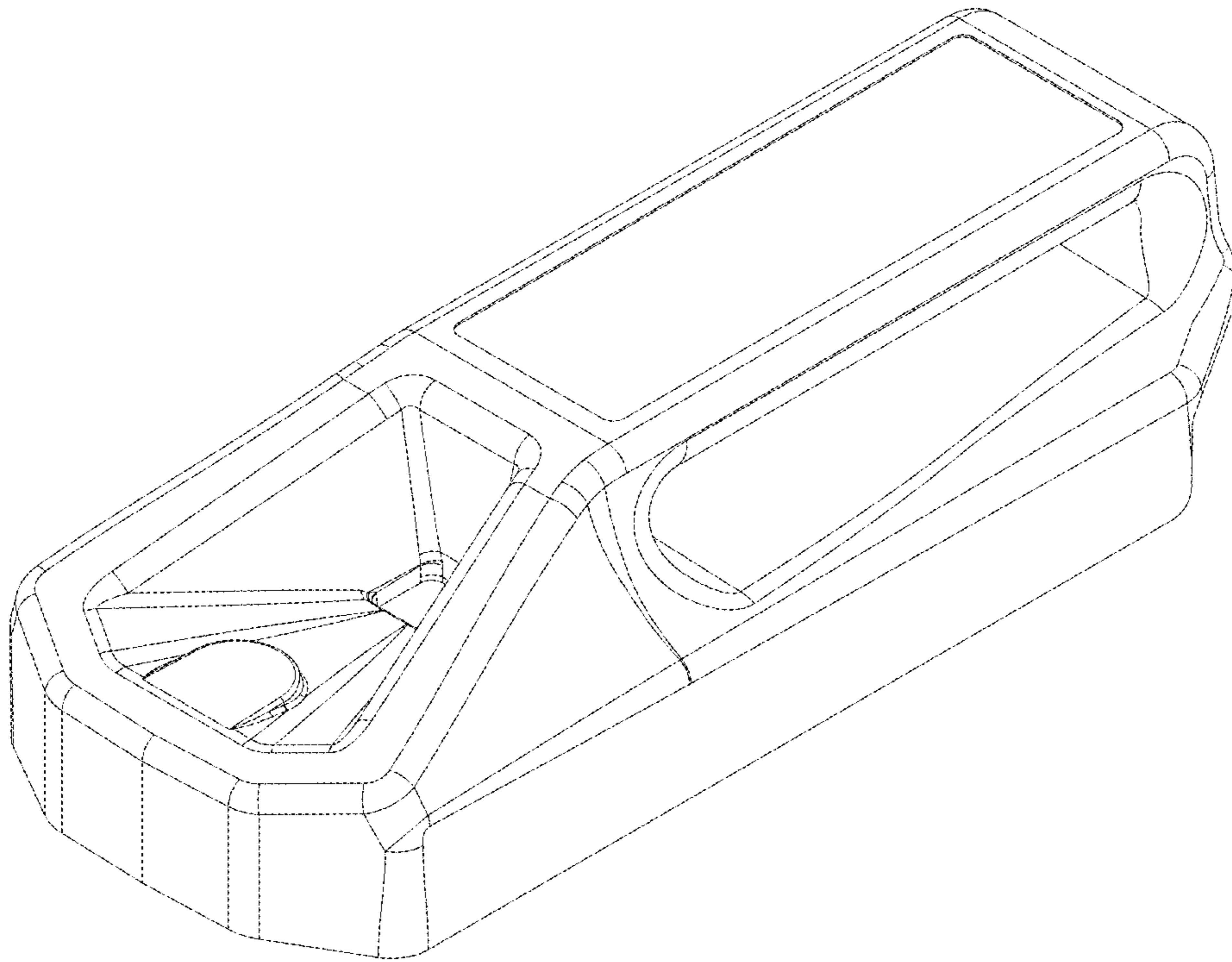


FIG. 1

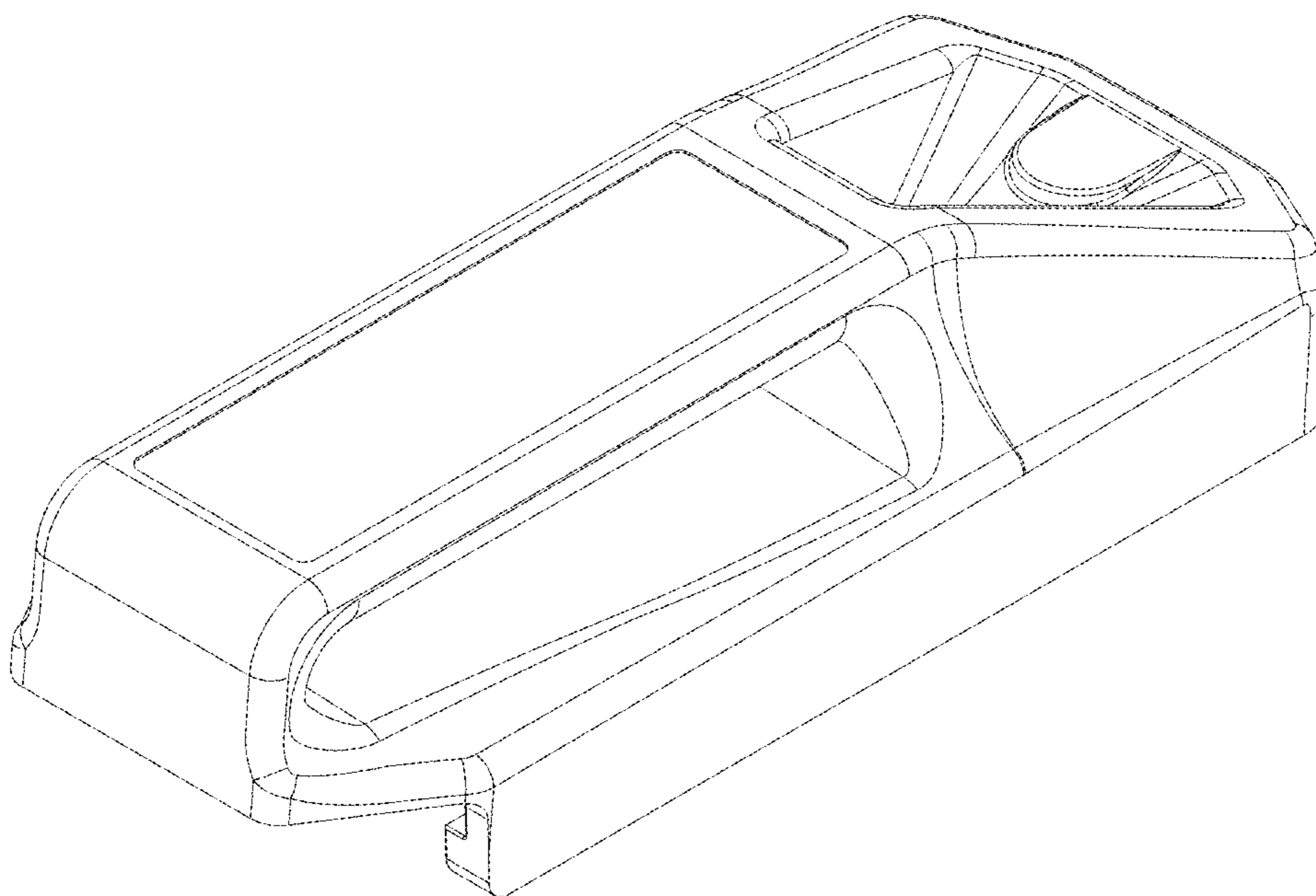


FIG. 2

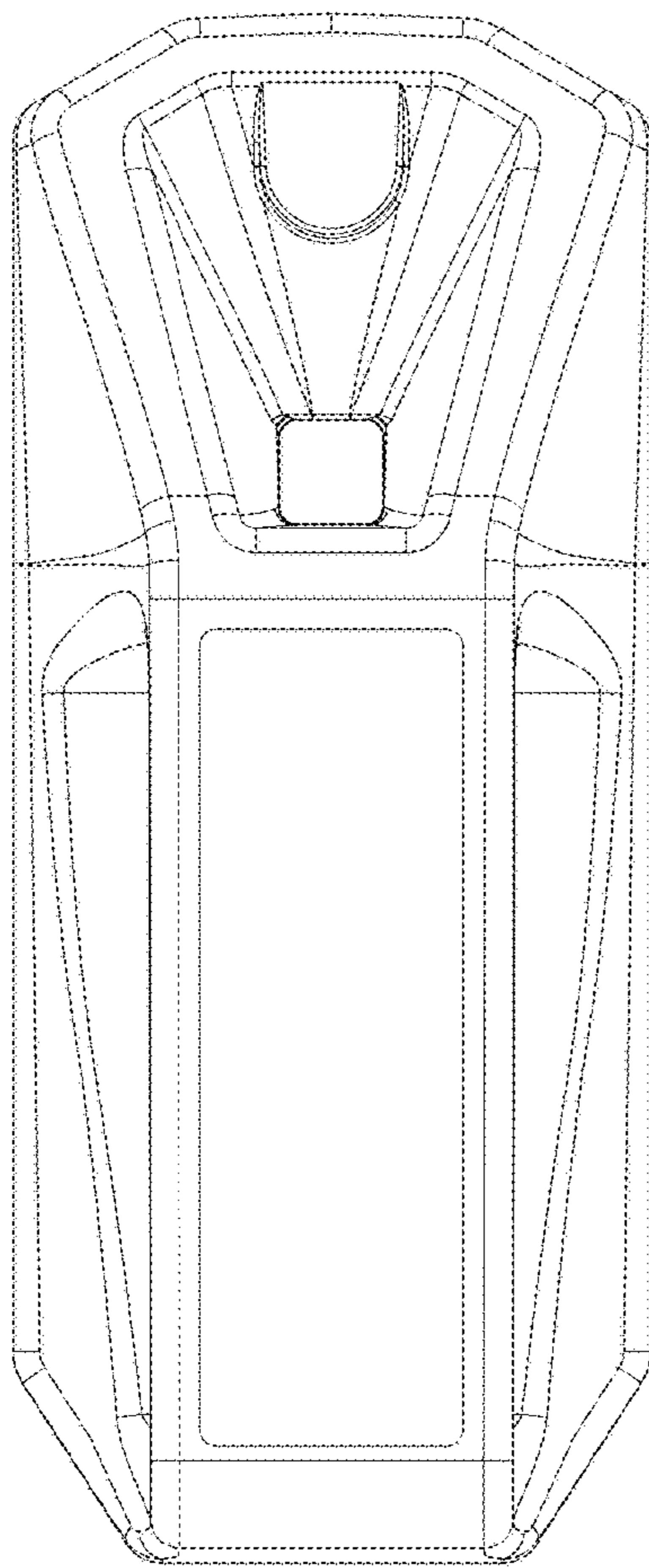


FIG. 3

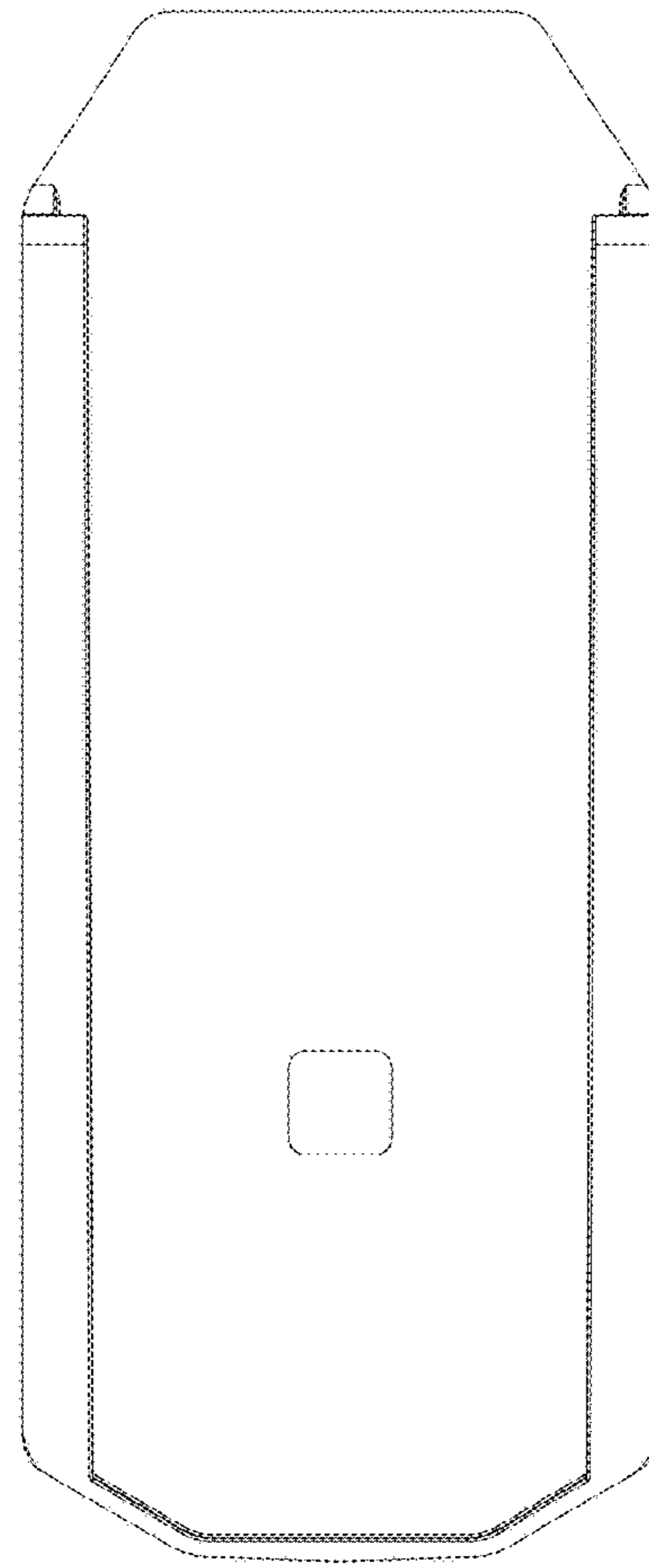


FIG. 4

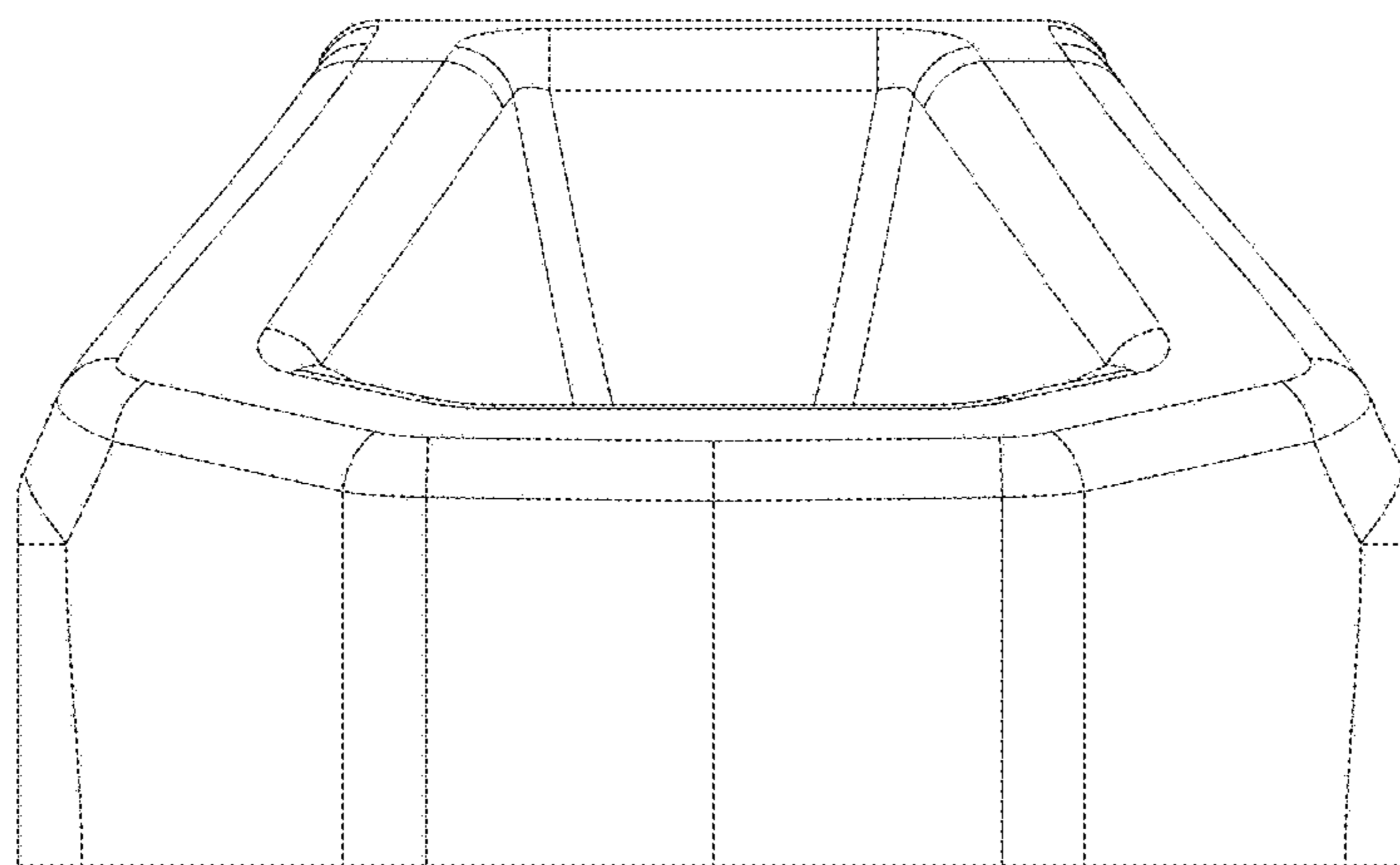


FIG. 5

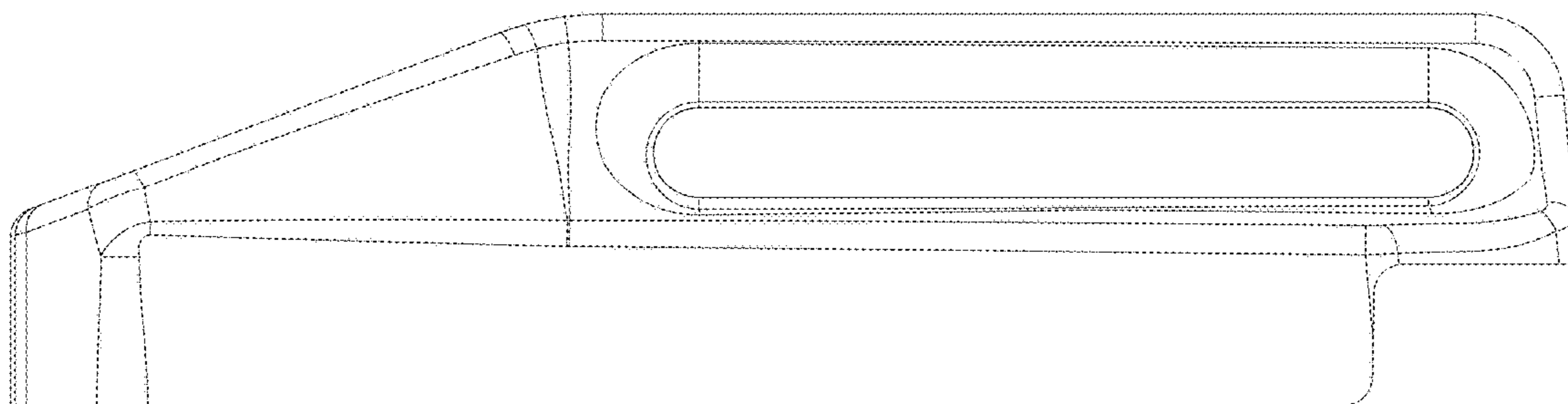


FIG. 6

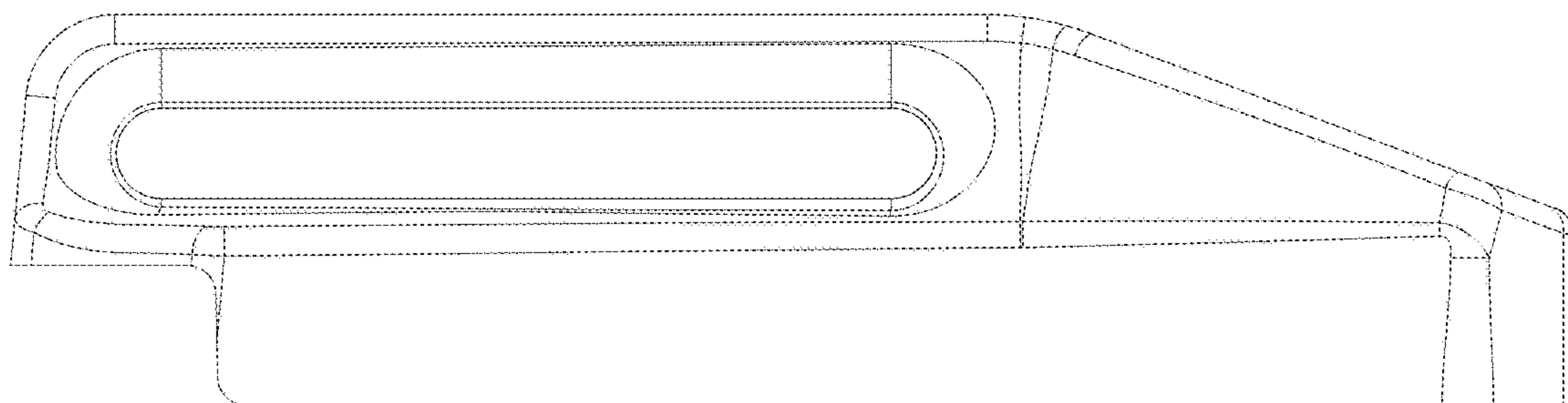


FIG. 7

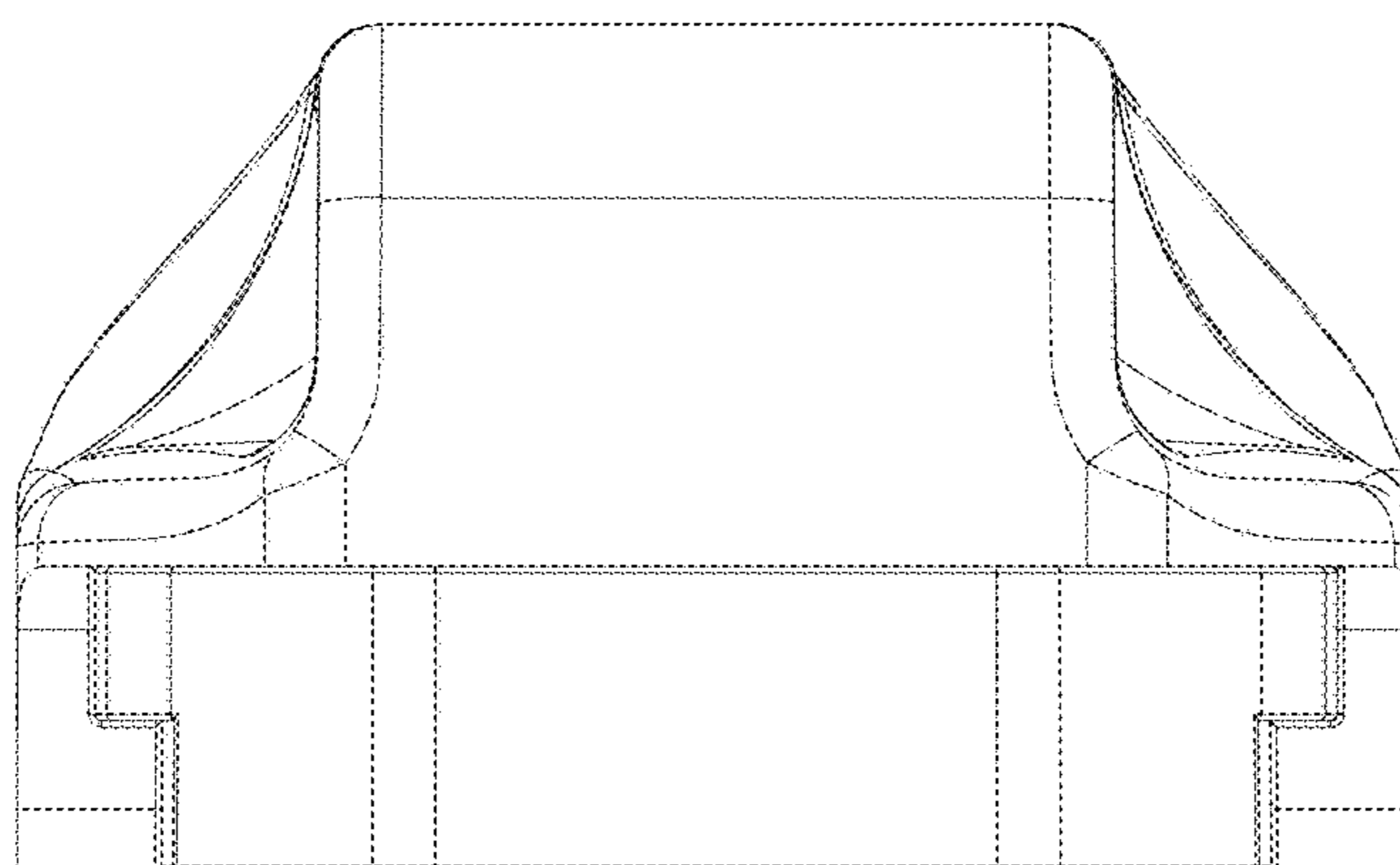


FIG. 8

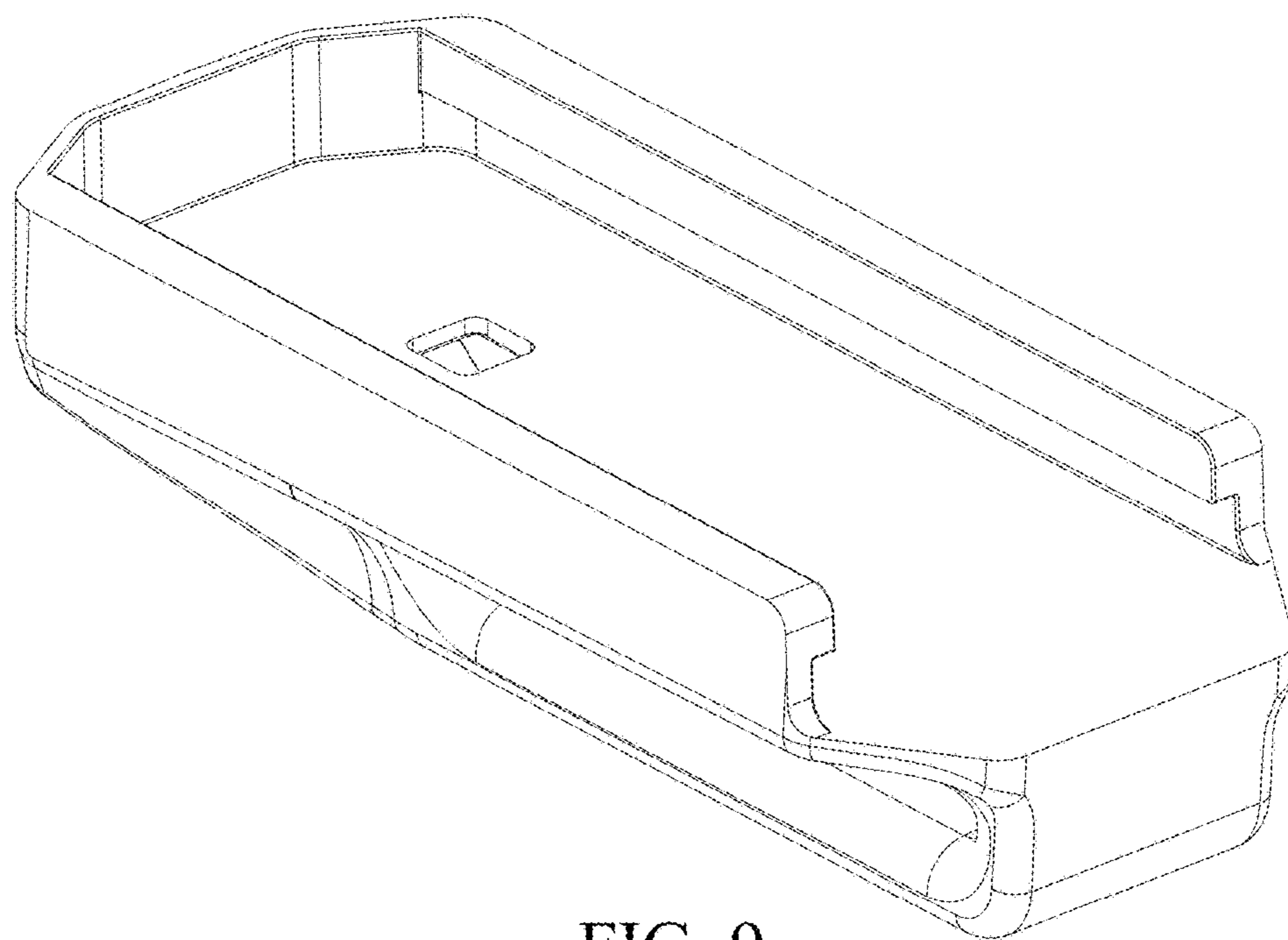


FIG. 9

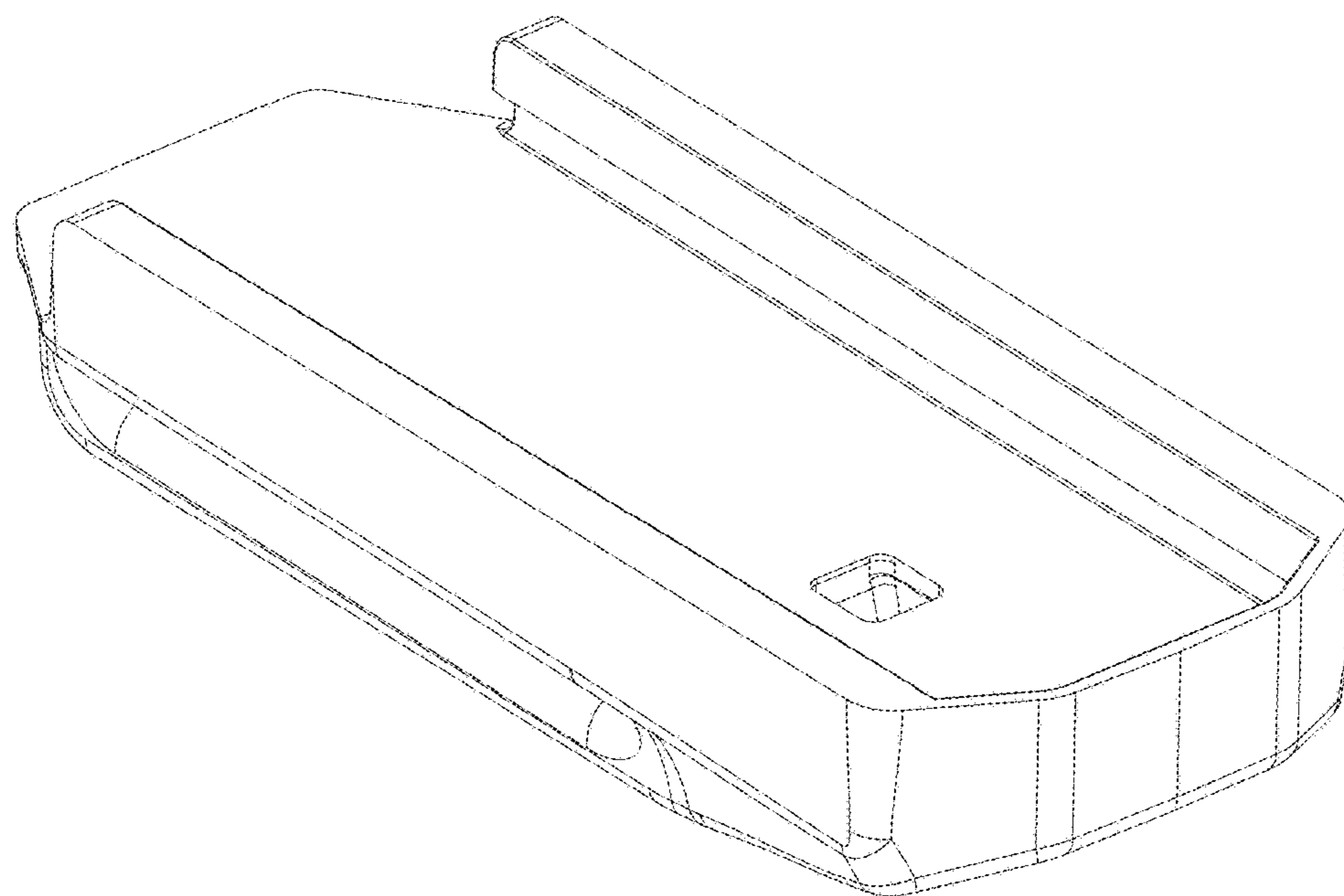


FIG. 10