



US00D792547S

(12) **United States Design Patent** (10) **Patent No.:** **US D792,547 S**
Fesas (45) **Date of Patent:** **** Jul. 18, 2017**

(54) **FIREARM HANDGUARD**

(71) Applicant: **Nelson A. Fesas**, Austin, TX (US)

(72) Inventor: **Nelson A. Fesas**, Austin, TX (US)

(**) Term: **15 Years**

(21) Appl. No.: **29/549,207**

(22) Filed: **Dec. 20, 2015**

(51) **LOC (10) Cl.** **22-01**

(52) **U.S. Cl.**
USPC **D22/108**

(58) **Field of Classification Search**
USPC D22/103, 108; D14/418; D21/572-575
CPC F41C 23/00; F41C 27/00; F41C 27/06;
F41C 23/10; F41C 23/14; F41C 23/16;
F41C 23/18; F41A 5/18; F41A 5/24;
F41A 21/28

See application file for complete search history.

(56) **References Cited**

U.S. PATENT DOCUMENTS

D630,698 S *	1/2011	Peterson	D22/103
D636,453 S *	4/2011	Fitzpatrick	D22/108
D757,203 S *	5/2016	Chow	D22/108
D757,204 S *	5/2016	Chow	D22/108
D757,878 S *	5/2016	Barfoot	D22/108
D757,879 S *	5/2016	Barfoot	D22/108

* cited by examiner

Primary Examiner — Michael A Pratt

(74) *Attorney, Agent, or Firm* — Gregory K. Goshorn;
Greg Goshorn, P.C.

(57) **CLAIM**

We claim the design for a firearm handguard, as shown and described in the following figures.

DESCRIPTION

FIG. 1 is a front view of a disclosed firearm handguard.
 FIG. 2 is a back view of the disclosed firearm handguard of FIG. 1.
 FIG. 3 is a view from the left of the disclosed firearm handguard of FIG. 1.
 FIG. 4 is a view from the right of the disclosed firearm handguard of FIG. 1.
 FIG. 5 is a view of the top of the disclosed firearm handguard of FIG. 1.
 FIG. 6 is a view of the bottom of the disclosed firearm handguard of FIG. 1.
 FIG. 7 is an oblique view from the top back left of the disclosed firearm handguard of FIG. 1.
 FIG. 8 is an oblique view from the top front right of the disclosed firearm handguard of FIG. 1.
 FIG. 9 is an oblique view from the bottom front left of the disclosed firearm handguard of FIG. 1; and,
 FIG. 10 is an oblique top right view of an AK47 firearm with the disclosed firearm handguard of FIG. 1 installed. The AK47 firearm is not part of the disclosed design.
 Broken lines are for the sole purpose of illustrating the environment of the article only and form no part of the claimed design. The Drawings are not necessarily to scale.

1 Claim, 10 Drawing Sheets

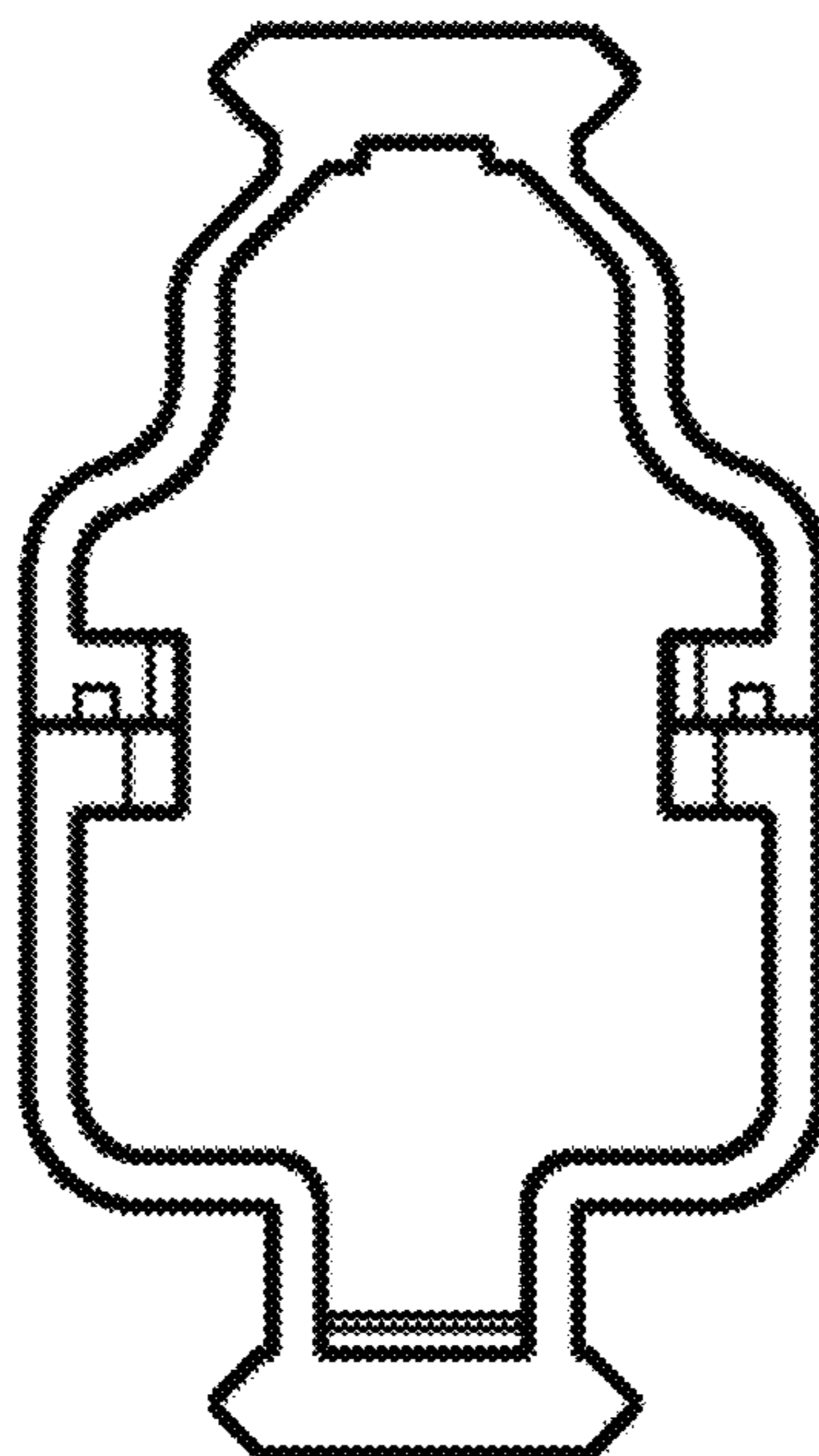


Figure 1

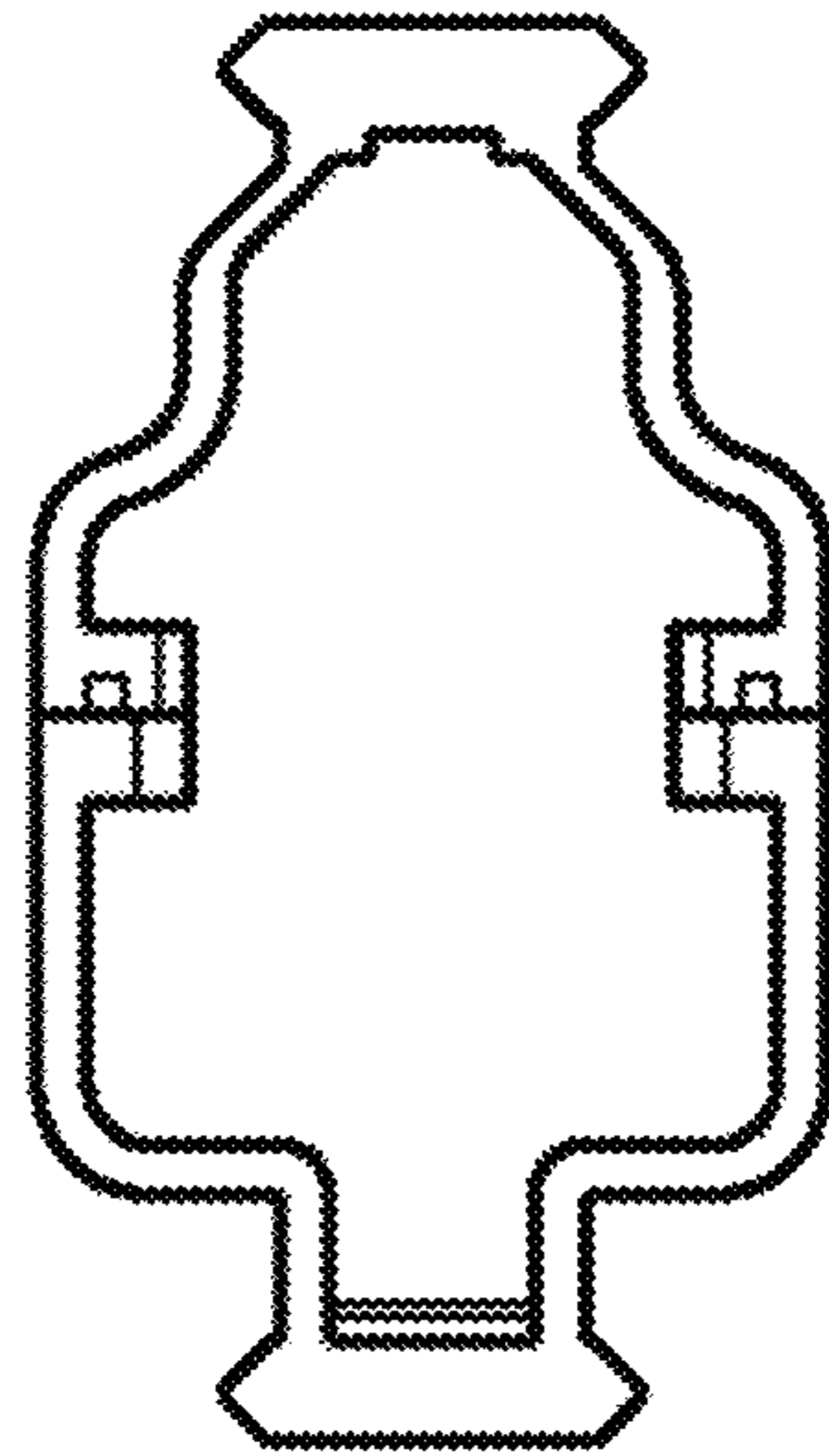


Figure 2

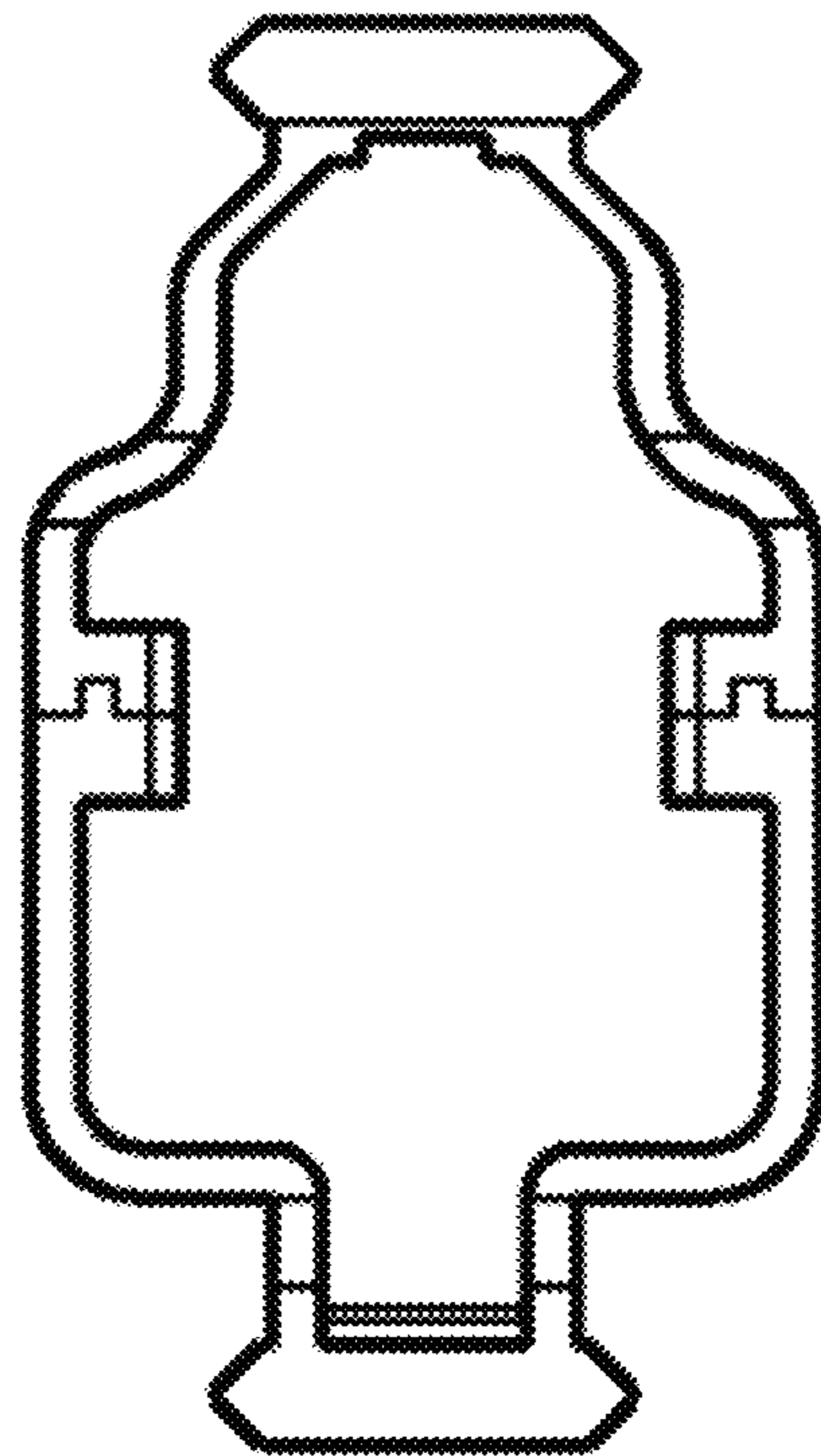
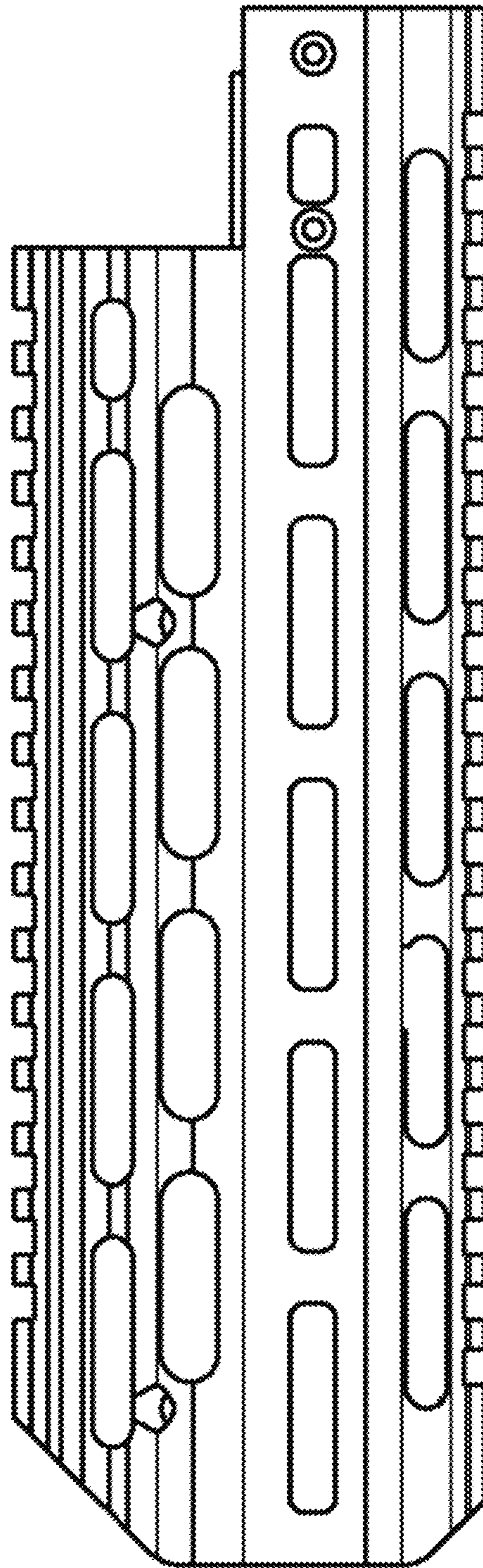


Figure 3



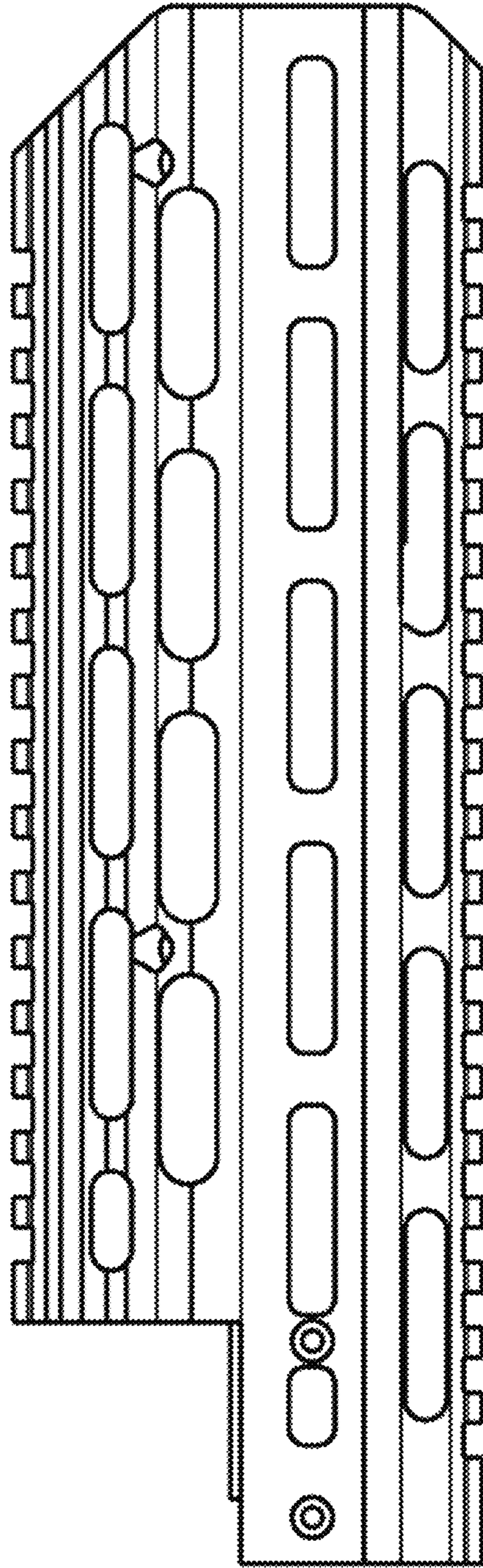


Figure 4

Figure 5

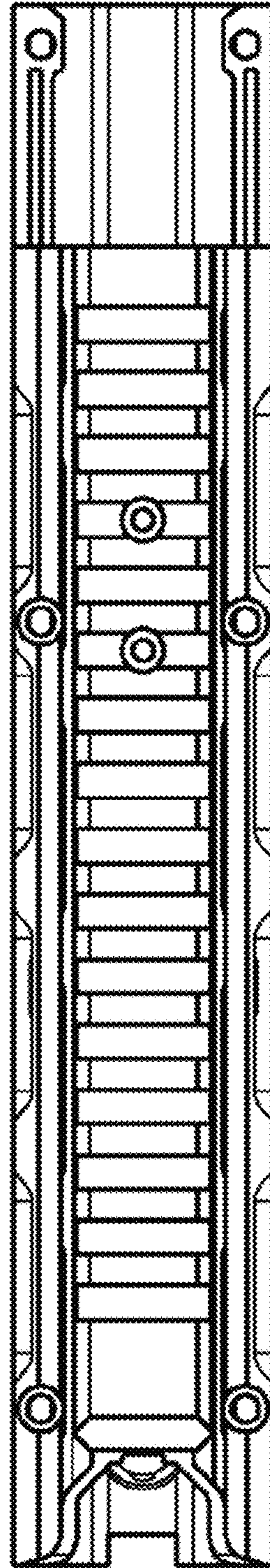
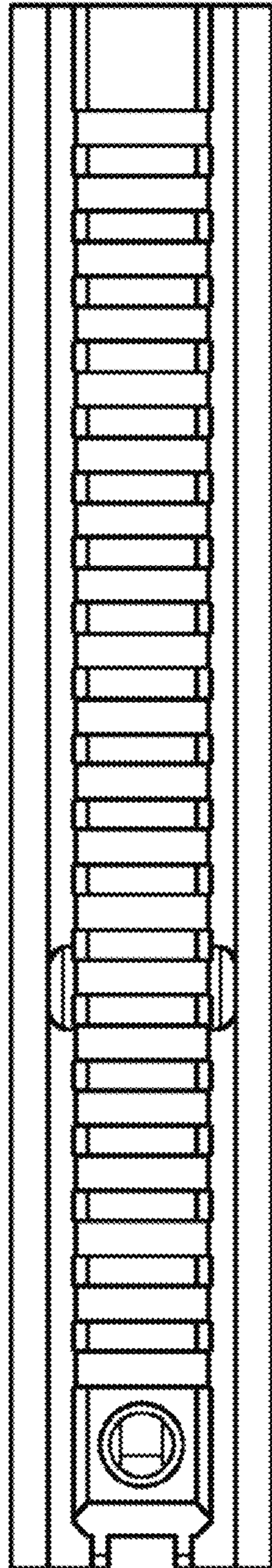


Figure 6



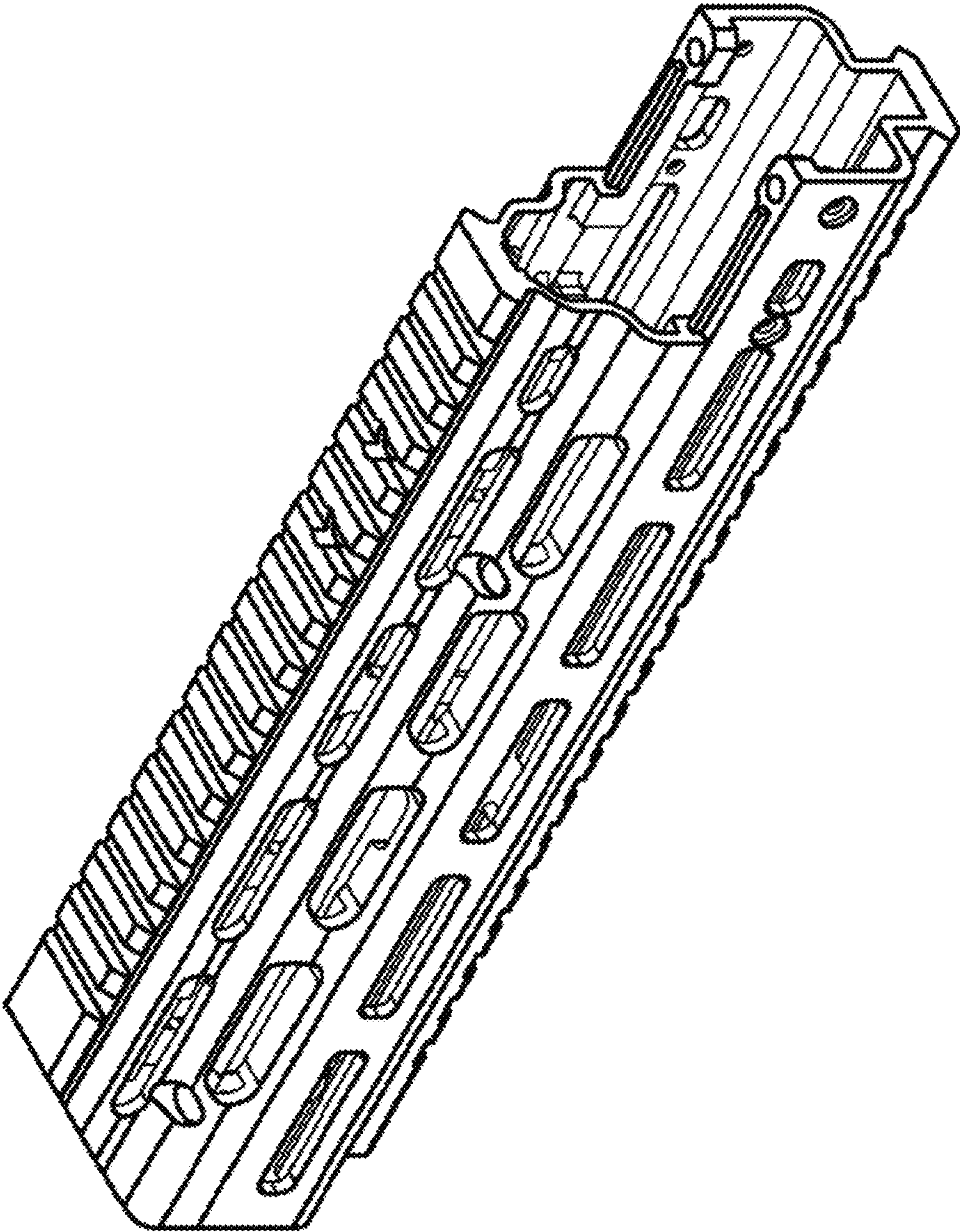


Figure 7

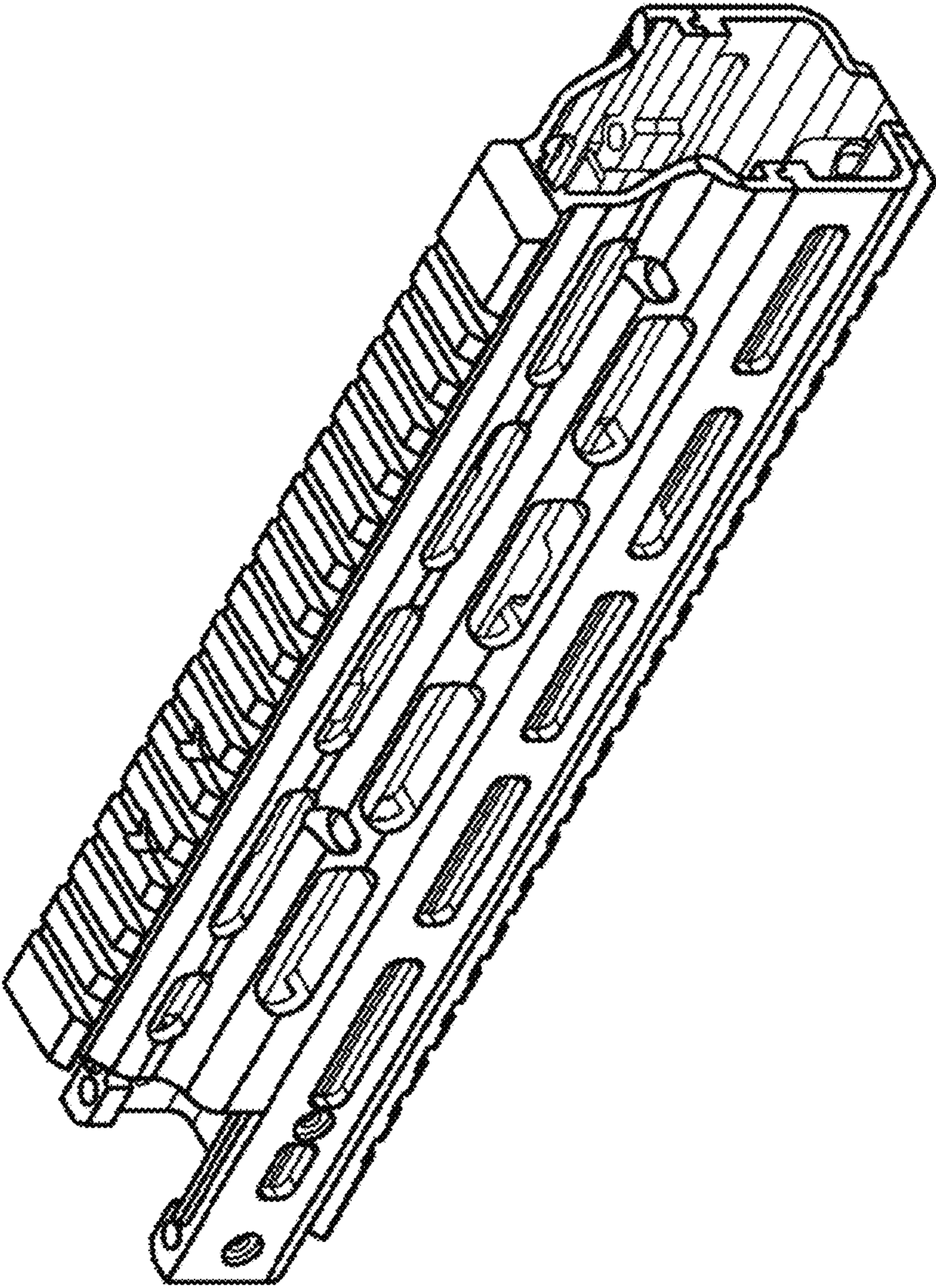


Figure 8

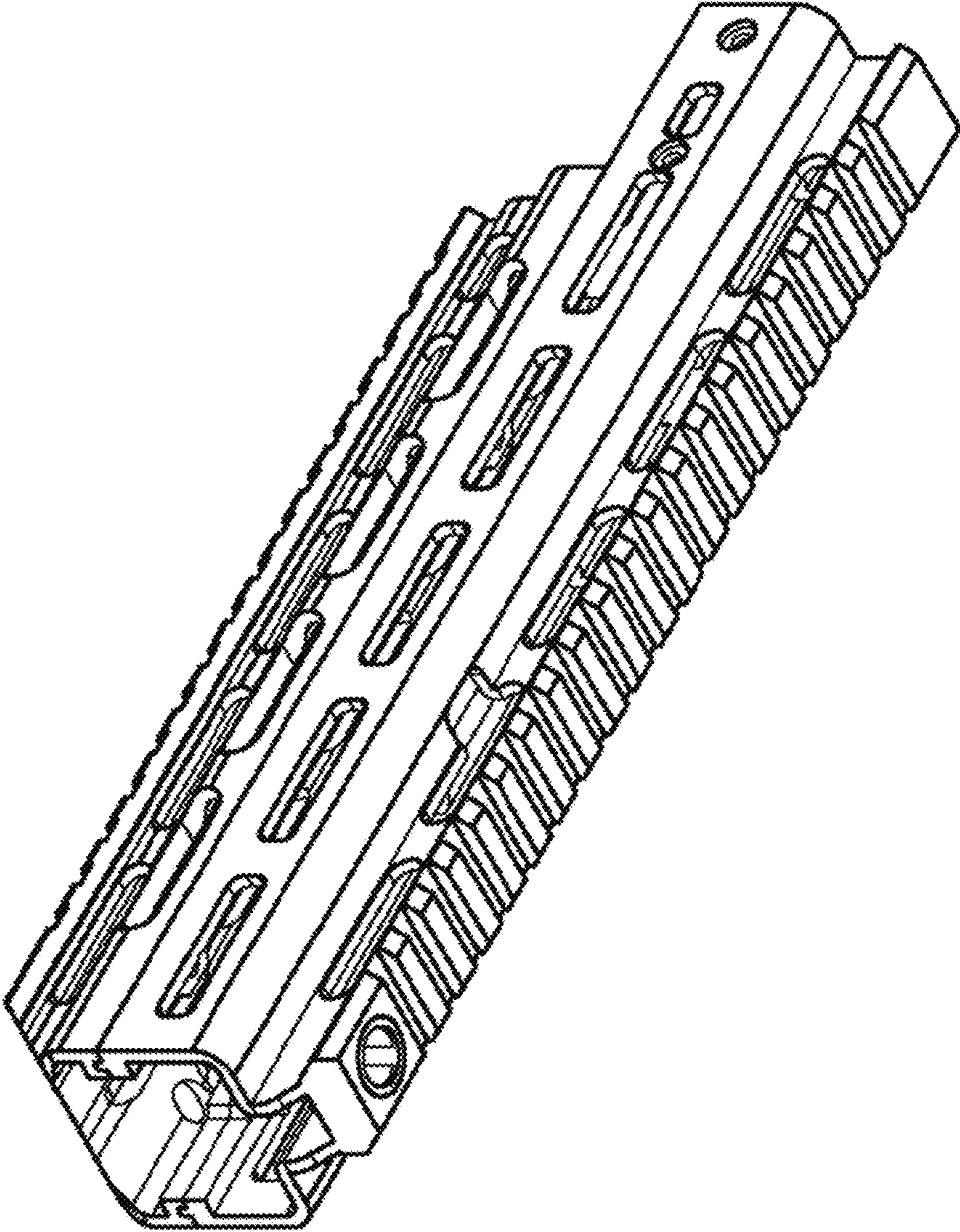


Figure 9

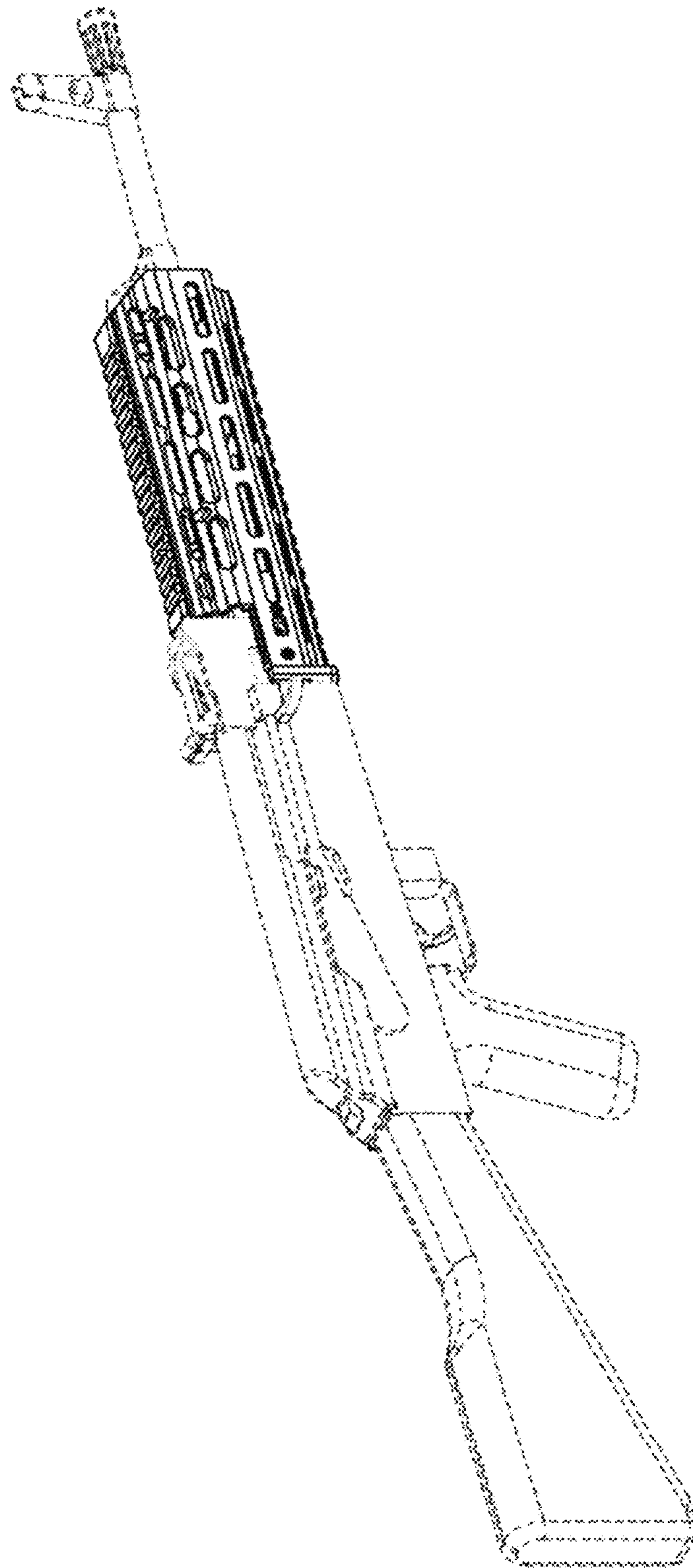


Figure 10