



US00D792544S

(12) **United States Design Patent**
Hartley

(10) **Patent No.:** **US D792,544 S**

(45) **Date of Patent:** **** Jul. 18, 2017**

(54) **LASER DEVICE FOR FIREARM**

- (71) Applicant: **Crimson Trace Corporation**,
Wilsonville, OR (US)
- (72) Inventor: **Scott C. Hartley**, Portland, OR (US)
- (73) Assignee: **Crimson Trace Corporation**,
Wilsonville, OR (US)
- (**) Term: **15 Years**

- (21) Appl. No.: **29/537,857**
- (22) Filed: **Aug. 28, 2015**
- (51) **LOC (10) Cl.** **22-01**
- (52) **U.S. Cl.**
USPC **D22/108**
- (58) **Field of Classification Search**
USPC D22/108, 109, 110, 199
CPC . F41G 1/35; F41G 11/003; F41G 1/00; F41G
1/36; F41G 1/34; F41G 3/26
See application file for complete search history.

(56) **References Cited**

U.S. PATENT DOCUMENTS

D603,478 S	*	11/2009	Hughes	D22/110
D669,553 S	*	10/2012	Hughes	D22/109
D669,959 S	*	10/2012	Johnston	D22/108
D687,120 S	*	7/2013	Hughes	D22/109
D692,518 S	*	10/2013	Anderson	D22/108
D693,898 S	*	11/2013	Essig	D22/108
D694,847 S	*	12/2013	Anderson	D22/108
D694,848 S	*	12/2013	Anderson	D22/109
D696,376 S	*	12/2013	Anderson	D22/109
D738,456 S	*	9/2015	Hughes	D22/109
D738,457 S	*	9/2015	Johnston	D22/109
D763,400 S	*	8/2016	Johnston	D22/109
2012/0124885 A1	*	5/2012	Caulk	F41G 1/35 42/146

OTHER PUBLICATIONS

Crimson Trace, LG-469 Laserguard for Springfield Armory XD-S, Wayback Machine Internet Archive publication date Aug. 19, 2014, [site visited Nov. 3, 2016], Available on the Internet URL:<<http://web.archive.org/web/20140819081915/http://www.crimsontrace.com/products/manufacture/springfield-armory/01-3760>>.*
 Haus of Guns—YouTube, Crimson Trace LG-443 Glock 42 LAserguard, Dec. 17, 2014, [site visited Nov. 3, 2016], Available on the Internet URL:<<https://www.youtube.com/watch?v=MlhFTJLuuNY>>.*

* cited by examiner

Primary Examiner — Susan Bennett Hattan

Assistant Examiner — S. Bryan Reinholdt, Jr.

(74) *Attorney, Agent, or Firm* — Schwabe, Williamson & Wyatt P.C.

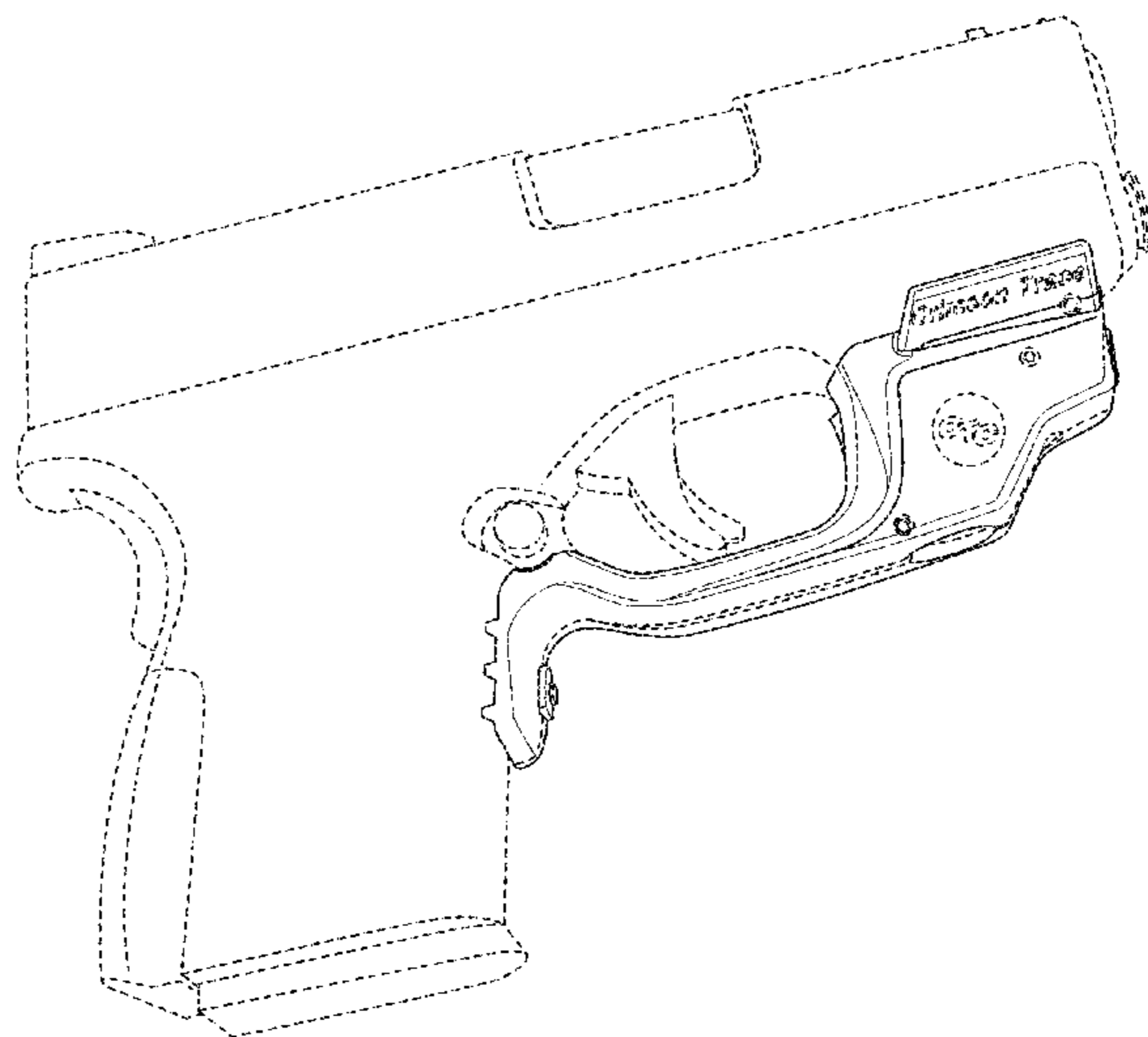
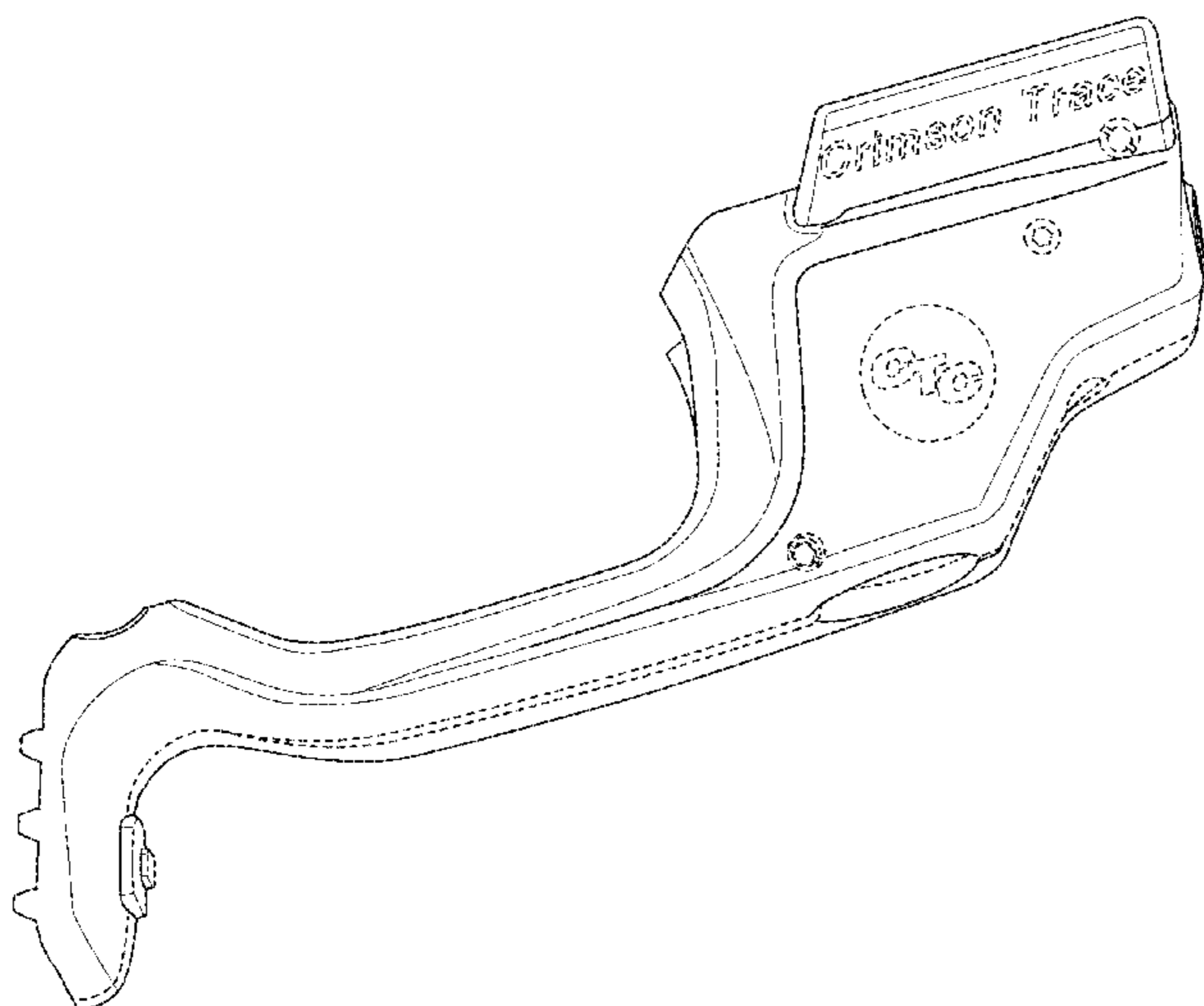
(57) **CLAIM**

We claim an ornamental design for a laser device for firearm, as shown and described.

DESCRIPTION

FIG. 1 is a perspective view of a laser device for firearm, showing our new design;
 FIG. 2 is a front view thereof;
 FIG. 3 is a rear view thereof;
 FIG. 4 is a right side view thereof;
 FIG. 5 is a left side view thereof;
 FIG. 6 is a top view thereof;
 FIG. 7 is a bottom view thereof; and,
 FIG. 8 is a perspective view of the laser device for firearm, shown mounted on a firearm.
 The broken lines are included for illustrating interior portions of the laser device that form no part of the claimed design. The broken lines in FIG. 8 depict a handgun and form no part of the claim.

1 Claim, 7 Drawing Sheets



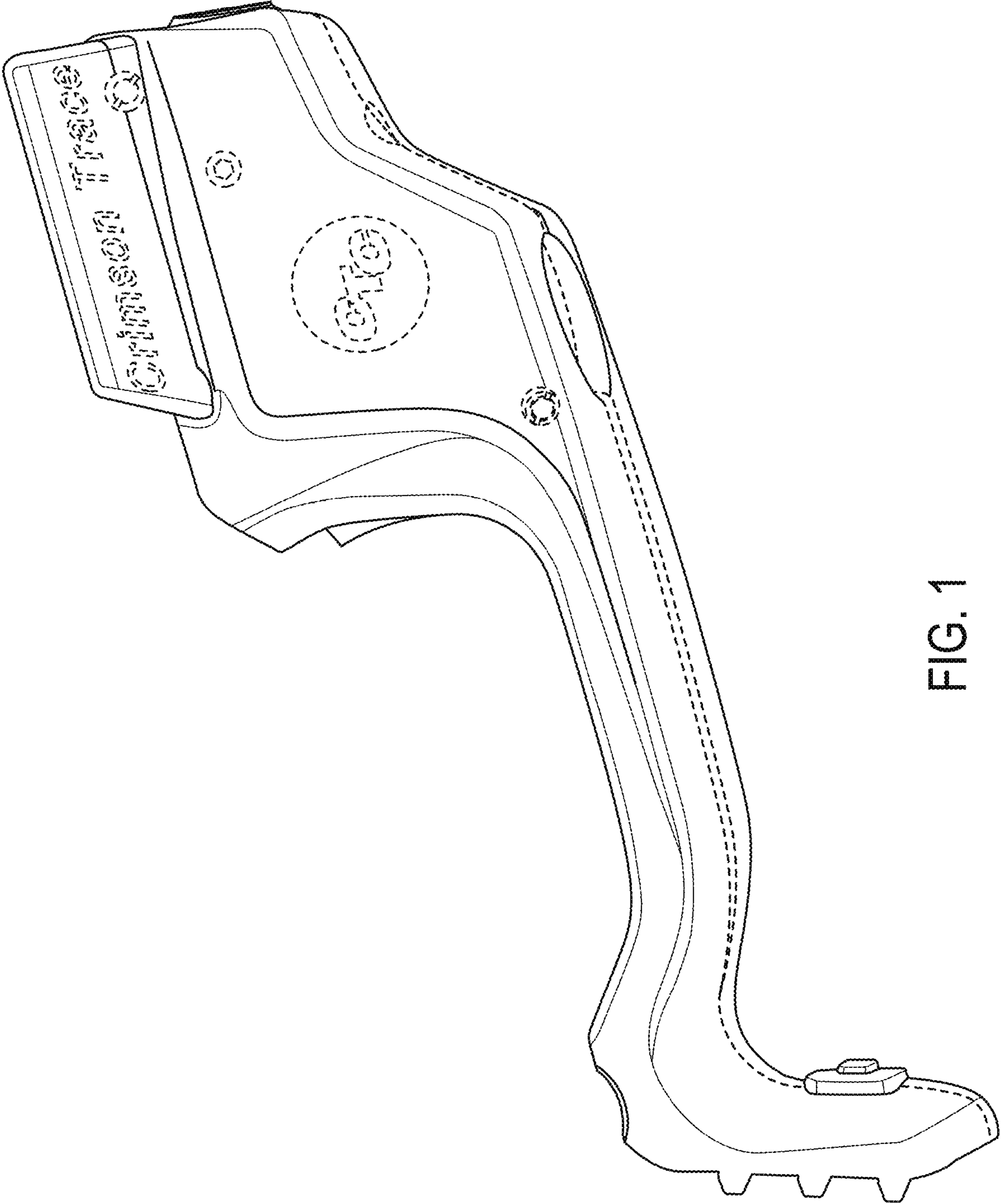


FIG. 1

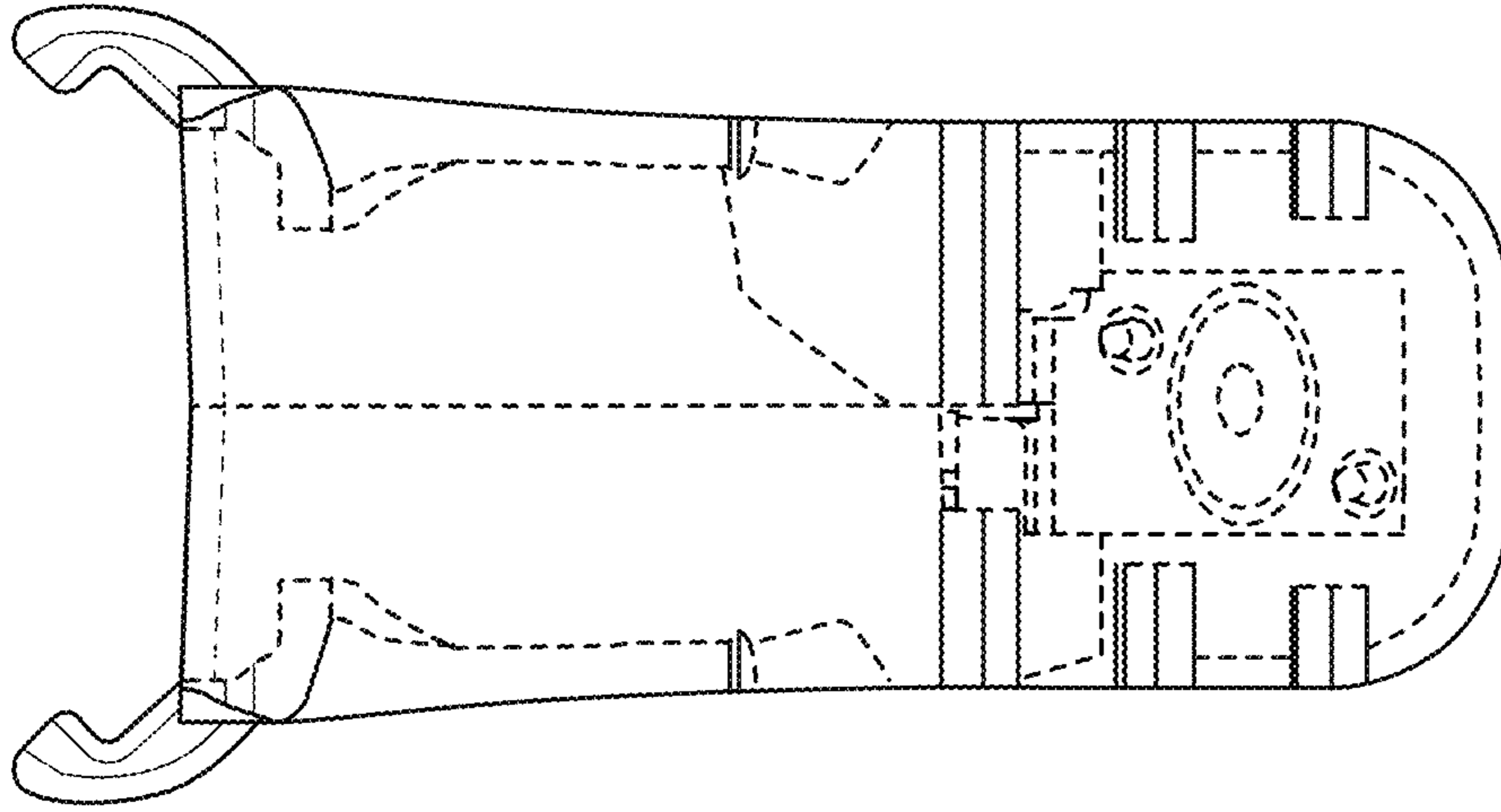


FIG. 2

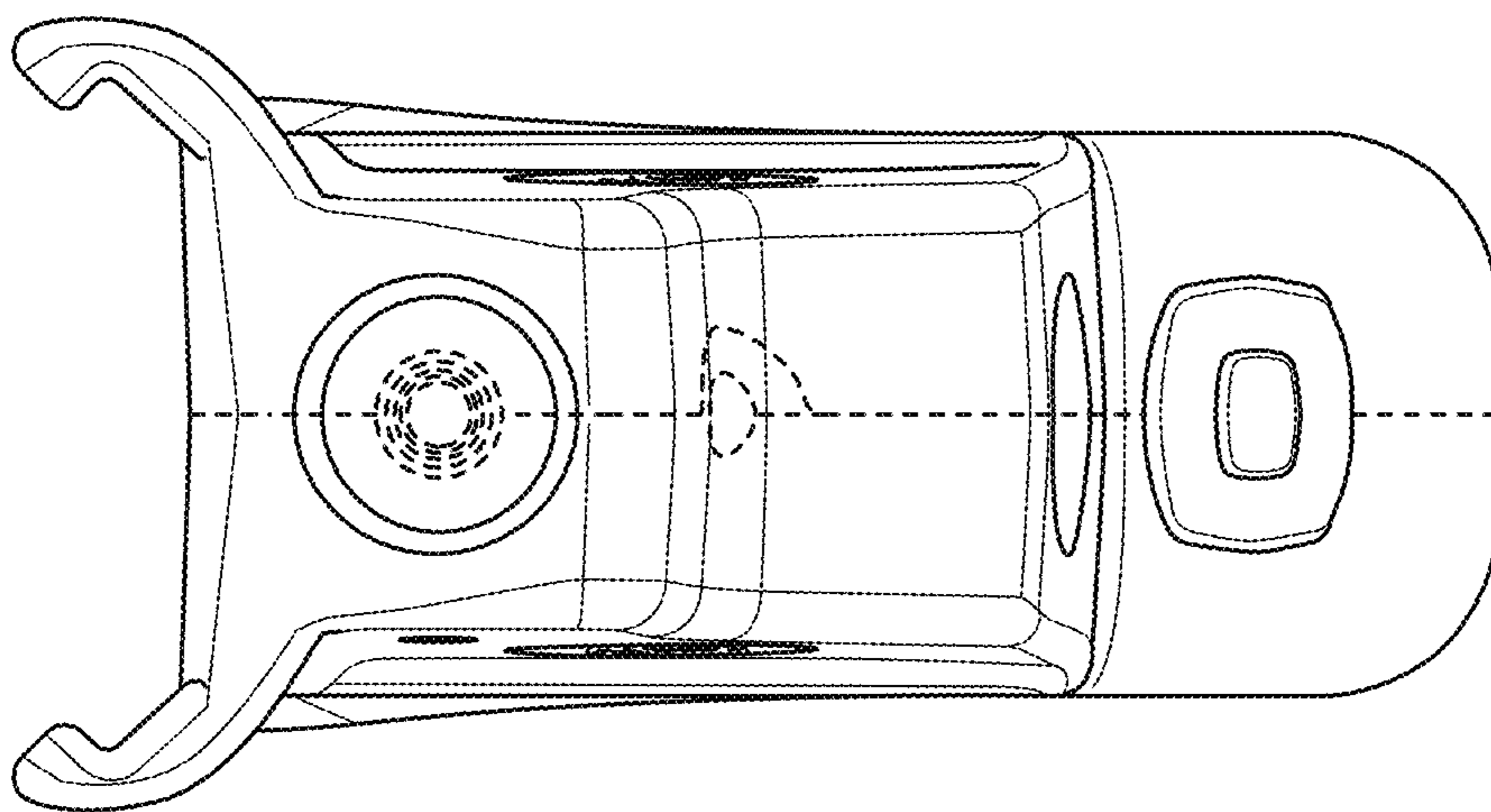


FIG. 3

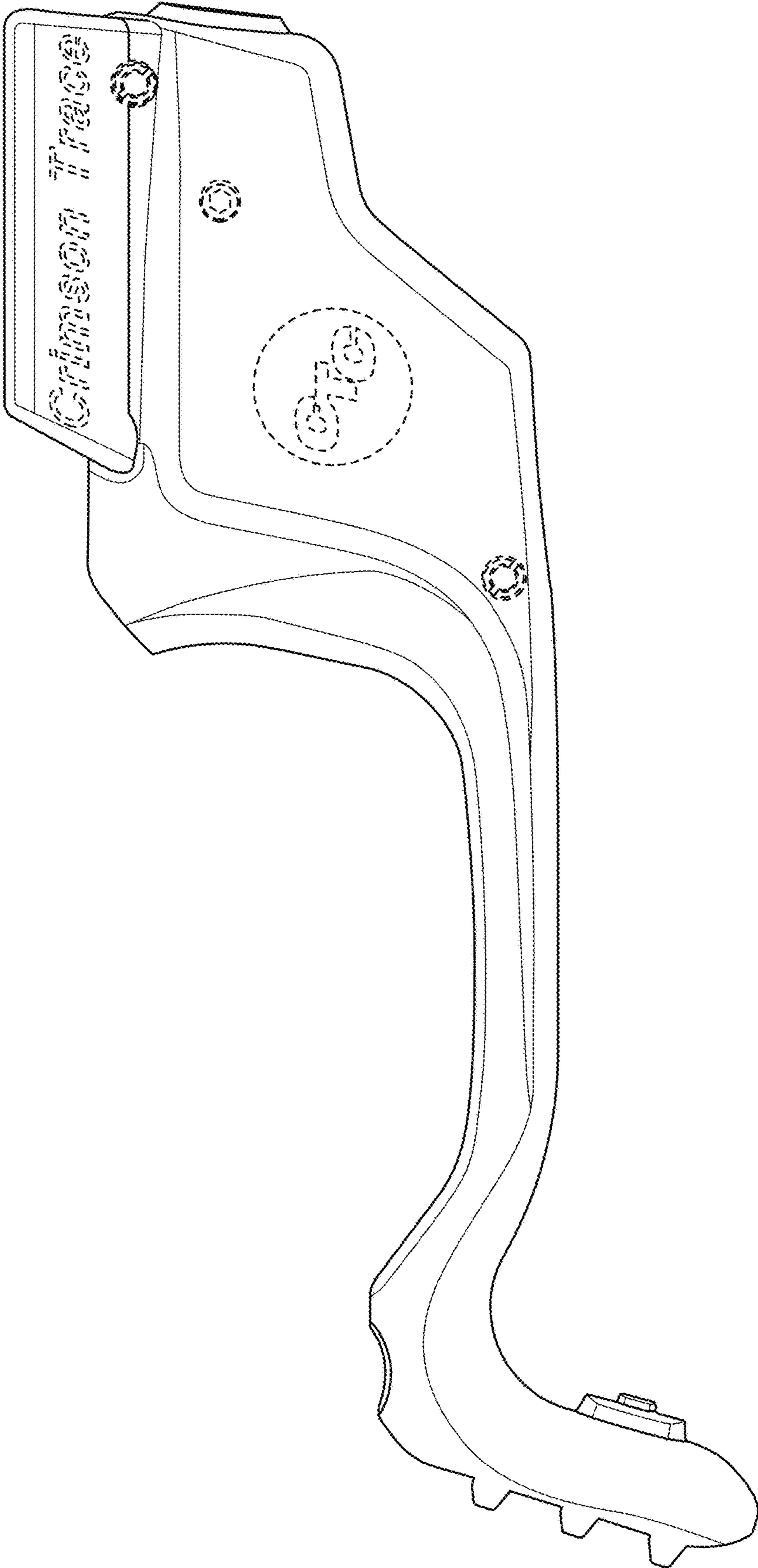


FIG. 4

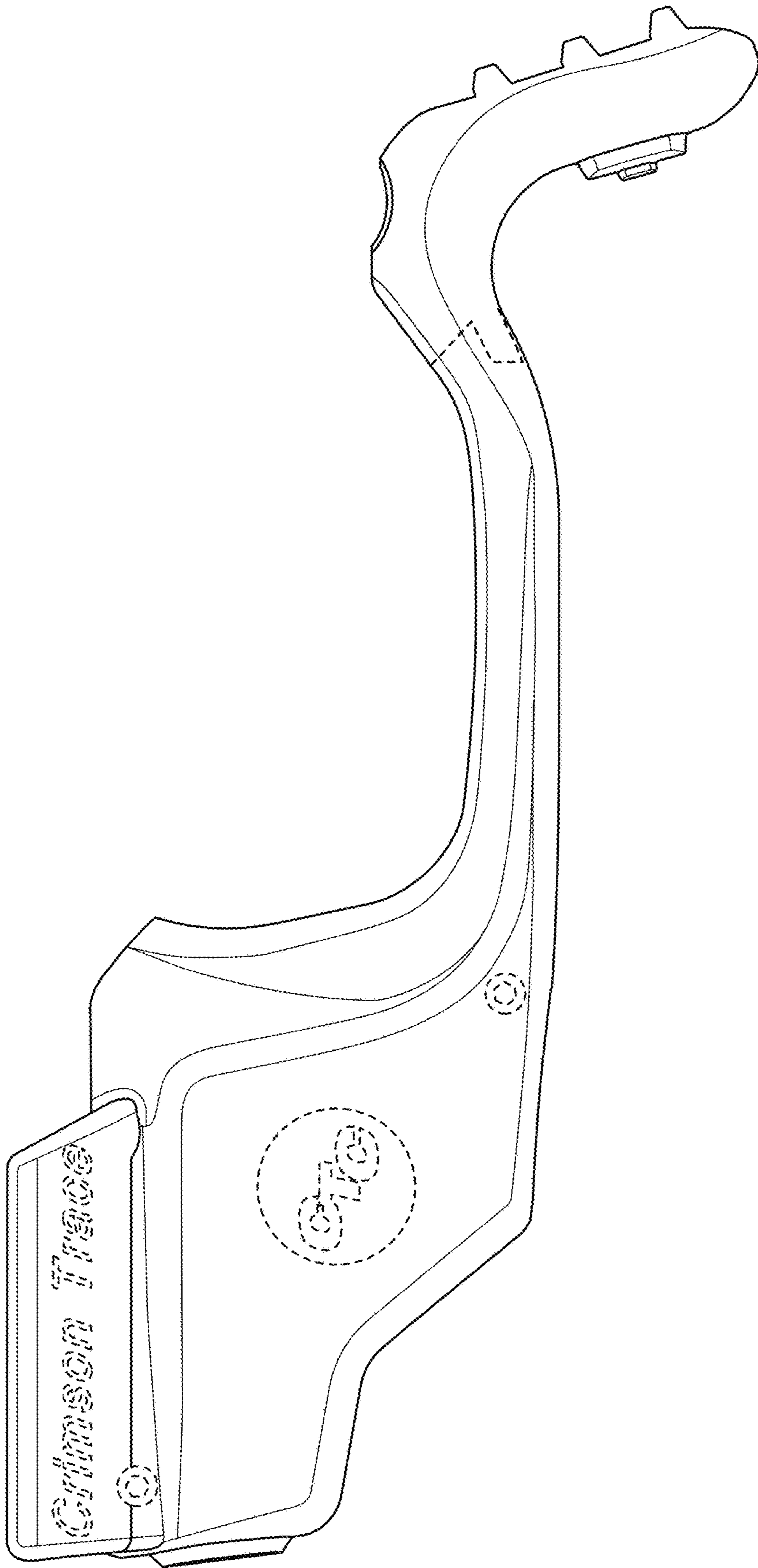


FIG. 5

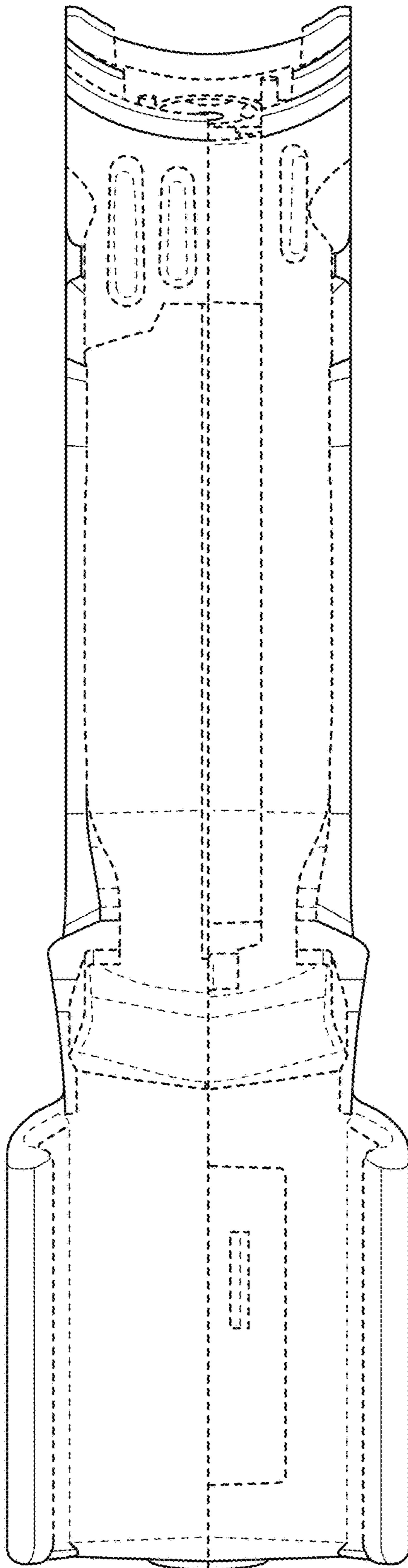


FIG. 6

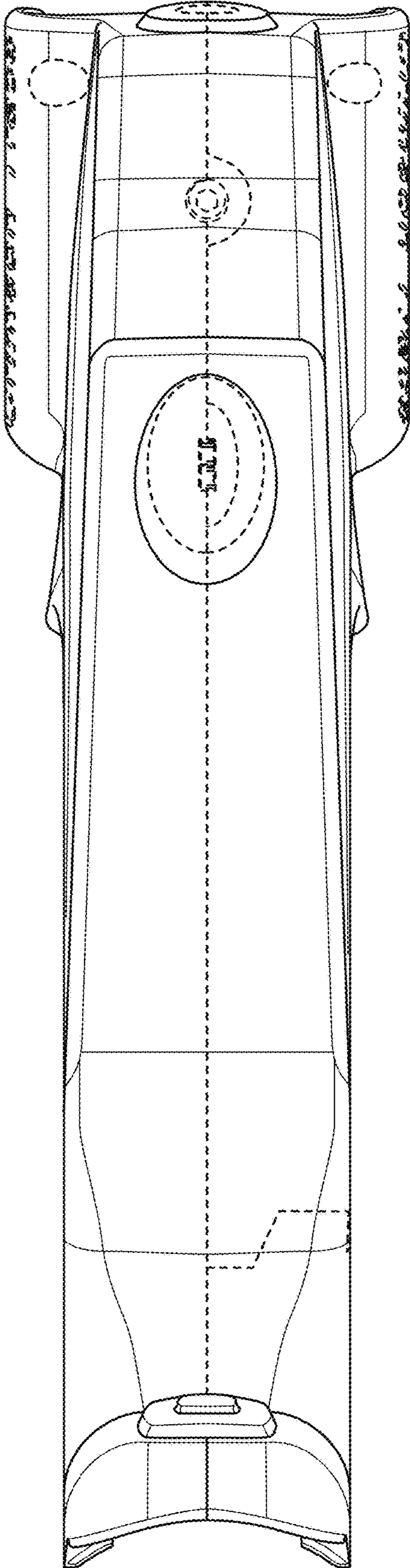


FIG. 7

