



US00D792543S

(12) **United States Design Patent**
Lakatos et al.

(10) **Patent No.:** **US D792,543 S**
(45) **Date of Patent:** **** Jul. 18, 2017**

- (54) **HANDGUN**
- (71) Applicant: **Triple Action LLC**, Logan, UT (US)
- (72) Inventors: **Janos I Lakatos**, North Logan, UT (US); **Clay Edward Slade**, North Logan, UT (US); **Clayton R. Carter**, North Logan, UT (US)
- (73) Assignee: **Triple Action, LLC**, Logan, UT (US)
- (**) Term: **15 Years**
- (21) Appl. No.: **29/544,048**
- (22) Filed: **Oct. 30, 2015**
- (51) **LOC (10) Cl.** **22-01**
- (52) **U.S. Cl.**
USPC **D22/104**
- (58) **Field of Classification Search**
USPC D22/104, 108; D21/571-575
CPC F41C 3/14; F41C 3/16; F41C 3/04
See application file for complete search history.

D593,623 S *	6/2009	Halmone	D21/574
D636,031 S *	4/2011	Torre	D21/573
D660,922 S *	5/2012	Mead	D21/573
D661,356 S *	6/2012	Kleinkopf	D21/574
D742,985 S *	11/2015	Hudson, III	D22/104

* cited by examiner

Primary Examiner — Michael A Pratt

(74) *Attorney, Agent, or Firm* — Preston P. Frischknecht; Project CIP

(57) **CLAIM**

The ornamental design for a handgun, as shown.

DESCRIPTION

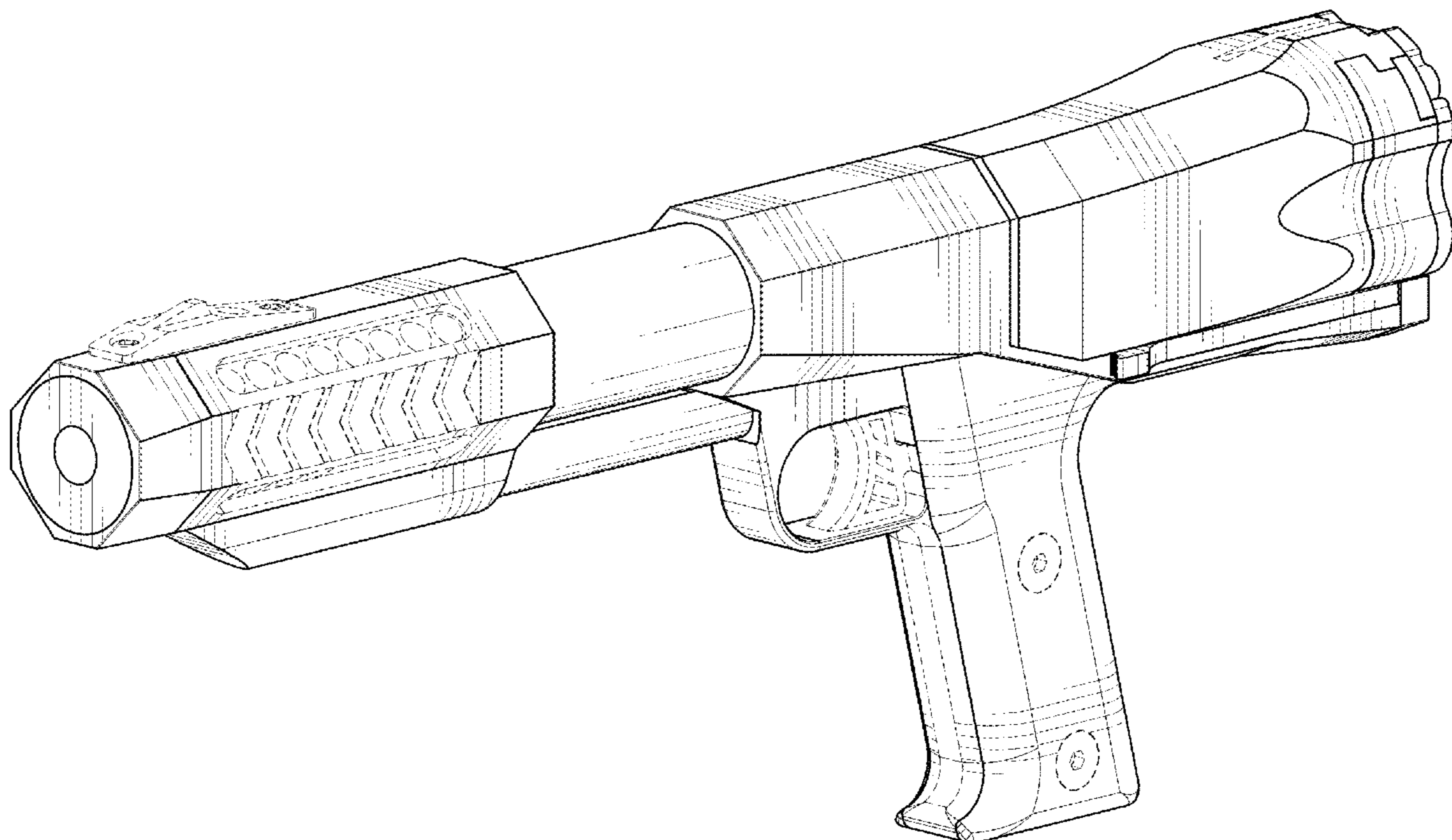
FIG. 1 is an isometric view showing the design;
 FIG. 2 is a left view showing the design;
 FIG. 3 is a right view showing the design;
 FIG. 4 is a front view showing the design;
 FIG. 5 is a back view showing the design;
 FIG. 6 is a top view showing the design; and,
 FIG. 7 is a bottom view showing the design.
 The broken lines in the drawings illustrate portions of the handgun which form no part of the claimed design.

1 Claim, 5 Drawing Sheets

(56) **References Cited**

U.S. PATENT DOCUMENTS

D249,377 S *	9/1978	Takahashi	D21/454
D536,398 S *	2/2007	Broersma	D21/573



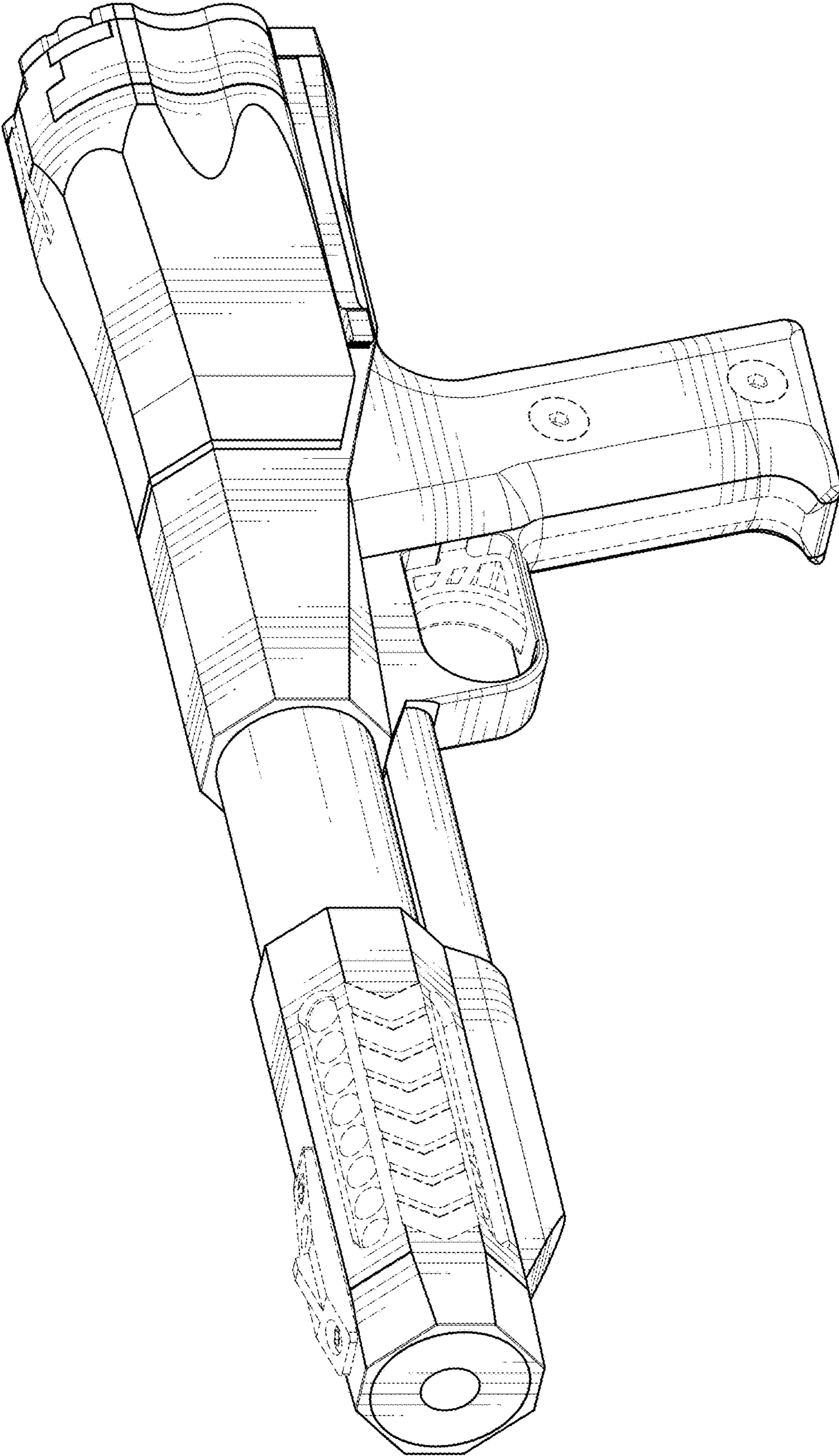


Fig. 1

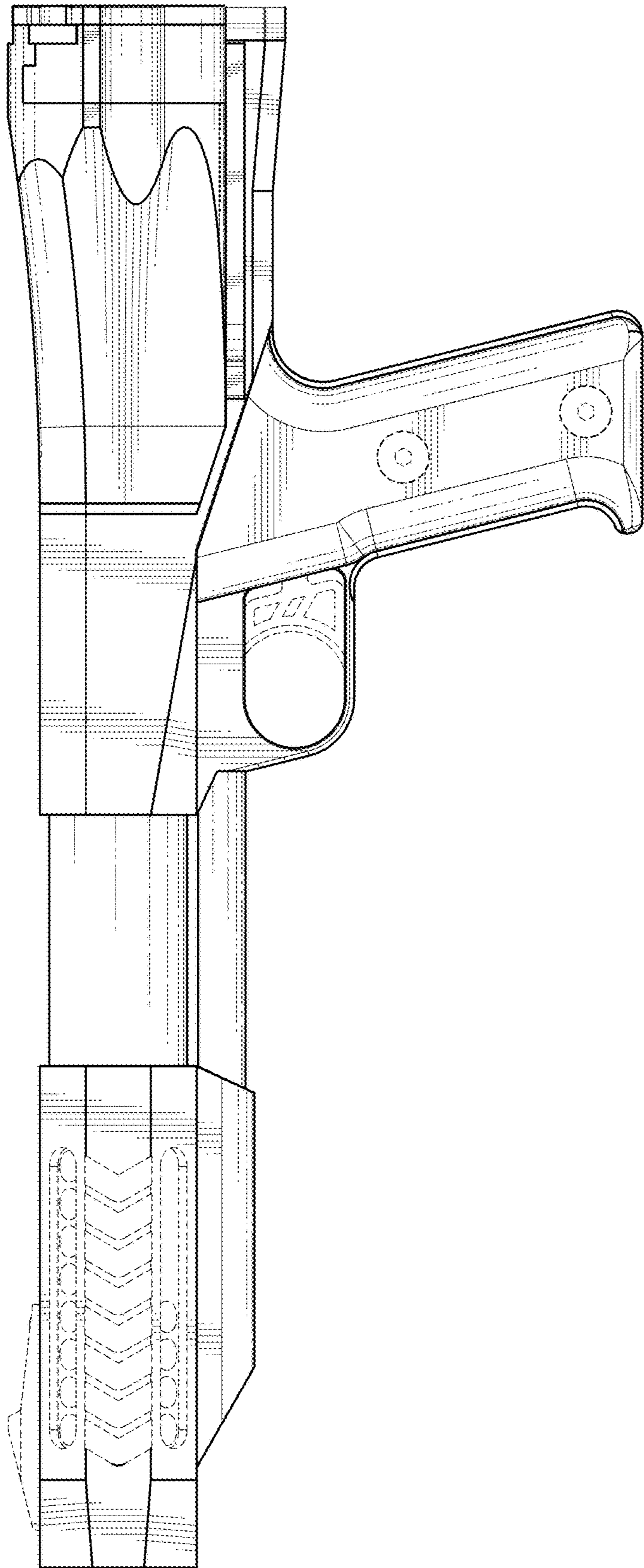


Fig. 2

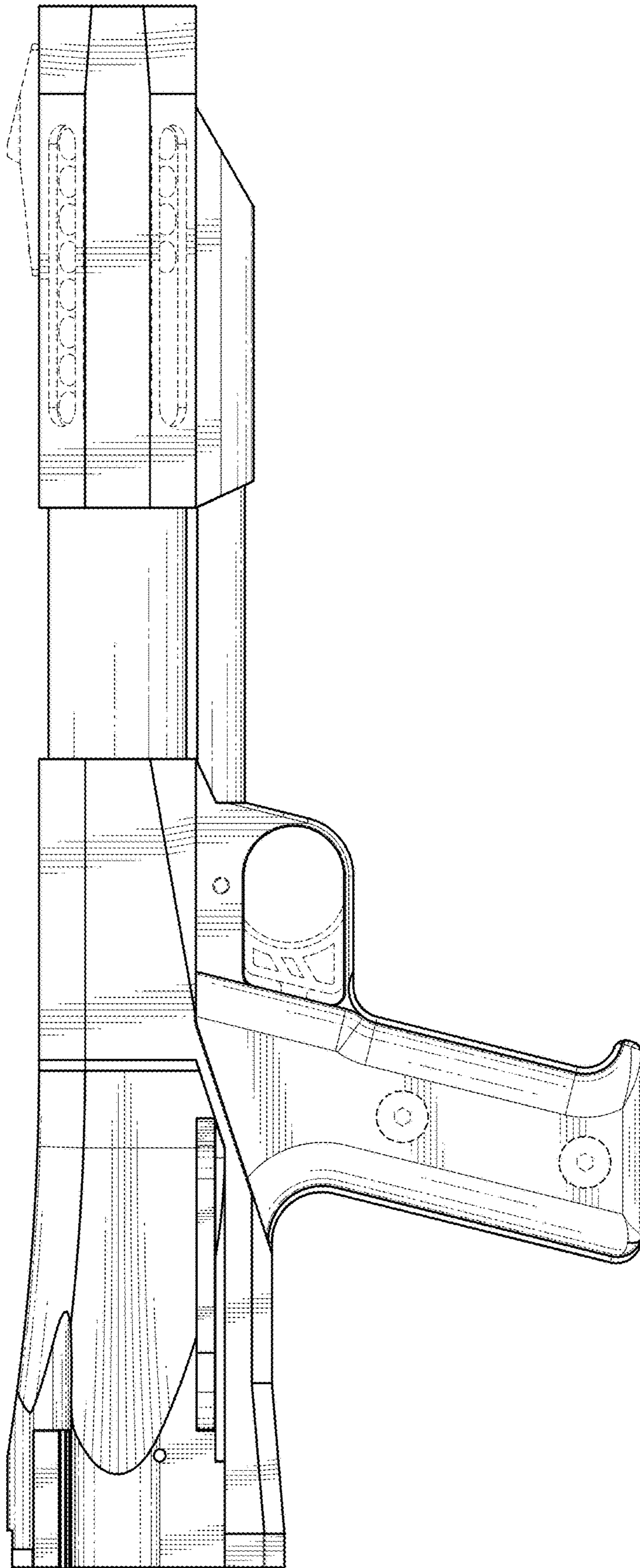


Fig. 3

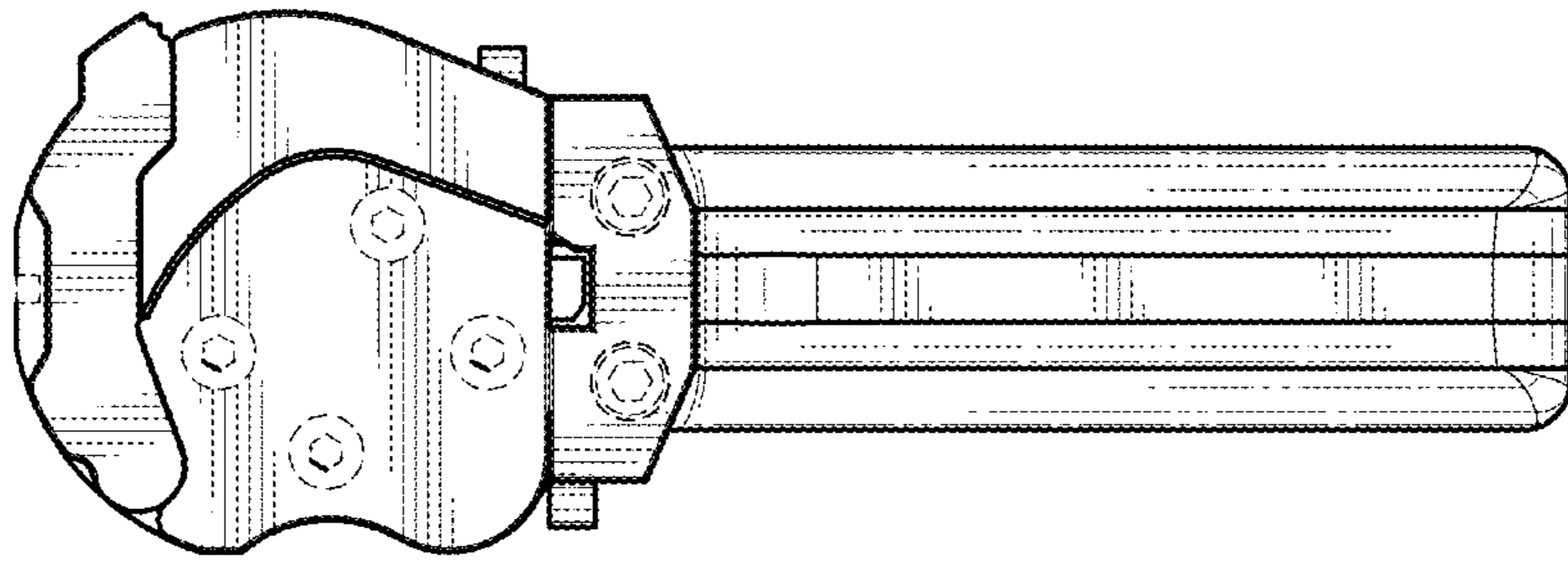


Fig. 5

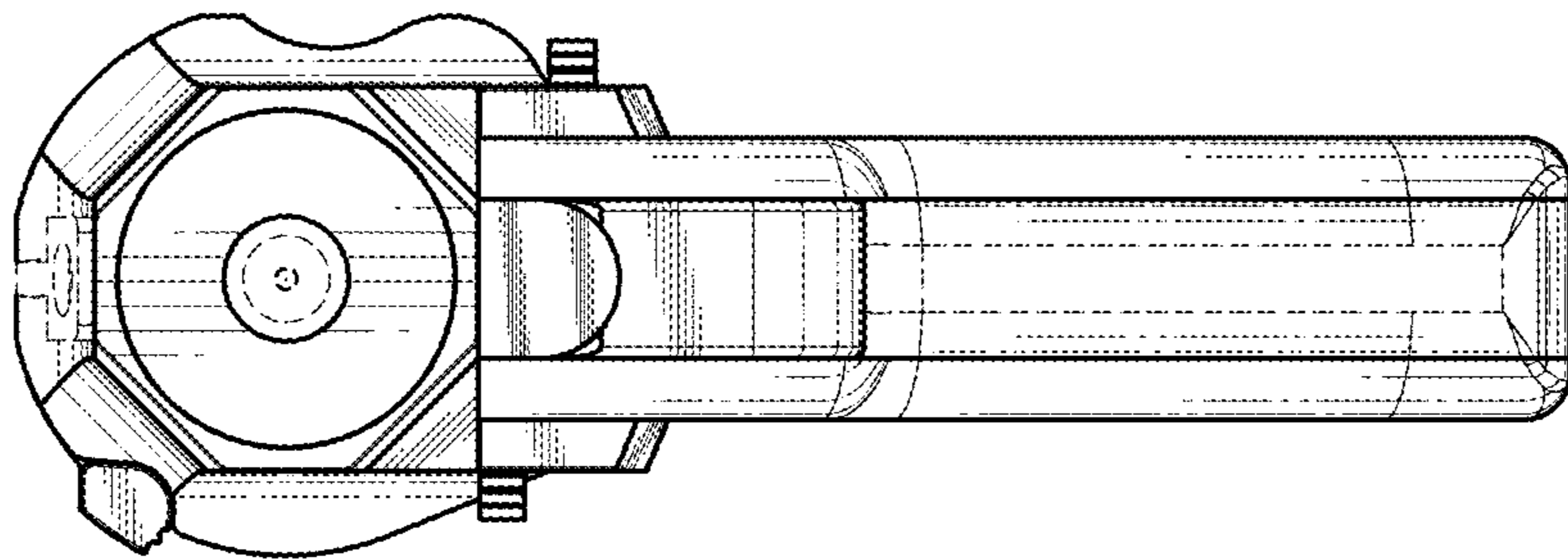


Fig. 4

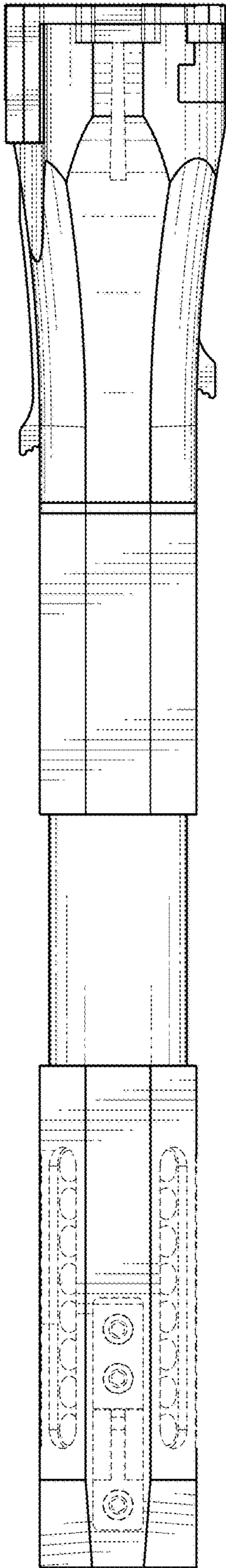


Fig. 6

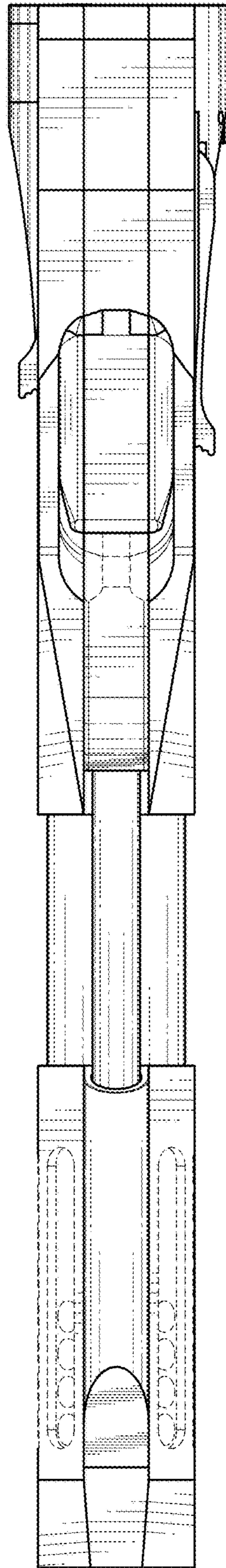


Fig. 7