



US00D792542S

(12) **United States Design Patent** (10) **Patent No.:** **US D792,542 S**  
**Villarreal et al.** (45) **Date of Patent:** **\*\* Jul. 18, 2017**

- (54) **SLIDE ATTACHMENT**
- (71) Applicant: **Magical Bridge Foundation**, Palo Alto, CA (US)
- (72) Inventors: **Olenka Steciw Villarreal**, Palo Alto, CA (US); **Peter Cassidy Jensen**, Santa Monica, CA (US)
- (73) Assignee: **Magical Bridge Foundation**, Palo Alto, CA (US)
- (\*\*) Term: **15 Years**
- (21) Appl. No.: **29/542,087**
- (22) Filed: **Oct. 9, 2015**
- (51) **LOC (10) Cl.** ..... **21-03**
- (52) **U.S. Cl.**  
USPC ..... **D21/818**
- (58) **Field of Classification Search**  
USPC ..... D21/811, 814, 818-822  
CPC ..... A63B 2208/12; A63G 21/00-21/22  
See application file for complete search history.

- D371,414 S 7/1996 King
- D382,619 S \* 8/1997 Peterson ..... D21/818
- D388,148 S 12/1997 Sutton et al.
- 6,569,023 B1 5/2003 Briggs
- 7,494,419 B2 \* 2/2009 Katz ..... A63G 21/00  
182/48
- 8,753,216 B2 6/2014 Hsieh
- D749,180 S \* 2/2016 Goldreyer ..... D21/819
- D752,154 S \* 3/2016 Wai Shing ..... D21/412
- 2012/0135813 A1 5/2012 Parkey et al.

- (56) **References Cited**
- U.S. PATENT DOCUMENTS
- 2,620,185 A \* 12/1952 Harding ..... A63B 9/00  
182/156
- 3,743,281 A 7/1973 Gimbel
- D260,276 S \* 8/1981 Gehlbach ..... D21/797
- 4,487,411 A 12/1984 Ahrens
- 4,606,431 A 8/1986 Ruder
- 4,813,663 A \* 3/1989 Rice ..... A63G 21/02  
182/48
- 4,865,312 A 9/1989 Katz
- 5,031,897 A 7/1991 Zalesak
- D327,937 S \* 7/1992 Douglass ..... D21/818
- 5,372,550 A 12/1994 Gleeson et al.
- 5,427,574 A 6/1995 Donnelly-Weide
- 5,505,663 A \* 4/1996 Goulart ..... A63G 21/00  
14/70

**OTHER PUBLICATIONS**

U.S. Appl. No. 14/757,991, filed Dec. 23, 2015, Villarreal et al.  
Notice of Allowance dated Jan. 17, 2017 for U.S. Appl. No. 14/757,991.  
Office Action dated Aug. 12, 2016 for U.S. Appl. No. 14/757,991.

\* cited by examiner

*Primary Examiner* — Mitchell Siegel  
(74) *Attorney, Agent, or Firm* — Wilson Sonsini Goodrich & Rosati

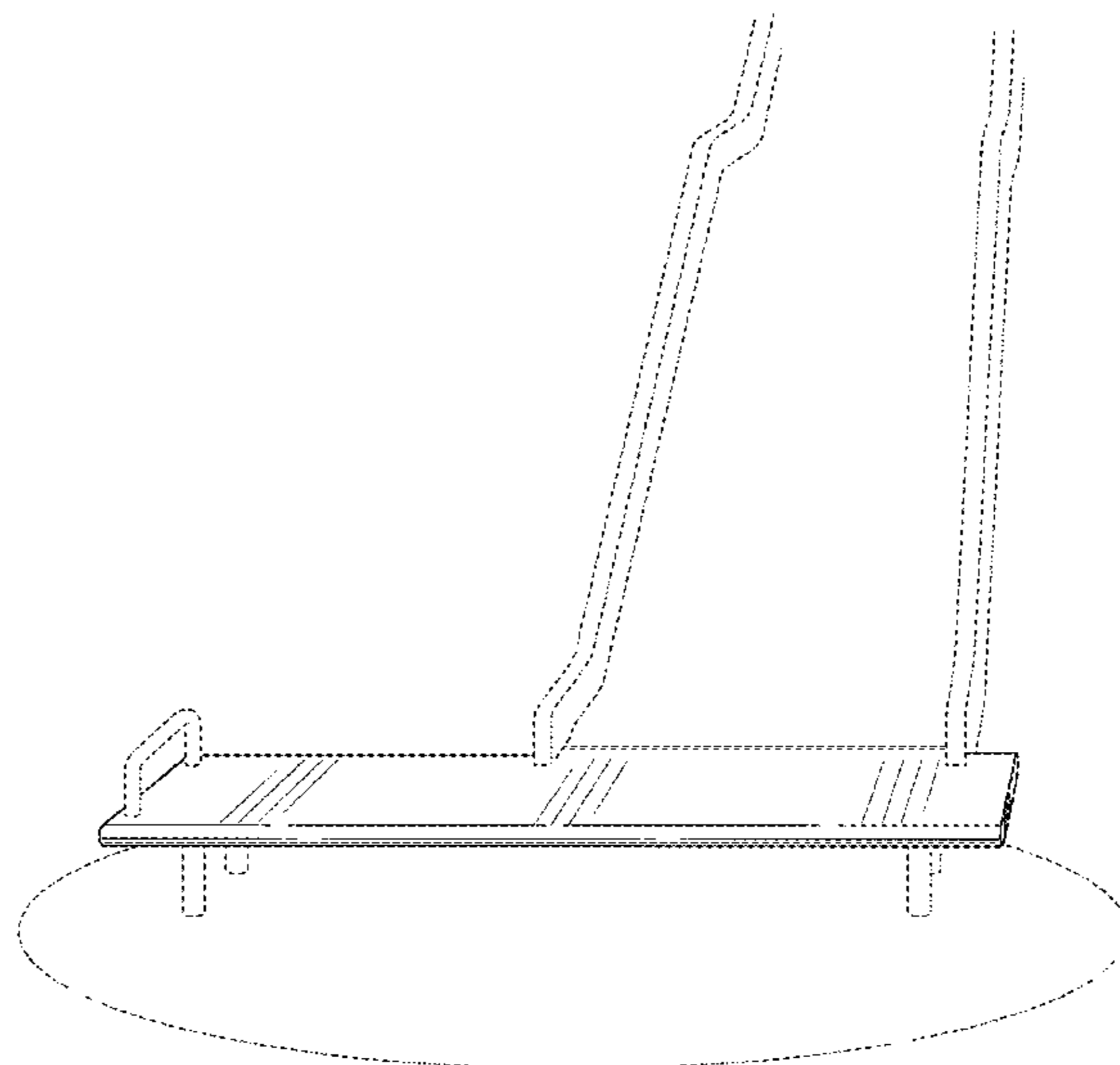
(57) **CLAIM**

The ornamental design for a slide attachment, as shown and described.

**DESCRIPTION**

FIG. 1 is a front and side perspective view of a slide attachment having our new design;  
FIG. 2 is a top plan view thereof;  
FIG. 3 is a bottom plan view thereof;  
FIG. 4 is a right elevational side view thereof;  
FIG. 5 is a left elevational side view thereof;  
FIG. 6 is a back elevational view thereof; and,  
FIG. 7 is a front elevational view thereof.  
The broken lines in the figures are for illustrative purposes only and form no part of the claimed design.

**1 Claim, 4 Drawing Sheets**



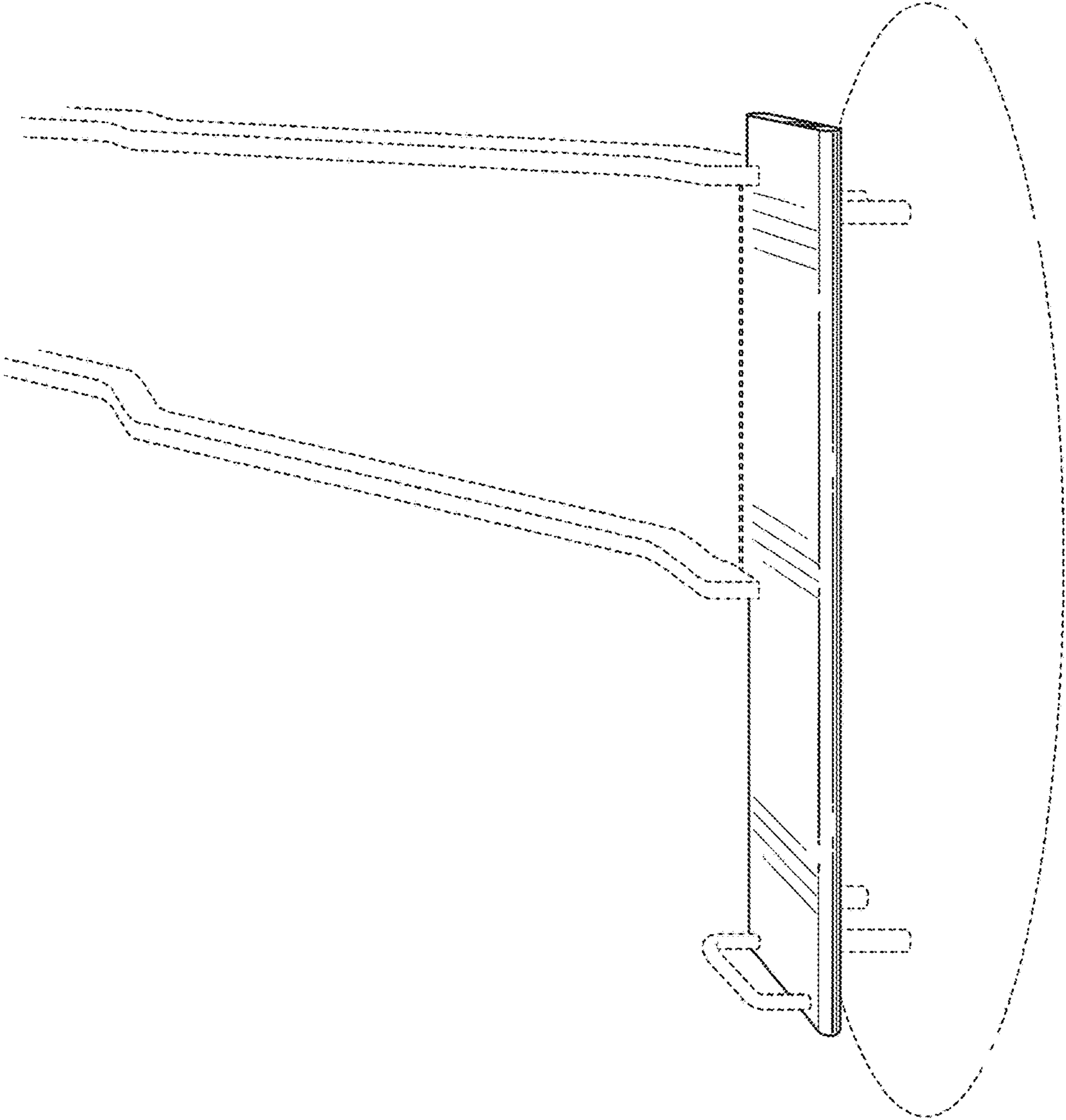


FIG. 1

FIG. 2

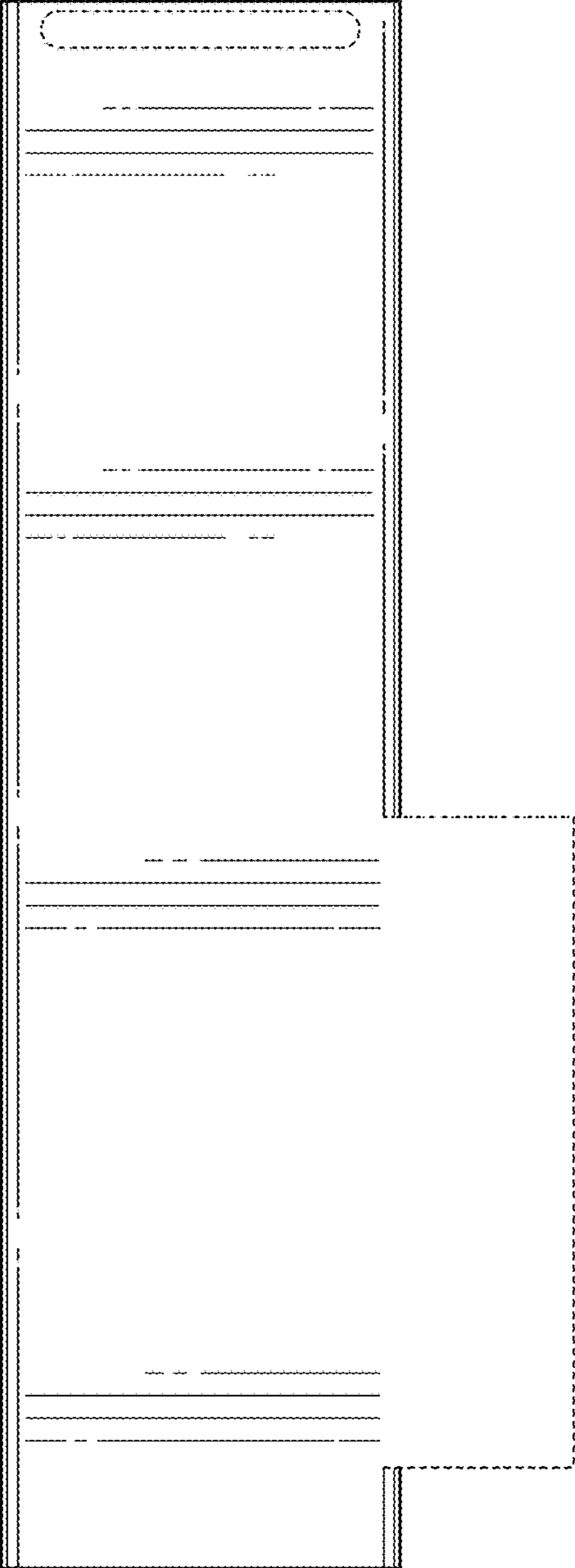
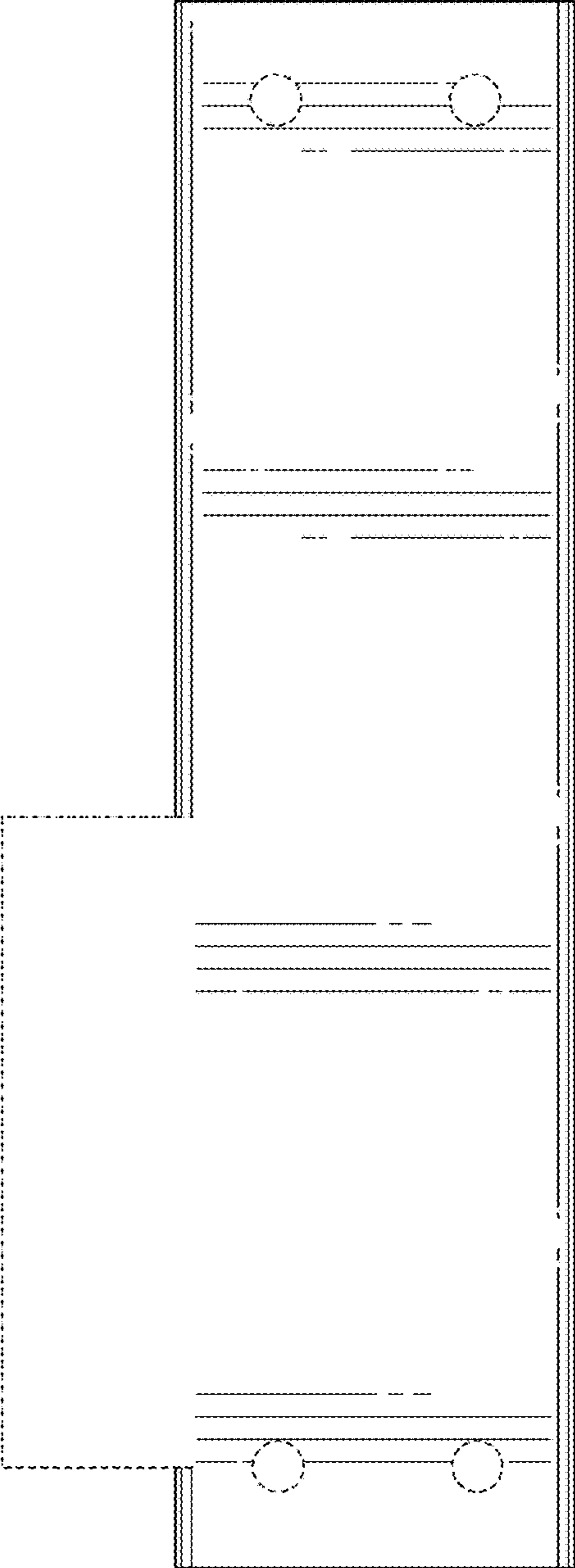


FIG. 3



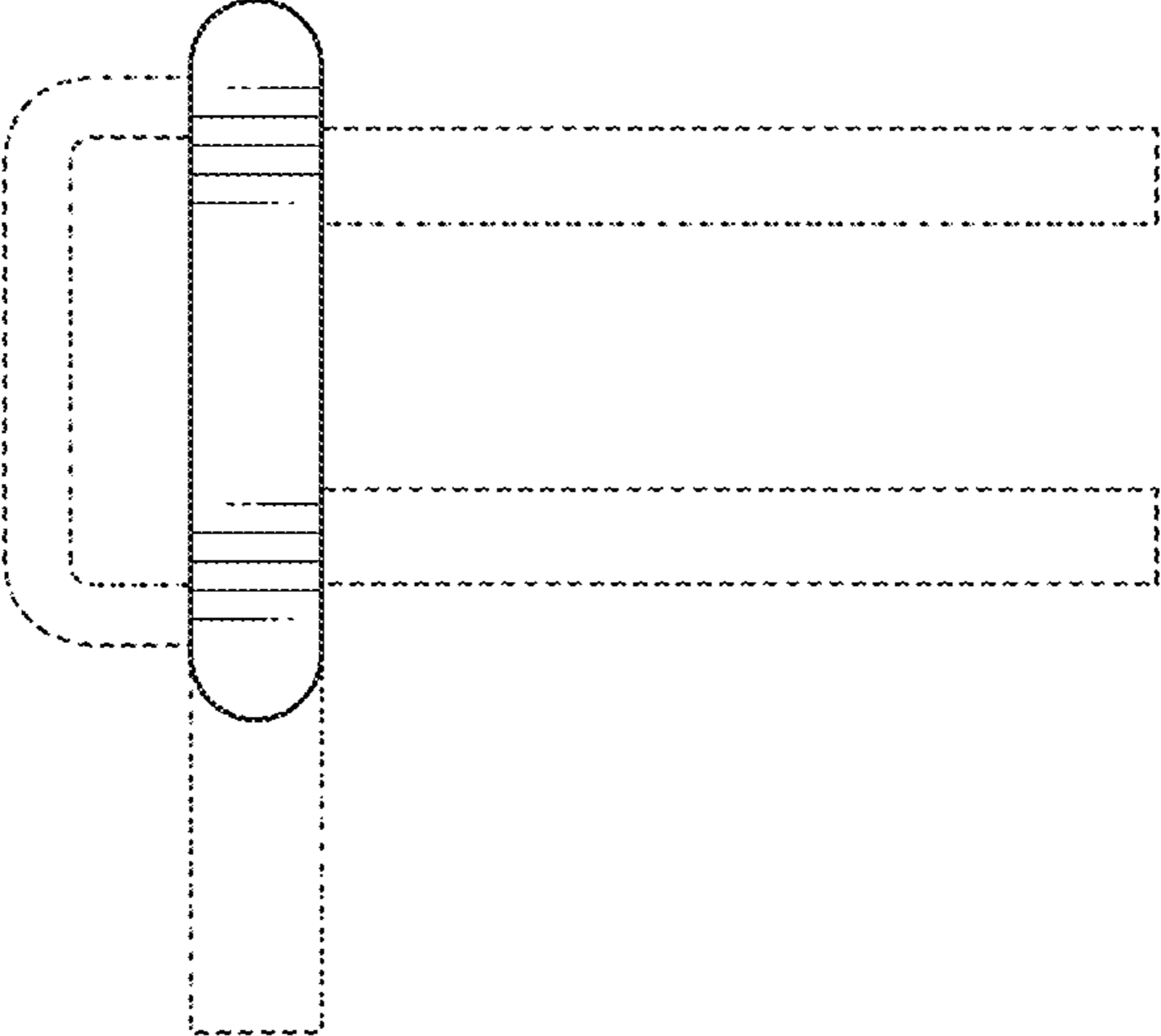


FIG. 5

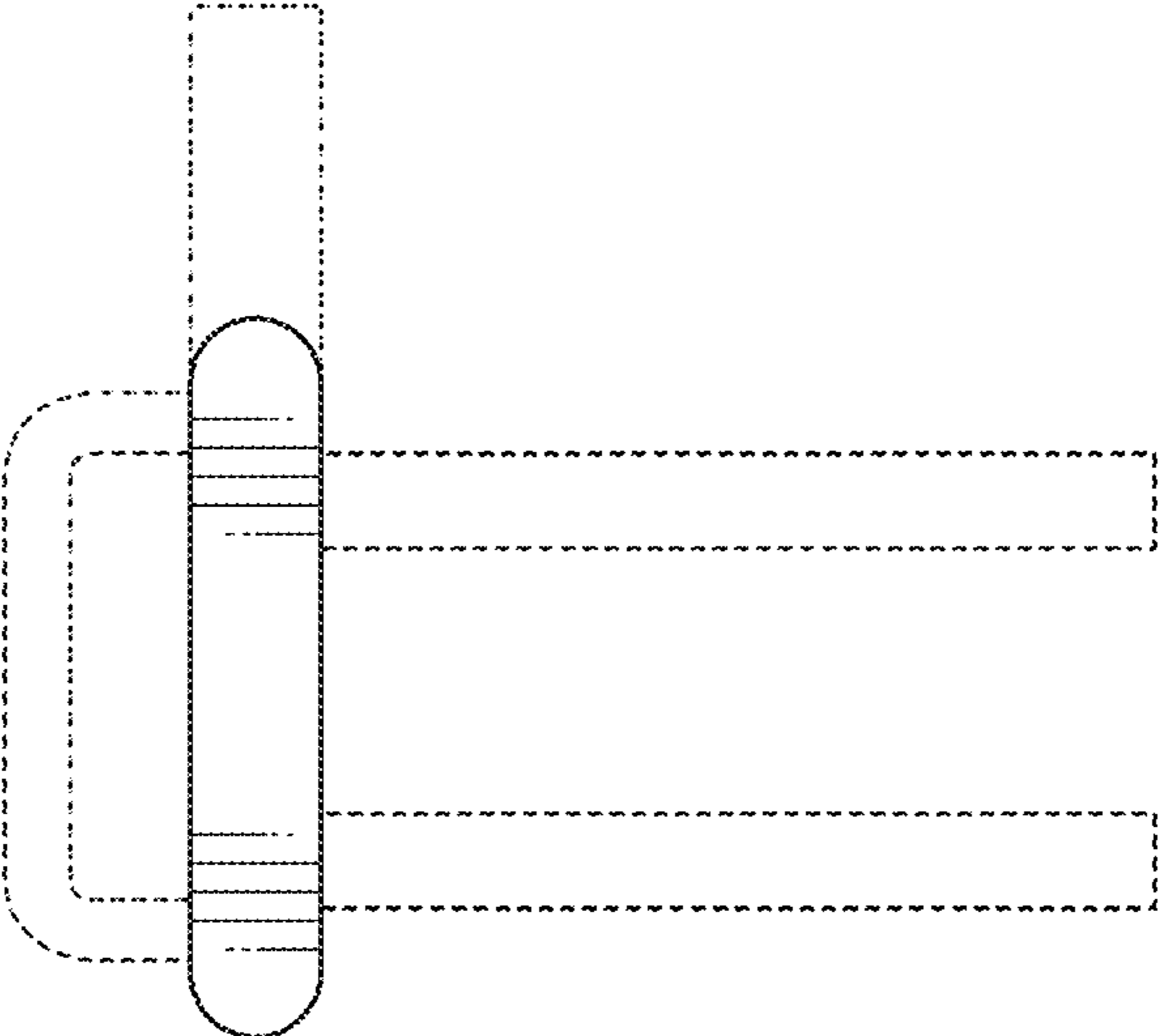


FIG. 4

FIG. 6

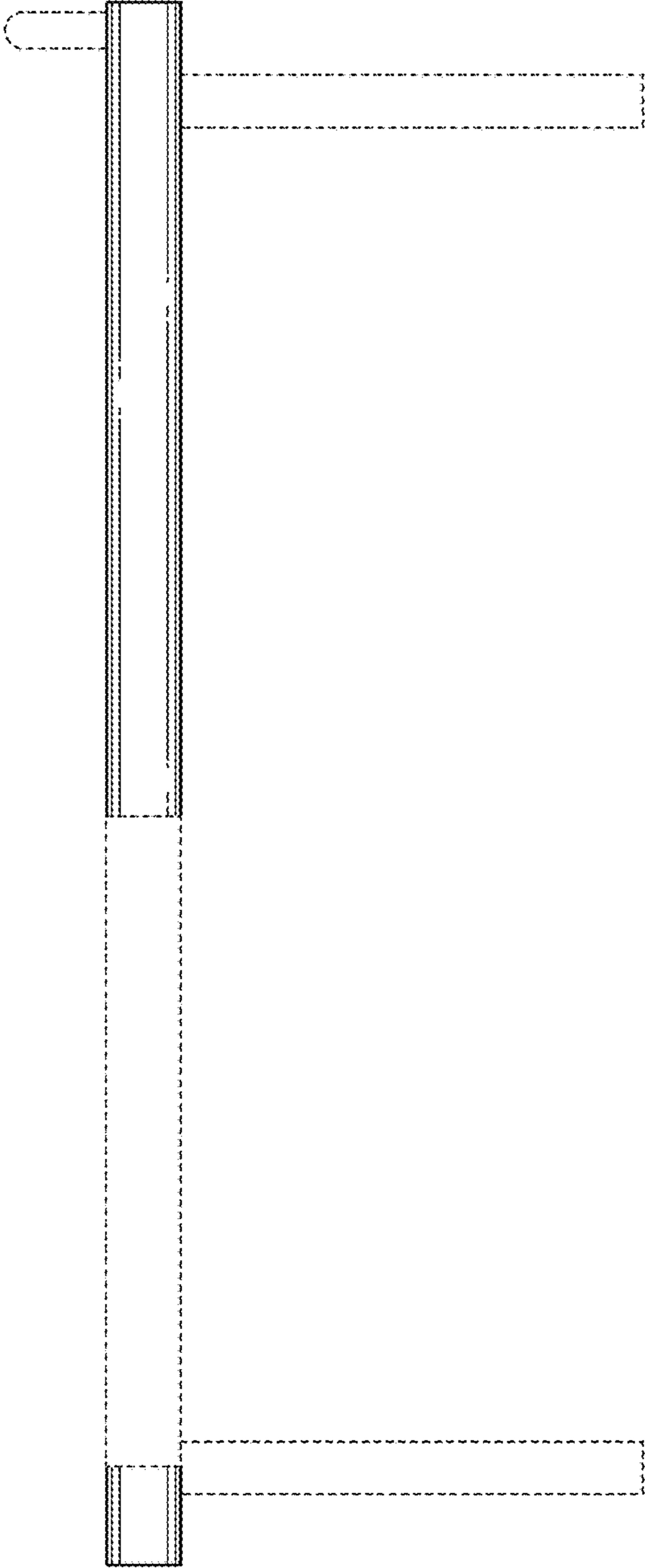


FIG. 7

