



US00D792539S

(12) **United States Design Patent**
Cameron

(10) **Patent No.:** **US D792,539 S**

(45) **Date of Patent:** **** Jul. 18, 2017**

(54) **PUTTER HEAD**

(71) Applicant: **Acushnet Company**, Fairhaven, MA
(US)

(72) Inventor: **Don T. Cameron**, Carlsbad, CA (US)

(73) Assignee: **Acushnet Company**, Fairhaven, MA
(US)

(**) Term: **15 Years**

(21) Appl. No.: **29/561,007**

(22) Filed: **Apr. 12, 2016**

(51) **LOC (10) Cl.** **21-02**

(52) **U.S. Cl.**
USPC **D21/759**

(58) **Field of Classification Search**
USPC D21/736-746, 759
CPC A63B 53/00; A63B 53/04; A63B 53/007;
A63B 53/065; A63B 53/0487
See application file for complete search history.

(56) **References Cited**

U.S. PATENT DOCUMENTS

1,435,318 A * 11/1922 Mattern A63B 53/04
473/342
1,571,109 A * 1/1926 East A63B 53/04
D21/759

D393,302 S * 4/1998 Renegar D21/759
D639,884 S * 6/2011 Breier D21/759
D658,250 S * 4/2012 Dolezel D21/759
D658,732 S * 5/2012 Dolezel D21/759
D661,754 S * 6/2012 Cameron D21/759
D741,429 S * 10/2015 Asatsuma D21/759

* cited by examiner

Primary Examiner — Mitchell Siegel

(74) *Attorney, Agent, or Firm* — Randy K. Chang

(57) **CLAIM**

The ornamental design for a putter head, as shown and described.

DESCRIPTION

FIG. 1 is a perspective sole view of my new design for a portion of a putter head;
FIG. 2 is a top view thereof;
FIG. 3 is a front view thereof;
FIG. 4 is a heel side view thereof;
FIG. 5 is a toe side view thereof; and,
FIG. 6 is a bottom view thereof.

The portion of the club head shown in phantom are for illustrative purposes only and do not form any portion of the claimed design.

1 Claim, 3 Drawing Sheets

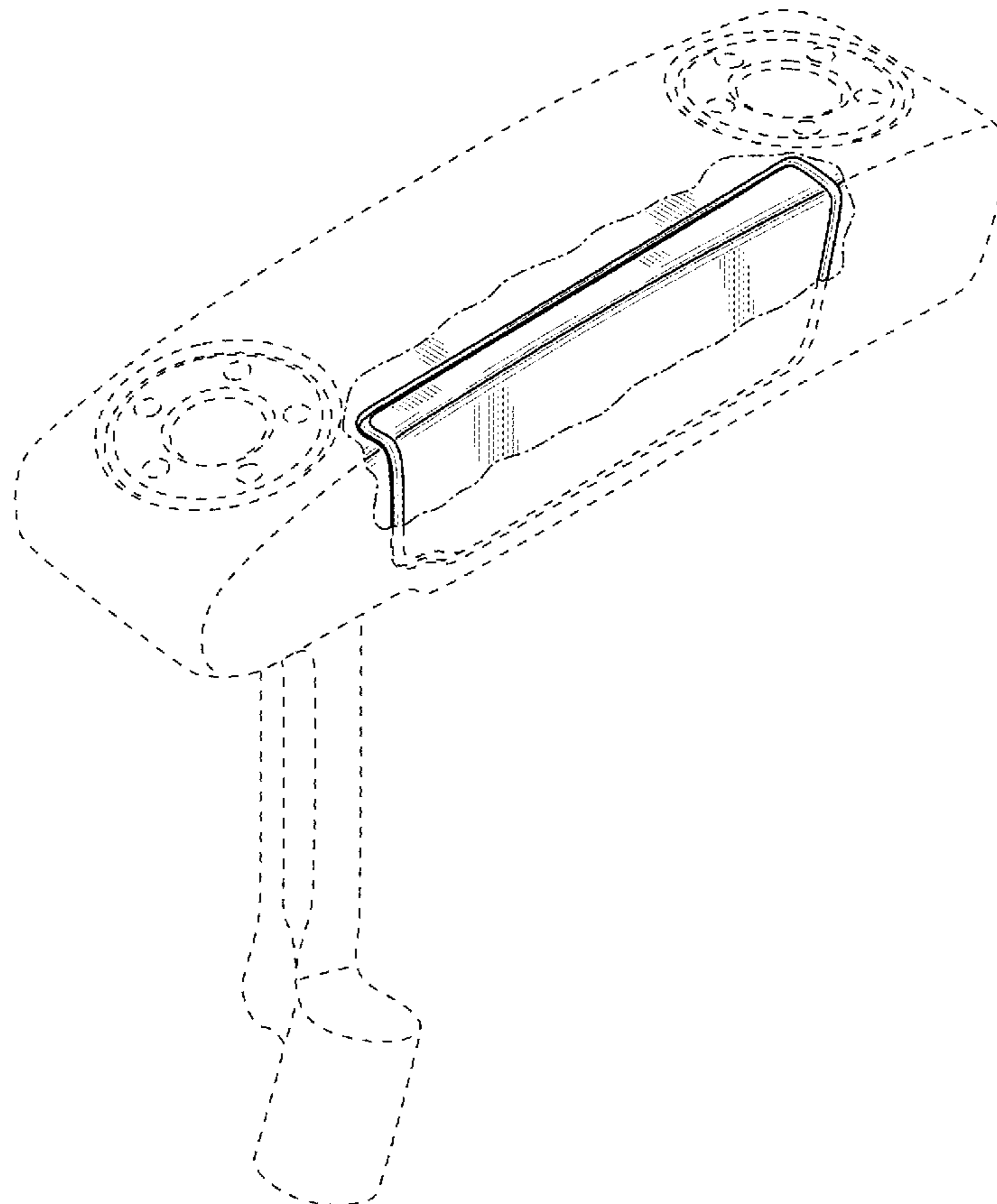


FIG. 1

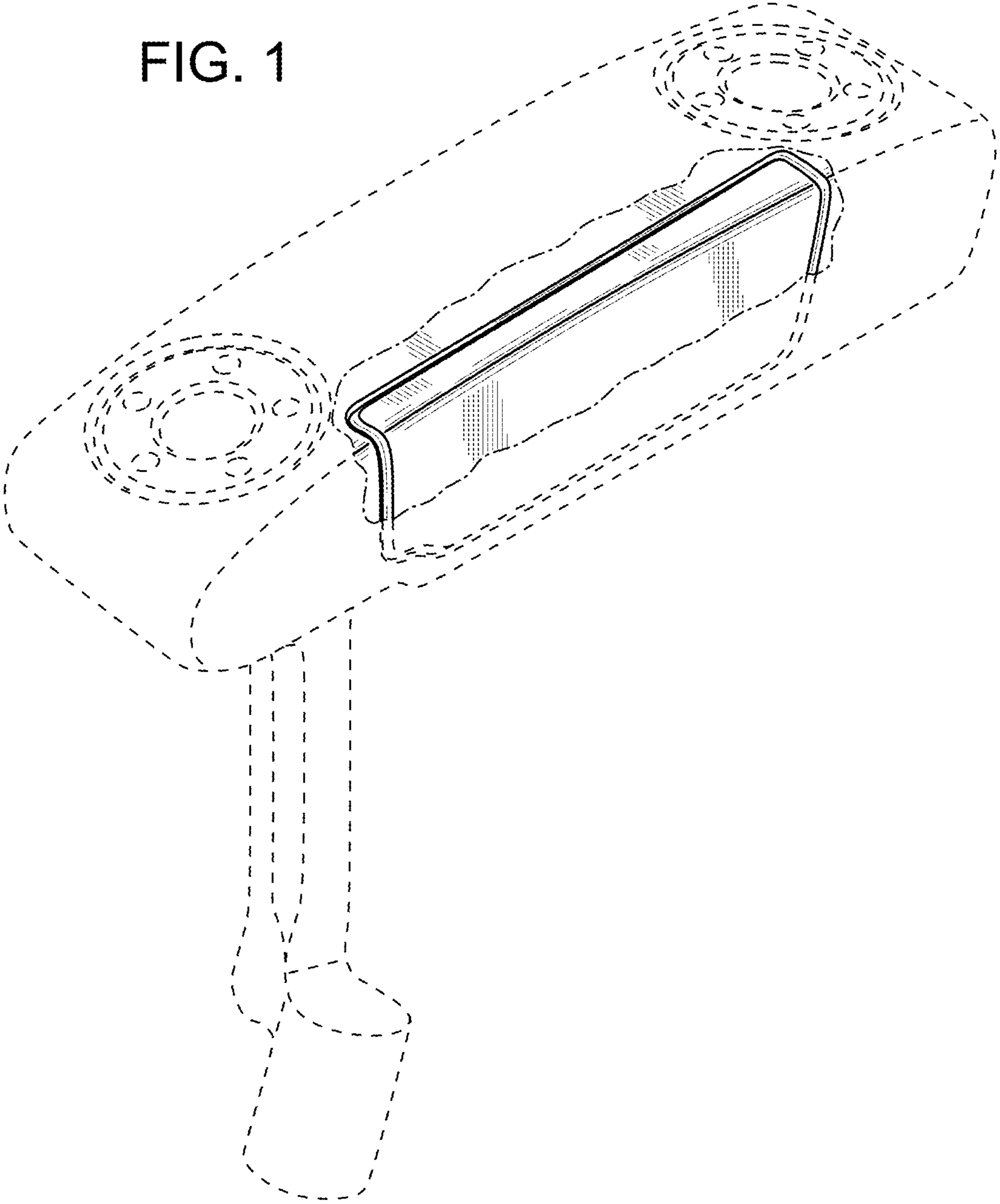


FIG. 2

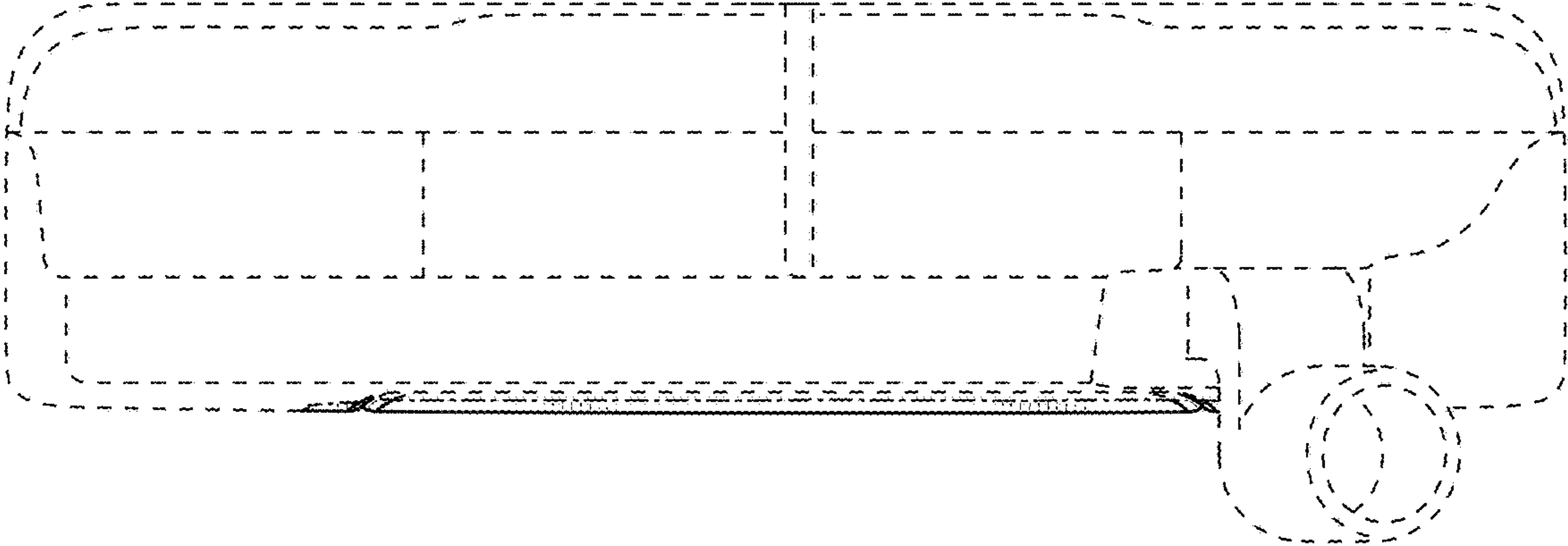


FIG. 3

