



US00D792537S

(12) **United States Design Patent** (10) **Patent No.:** **US D792,537 S**  
**Clarke et al.** (45) **Date of Patent:** **\*\* Jul. 18, 2017**

(54) **GOLF CLUB HEAD**  
(71) Applicant: **Karsten Manufacturing Corporation**,  
Phoenix, AZ (US)  
(72) Inventors: **Jacob T. Clarke**, Phoenix, AZ (US);  
**Calvin Wang**, Chandler, AZ (US)  
(73) Assignee: **Karsten Manufacturing Corporation**,  
Phoenix, AZ (US)  
(\*\*) Term: **15 Years**  
(21) Appl. No.: **29/557,959**  
(22) Filed: **Mar. 14, 2016**  
(51) **LOC (10) Cl.** ..... **21-02**  
(52) **U.S. Cl.**  
USPC ..... **D21/744**  
(58) **Field of Classification Search**  
USPC ..... D21/736-746  
CPC ... A63B 53/065; A63B 53/0487; A63B 53/00;  
A63B 53/007; A63B 53/04  
See application file for complete search history.

6,893,355 B2 5/2005 Souza  
6,902,496 B2 6/2005 Solheim  
D507,612 S 7/2005 Souza  
6,926,615 B1 8/2005 Souza  
6,960,140 B2 11/2005 Solheim  
6,966,845 B2 11/2005 Solheim  
D520,584 S 5/2006 Karlson  
D521,582 S 5/2006 Souza  
7,052,411 B2 5/2006 Solheim  
D522,598 S 6/2006 Solheim  
7,077,758 B2 7/2006 Rohrer  
7,086,957 B2 8/2006 Solheim  
D527,777 S 9/2006 Solheim  
D529,108 S 9/2006 Stites  
D532,847 S 11/2006 Rollinson  
D533,242 S \* 12/2006 Tang ..... D21/736  
D533,243 S 12/2006 Fife, Jr.  
D533,244 S 12/2006 Kroll  
7,235,021 B2 6/2007 Solheim  
D548,295 S 8/2007 Jertson

(Continued)

Primary Examiner — Mitchell Siegel

(57) **CLAIM**

The ornamental design for a golf club head, as shown and described.

**DESCRIPTION**

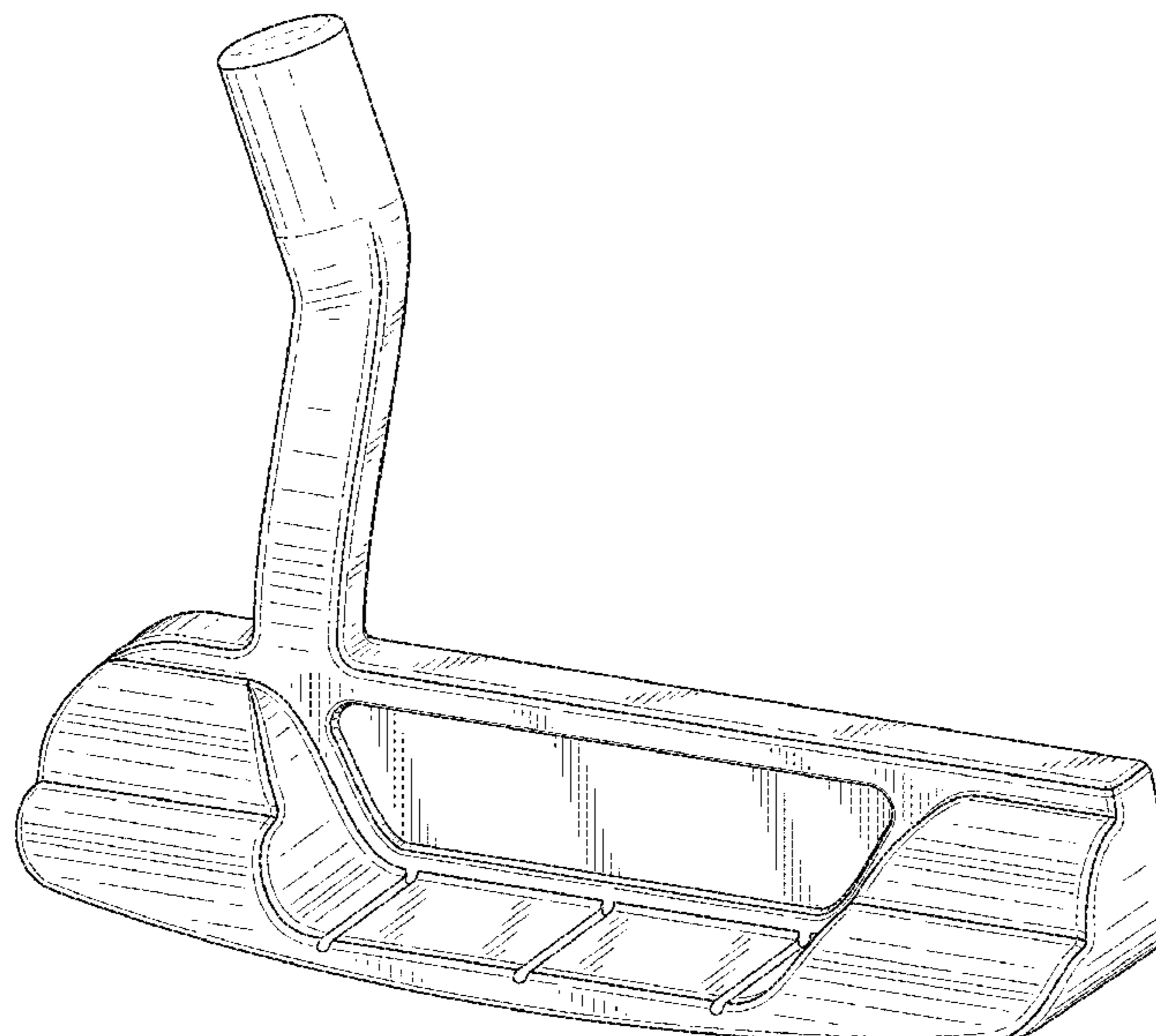
FIG. 1 is a top perspective view of a golf club head;  
FIG. 2 is a bottom perspective view of the golf club head of FIG. 1;  
FIG. 3 is a front view of the golf club head of FIG. 1;  
FIG. 4 is a rear view of the golf club head of FIG. 1;  
FIG. 5 is a top view of the golf club head of FIG. 1;  
FIG. 6 is a bottom view of the golf club head of FIG. 1;  
FIG. 7 is a left view of the golf club head of FIG. 1; and,  
FIG. 8 is a right view of the golf club head of FIG. 1.  
The broken lines shown in one or more of the figures are for illustrative purposes only and form no part of the claimed design.

**1 Claim, 6 Drawing Sheets**

(56) **References Cited**

**U.S. PATENT DOCUMENTS**

D316,129 S 4/1991 Bryson  
5,275,412 A 1/1994 Innes  
D394,689 S \* 5/1998 Sheets ..... D21/743  
D427,262 S \* 6/2000 Frazetta ..... D21/743  
6,159,108 A 12/2000 De La Pena  
D439,295 S \* 3/2001 Sizemore, Jr. .... D21/736  
D443,905 S \* 6/2001 Nicolette ..... D21/743  
6,379,259 B1 4/2002 Opie  
D483,823 S \* 12/2003 Swist ..... D21/736  
D488,526 S 4/2004 Souza  
D500,109 S 12/2004 Solheim  
D500,110 S 12/2004 Solheim  
6,837,801 B1 1/2005 Souza  
6,878,071 B1 4/2005 Schweiger



(56)

References Cited

U.S. PATENT DOCUMENTS

7,255,650 B2	8/2007	Bryant	
D552,197 S	10/2007	Wells	
D559,928 S *	1/2008	Cameron .....	D21/736
D564,607 S	3/2008	Oldknow et al.	
D565,137 S	3/2008	Oldknow	
7,371,185 B1	5/2008	Rohrer	
D570,934 S *	6/2008	Ban .....	D21/744
D577,086 S *	9/2008	Nicolette .....	D21/743
D581,473 S	11/2008	Thomas	
D583,003 S	12/2008	Solheim	
D587,325 S	2/2009	Solheim	
D600,760 S	9/2009	Serrano	
D600,761 S	9/2009	Solheim et al.	
D600,762 S	9/2009	Serrano	
7,601,076 B2	10/2009	Rollinson	
D607,950 S	1/2010	Souza	
D613,357 S *	4/2010	Utz .....	D21/736
D621,458 S	8/2010	Serrano	
D621,460 S	8/2010	Serrano	
D621,461 S	8/2010	Serrano	
D621,462 S	8/2010	Serrano	
D621,891 S	8/2010	Serrano	
D623,709 S	9/2010	Serrano et al.	
7,803,066 B2	9/2010	Solheim	
7,815,515 B1	10/2010	Hunt	
D638,891 S	5/2011	Nicolette	
D638,892 S *	5/2011	Hettinger .....	D21/743
D640,341 S	6/2011	Foster et al.	
D641,440 S *	7/2011	Hettinger .....	D21/743
D643,080 S	8/2011	Serrano	
D643,485 S	8/2011	Nicolette	
D643,486 S	8/2011	Serrano	
D643,487 S	8/2011	Serrano	
D650,456 S *	12/2011	Tang .....	D21/743
8,100,779 B2	1/2012	Solheim	
D653,718 S	2/2012	Stokke	
8,109,838 B2	2/2012	Solheim	
D655,361 S *	3/2012	Ramsauer .....	D21/743
8,128,505 B2	3/2012	Tryner et al.	
D664,617 S	7/2012	Serrano	
D688,339 S *	8/2013	Hilton .....	D21/736
D689,574 S *	9/2013	Rollinson .....	D21/743
D691,681 S *	10/2013	Hilton .....	D21/736
D723,641 S	3/2015	Serran et al.	
2005/0170904 A1	8/2005	Smeeth	
2006/0094533 A1	5/2006	Warren	
2006/0166755 A1	7/2006	Brown	
2007/0191135 A1	8/2007	Nilsson	
2008/0096686 A1	4/2008	Bilkhu	
2009/0270198 A1	10/2009	Solheim et al.	
2009/0305806 A1	12/2009	Campadore et al.	
2009/0305807 A1	12/2009	Solheim et al.	
2010/0227704 A1	9/2010	Souza	
2012/0115628 A1	5/2012	Woods	

\* cited by examiner

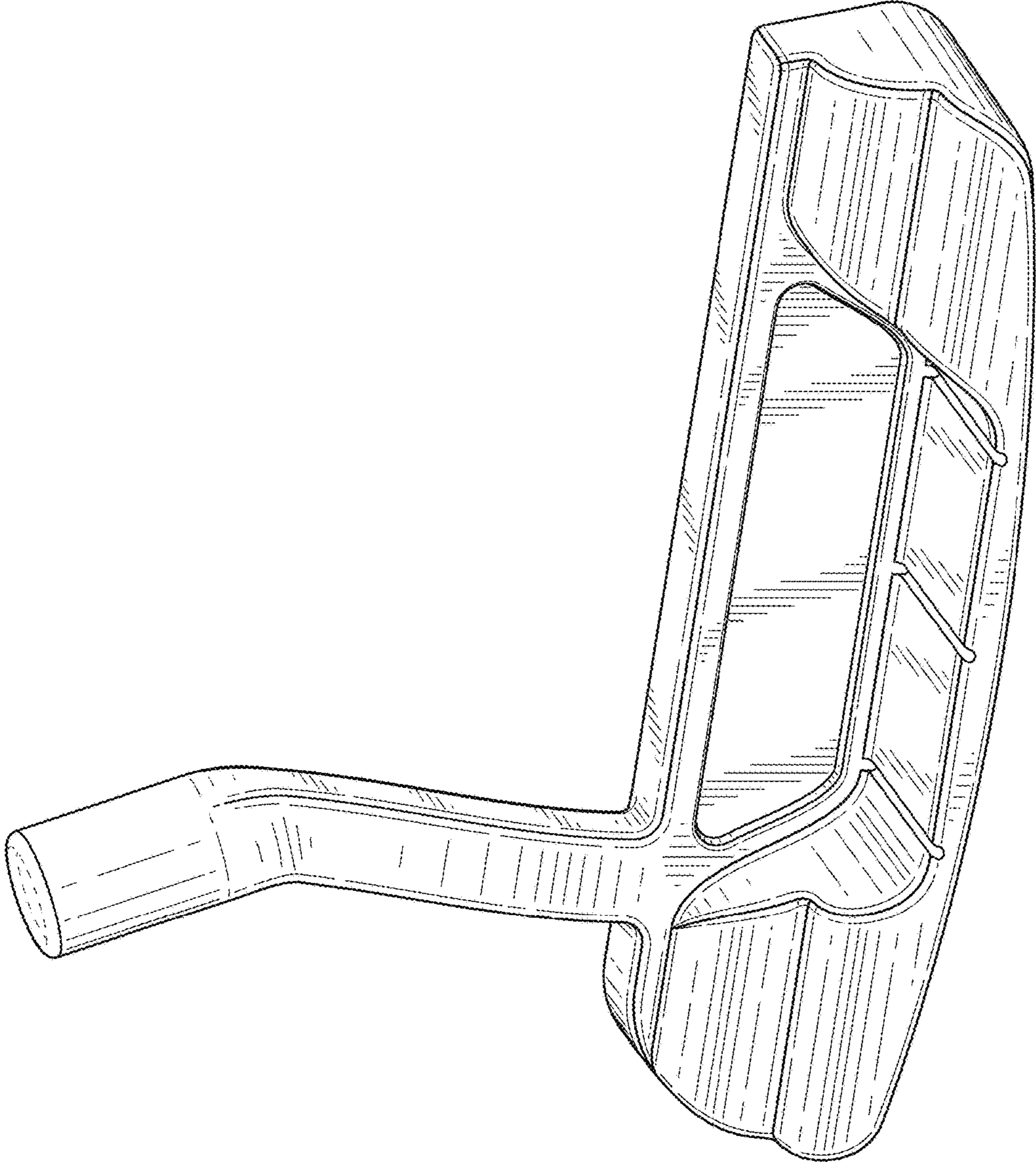


FIG. 1

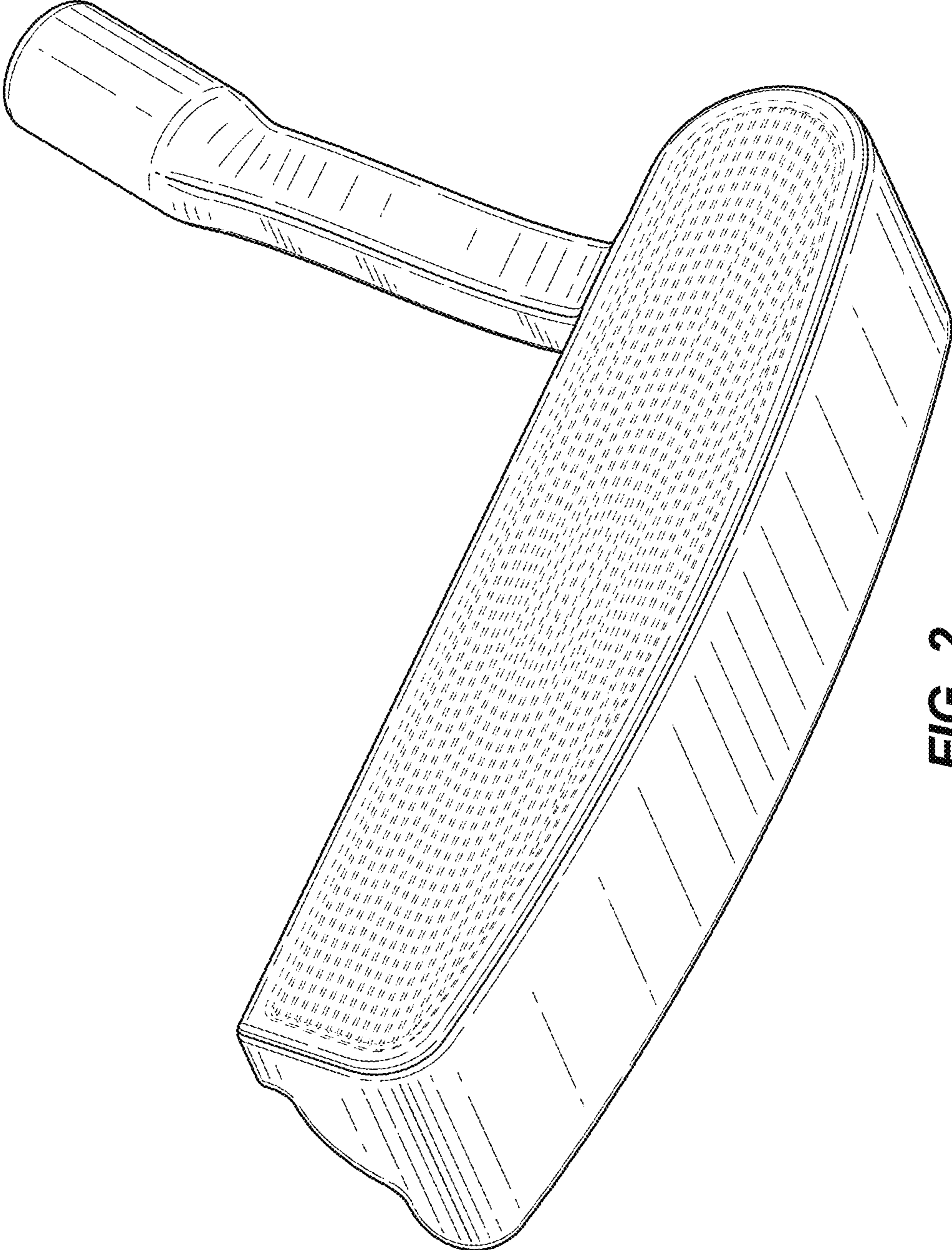
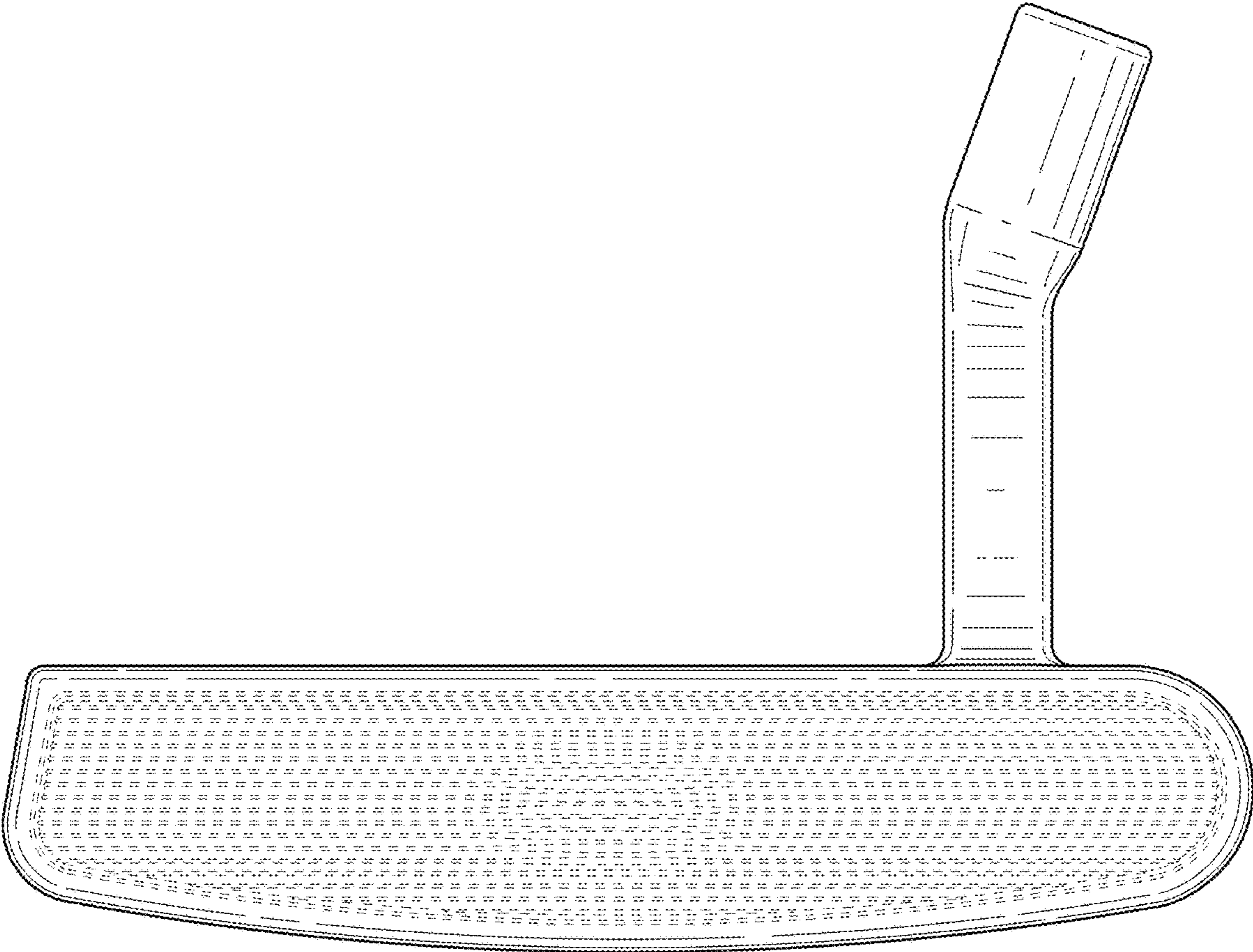
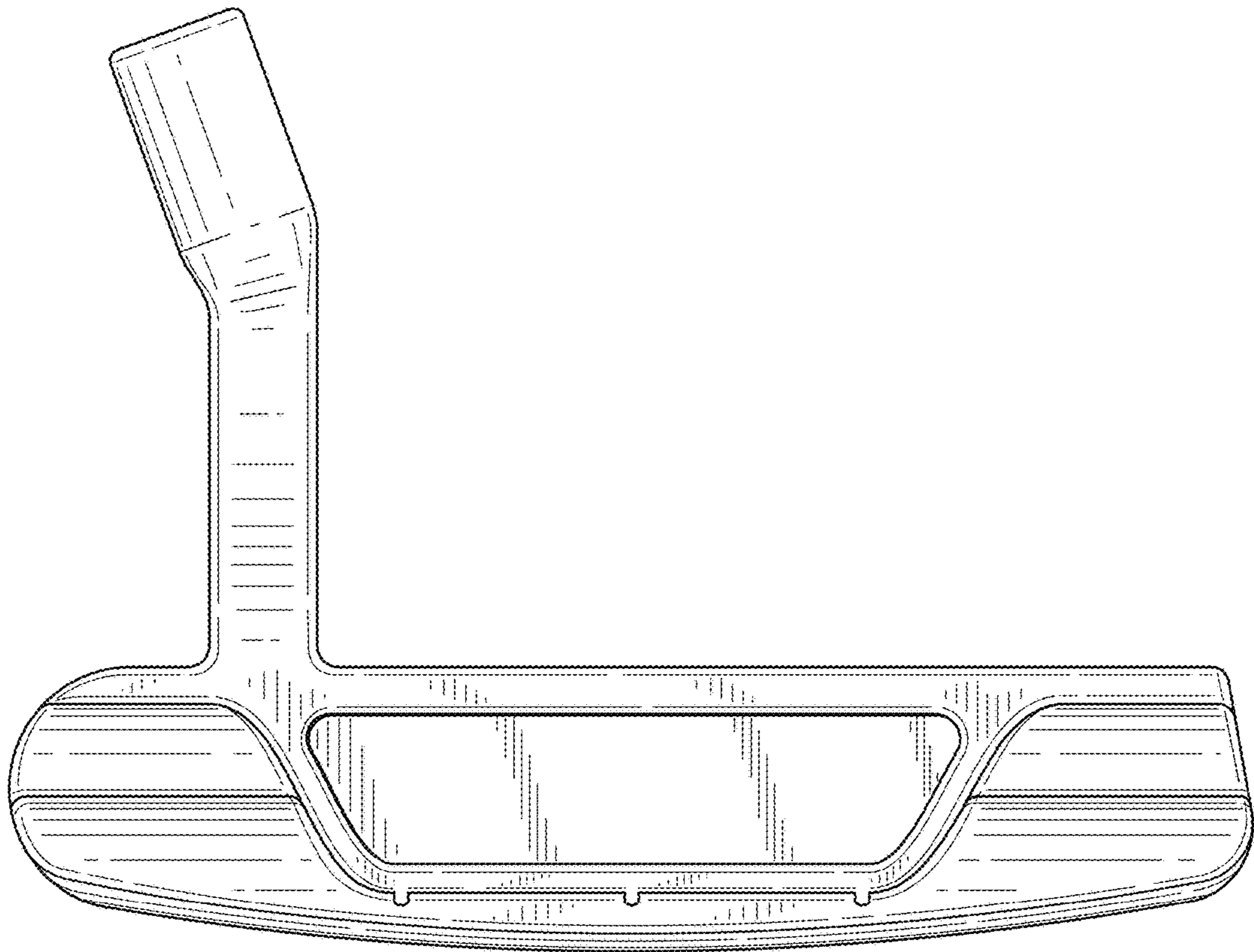


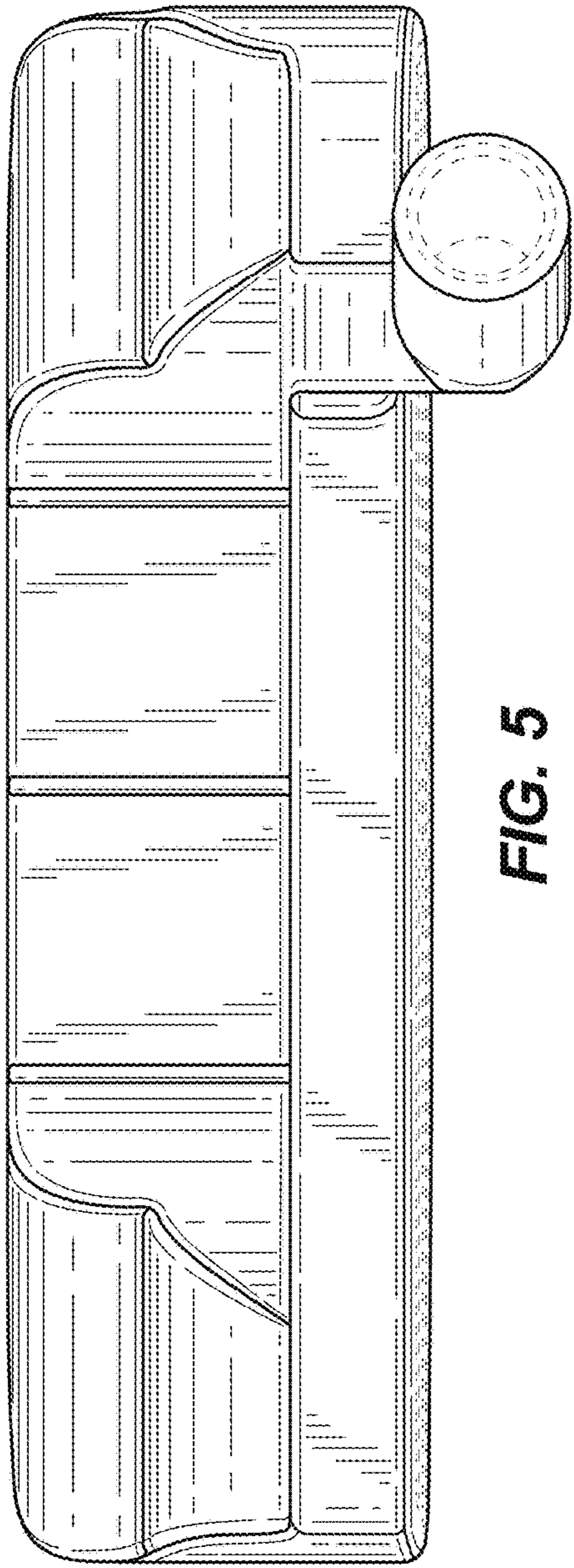
FIG. 2



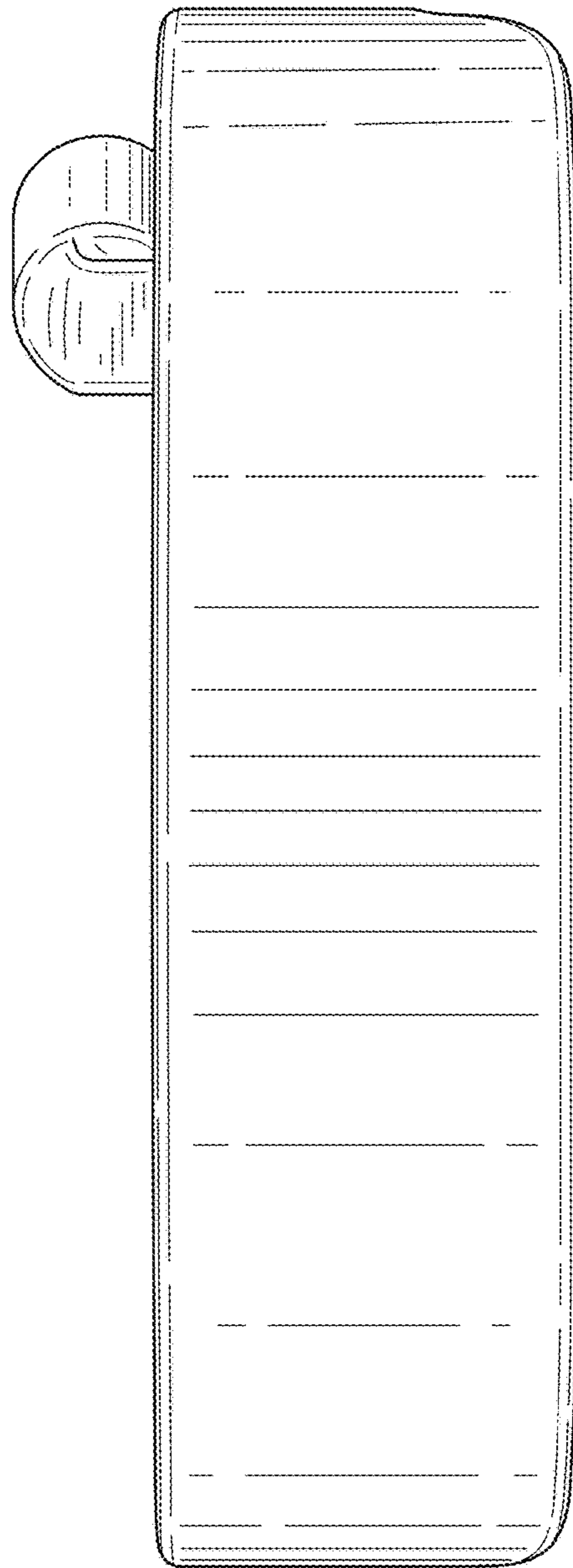
**FIG. 3**



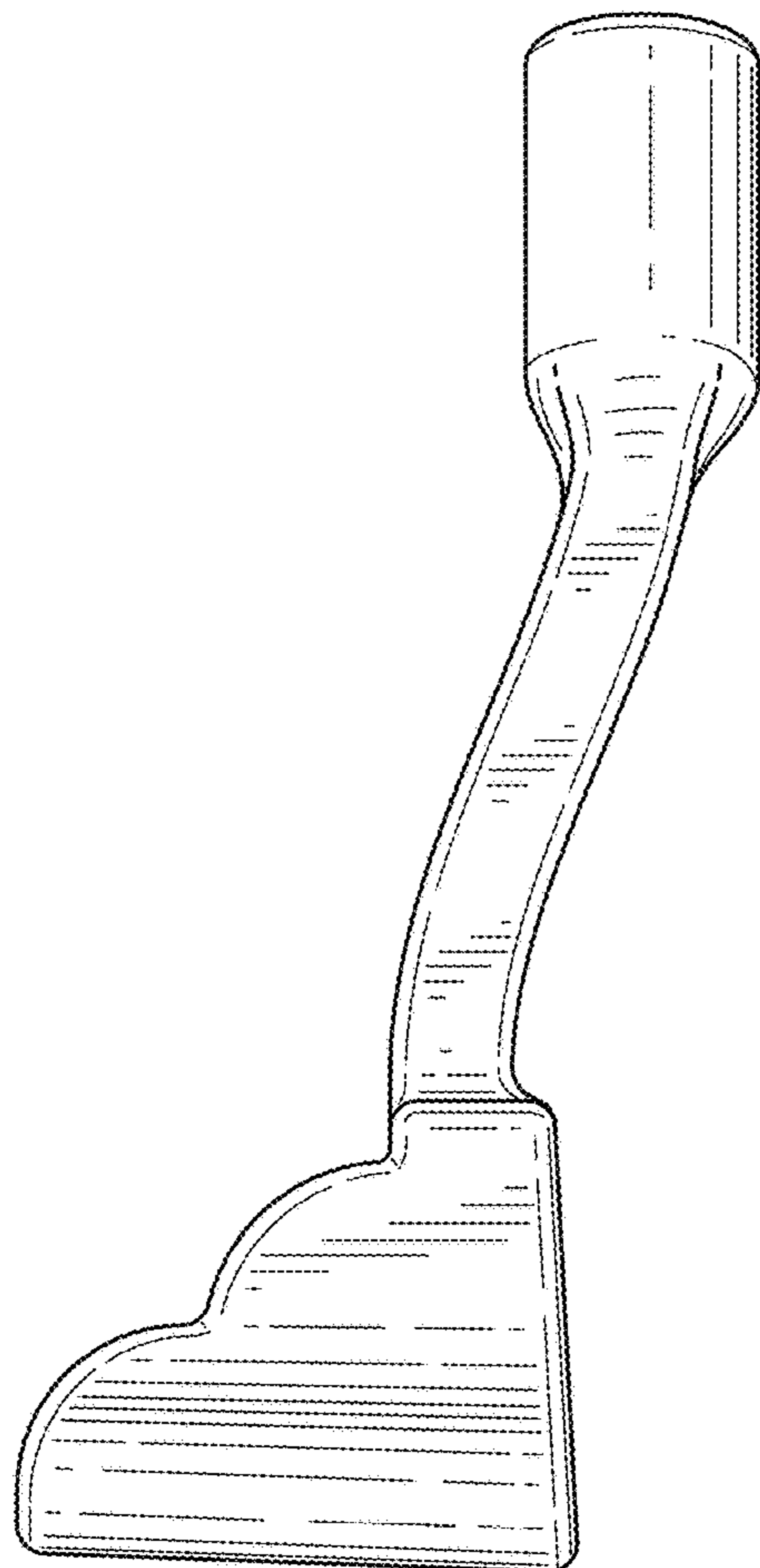
**FIG. 4**



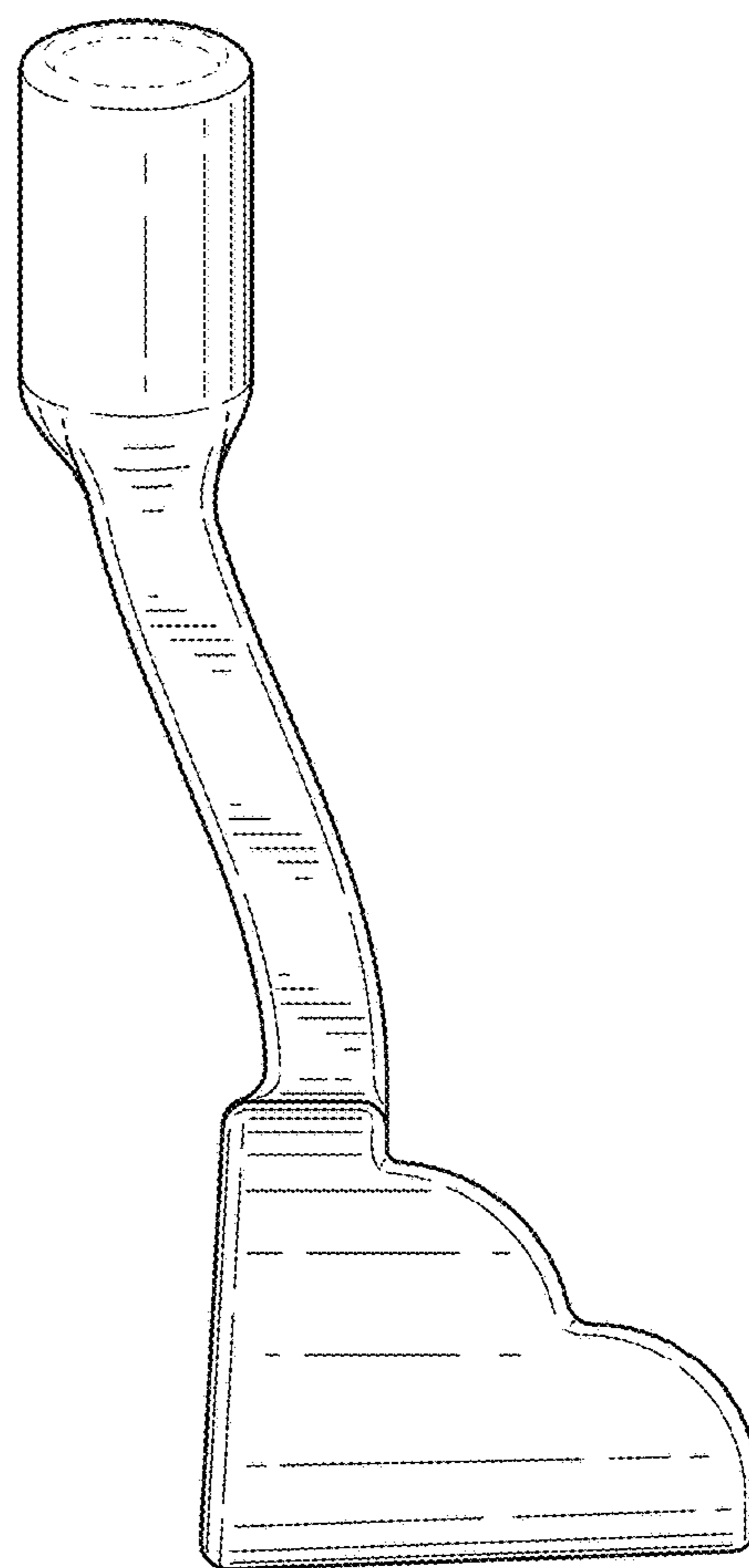
**FIG. 5**



**FIG. 6**



**FIG. 7**



**FIG. 8**