



US00D792531S

(12) **United States Design Patent** (10) **Patent No.:** **US D792,531 S**
Bossier (45) **Date of Patent:** **** Jul. 18, 2017**

(54) **EXERCISE STRONG BAG**
(71) Applicant: **Todd Bossier**, Greenwell Springs, LA (US)
(72) Inventor: **Todd Bossier**, Greenwell Springs, LA (US)
(**) Term: **14 Years**
(21) Appl. No.: **29/512,922**
(22) Filed: **Dec. 23, 2014**
(51) **LOC (10) Cl.** **21-02**
(52) **U.S. Cl.**
USPC **D21/682**
(58) **Field of Classification Search**
USPC ... 482/106, 51, 93, 109, 110, 139, 142, 148, 482/44, 45, 46, 141, 95, 50, 129, 127, 482/108; D21/680, 798, 692, 662, 804, D21/686, 671, 691, 682, 694, 687, 654, D21/487, 679, 684, 688, 412, 685, 400, D21/791, 725, 386; D24/188, 211, 141, D24/215, 190, 200, 231, 106, 171; D30/160, 119; D6/601, 598, 604, 691.4, D6/597, 348, 361, 596, 606; 601/112, 601/121, 122, 46, 15, 19, 120, 134, 135, 601/131; 220/4.07, 4.24, 4.27, 666; D3/307, 290, 299, 289, 287, 254, 246; 473/256, 519, 549, 558, 559, 564, 118, 473/457, 219, 513, 560, 568, 409
CPC A63B 21/4035; A63B 21/0552; A63B 23/0211; A63B 23/12; A63B 2210/50; A63B 21/0557; A63B 21/0004; Y10S 482/907; A61H 15/0092; A61H 15/00; A61H 2201/1284; A61H 1/0244; A61H 1/0292; A61H 2015/0014; A61H 1/0237
See application file for complete search history.

5,417,635 A * 5/1995 Sell A63B 21/065 482/105
D385,452 S * 10/1997 Marti 5/419
D386,613 S * 11/1997 Terzian D3/287
6,126,054 A * 10/2000 Riemer A45C 13/1046 224/601
D468,905 S * 1/2003 Nevins D3/246
D544,554 S * 6/2007 Brun D21/662
D563,490 S * 3/2008 Prenatt D21/680
D579,990 S * 11/2008 Dalcourt D21/662
D589,769 S * 4/2009 Timm D8/14
D672,414 S * 12/2012 Januszek D21/680

(Continued)

FOREIGN PATENT DOCUMENTS

CN 201220241186.6 5/2012

OTHER PUBLICATIONS

Power bag Armour by Power Bag dated no date given. Found online [Jan. 19, 2016] <http://www.powerbag.com/>.*

Primary Examiner — Robert M Spear
Assistant Examiner — Ryan Harvey
(74) *Attorney, Agent, or Firm* — Warner J. Delaune; Baker Donelson, et al.

(57) **CLAIM**

The ornamental design for an exercise strong bag, as shown and described.

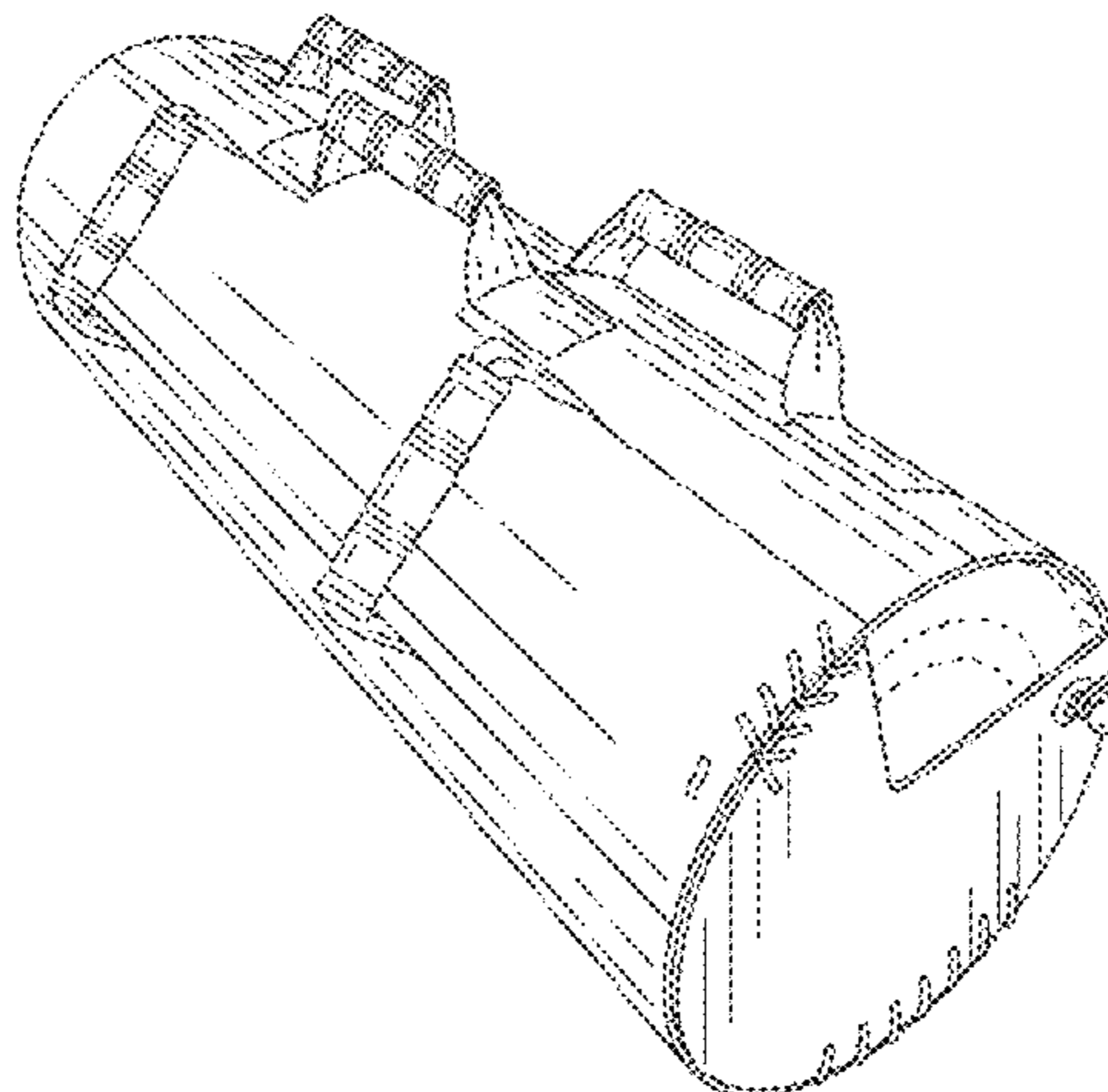
DESCRIPTION

FIG. 1 is a perspective view of an exercise strong bag showing my new design;
FIG. 2 is a front view thereof;
FIG. 3 is a rear view thereof;
FIG. 4 is a right side view thereof;
FIG. 5 is a left side view thereof;
FIG. 6 is a top view thereof; and,
FIG. 7 is a bottom view thereof.

1 Claim, 4 Drawing Sheets

(56) **References Cited**
U.S. PATENT DOCUMENTS

D286,170 S * 10/1986 Colleuil D21/662
D356,888 S * 4/1995 Myers D3/254



(56)

References Cited

U.S. PATENT DOCUMENTS

D702,297 S * 4/2014 Youngblood D21/487
8,727,951 B2 * 5/2014 Jones A63B 21/0602
482/109
D740,565 S * 10/2015 Ludeman D3/290
2005/0187075 A1 * 8/2005 Bellamy A63B 21/0004
482/93
2007/0099772 A1 5/2007 Fu
2011/0287904 A1 11/2011 Morris
2013/0072357 A1 3/2013 Galvan
2013/0123084 A1 5/2013 Miklosi
2015/0343256 A1 * 12/2015 Coopol A63B 21/075
482/93

* cited by examiner

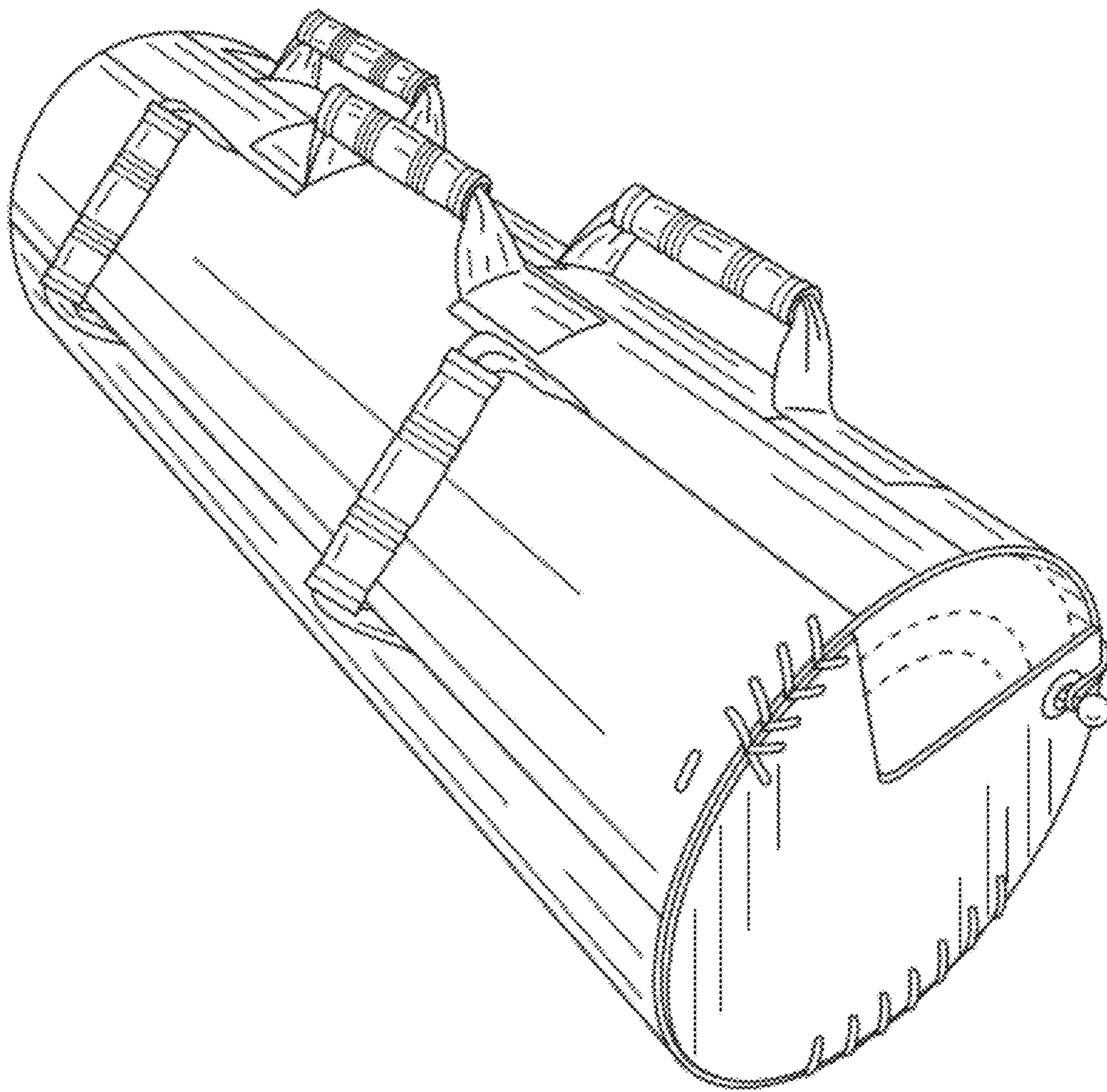


FIG. 1

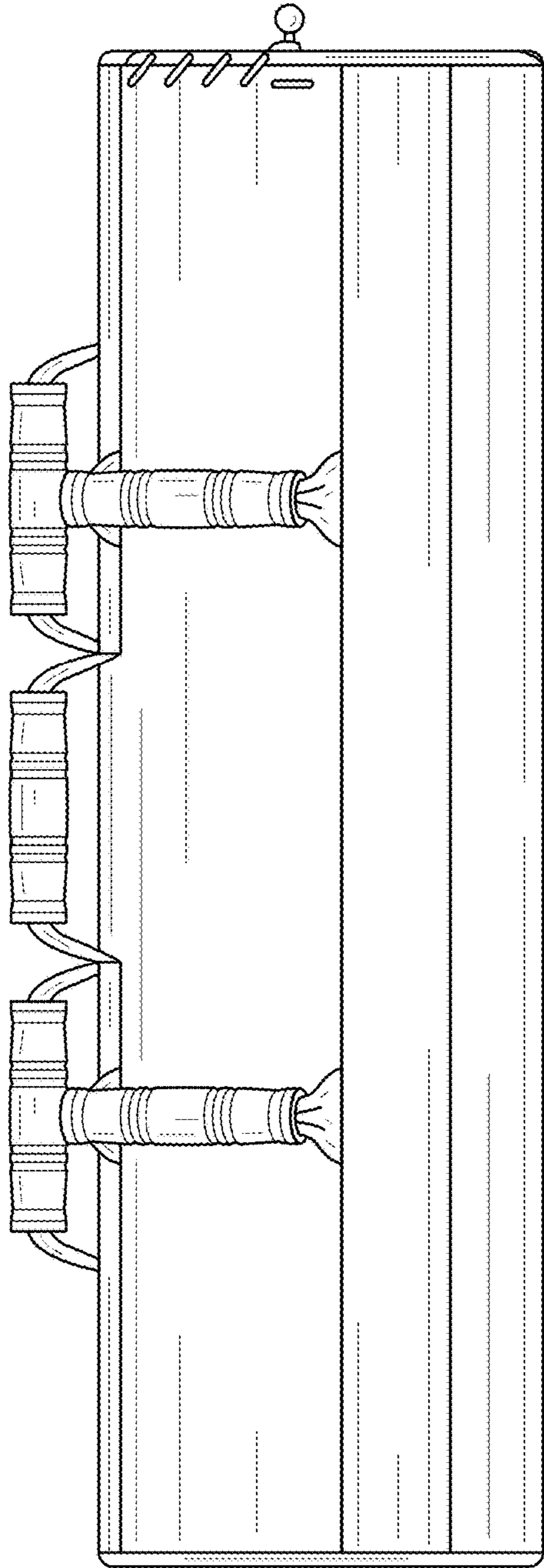


FIG. 2

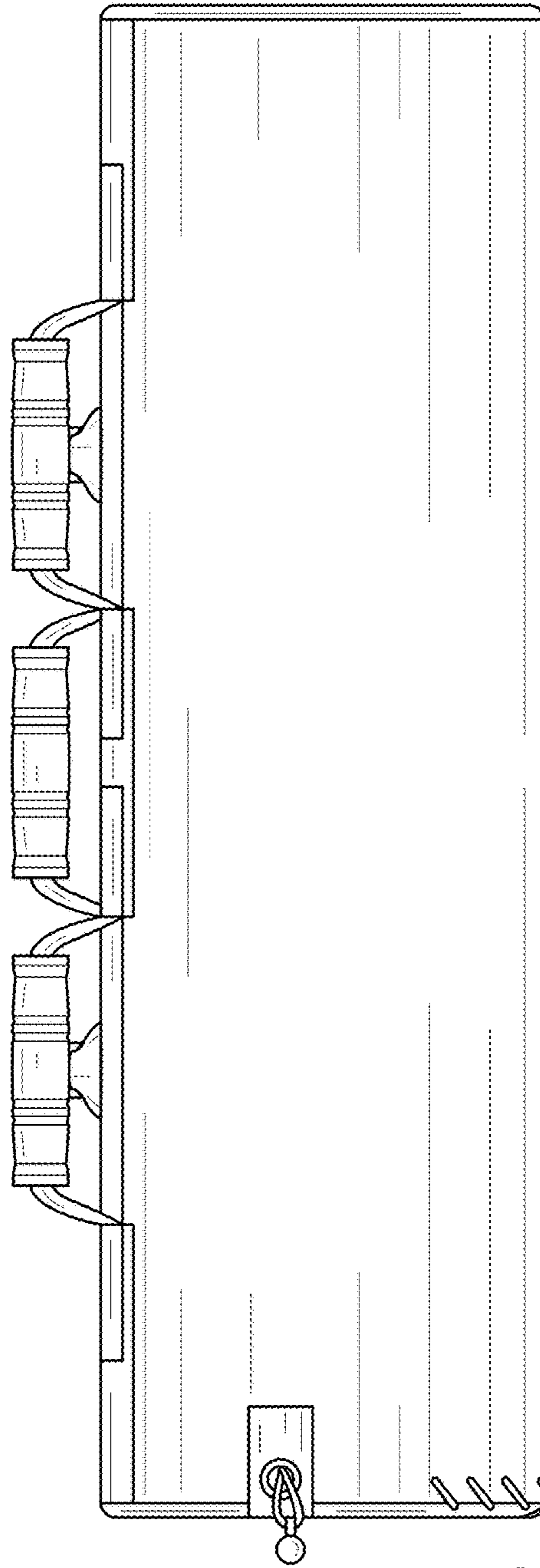


FIG. 3

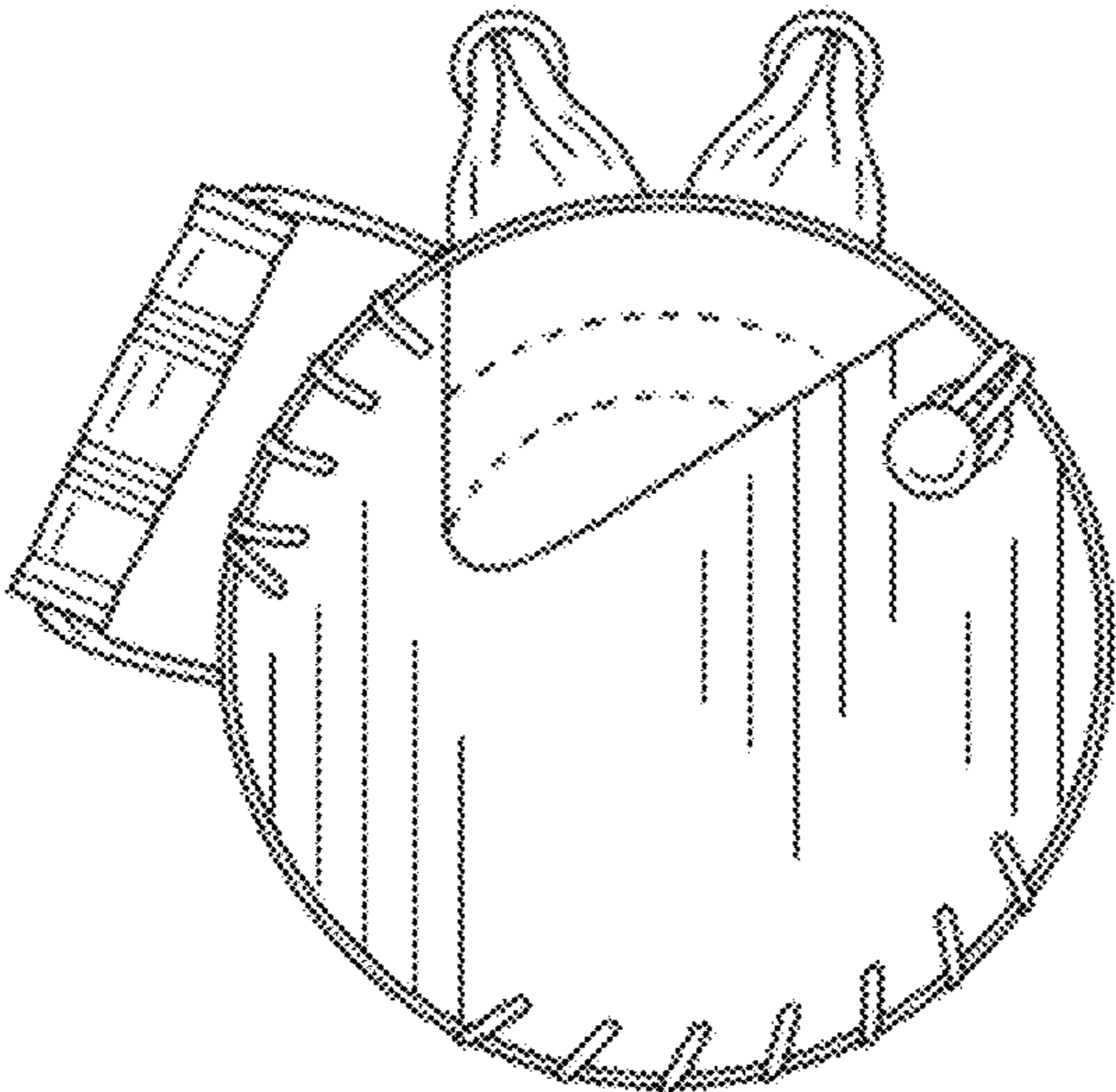


FIG. 4

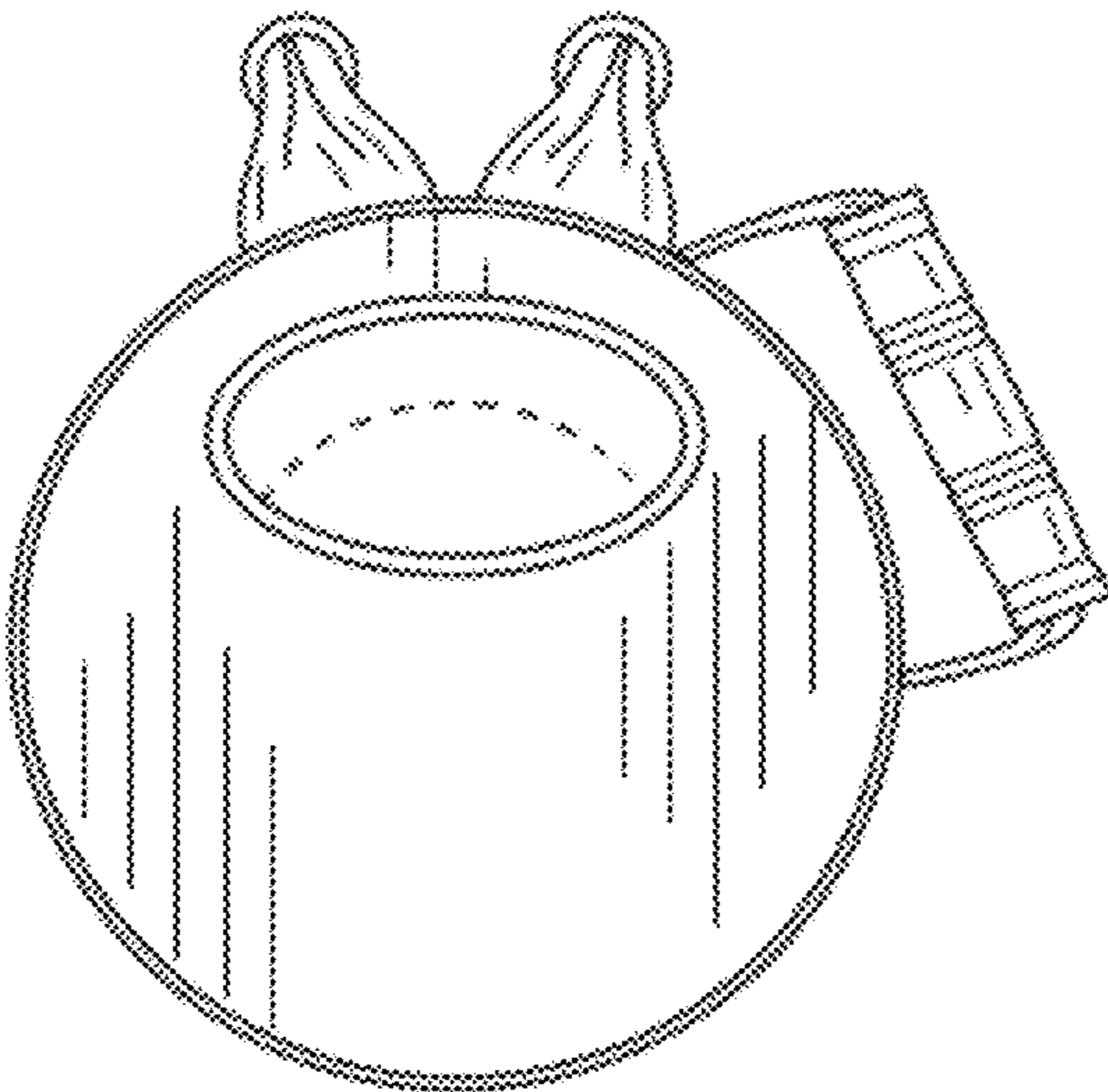


FIG. 5

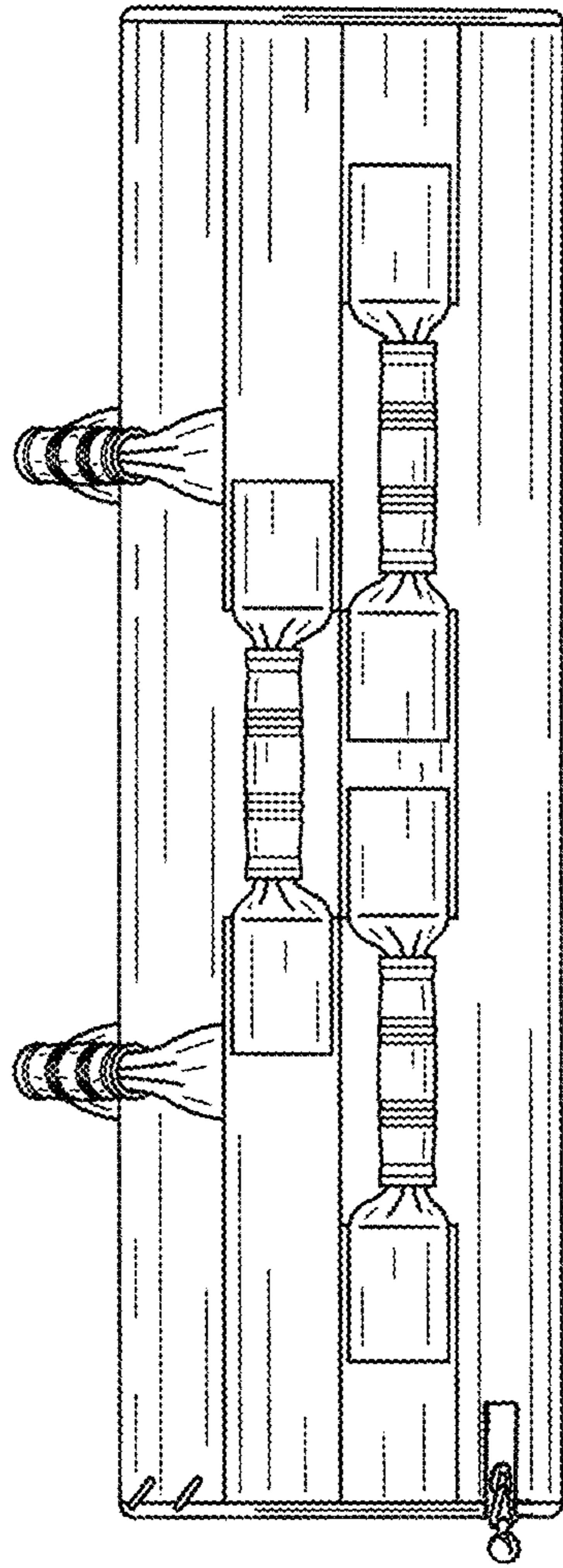


FIG. 6

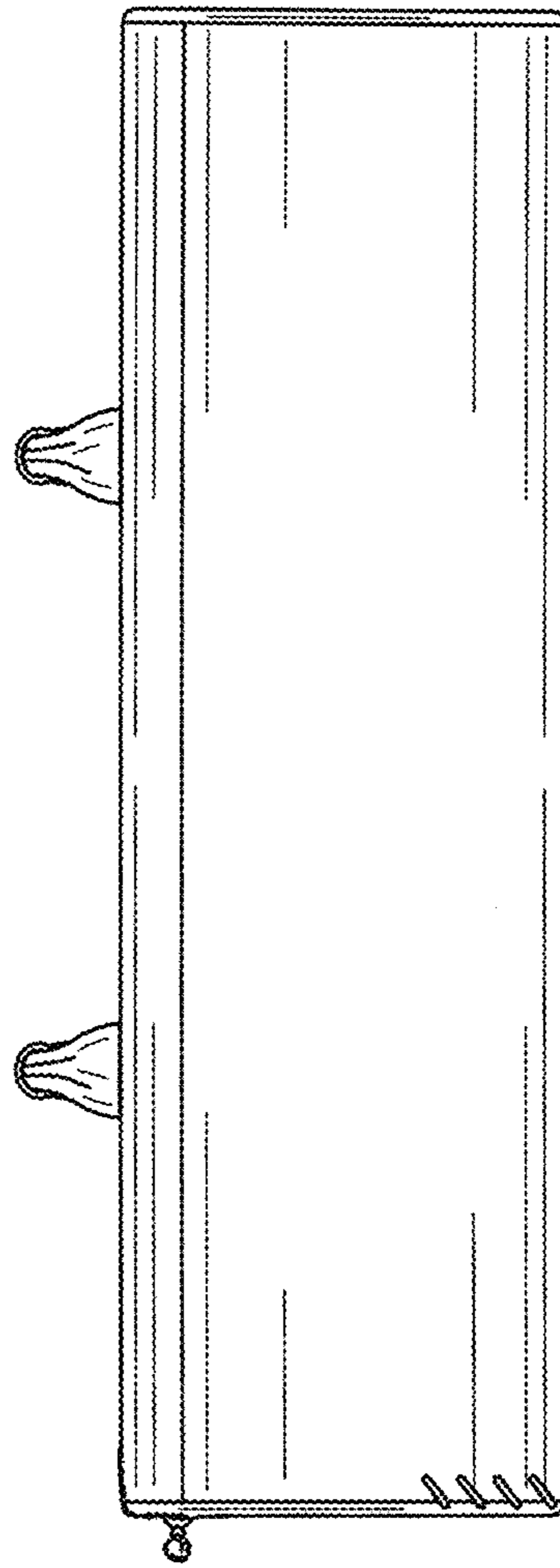


FIG. 7