



US00D792530S

(12) **United States Design Patent**
Hendricks

(10) **Patent No.:** **US D792,530 S**
(45) **Date of Patent:** **** Jul. 18, 2017**

(54) **ELLIPTICAL EXERCISE MACHINE**

5,383,829 A 1/1995 Miller
5,499,956 A 3/1996 Habing et al.
5,518,473 A 5/1996 Miller
5,529,555 A 6/1996 Rodgers, Jr.

(71) Applicant: **Nautilus, Inc.**, Vancouver, WA (US)

(72) Inventor: **Kevin M. Hendricks**, Portland, OR (US)

(Continued)

(73) Assignee: **NAUTILUS, INC.**, Vancouver, WA (US)

OTHER PUBLICATIONS

Bowflex Max Trainer M7 by Bowflex dated Feb. 5, 2016. Found online [Nov. 4, 2016] <https://www.youtube.com/watch?v=VaeRjre0RIM>.*

(**) Term: **15 Years**

(Continued)

(21) Appl. No.: **29/540,808**

Primary Examiner — Robert M Spear

(22) Filed: **Sep. 28, 2015**

Assistant Examiner — Ryan Harvey

(51) **LOC (10) Cl.** **21-02**

(74) *Attorney, Agent, or Firm* — Dorsey & Whitney LLP

(52) **U.S. Cl.**

(57) **CLAIM**

USPC **D21/668**

I claim the ornamental design for an elliptical exercise machine, as shown and described.

(58) **Field of Classification Search**

DESCRIPTION

USPC 482/142, 53, 79, 132, 147, 908, 49, 123, 482/129, 128, 127, 138, 112, 80, 146, 482/130, 118, 34, 126, 51; 601/32, 105, 601/148, 152, 27, 29, 46; D21/688, 668, D21/670, 697, 694, 685, 673, 671; 188/83; D24/188, 212, 215; D6/349, D6/351

FIG. 1 shows a top front isometric view of an elliptical exercise machine in accordance with the present design.

FIG. 2 shows a top rear isometric view of the elliptical exercise machine of FIG. 1.

CPC . A63B 23/08; A63B 21/0552; A63B 21/4015; A63B 21/0442; A63B 21/0557; A63B 2208/0204

FIG. 3 shows a left side elevation view of the elliptical exercise machine of FIG. 1.

FIG. 4 shows a right side elevation view of the elliptical exercise machine of FIG. 1.

See application file for complete search history.

FIG. 5 shows a rear elevation view of the elliptical exercise machine of FIG. 1.

(56) **References Cited**

U.S. PATENT DOCUMENTS

219,439 A 9/1879 Blend
3,134,378 A 5/1964 Harwood
3,213,852 A 10/1965 Zent
3,964,742 A 6/1976 Carnielli
4,880,225 A 11/1989 Lucas et al.
5,048,824 A 9/1991 Chen
5,242,343 A 9/1993 Miller
5,290,211 A 3/1994 Stearns
5,290,212 A 3/1994 Metcalf

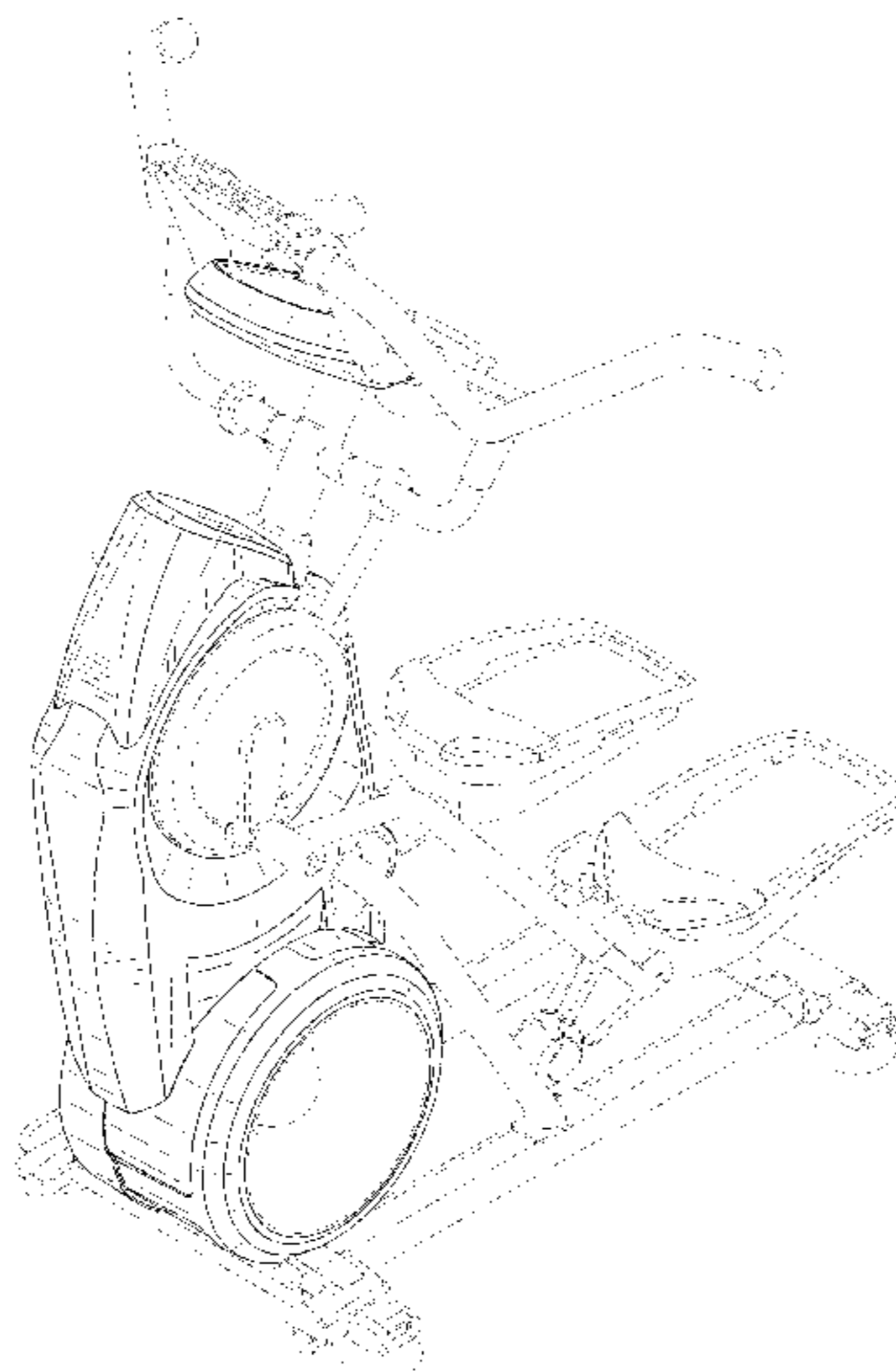
FIG. 6 shows a front elevation view of the elliptical exercise machine of FIG. 1.

FIG. 7 shows a top plan view of the elliptical exercise machine of FIG. 1; and,

FIG. 8 shows a bottom plan view of the elliptical exercise machine of FIG. 1.

The broken lines illustrate portions of the elliptical exercise machine that form no part of the claimed design.

1 Claim, 8 Drawing Sheets



(56)

References Cited

U.S. PATENT DOCUMENTS

5,540,637 A 7/1996 Rodgers, Jr.
 5,549,526 A 8/1996 Rodgers, Jr.
 5,562,574 A 10/1996 Miller
 5,573,480 A 11/1996 Rodgers, Jr.
 5,577,985 A 11/1996 Miller
 5,593,371 A 1/1997 Rodgers, Jr.
 5,593,372 A 1/1997 Rodgers, Jr.
 5,595,553 A 1/1997 Rodgers, Jr.
 5,611,758 A 3/1997 Rodgers, Jr.
 5,653,662 A 8/1997 Rodgers, Jr.
 5,683,330 A 11/1997 Kobayashi
 5,685,804 A 11/1997 Whan-Tong et al.
 5,690,589 A 11/1997 Rodgers, Jr.
 5,707,321 A 1/1998 Maresh
 5,738,614 A 4/1998 Rodgers, Jr.
 5,743,834 A 4/1998 Rodgers, Jr.
 5,795,270 A 8/1998 Woods et al.
 5,836,855 A 11/1998 Eschenbach
 5,997,445 A 12/1999 Maresh et al.
 6,024,676 A 2/2000 Eschenbach
 6,206,806 B1 3/2001 Chu
 6,422,977 B1 7/2002 Eschenbach
 D512,112 S * 11/2005 Nagano D21/668
 7,086,993 B1 8/2006 Maresh
 7,201,705 B2 4/2007 Rodgers, Jr.
 7,238,146 B1 7/2007 Chen
 D559,925 S * 1/2008 Horita D21/668
 D565,129 S * 3/2008 Chang D21/668
 D567,310 S * 4/2008 Chen D21/668
 D567,314 S * 4/2008 Horita D21/694
 7,377,879 B1 * 5/2008 Chen A63B 22/001
 482/139
 D575,363 S * 8/2008 Horita D21/694
 7,448,986 B1 * 11/2008 Porth A63B 22/001
 482/52
 7,462,134 B2 12/2008 Lull et al.
 7,556,591 B2 7/2009 Chuang et al.
 7,591,761 B1 9/2009 Ellis
 7,611,446 B2 11/2009 Chuang et al.
 D606,599 S * 12/2009 Murray D21/668
 7,666,122 B2 * 2/2010 Chiles A63B 22/001
 482/51
 7,736,278 B2 6/2010 Lull et al.
 7,785,235 B2 8/2010 Lull et al.
 7,789,808 B2 9/2010 Lee et al.
 7,811,206 B2 10/2010 Chuang et al.
 D703,278 S * 4/2014 Horita D21/668
 8,734,298 B2 * 5/2014 Murray A63B 22/001
 482/51
 8,926,478 B2 * 1/2015 Huang A63B 22/001
 482/51
 8,979,713 B2 * 3/2015 Huang A63B 22/04
 482/51

9,056,217 B2 * 6/2015 Kao A63B 21/15
 9,061,174 B2 6/2015 Jun
 9,199,115 B2 * 12/2015 Yim A63B 22/001
 9,254,414 B2 * 2/2016 Liu A63B 22/0664
 2003/0096677 A1 5/2003 Chu
 2005/0181911 A1 8/2005 Porth
 2006/0079381 A1 * 4/2006 Cornejo A63B 22/0007
 482/52
 2006/0166791 A1 * 7/2006 Liao A63B 22/001
 482/52
 2006/0172865 A1 * 8/2006 Dey A63B 22/0007
 482/52
 2006/0293153 A1 12/2006 Porth et al.
 2007/0129219 A1 6/2007 Mahleberg
 2007/0254778 A1 * 11/2007 Ashby A63B 22/001
 482/5
 2008/0161163 A1 * 7/2008 Stewart A63B 21/0051
 482/51
 2008/0207400 A1 8/2008 Liao Lai
 2008/0220947 A1 9/2008 Meng
 2008/0280731 A1 * 11/2008 Dalebout A63B 21/02
 482/52
 2009/0011904 A1 1/2009 Chuang et al.
 2009/0093346 A1 4/2009 Nelson et al.
 2009/0124463 A1 * 5/2009 Chen A63B 22/001
 482/52
 2009/0203501 A1 8/2009 Rodgers, Jr.
 2009/0312156 A1 * 12/2009 Chen A63B 22/001
 482/52
 2010/0167877 A1 7/2010 Grind
 2010/0190613 A1 * 7/2010 Murray A63B 21/15
 482/52
 2010/0234185 A1 9/2010 Watt et al.
 2012/0088635 A1 * 4/2012 Lee A63B 21/225
 482/52
 2013/0012363 A1 1/2013 Eschenbach
 2013/0085042 A1 * 4/2013 Huang A63B 22/04
 482/52
 2013/0237379 A1 * 9/2013 Huang A63B 22/001
 482/52
 2014/0194253 A1 * 7/2014 Huang A63B 22/001
 482/52
 2014/0248998 A1 9/2014 Lu et al.
 2014/0274575 A1 9/2014 Yim et al.
 2015/0238809 A1 * 8/2015 Huang A63B 21/225
 482/57
 2016/0008658 A1 1/2016 Yim et al.

OTHER PUBLICATIONS

“PCT International Search Report and Written Opinion”, PCT International Search Report and Written Opinion dated Oct. 14, 2014, Application No. PCT/US2014/030875, 13 pages.

* cited by examiner

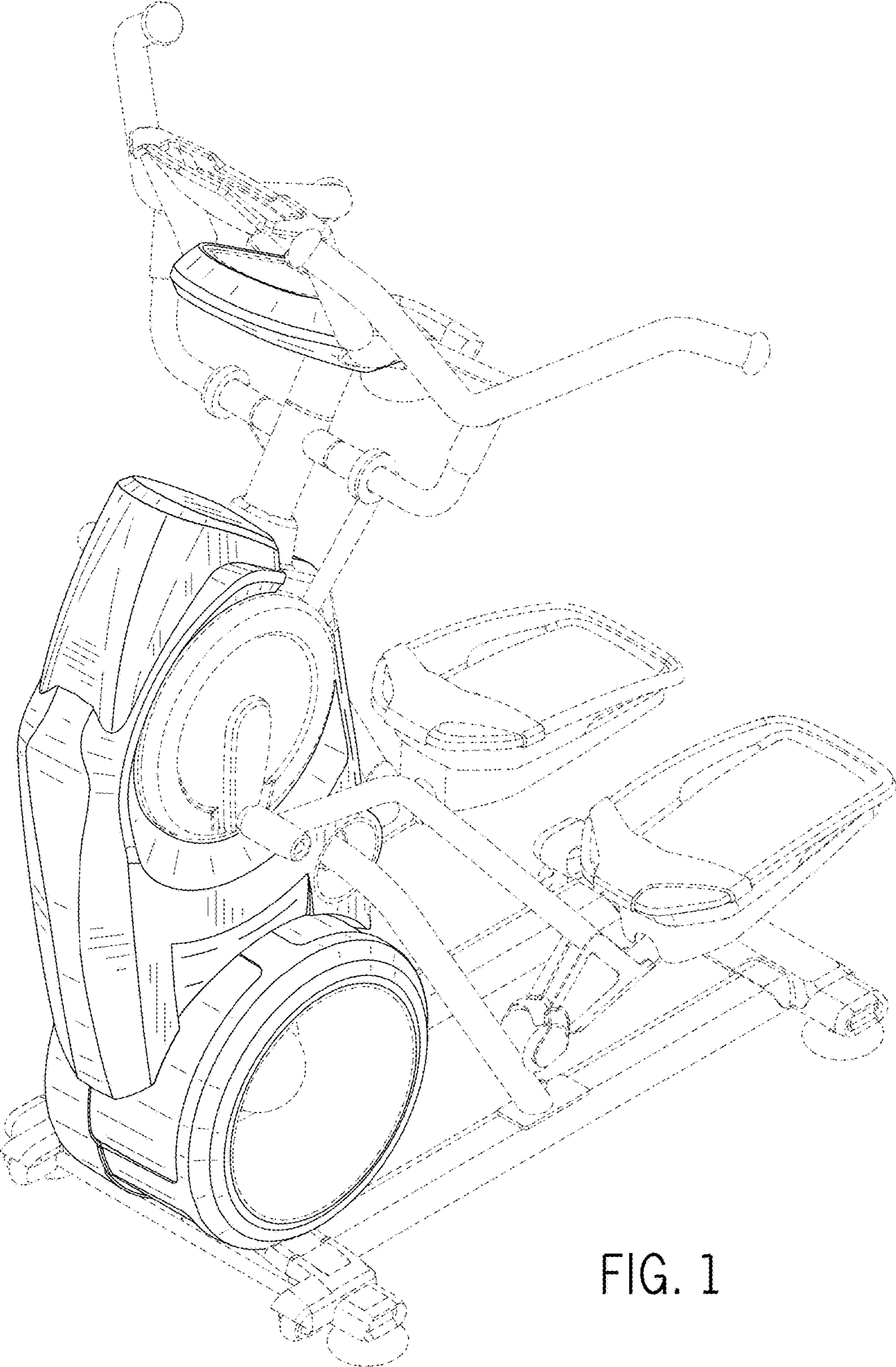


FIG. 1

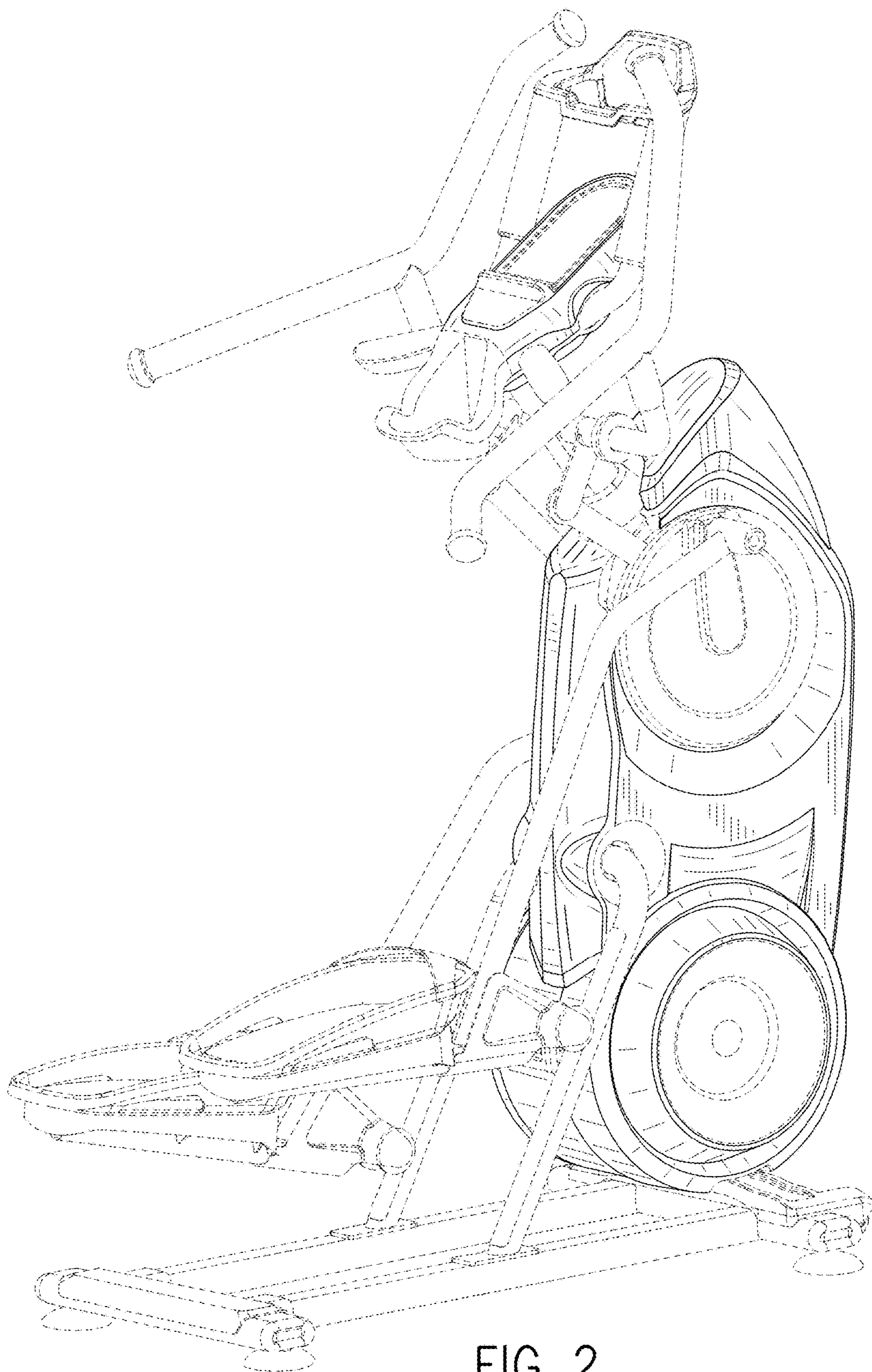


FIG. 2

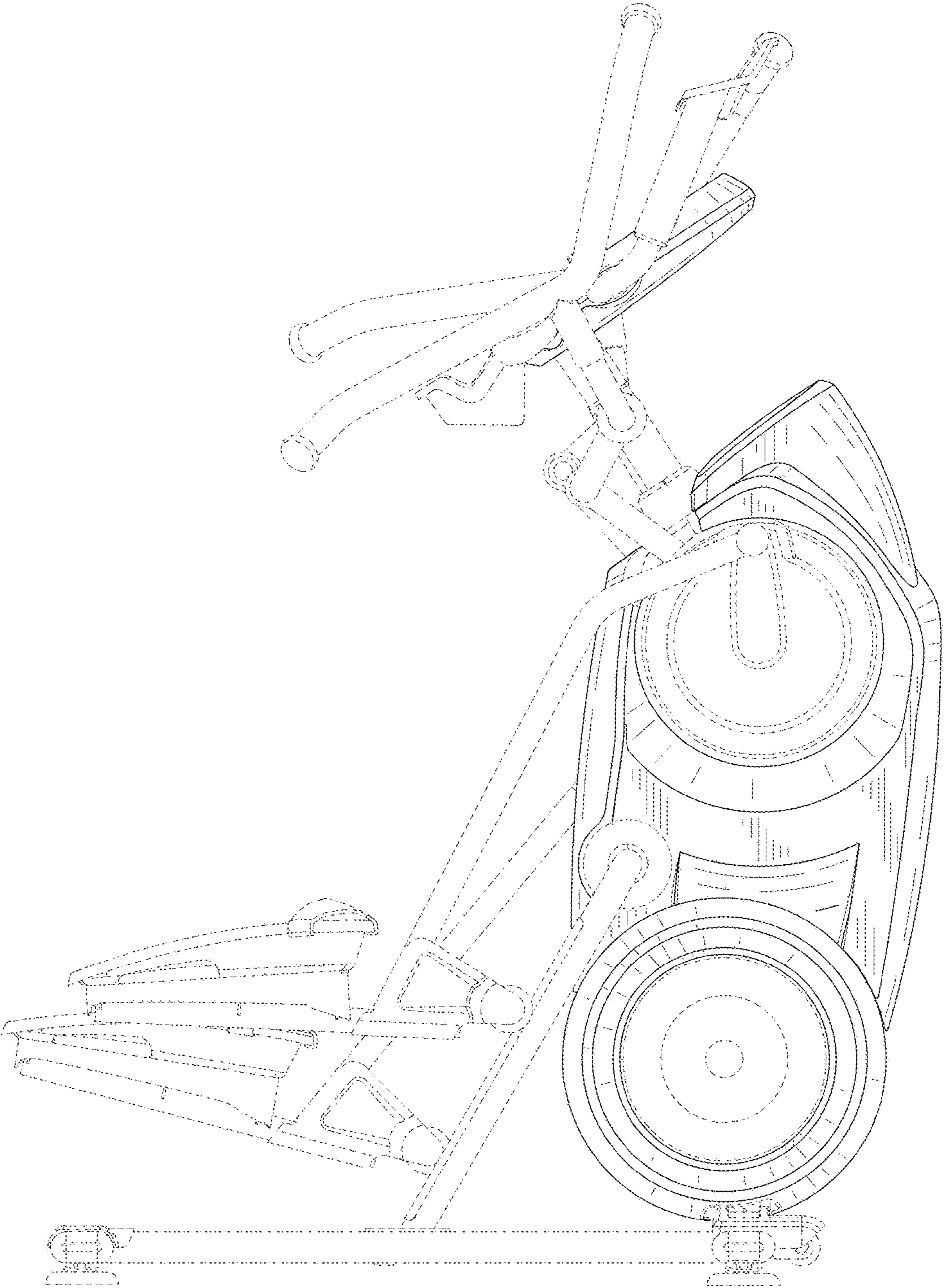


FIG. 3

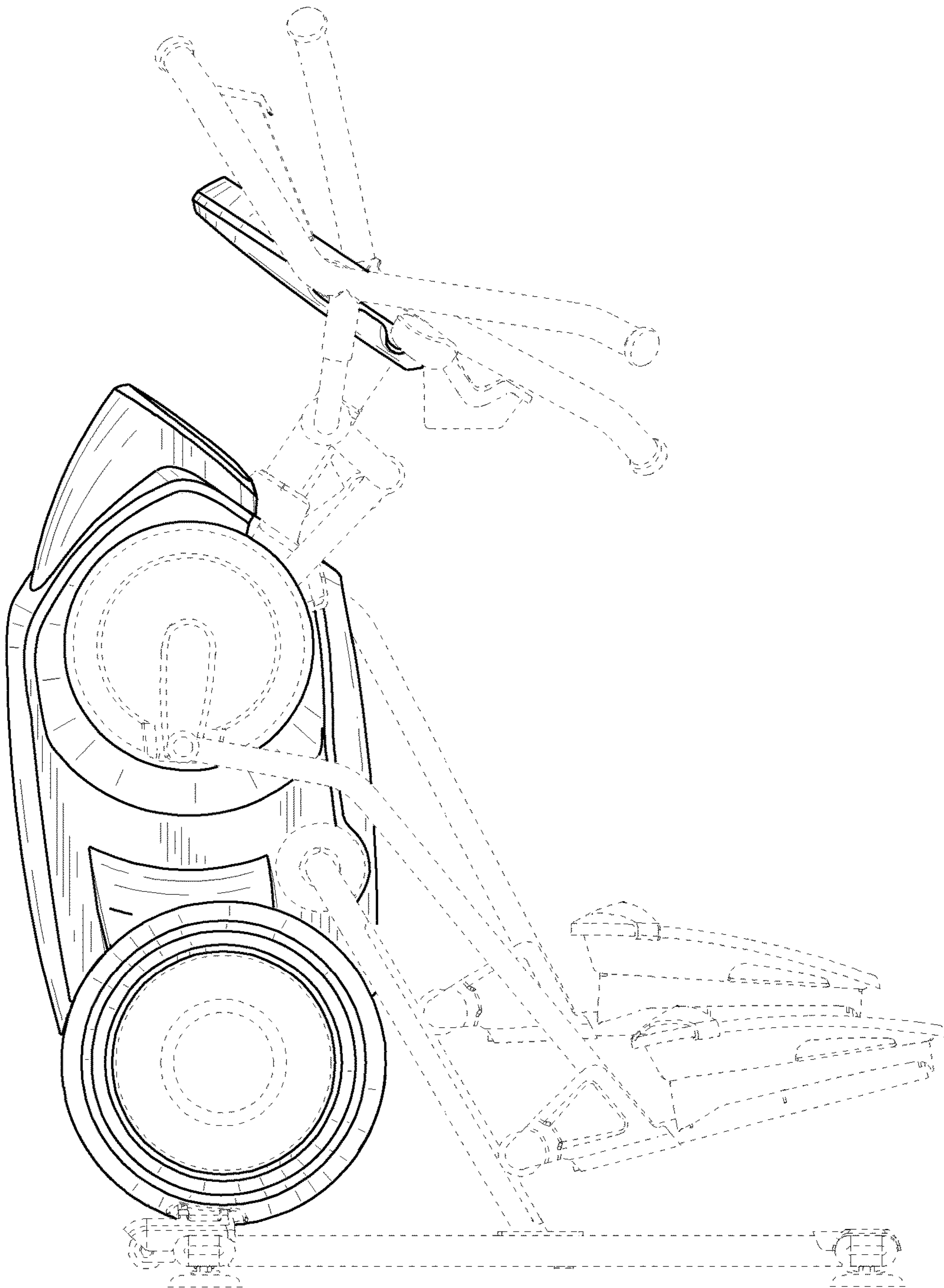


FIG. 4

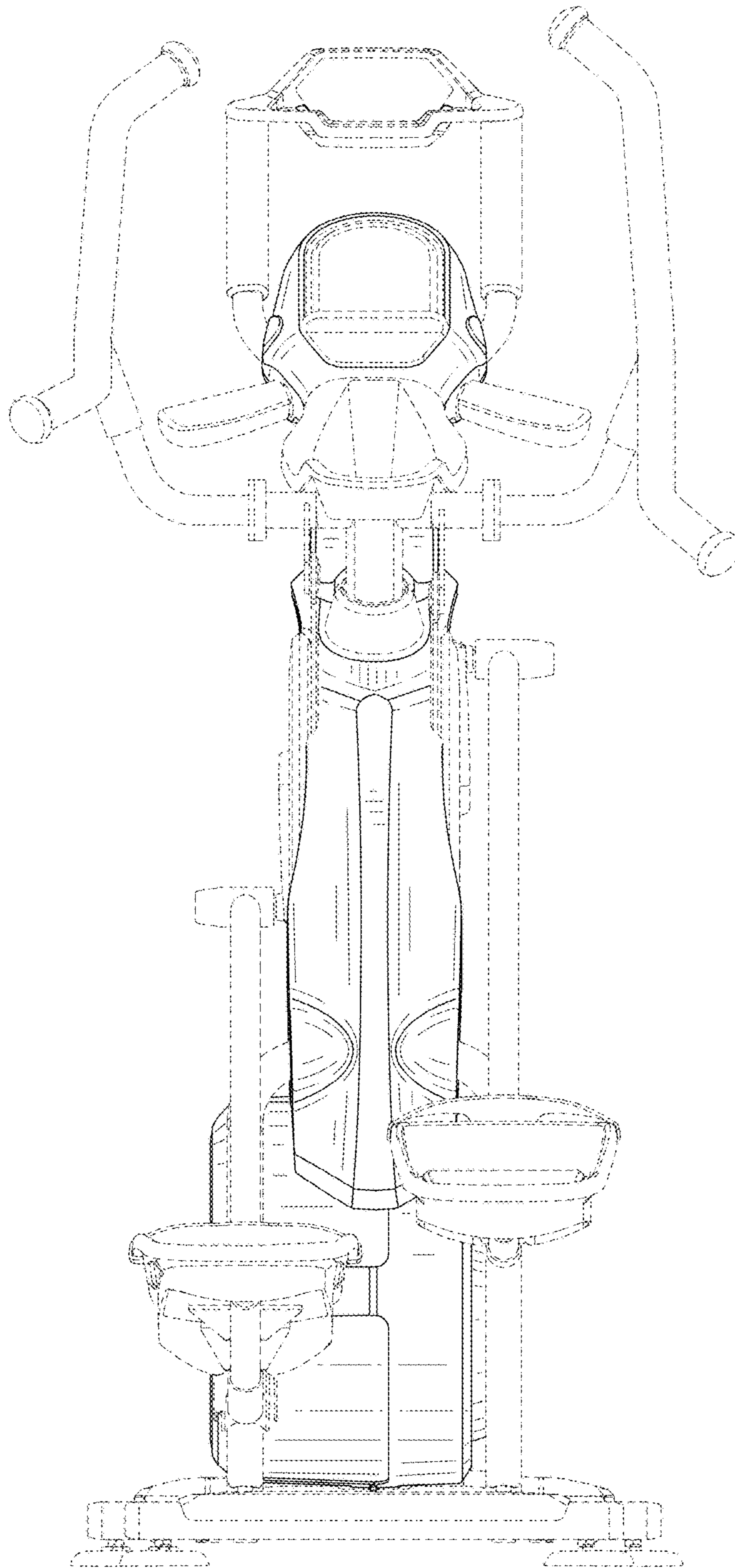


FIG. 5

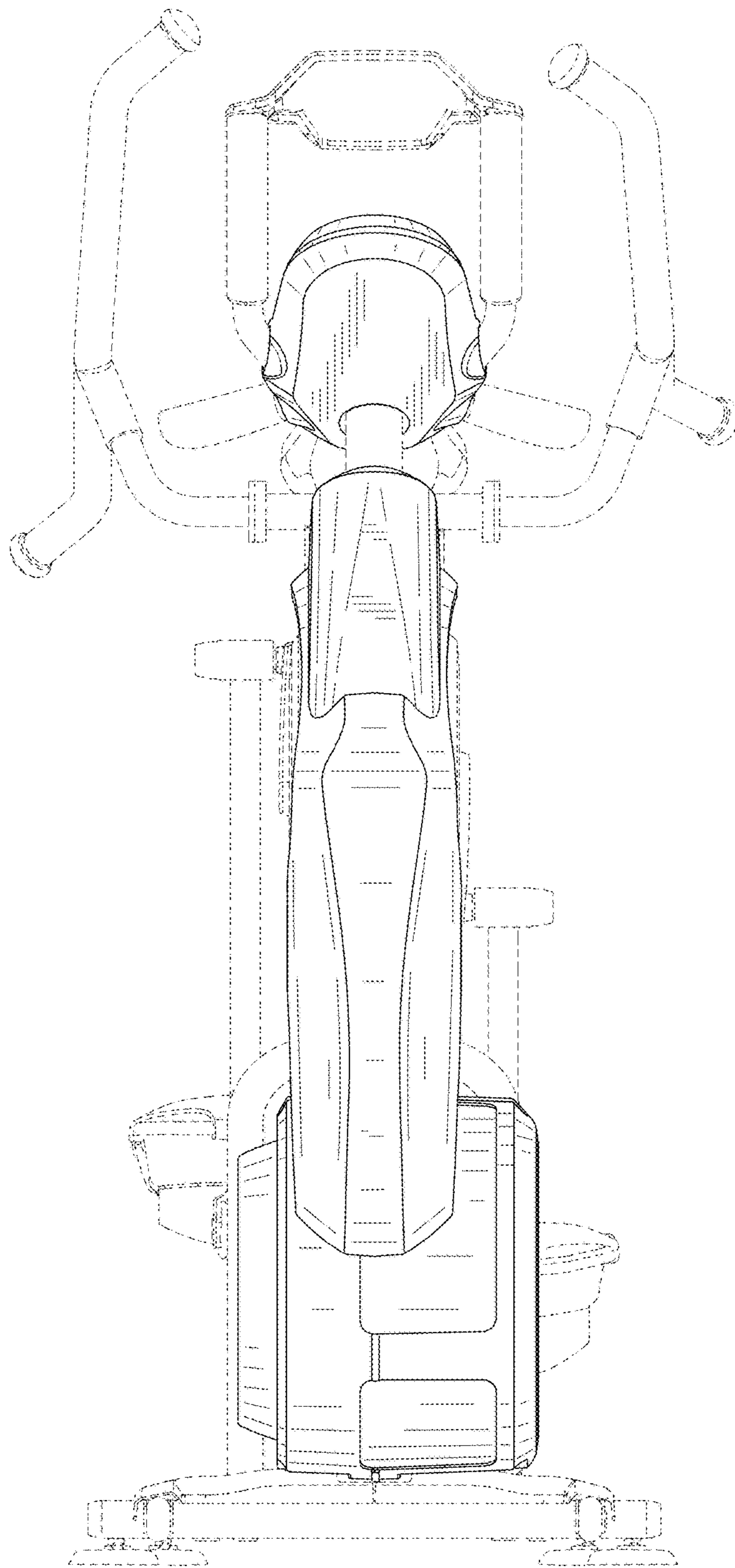


FIG. 6

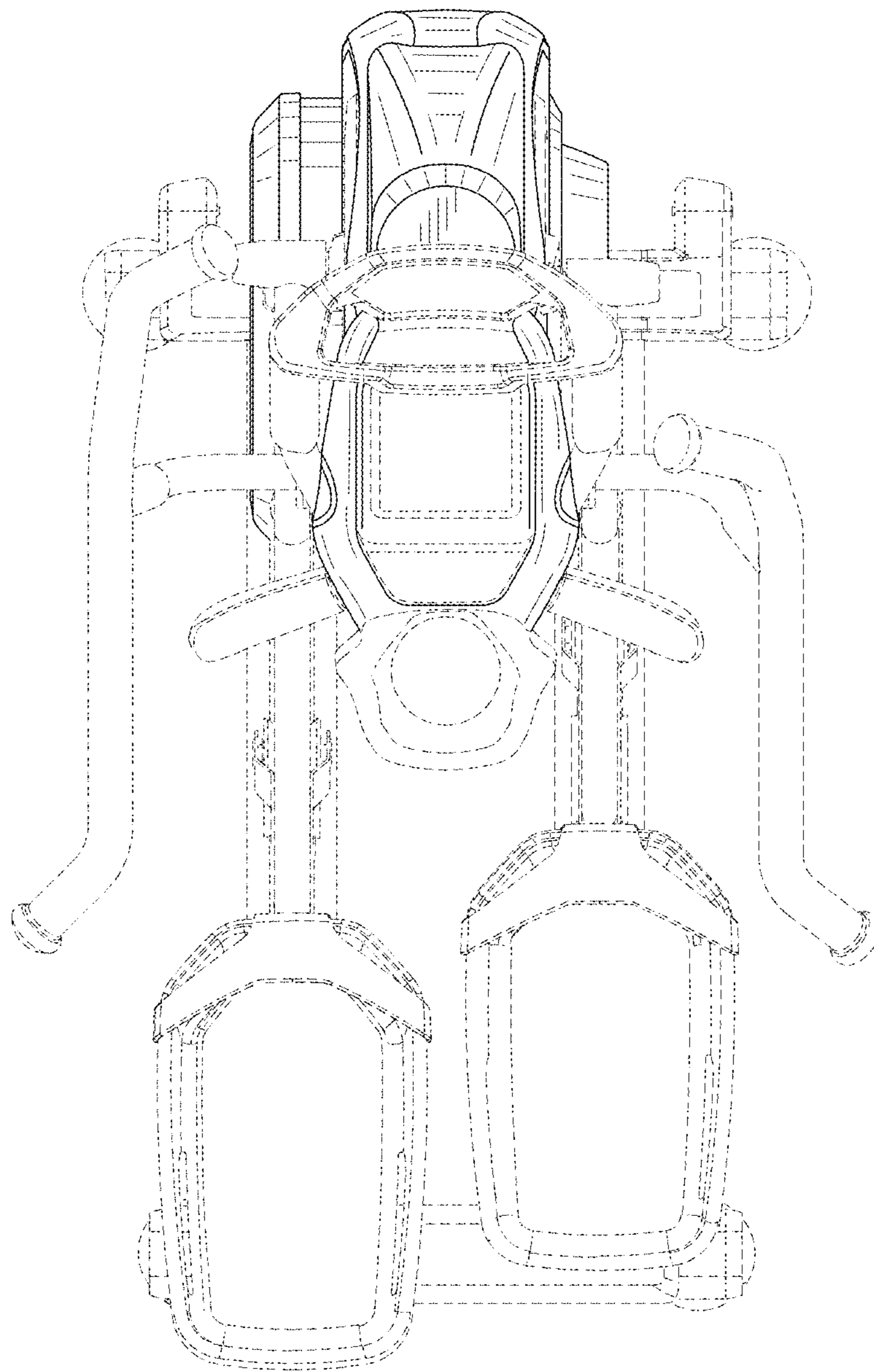


FIG. 7

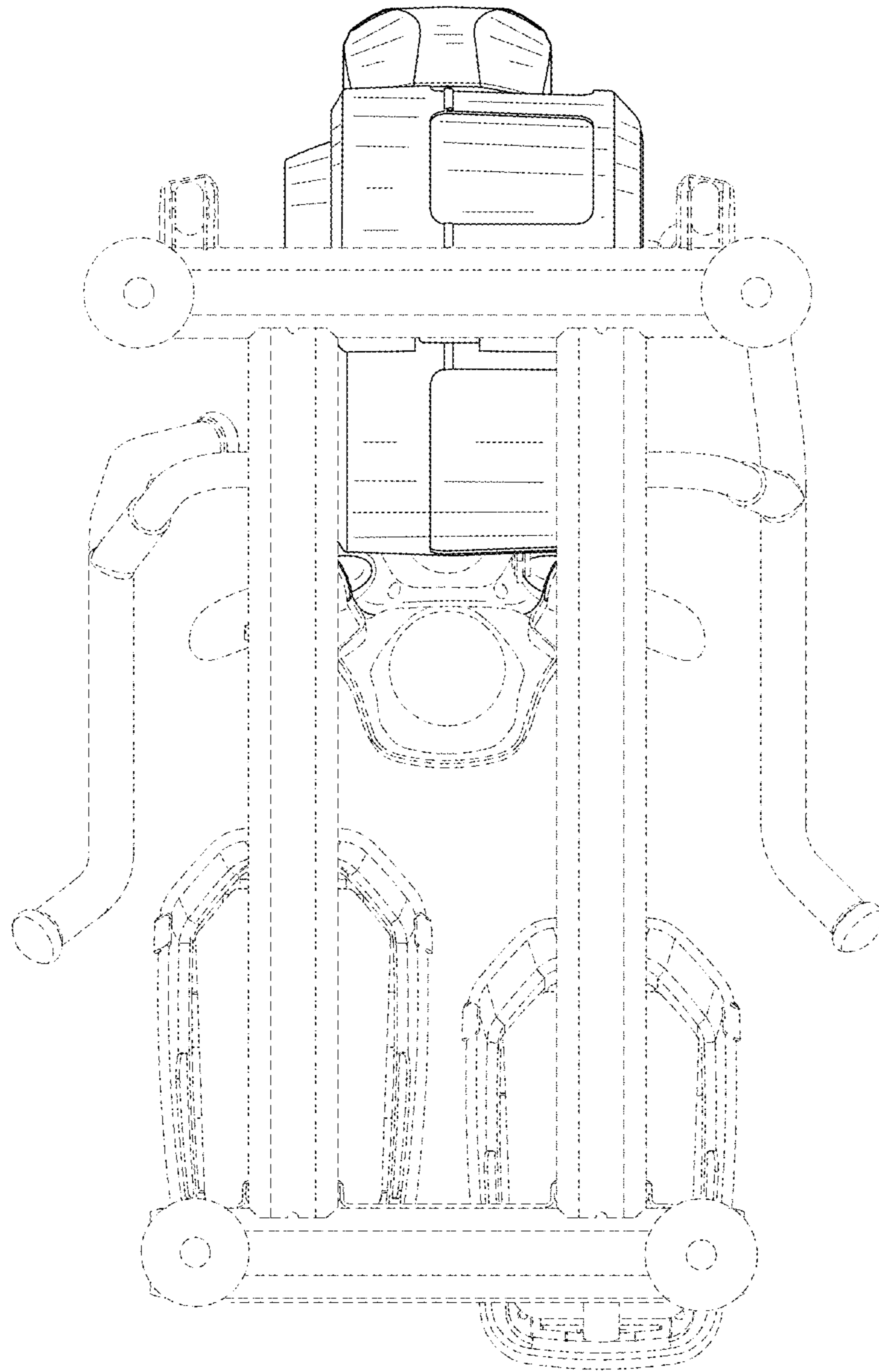


FIG. 8