



US00D792529S

(12) **United States Design Patent**
Liu

(10) **Patent No.:** **US D792,529 S**
(45) **Date of Patent:** **** Jul. 18, 2017**

(54) **BIKE TRAINER STAND**
(71) Applicant: **Cheh-Kang Liu**, Taipei (TW)
(72) Inventor: **Cheh-Kang Liu**, Taipei (TW)
(**) Term: **15 Years**
(21) Appl. No.: **29/541,201**
(22) Filed: **Oct. 1, 2015**
(51) **LOC (10) Cl.** **21-02**
(52) **U.S. Cl.**
USPC **D21/664**
(58) **Field of Classification Search**
USPC D21/663, 667, 666, 697, 694, 665, 668,
D21/664, 690, 676; 482/61, 57, 58, 127,
482/133, 51, 9, 60, 904, 8, 1, 900, 63,
482/908, 59, 62, 64, 53, 91, 103, 131,
482/142, 907, 130; 74/502.4, 502.6,
74/594.2, 594.1, 48; D12/178, 411, 345;
D23/382, 381, 378, 412, 411; D13/115;
D15/7
CPC . A63B 22/0605; A63B 21/225; A63B 22/001;
A63B 22/0664; A63B 2225/09; A63B
2022/0676; A63B 2022/067; A63B
21/015; A63B 2022/0652; Y10T 74/2164
See application file for complete search history.

(56) **References Cited**

U.S. PATENT DOCUMENTS

4,768,782 A * 9/1988 Blackburn A63B 69/16
482/59
4,969,642 A * 11/1990 Phillips A63B 69/16
434/61
5,026,047 A * 6/1991 Kosecoff A63B 69/16
434/61
D334,038 S * 3/1993 Case D21/664
5,468,201 A * 11/1995 Minoura A63B 21/0051
482/61

5,611,759 A * 3/1997 Zeh A63B 69/16
482/112
5,728,029 A * 3/1998 Minoura A63B 21/0051
482/61
5,800,316 A * 9/1998 Huang A63B 21/015
482/61
5,916,068 A * 6/1999 Chisholm A63B 69/16
188/290
5,944,637 A * 8/1999 Stickler A63B 69/16
482/112
6,019,708 A * 2/2000 Kaminski F16D 7/048
188/71.9
6,203,472 B1 * 3/2001 McCaffrey A63B 69/16
434/61
6,361,477 B1 * 3/2002 Kolda A63B 21/008
188/290

(Continued)

Primary Examiner — Robert M Spear
Assistant Examiner — Ryan Harvey
(74) *Attorney, Agent, or Firm* — Jackson IPG PLLC;
Demian K. Jackson

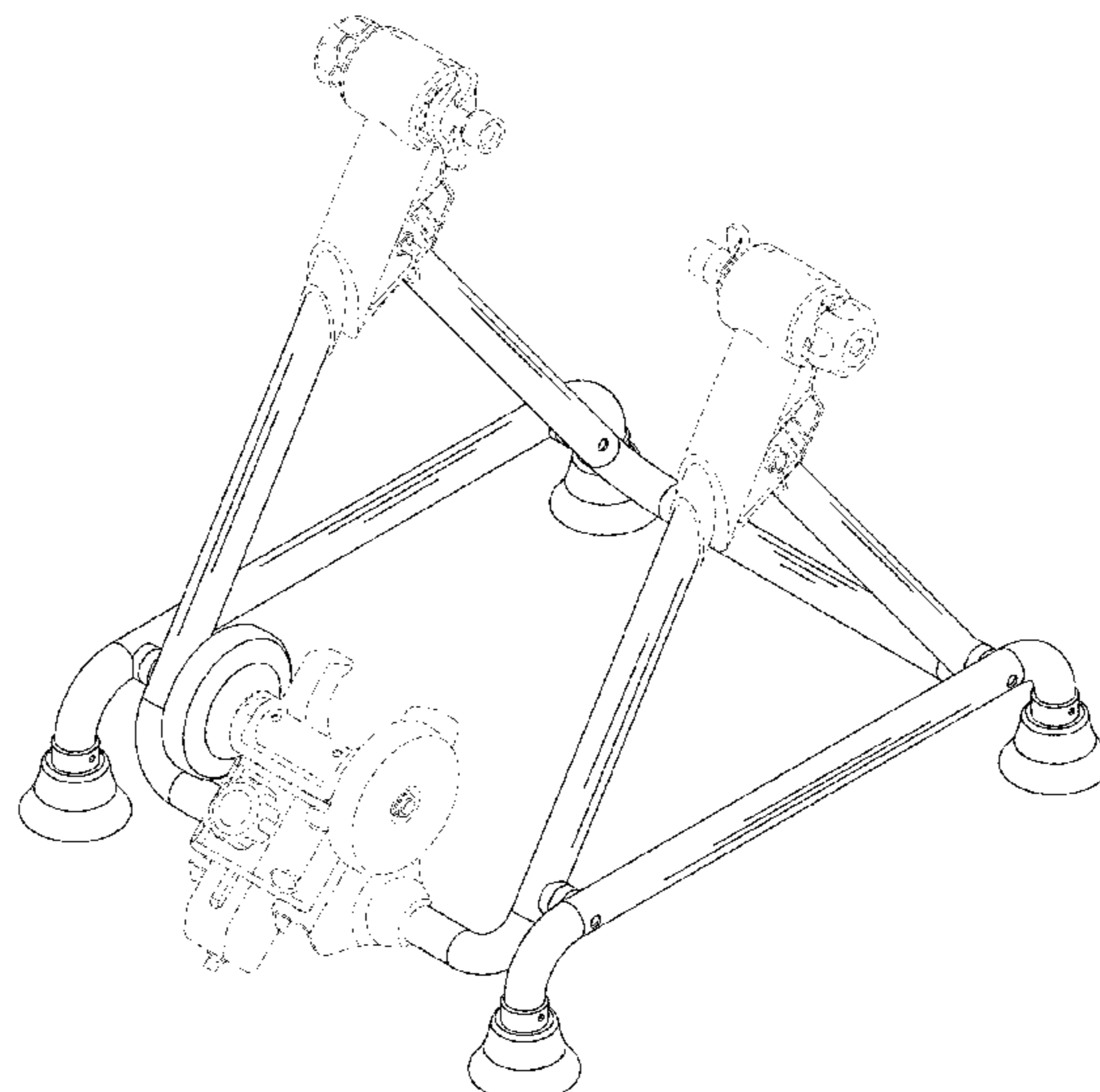
(57) **CLAIM**

The ornamental design for a bike trainer stand, as shown and described.

DESCRIPTION

FIG. 1 is a perspective view of a bike trainer stand showing my new design;
FIG. 2 is a front elevational view thereof;
FIG. 3 is a rear elevational view thereof;
FIG. 4 is a left side elevational view thereof;
FIG. 5 is a right side elevational view thereof;
FIG. 6 is a top plan view thereof;
FIG. 7 is a bottom plan view thereof
FIG. 8 is a perspective view from bottom; and,
FIG. 9 is a perspective view of the bike trainer stand in a folded position.
Those portions of the illustrated design indicated by broken line form no part of the claimed design.

1 Claim, 9 Drawing Sheets



(56)

References Cited

U.S. PATENT DOCUMENTS

6,551,220 B1 *	4/2003	Schroeder	A63B 21/15	482/57	7,686,742 B2 *	3/2010	Tischler	A63B 71/00	108/8
6,620,081 B2 *	9/2003	Phillips	A63B 21/015	482/57	D617,855 S *	6/2010	Leier	D21/686	
6,702,721 B2 *	3/2004	Schroeder	A63B 69/16	482/57	7,727,124 B1 *	6/2010	Lassanske	A63B 69/16	482/61
6,780,143 B2 *	8/2004	Copeland	A63B 69/16	482/61	D647,982 S *	11/2011	Hilgart	D21/664	
6,945,916 B2 *	9/2005	Schroeder	A63B 21/15	482/57	D650,025 S *	12/2011	Leier	D21/691	
6,945,917 B1 *	9/2005	Baatz	A63B 21/0051	482/57	D650,026 S *	12/2011	Leier	D21/691	
6,964,633 B2 *	11/2005	Kolda	A63B 21/0051	482/63	D663,794 S *	7/2012	Bingham	D21/663	
7,101,320 B2 *	9/2006	Qiu	A63B 21/0051	482/57	9,050,494 B2 *	6/2015	Bass	A63B 69/16	
D593,625 S *	6/2009	Pedrini	D21/664		9,108,077 B2 *	8/2015	Bass	A63B 21/015	
						9,333,389 B2 *	5/2016	Lin	A63B 22/0605	
						2003/0051952 A1 *	3/2003	Mercante	A63B 21/0051	188/267
						2004/0053751 A1 *	3/2004	Pizolato	A63B 22/16	482/61
						2004/0106505 A1 *	6/2004	Qiu	A63B 21/225	482/61
						2006/0144804 A1 *	7/2006	Chiu	A63B 69/16	211/20

* cited by examiner

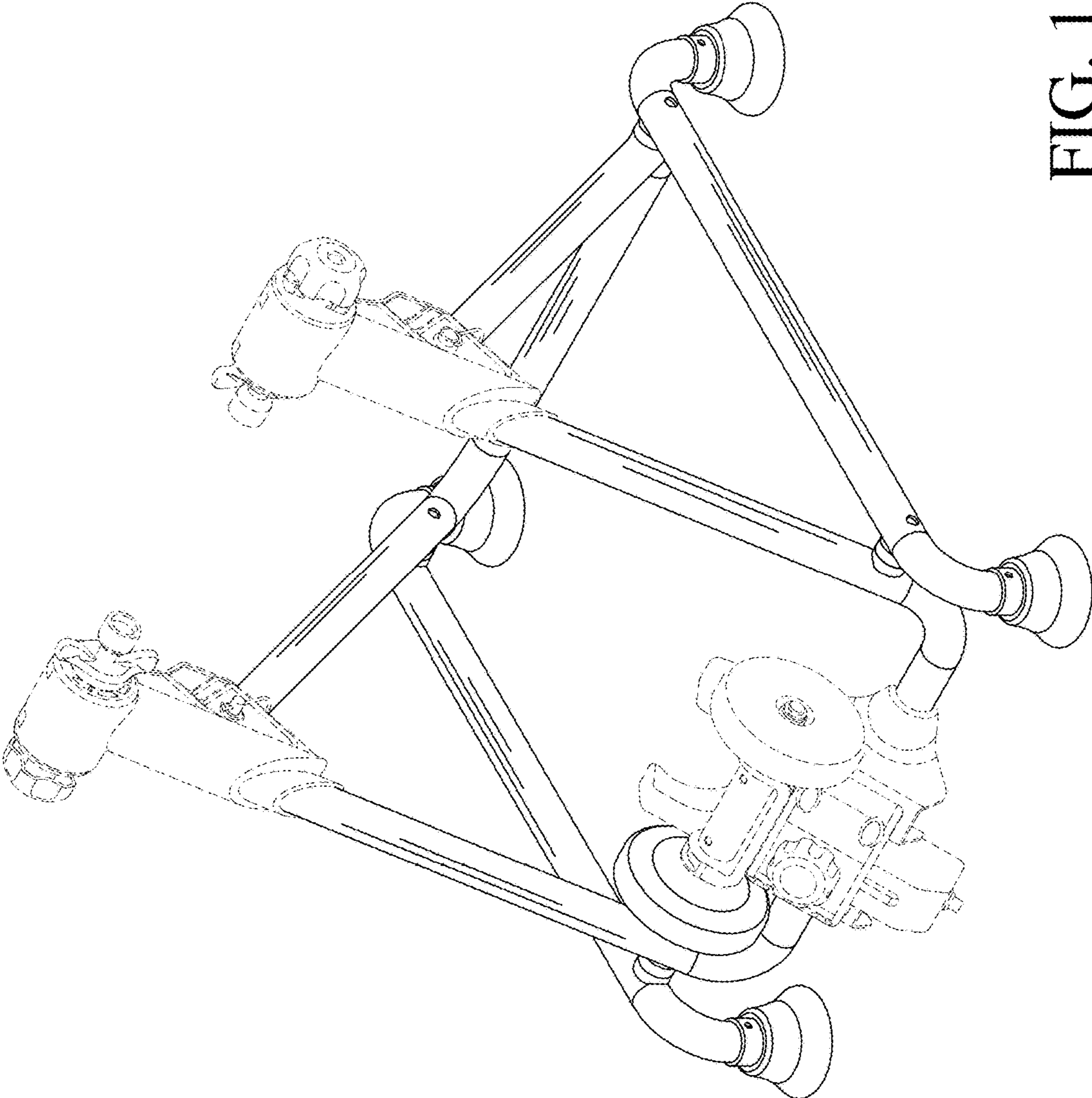


FIG. 1

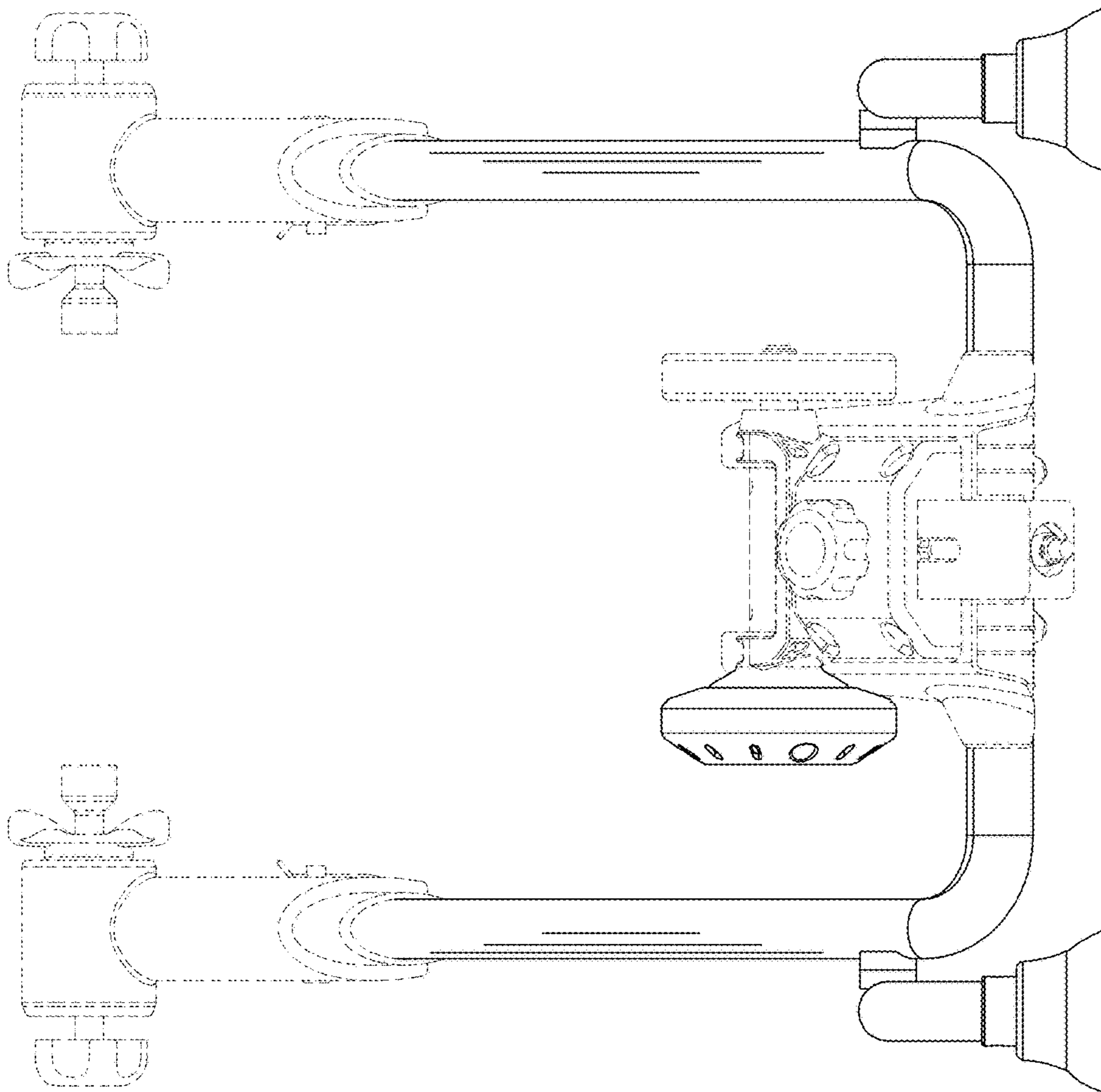


FIG. 2

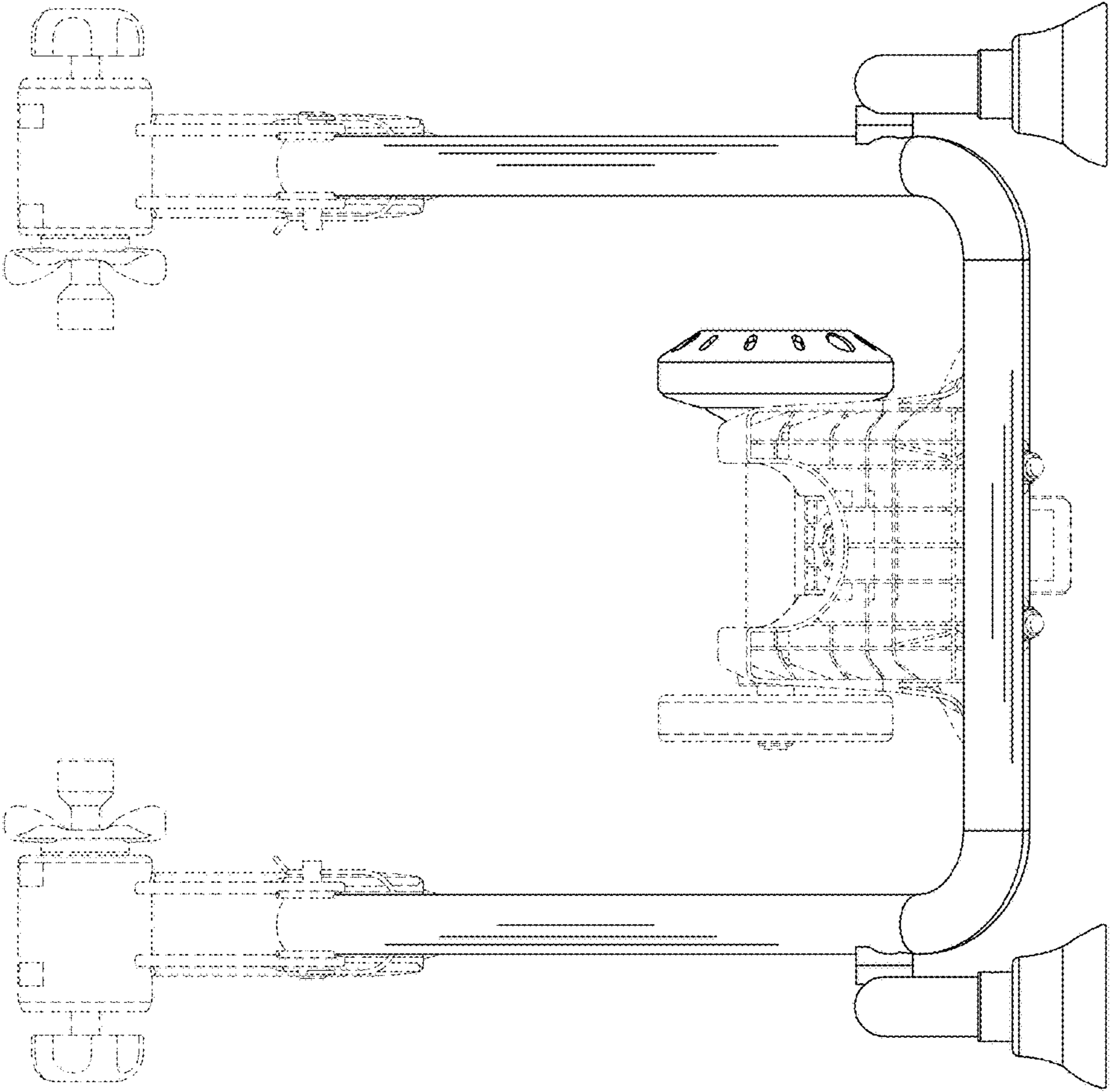


FIG. 3

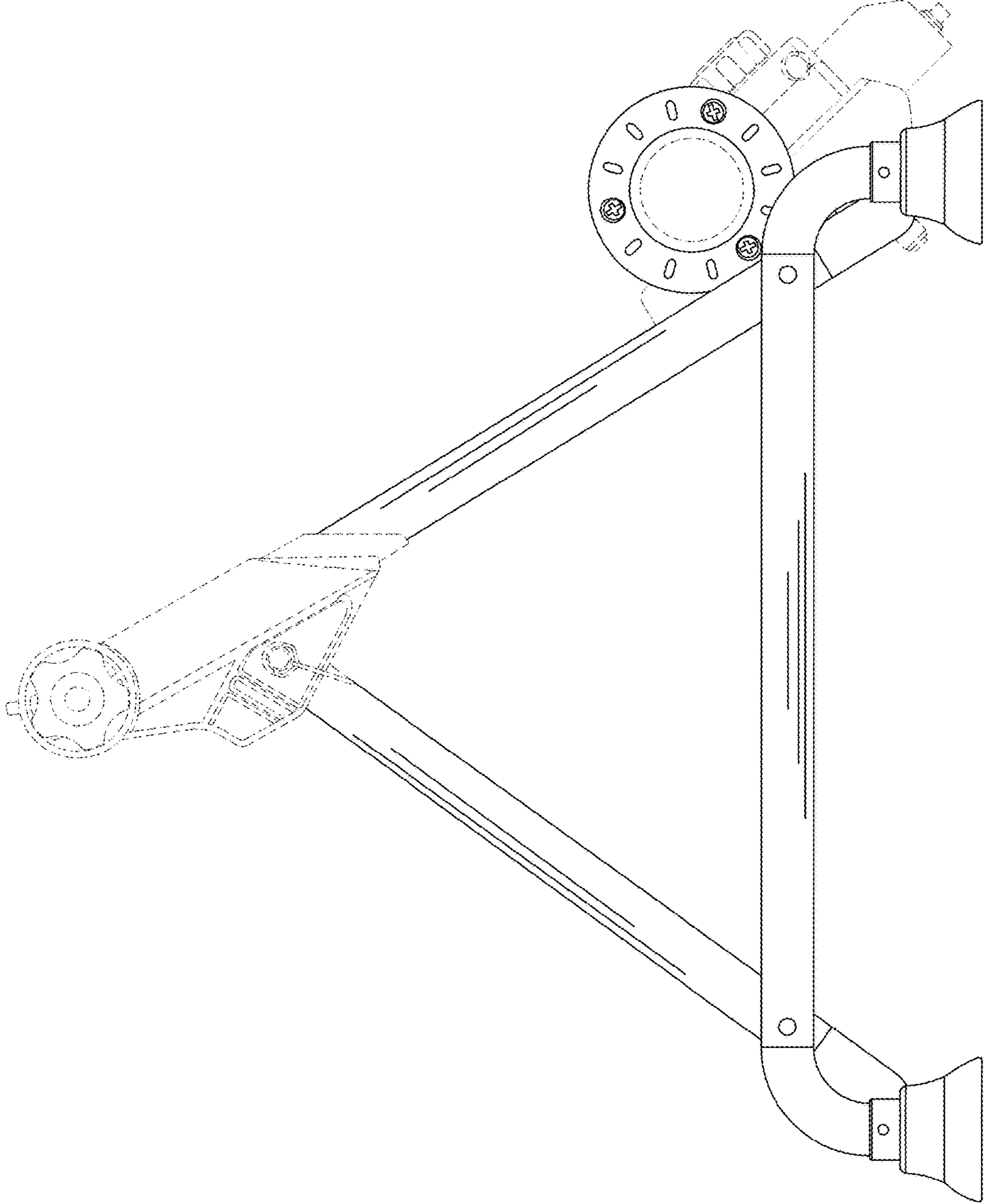


FIG. 4

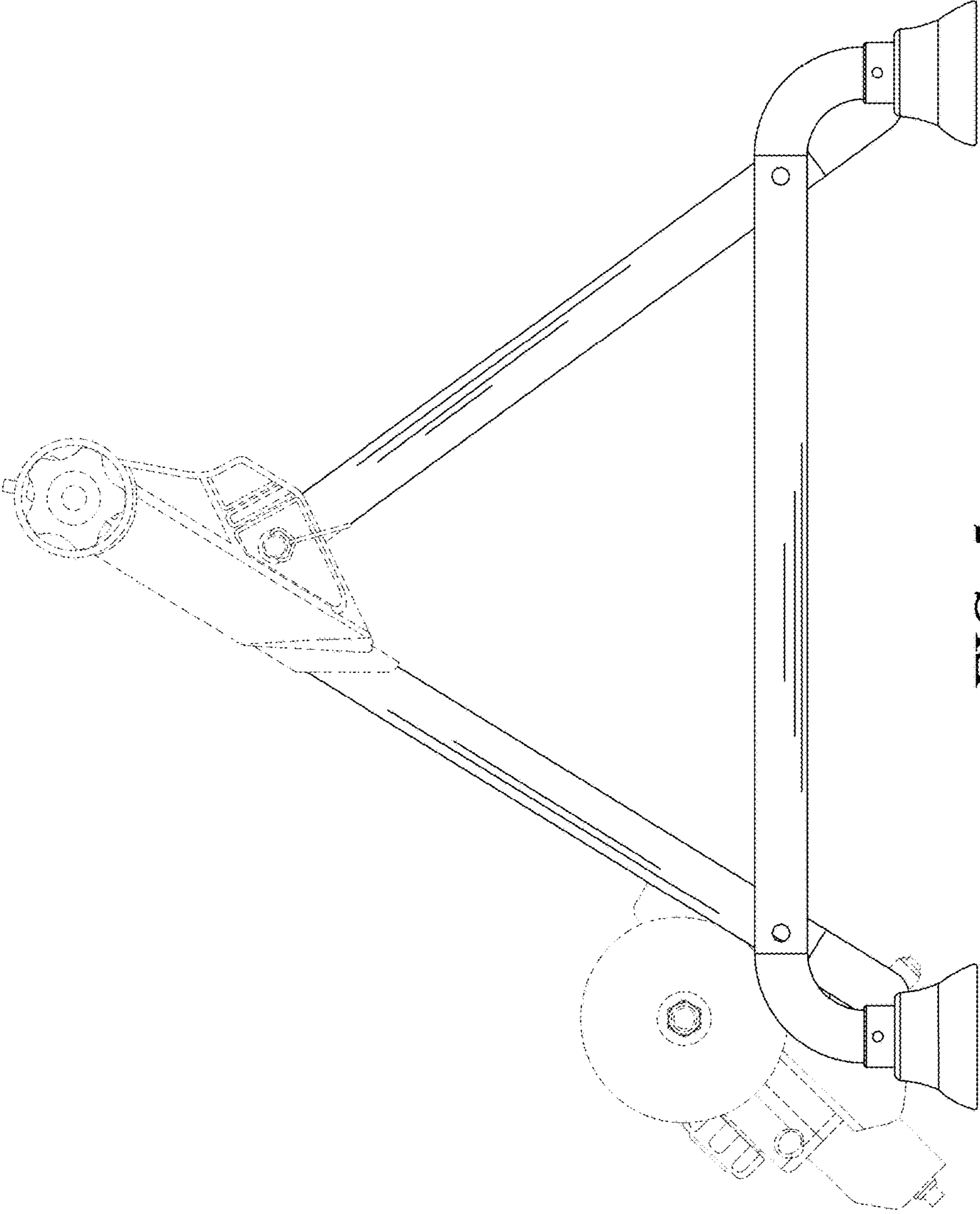


FIG. 5

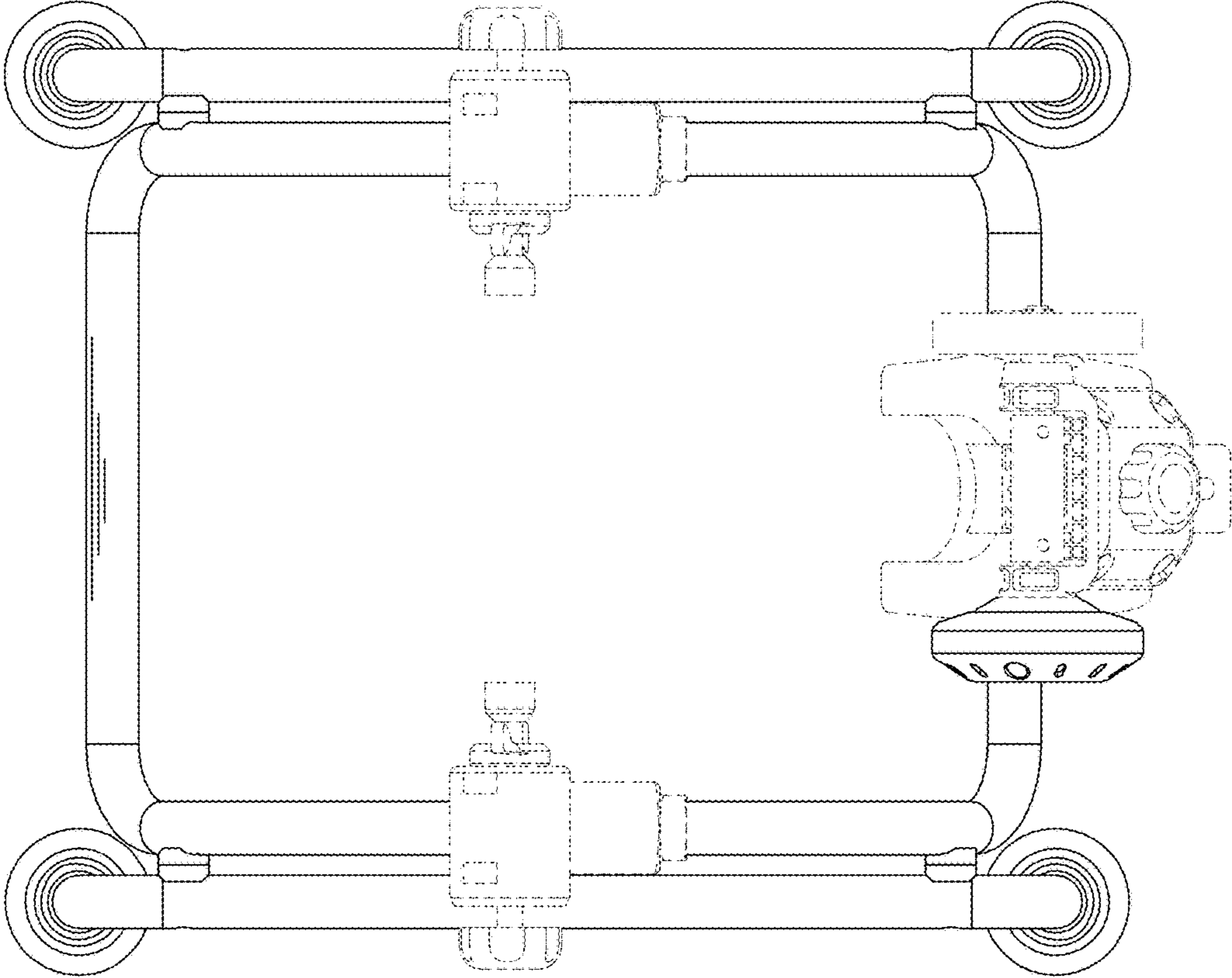


FIG. 6

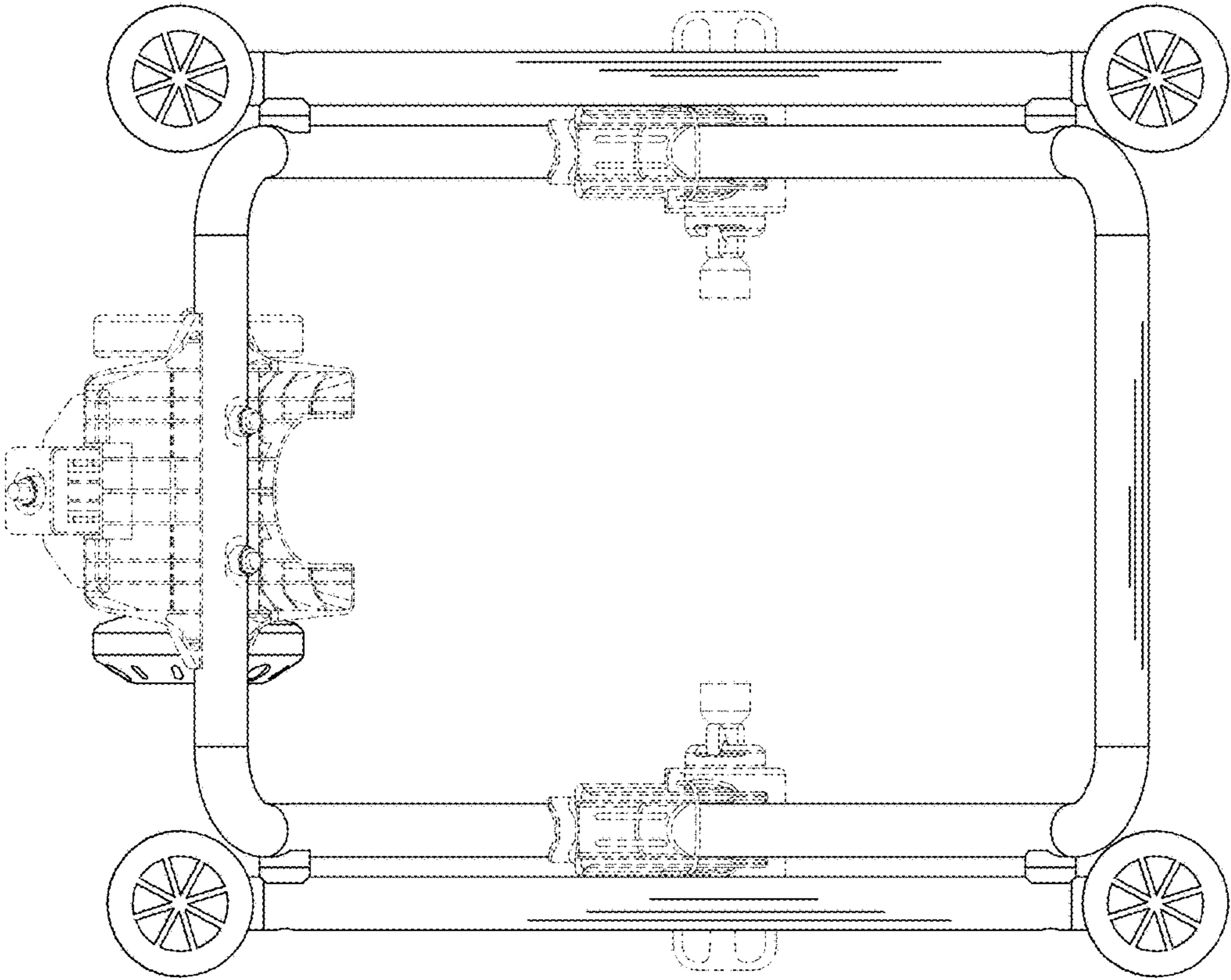


FIG. 7

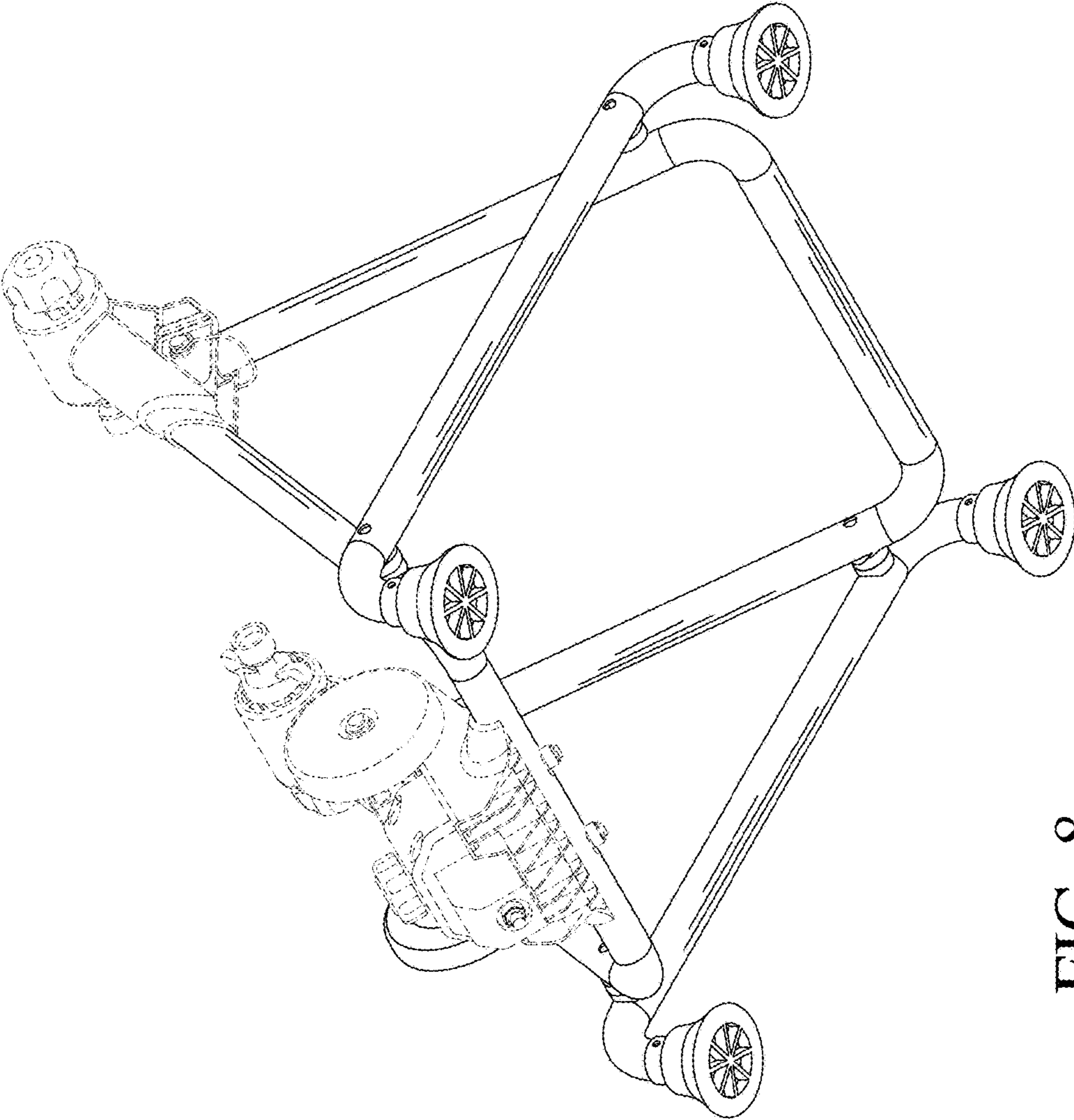


FIG. 8

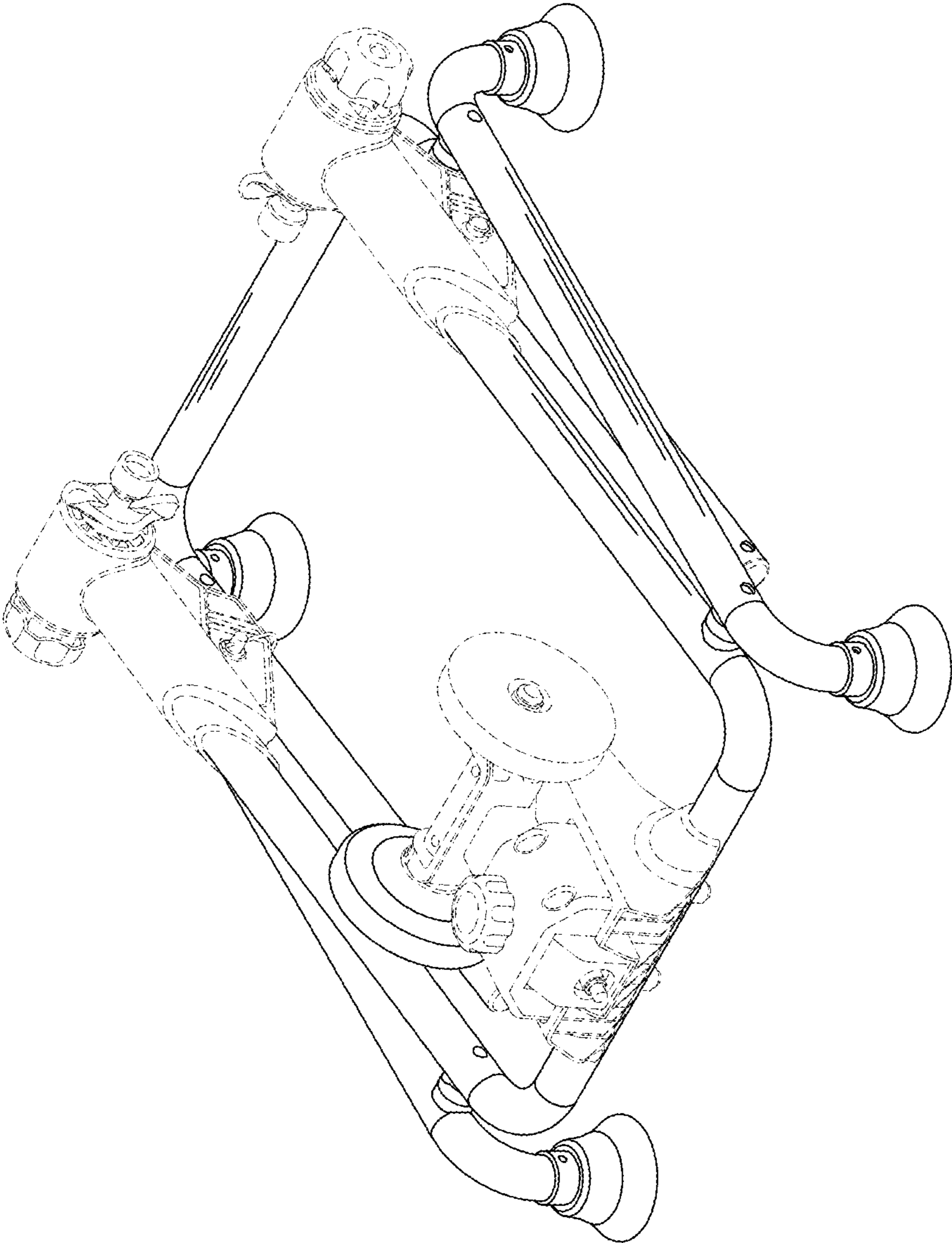


FIG. 9