



US00D792526S

(12) **United States Design Patent** (10) **Patent No.:** **US D792,526 S**  
**Belker et al.** (45) **Date of Patent:** **\*\* Jul. 18, 2017**

(54) **TOY CAR**  
(71) Applicant: **Anki, Inc.**, San Francisco, CA (US)  
(72) Inventors: **Harald Belker**, Marina Del Ray, CA (US); **Chris Keller**, Pasadena, CA (US)  
(73) Assignee: **Anki, Inc.**, San Francisco, CA (US)  
(\*\*) Term: **15 Years**  
(21) Appl. No.: **29/578,906**  
(22) Filed: **Sep. 26, 2016**

D469,387 S 1/2003 Ramaciotti  
D527,773 S 9/2006 Proch et al.  
D534,221 S 12/2006 Hill et al.  
D534,222 S 12/2006 Hill et al.  
D550,126 S 9/2007 Amprimo et al.  
D552,513 S 10/2007 Castriota  
D576,523 S 9/2008 Battams et al.  
D628,519 S \* 12/2010 Panoz ..... D12/92  
D679,762 S 4/2013 Lee  
D685,862 S 7/2013 Martino et al.  
D691,676 S 10/2013 Bleyer et al.  
D703,275 S \* 4/2014 Martino ..... D21/533  
D703,766 S \* 4/2014 Martino ..... D21/533  
D749,463 S \* 2/2016 Zurba ..... D12/88  
D770,574 S \* 11/2016 Belker ..... D21/549  
D770,575 S \* 11/2016 Belker ..... D21/549  
2007/0173173 A1 \* 7/2007 Suzuki ..... A63H 17/00  
446/431  
2012/0052767 A1 3/2012 Martino et al.

**Related U.S. Application Data**

(62) Division of application No. 29/517,017, filed on Feb. 9, 2015, now Pat. No. Des. 769,378.  
(51) **LOC (10) Cl.** ..... **21-01**  
(52) **U.S. Cl.**  
USPC ..... **D21/561**  
(58) **Field of Classification Search**  
USPC ..... D21/398, 533, 548, 549, 550, 560,  
D21/578-581; 446/154, 164, 231, 233,  
446/236-242, 265, 266, 273, 437, 462,  
446/465, 470; D12/88, 92, 108  
CPC .... A63H 17/26; A63H 17/262; A63H 17/264;  
A63H 17/266; A63H 17/36; A63H 17/38;  
A63H 29/00; A63H 29/22; A63H 29/24;  
A63H 30/04  
See application file for complete search history.

\* cited by examiner

*Primary Examiner* — Cynthia M Chin  
(74) *Attorney, Agent, or Firm* — Lerner, David,  
Littenberg, Krumholz & Mentlik, LLP

(57) **CLAIM**

The ornamental design for a toy car, as shown and described.

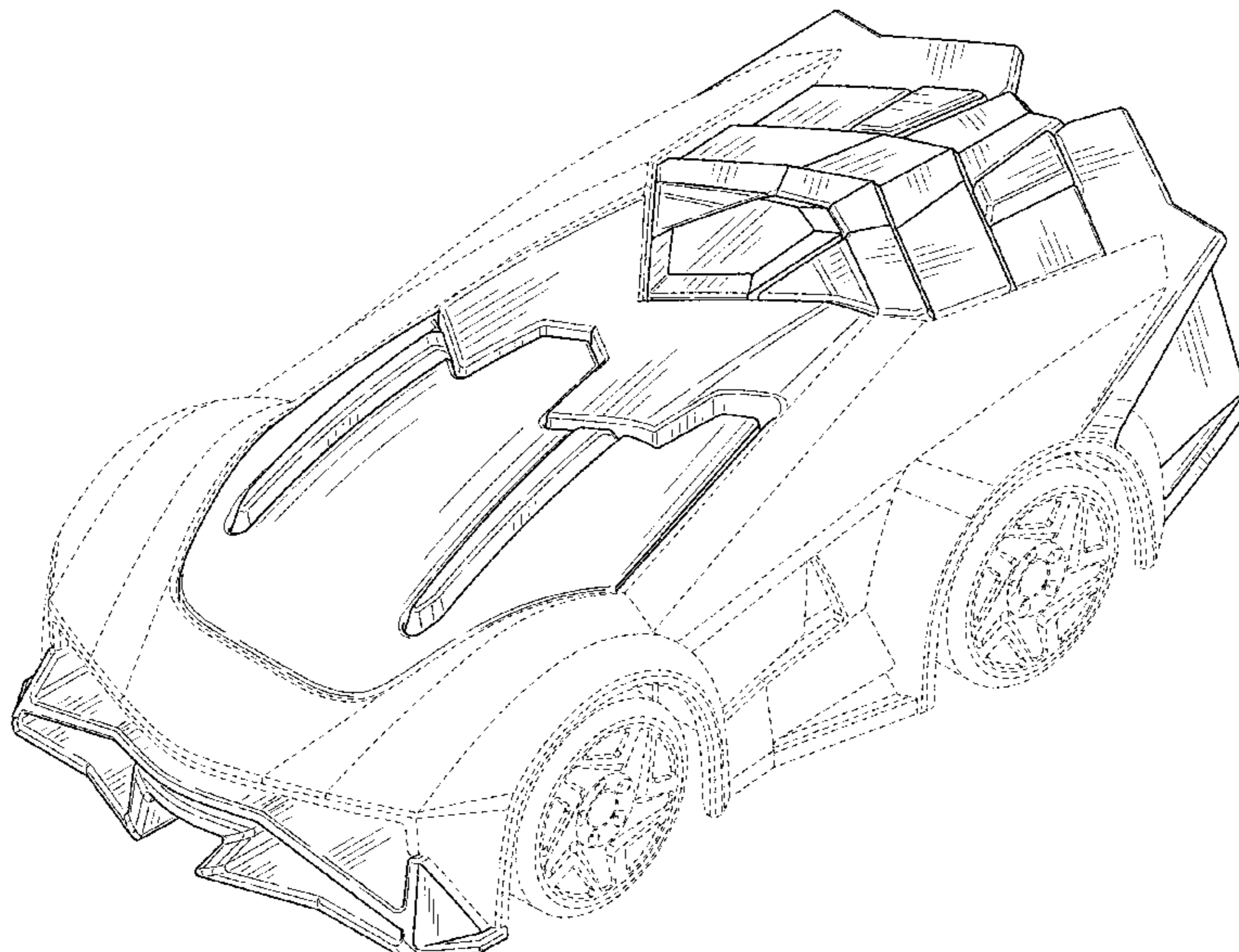
**DESCRIPTION**

FIG. 1 is a perspective view of the toy car showing our new design;  
FIG. 2 is a front view thereof;  
FIG. 3 is a back view thereof;  
FIG. 4 is a right side view thereof;  
FIG. 5 is a left side view thereof;  
FIG. 6 is a top view thereof; and,  
FIG. 7 is a bottom view thereof.  
The broken lines shown in the drawings represent portions of the toy car that form no part of the claimed design.

(56) **References Cited**  
U.S. PATENT DOCUMENTS

D218,340 S 8/1970 McLaren  
D218,695 S 9/1970 Broadley  
D220,578 S 4/1971 Hall  
D222,161 S 10/1971 Broadley  
D436,146 S 1/2001 Cattoni et al.

**1 Claim, 6 Drawing Sheets**



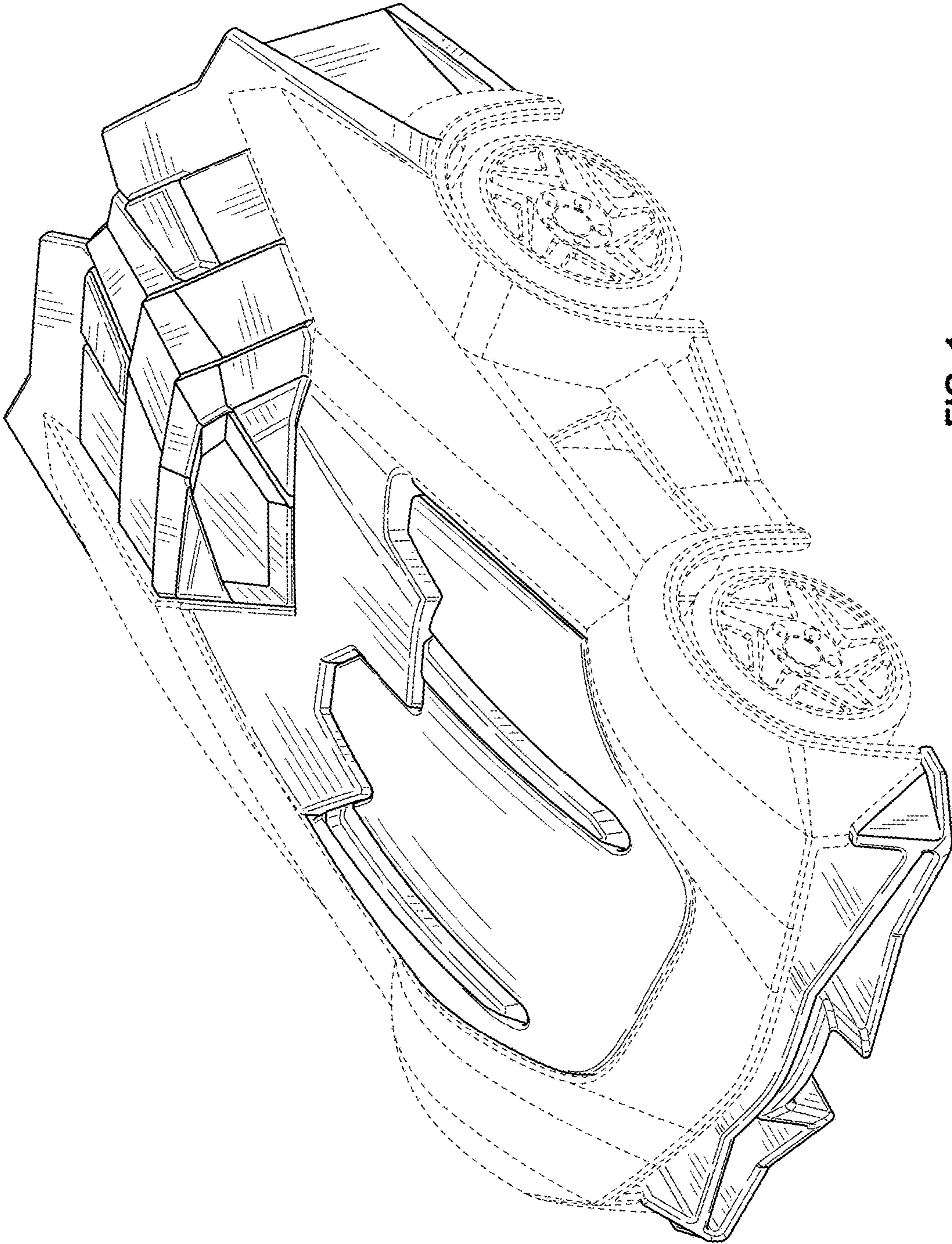


FIG. 1



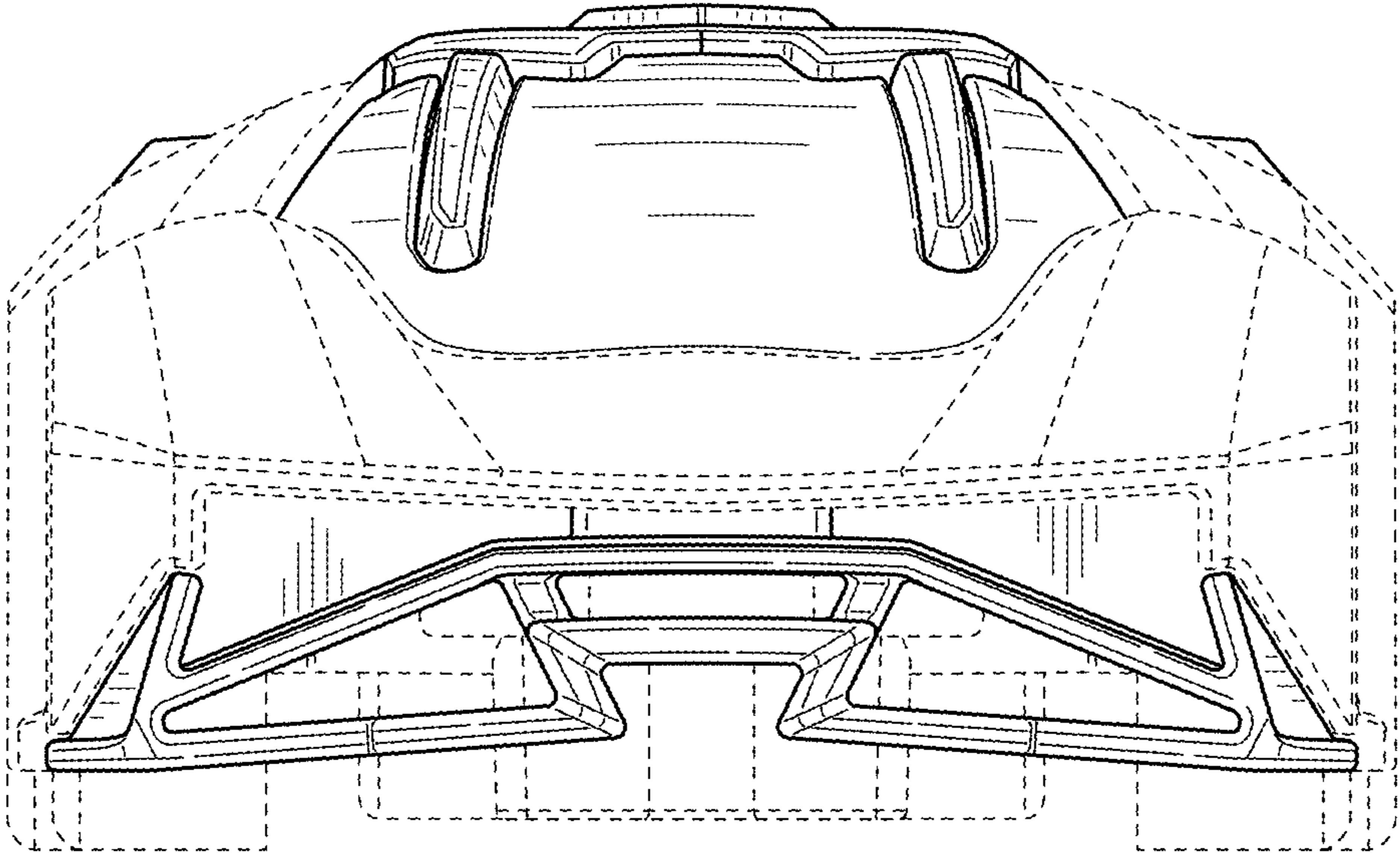


FIG. 2

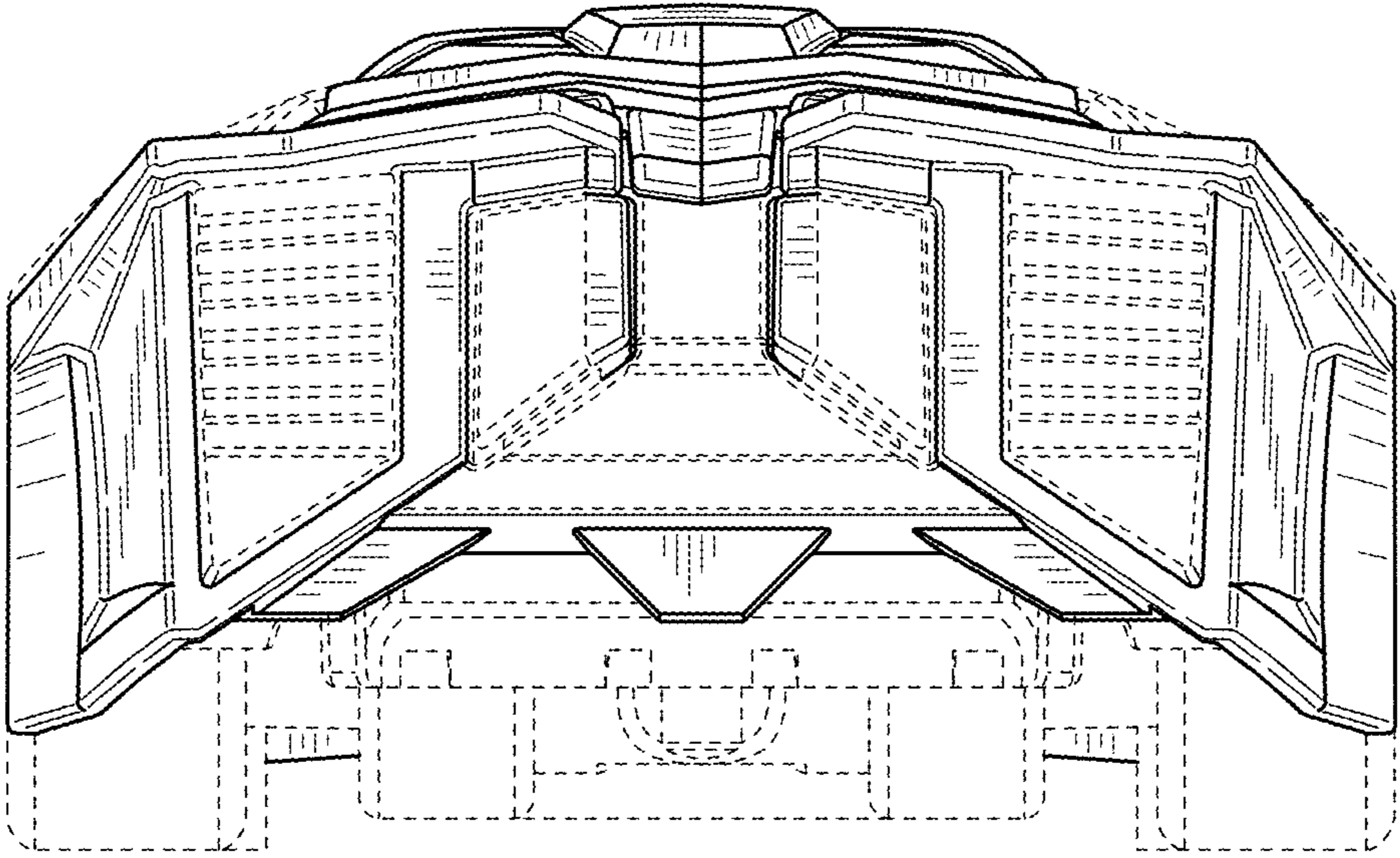


FIG. 3

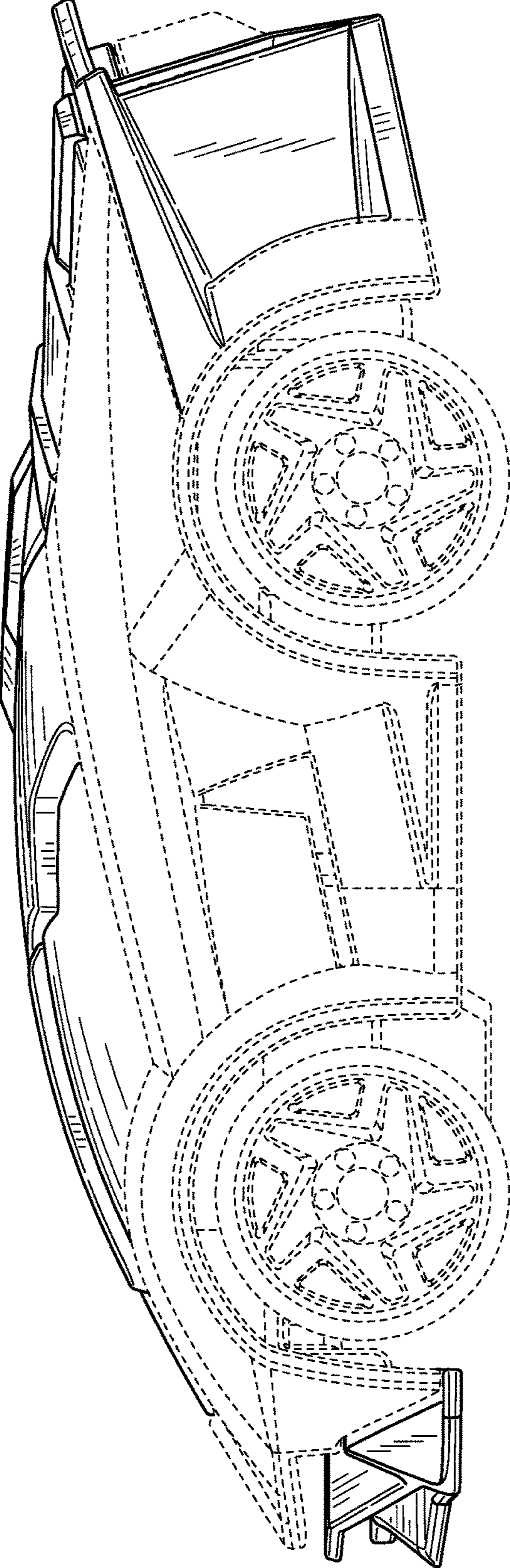


FIG. 4

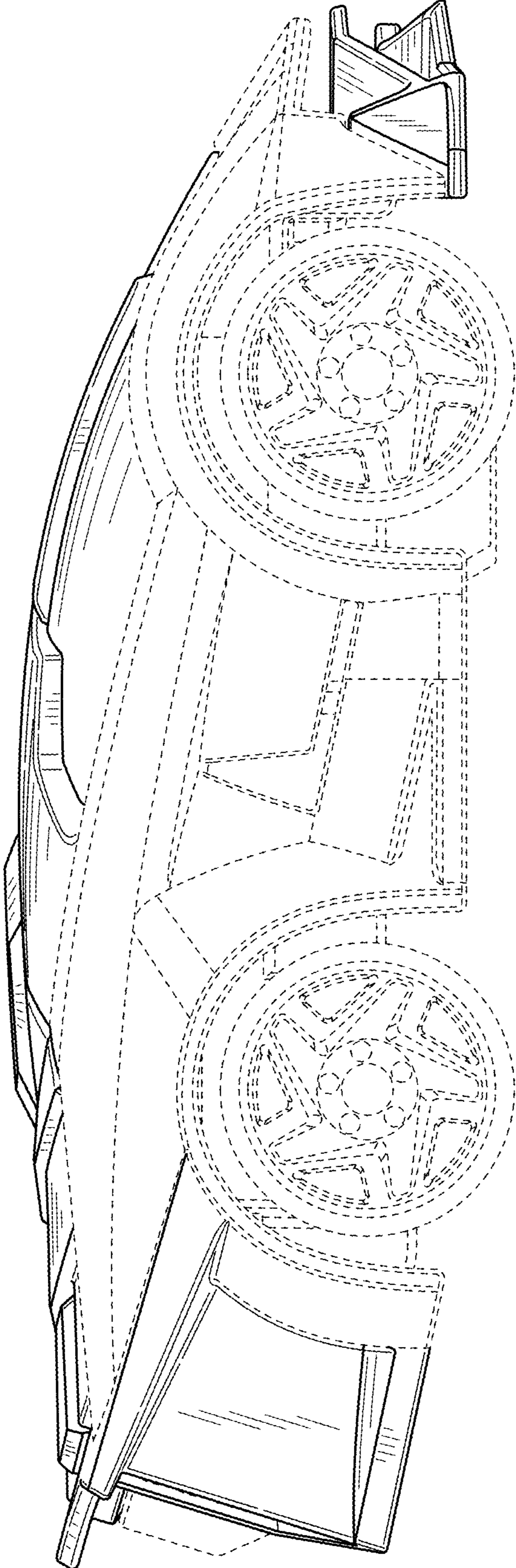


FIG. 5



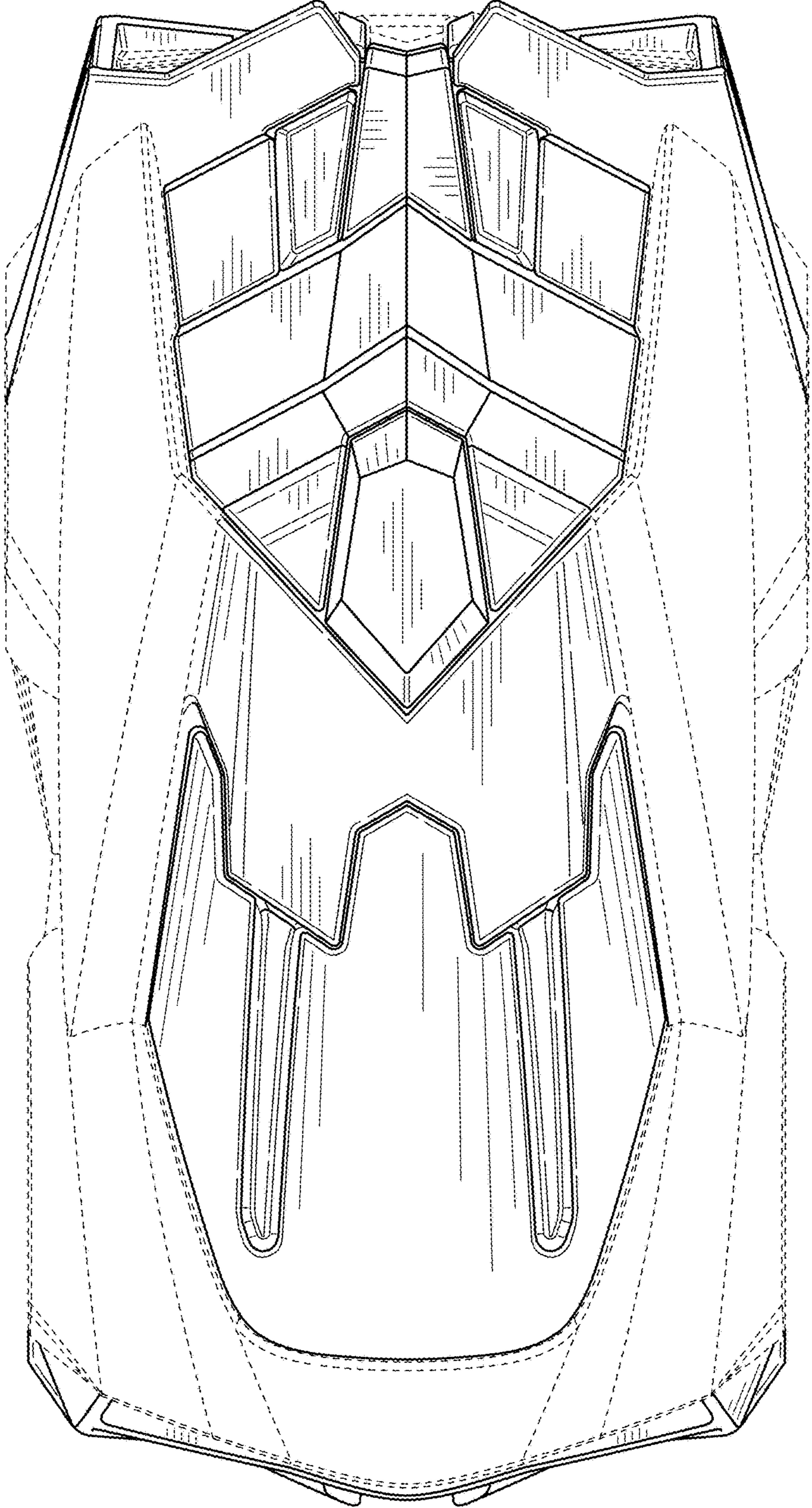


FIG. 6

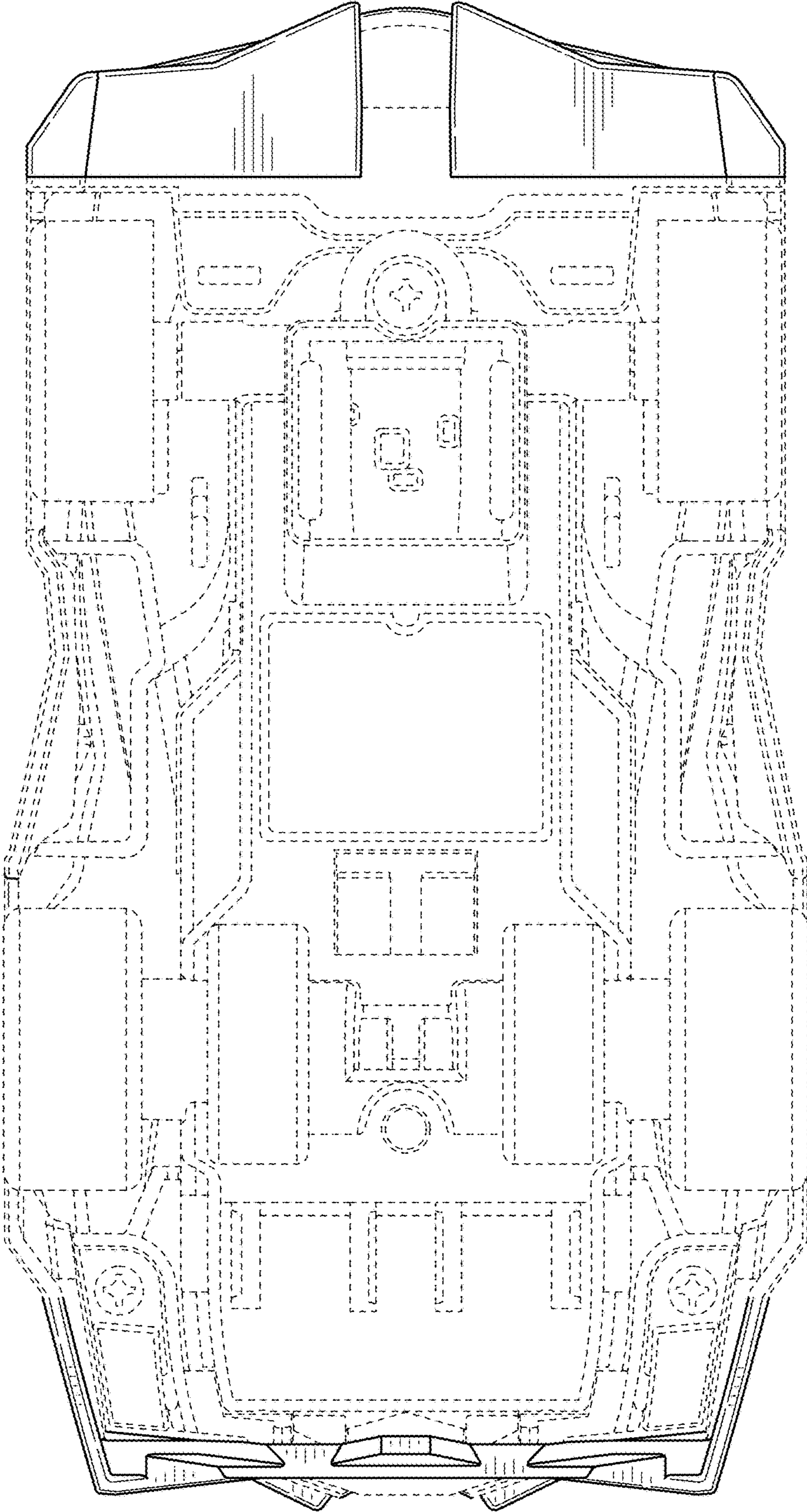


FIG. 7