



US00D792524S

(12) **United States Design Patent**
Lee

(10) **Patent No.:** **US D792,524 S**

(45) **Date of Patent:** **** Jul. 18, 2017**

- (54) **TOY CAR**
- (71) Applicant: **Wen-Hsien Lee**, New Taipei (TW)
- (72) Inventor: **Wen-Hsien Lee**, New Taipei (TW)
- (**) Term: **15 Years**
- (21) Appl. No.: **29/547,078**
- (22) Filed: **Dec. 1, 2015**
- (51) **LOC (10) Cl.** **21-01**
- (52) **U.S. Cl.**
USPC **D21/533; D21/550**
- (58) **Field of Classification Search**
USPC D21/398, 533, 548, 549, 550, 551, 552,
D21/557, 560, 561, 562, 580, 581;
446/154, 164, 231, 233, 236-242, 265,
446/266, 273, 437, 462, 465, 470
CPC A63H 17/004; A63H 17/26; A63H 17/262;
A63H 17/264; A63H 17/266; A63H
17/36; A63H 17/38; A63H 29/00; A63H
29/16; A63H 29/165; A63H 29/22; A63H
29/24; A63H 30/04
See application file for complete search history.

- 5,090,934 A * 2/1992 Quercetti A63H 17/00
434/370
- D326,691 S * 6/1992 Mephram D21/560
- 5,310,379 A * 5/1994 Hippely A63H 33/003
446/279
- D597,151 S * 7/2009 Ishikawa D21/562
- D620,539 S * 7/2010 Badanjo D21/433
- D639,351 S * 6/2011 Newmayer D21/533
- D762,269 S * 7/2016 Lee D21/548

* cited by examiner

Primary Examiner — Cynthia M Chin

(74) *Attorney, Agent, or Firm* — patenttm.us

(57) **CLAIM**

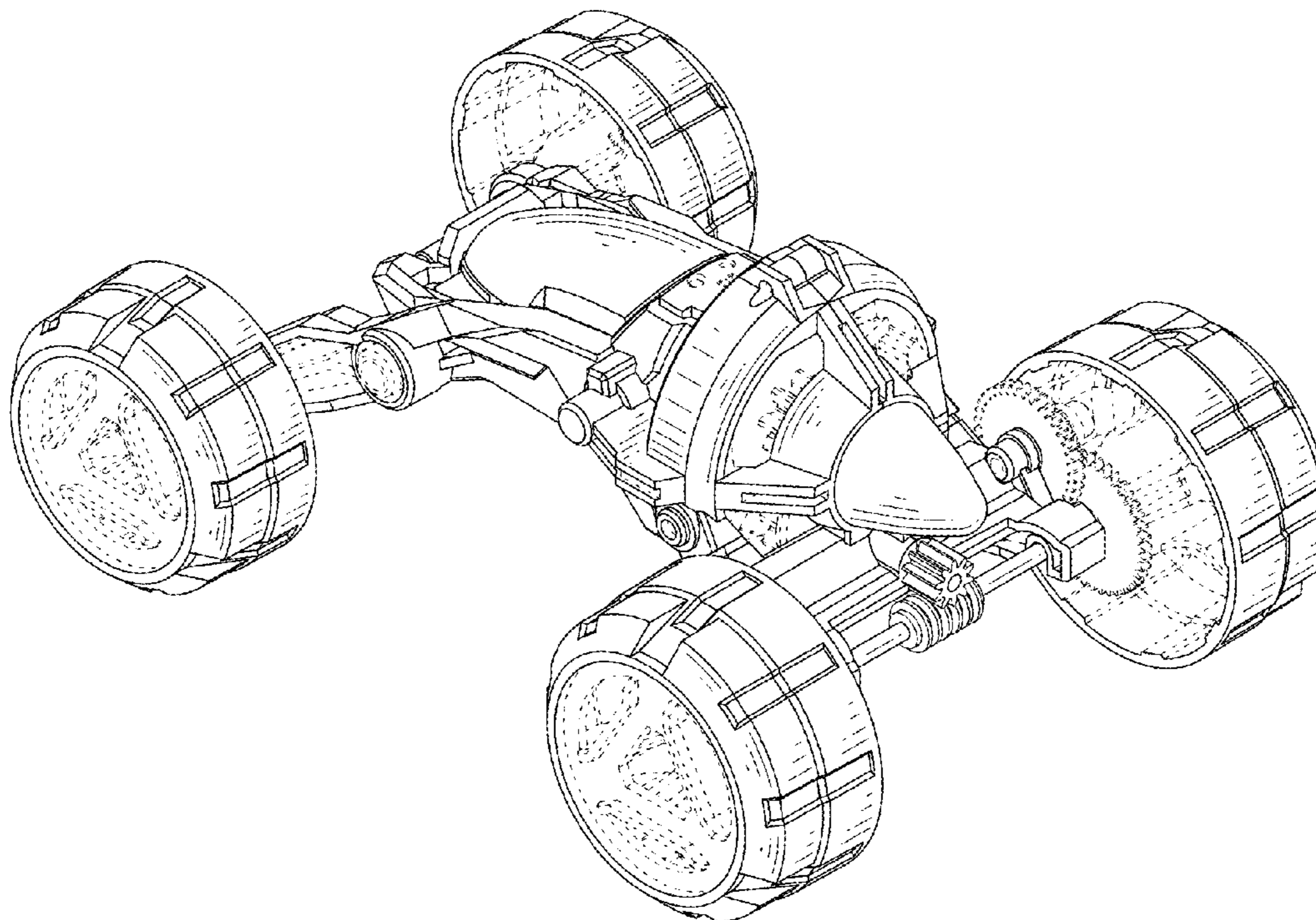
The ornamental design for a toy car, as shown and described.

DESCRIPTION

FIG. 1 is a perspective view of a toy car showing my new design;
 FIG. 2 is another perspective view thereof;
 FIG. 3 is another perspective view thereof;
 FIG. 4 is still another perspective view thereof;
 FIG. 5 is a front view thereof;
 FIG. 6 is a rear view thereof;
 FIG. 7 is a left side view thereof;
 FIG. 8 is a right side view thereof;
 FIG. 9 is a top view thereof; and,
 FIG. 10 is a bottom view thereof.
 The broken lines shown are included for the purpose of illustrating the unclaimed portions of the article and form no part of the claimed design.

- (56) **References Cited**
U.S. PATENT DOCUMENTS
2,821,808 A * 2/1958 Rosato A63H 29/165
446/187
D262,224 S * 12/1981 Aoki D21/551
D269,689 S * 7/1983 Ohkado D21/550
D303,408 S * 9/1989 Wallace D21/533

1 Claim, 10 Drawing Sheets



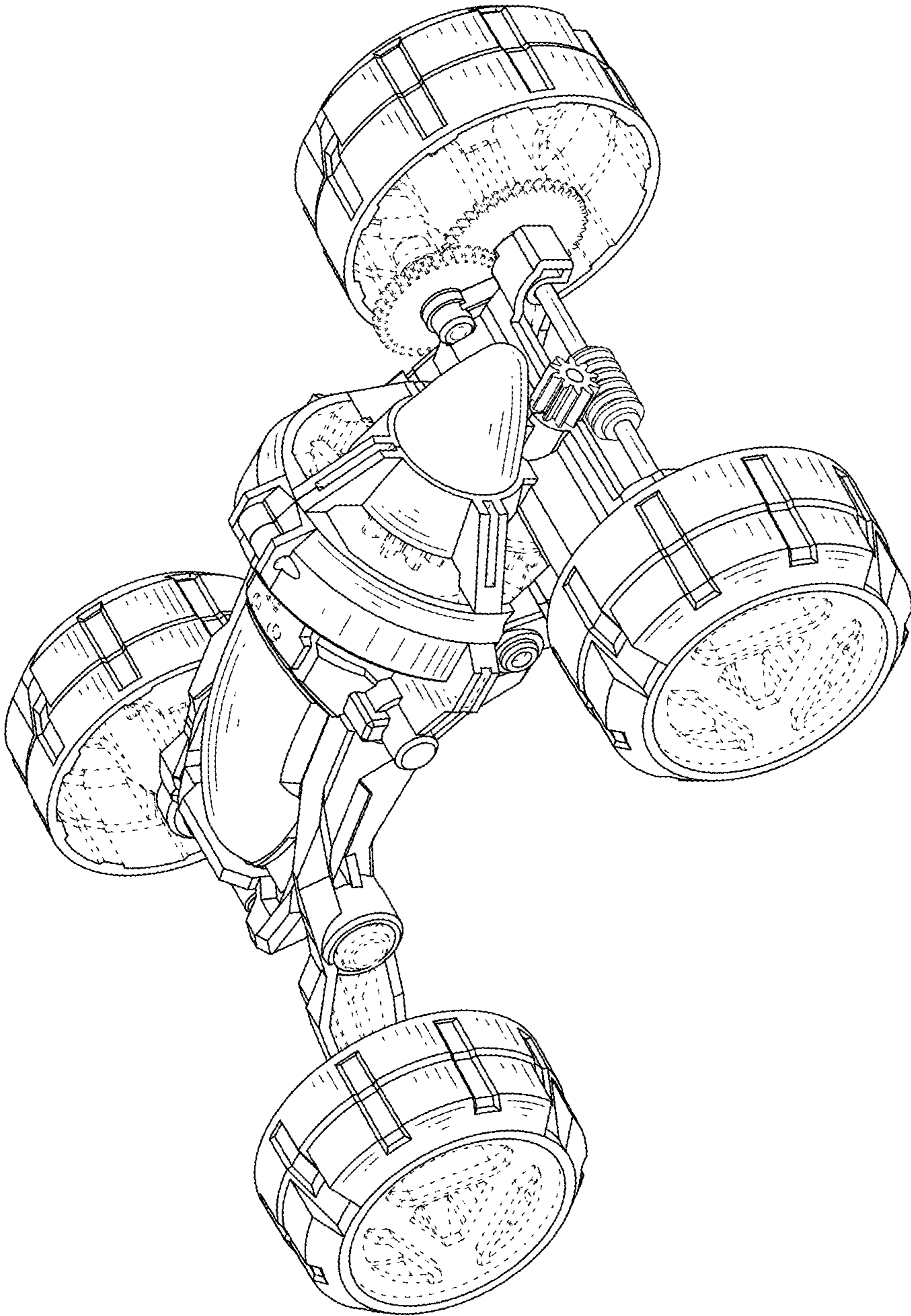


FIG.1

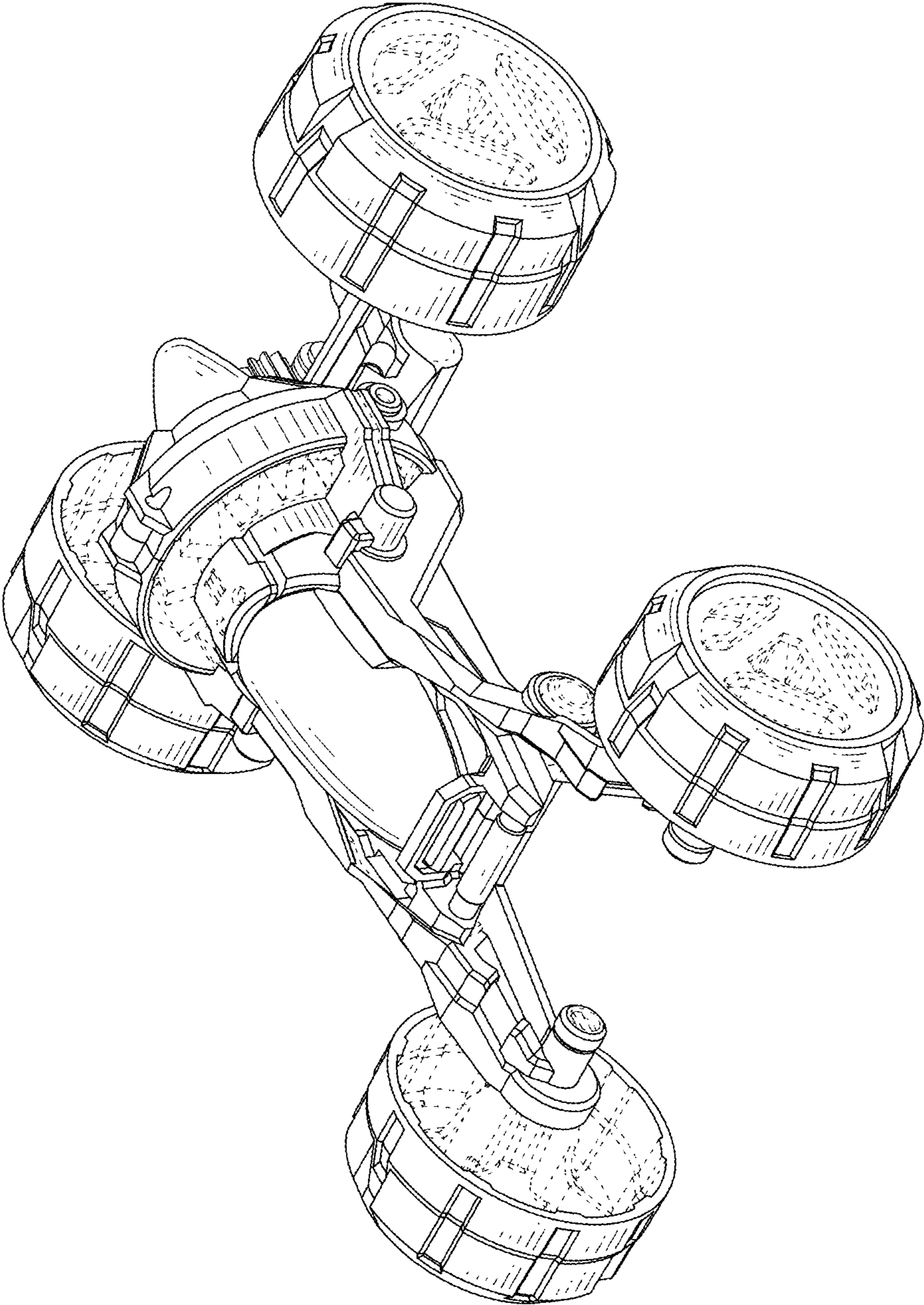


FIG.2

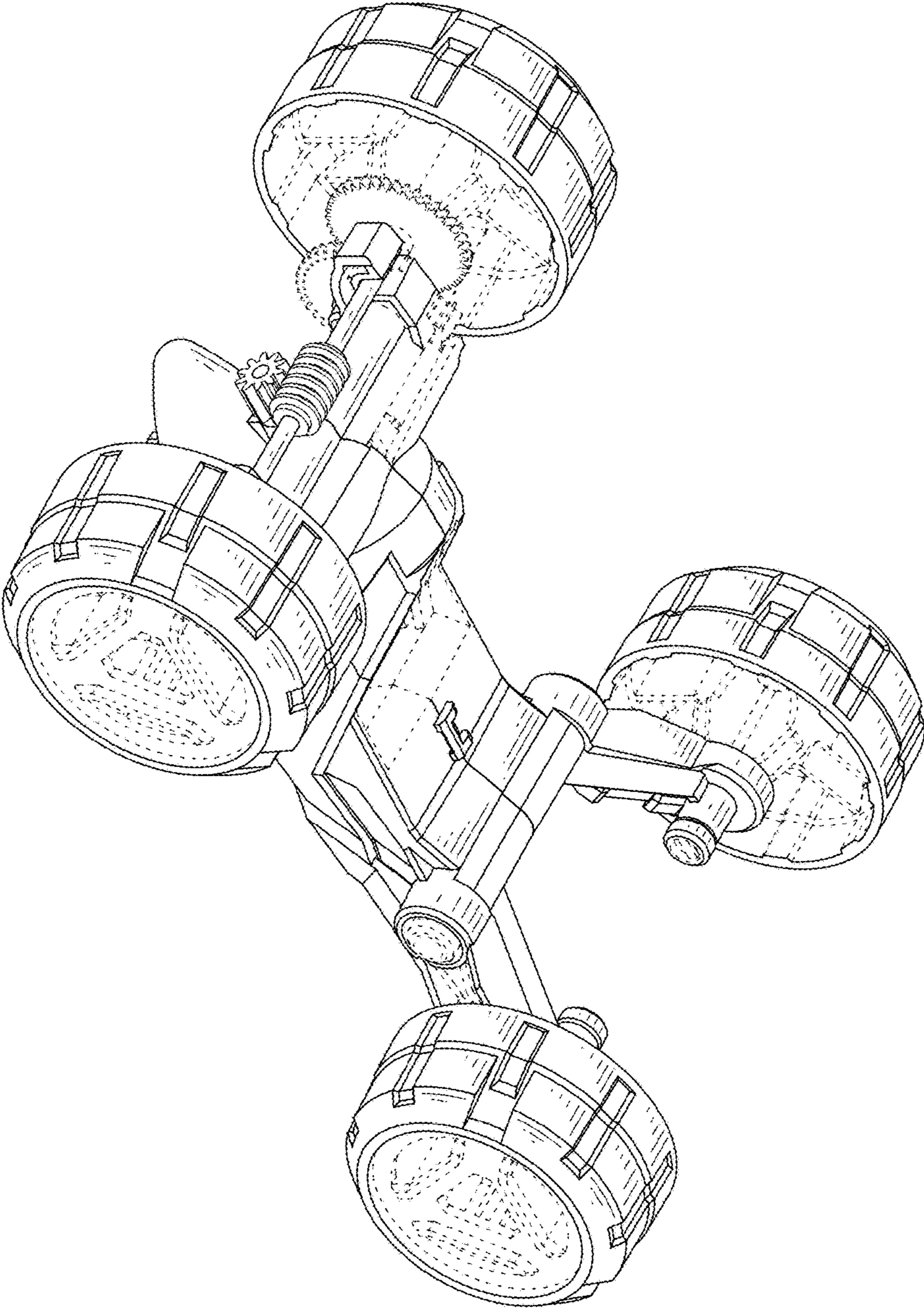


FIG.3

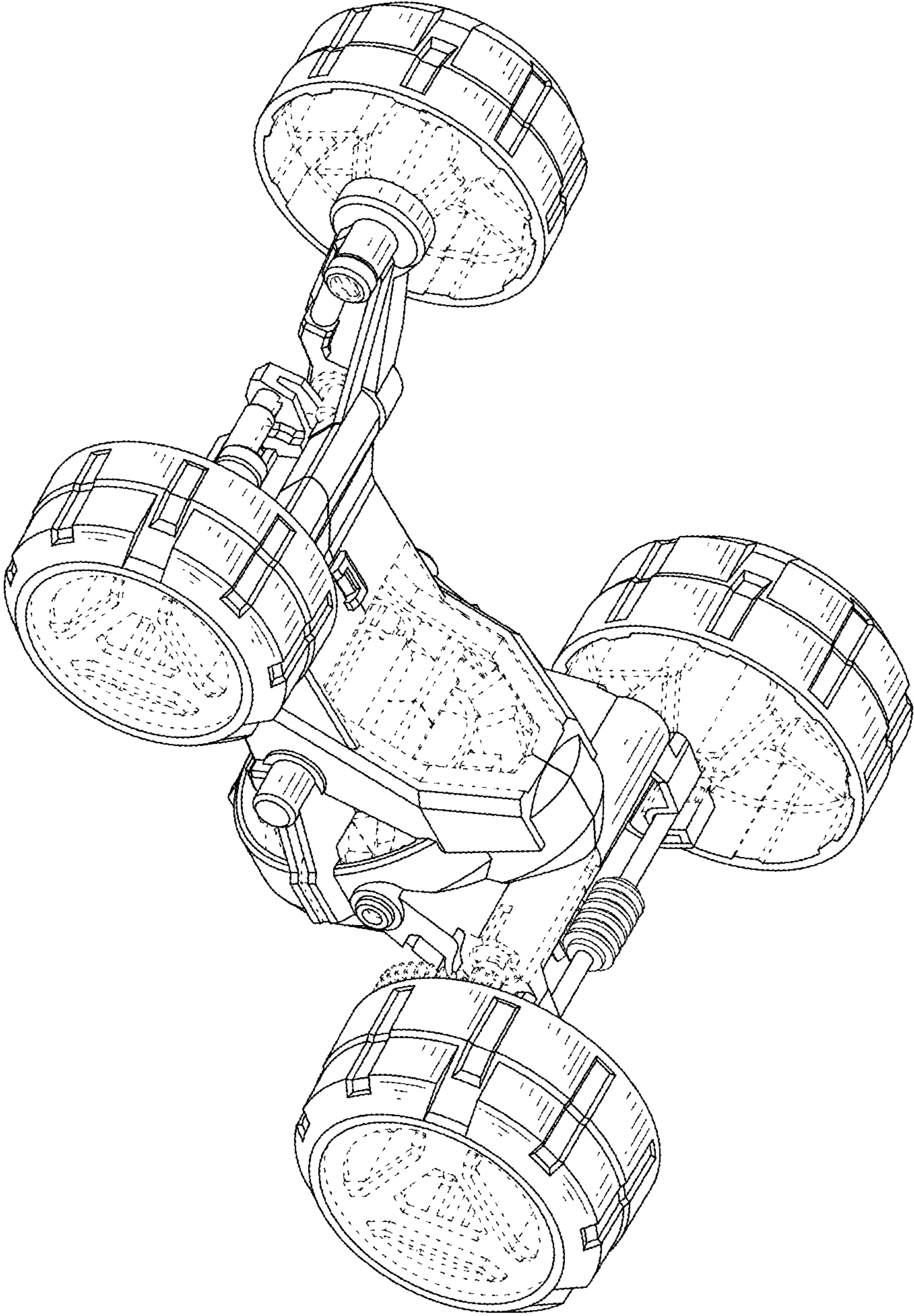


FIG.4

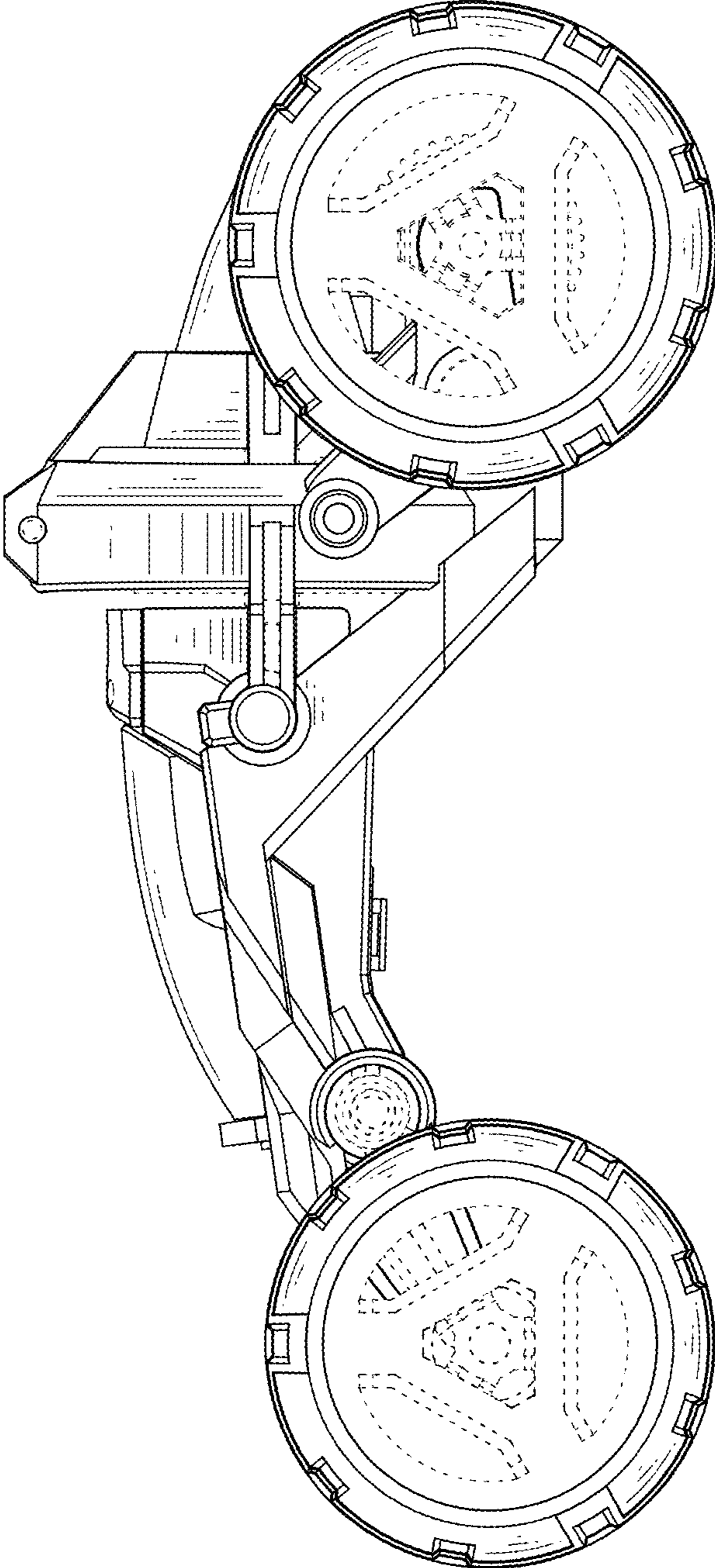


FIG.5

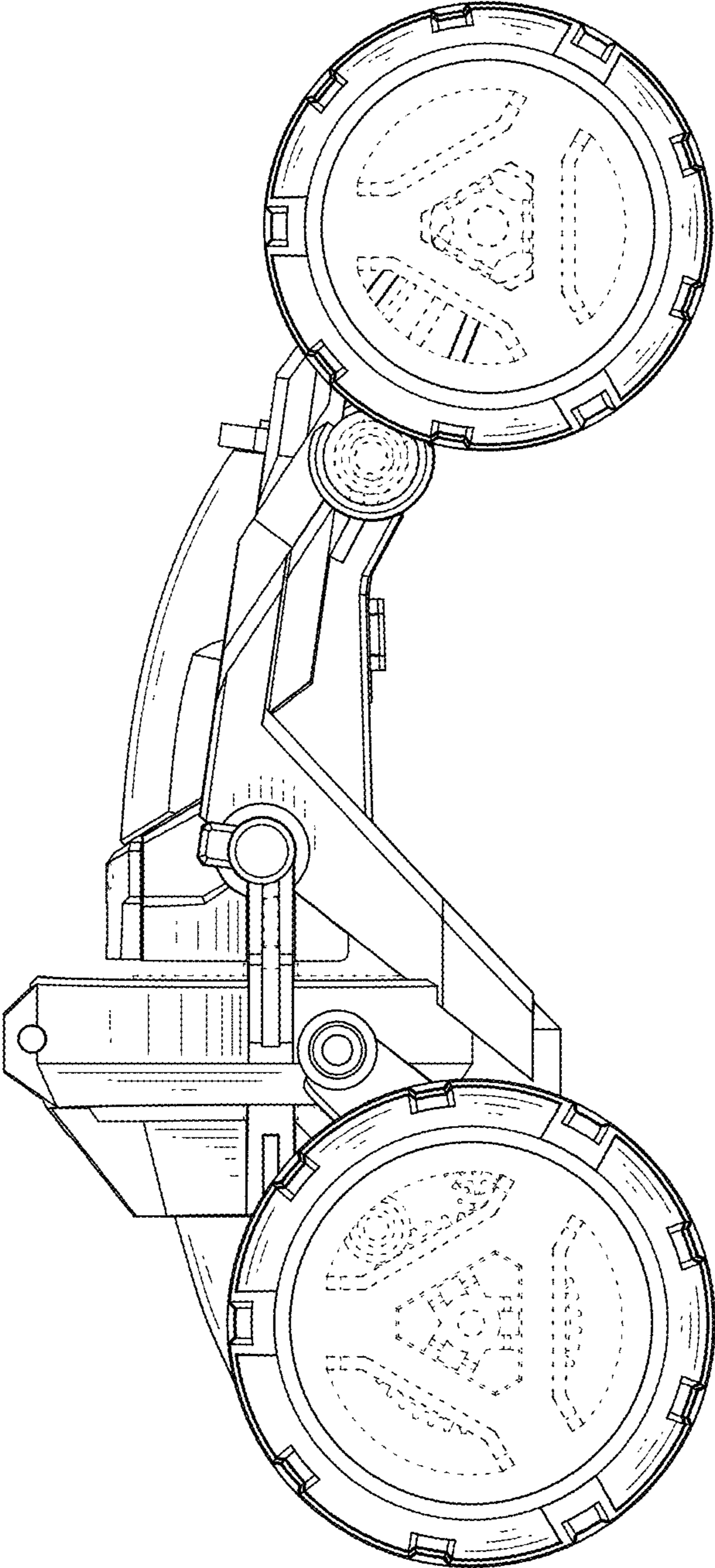


FIG.6

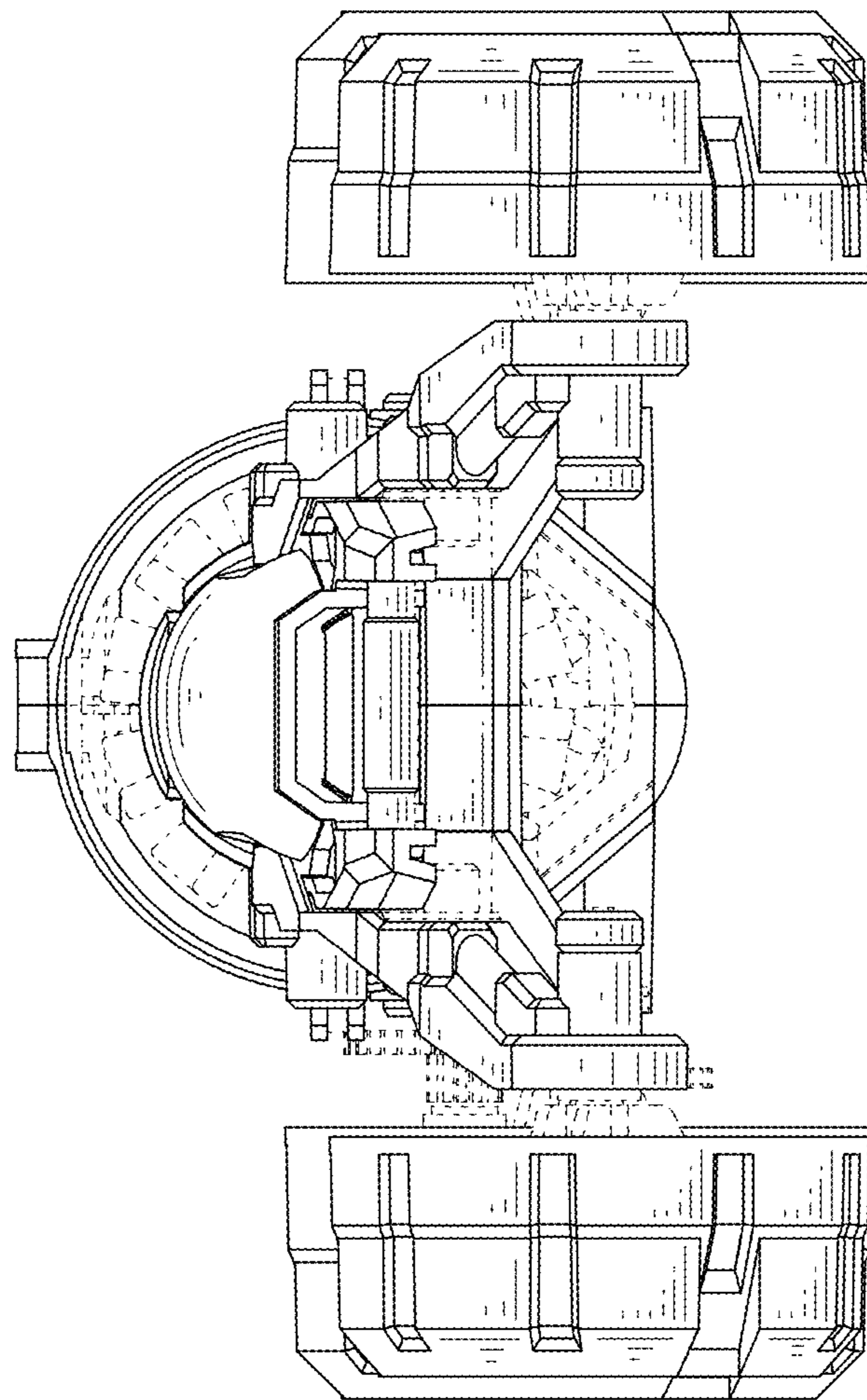


FIG. 7

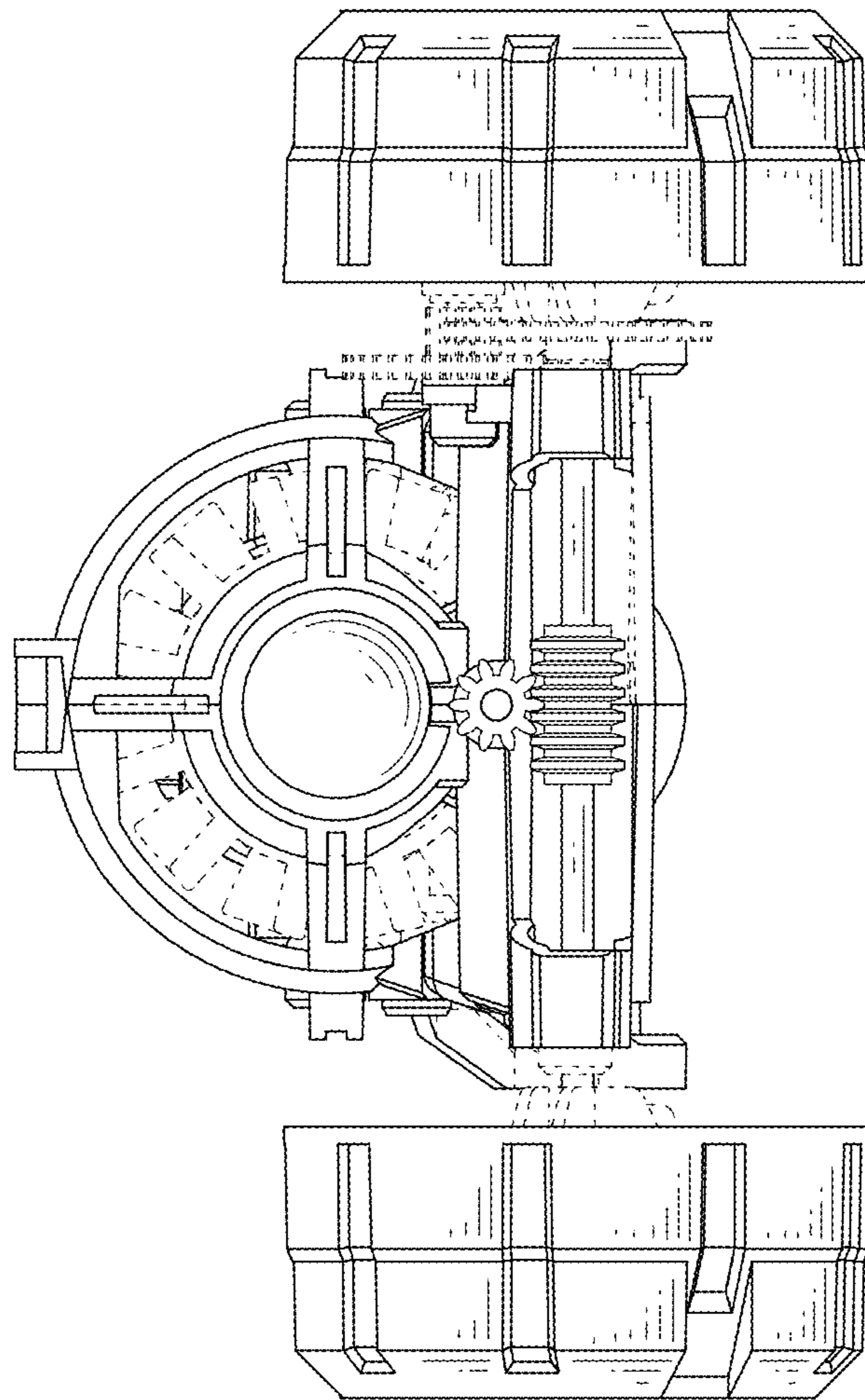


FIG.8

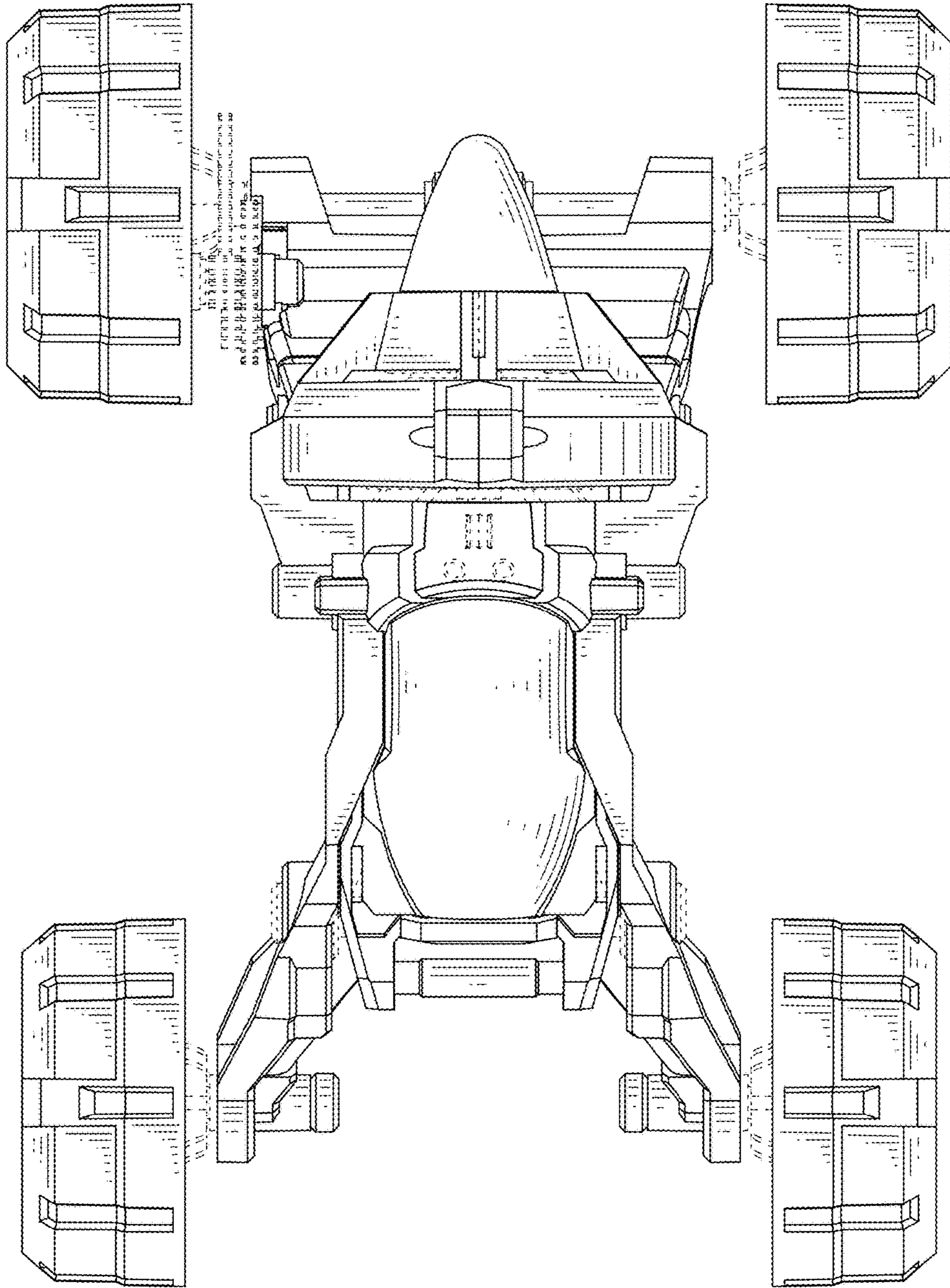


FIG. 9

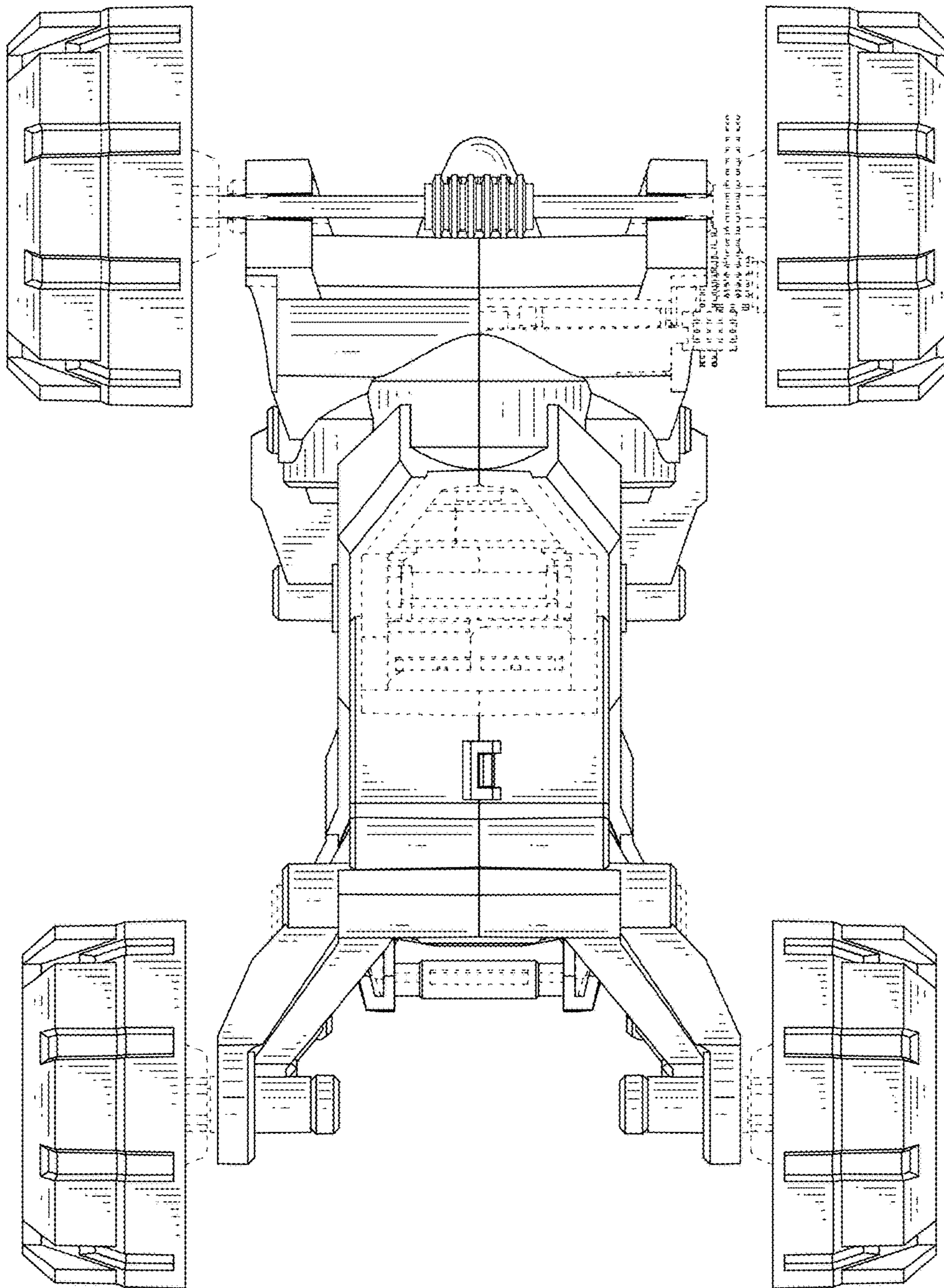


FIG.10