



US00D792522S

(12) **United States Design Patent**  
**Deutsch**

(10) **Patent No.:** **US D792,522 S**

(45) **Date of Patent:** **\*\* Jul. 18, 2017**

(54) **TOY BUILDING BLOCK**

(71) Applicant: **David Deutsch**, Brooklyn, NY (US)

(72) Inventor: **David Deutsch**, Brooklyn, NY (US)

(\*\*) Term: **15 Years**

(21) Appl. No.: **29/573,556**

(22) Filed: **Aug. 8, 2016**

(51) **LOC (10) Cl.** ..... **21-02**

(52) **U.S. Cl.**  
USPC ..... **D21/500**

(58) **Field of Classification Search**  
USPC ..... D21/333, 373, 386, 389, 404, 468, 470,  
D21/471, 475, 484-505; 446/69, 85,  
446/102-128; 434/167, 208, 259, 403;  
273/153, 156, 160; D24/101; D25/113,  
D25/118

CPC ..... A63H 33/04; A63H 33/06; A63H 33/062;  
A63H 33/08; A63H 33/084; A63H  
33/088; A63F 9/12; A63F 9/1224

See application file for complete search history.

(56) **References Cited**

**U.S. PATENT DOCUMENTS**

2,940,211	A *	6/1960	Kelley	.....	A63H 33/084 446/124
3,005,131	A *	10/1961	Melcher	.....	H01R 13/514 174/252
D235,570	S *	6/1975	Barton	.....	D21/499
D238,168	S *	12/1975	Ketcham	.....	D21/504
D255,039	S *	5/1980	Gale	.....	446/124
4,446,649	A *	5/1984	Moe	.....	A63H 17/264 446/128
5,061,218	A *	10/1991	Garage	.....	A63H 33/086 446/102
5,069,647	A *	12/1991	Zuviria	.....	A63H 33/08 446/120

D336,320	S *	6/1993	Sher	.....	D21/499
6,450,853	B1 *	9/2002	Larws	.....	A63H 33/101 446/122
D506,790	S *	6/2005	Gee	.....	D21/479
D689,625	S *	9/2013	Antal	.....	D25/113
D718,392	S *	11/2014	Weiss	.....	D21/500
D718,393	S *	11/2014	Weiss	.....	D21/500
D718,394	S *	11/2014	Weiss	.....	A63H 33/086 D21/500
2016/0288009	A1 *	10/2016	Lambert	.....	A63H 33/105

\* cited by examiner

*Primary Examiner* — Cynthia M Chin

(74) *Attorney, Agent, or Firm* — Michael J. Feigin, Esq.;  
Feigin & Fridman

(57) **CLAIM**

The ornamental design for a toy building block, as shown and described.

**DESCRIPTION**

FIG. 1 shows a top and side perspective view of the toy building block.

FIG. 2 shows a bottom and side perspective view thereof. FIG. 3 shows first elevation view thereof, the opposite site being a mirror image thereof.

FIG. 4 shows a second elevation view thereof, the opposite site being a mirror image thereof.

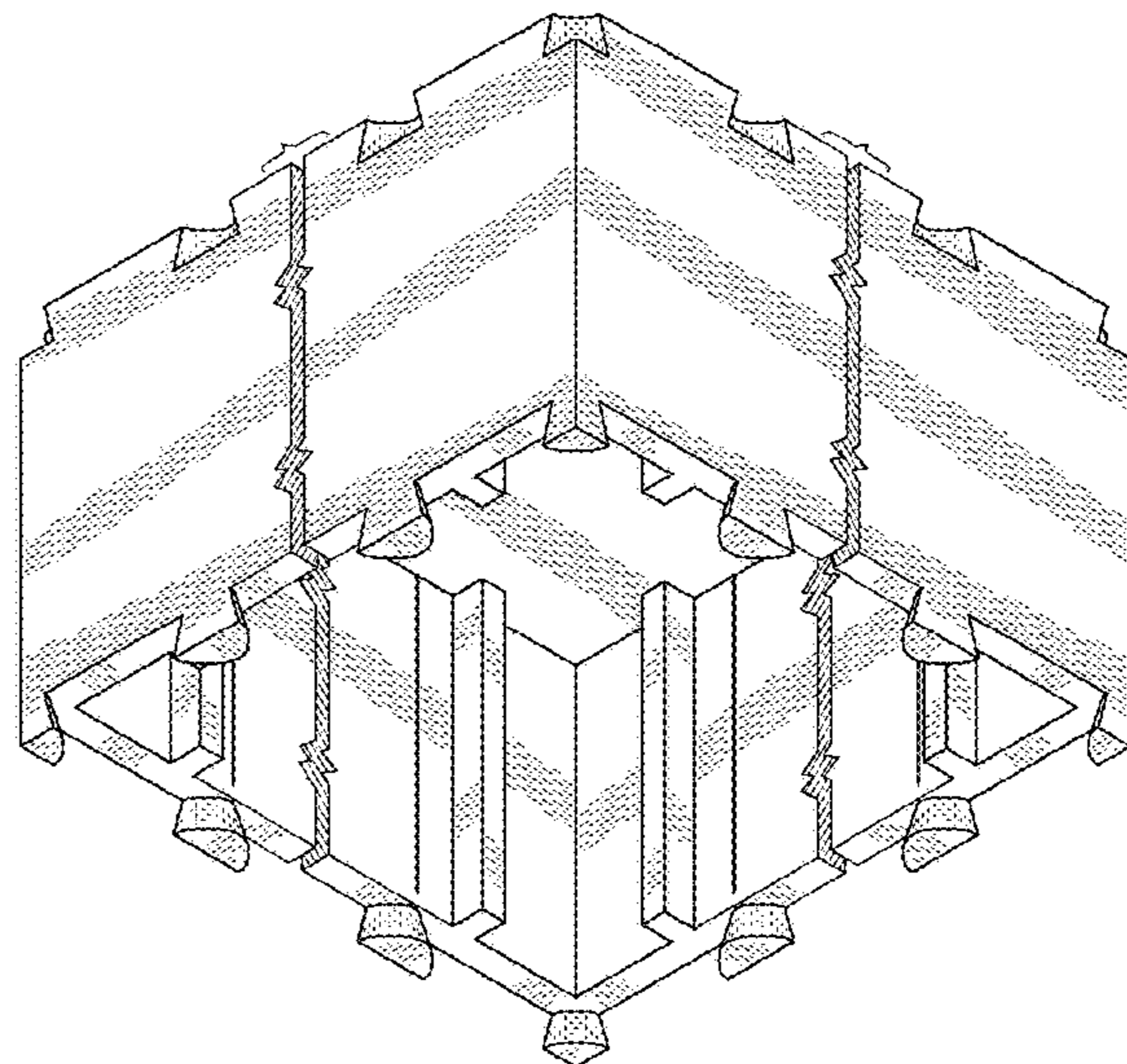
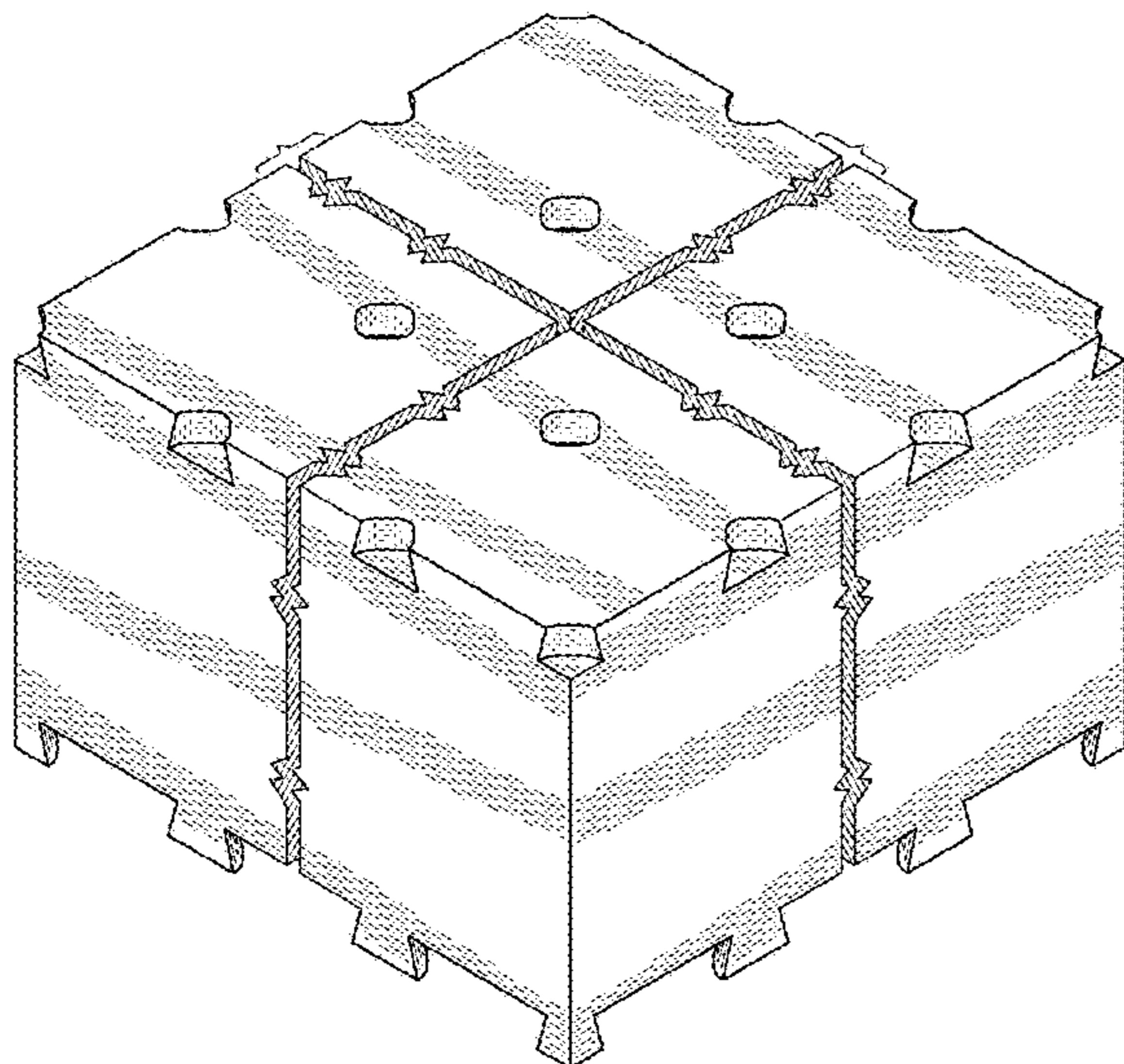
FIG. 5 shows a top plan view thereof.

FIG. 6 shows a bottom plan view thereof; and, FIG. 7 shows the toy building block connecting a plurality of additional toy building blocks.

The broken lines shown are included for the purpose of illustrating portions of the article which form no part of the claimed design.

The broken away symbols in the drawings indicate the appearance of any portion of the article between the break lines forms no part of the claimed design.

**1 Claim, 7 Drawing Sheets**





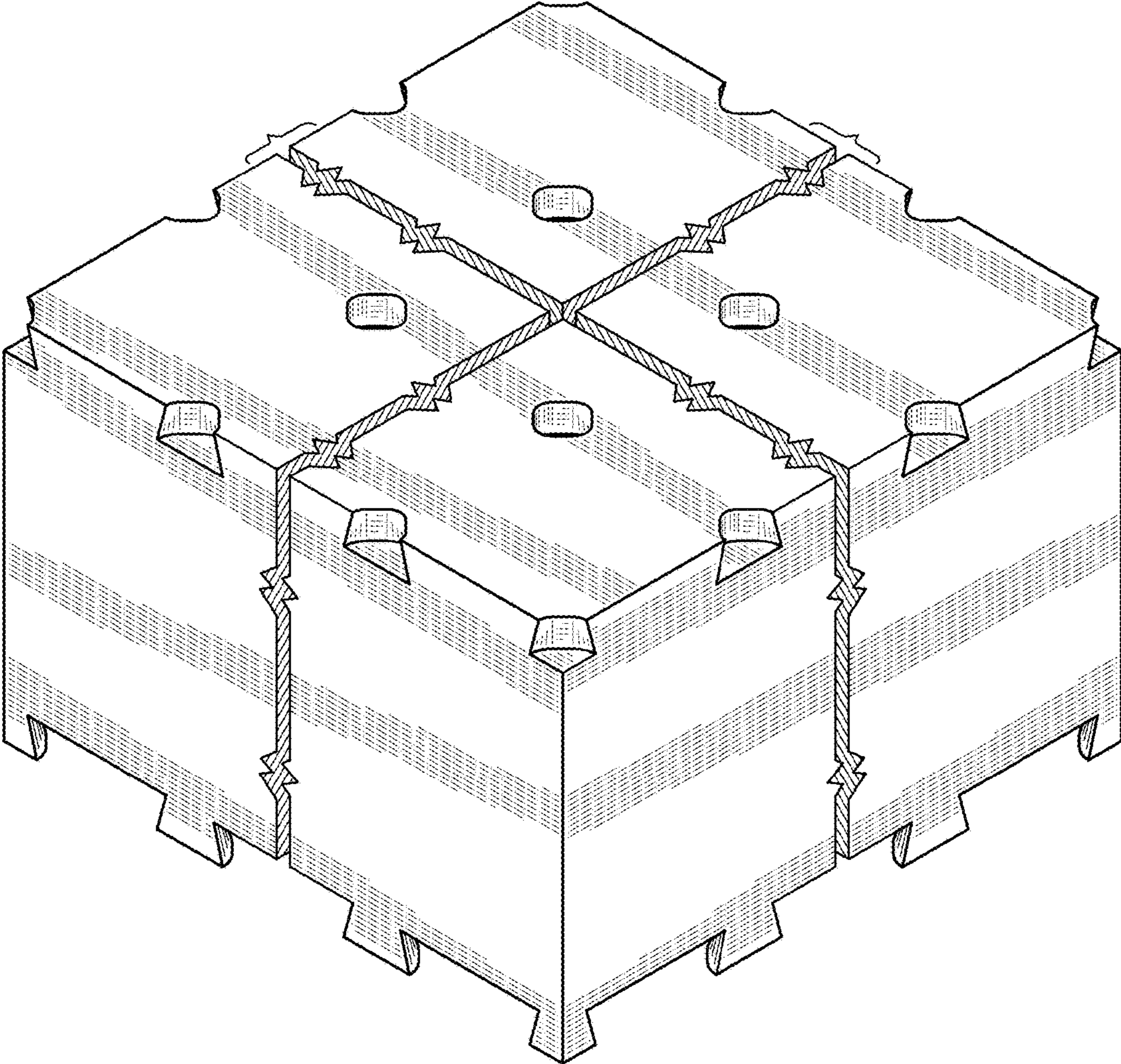


FIG. 1

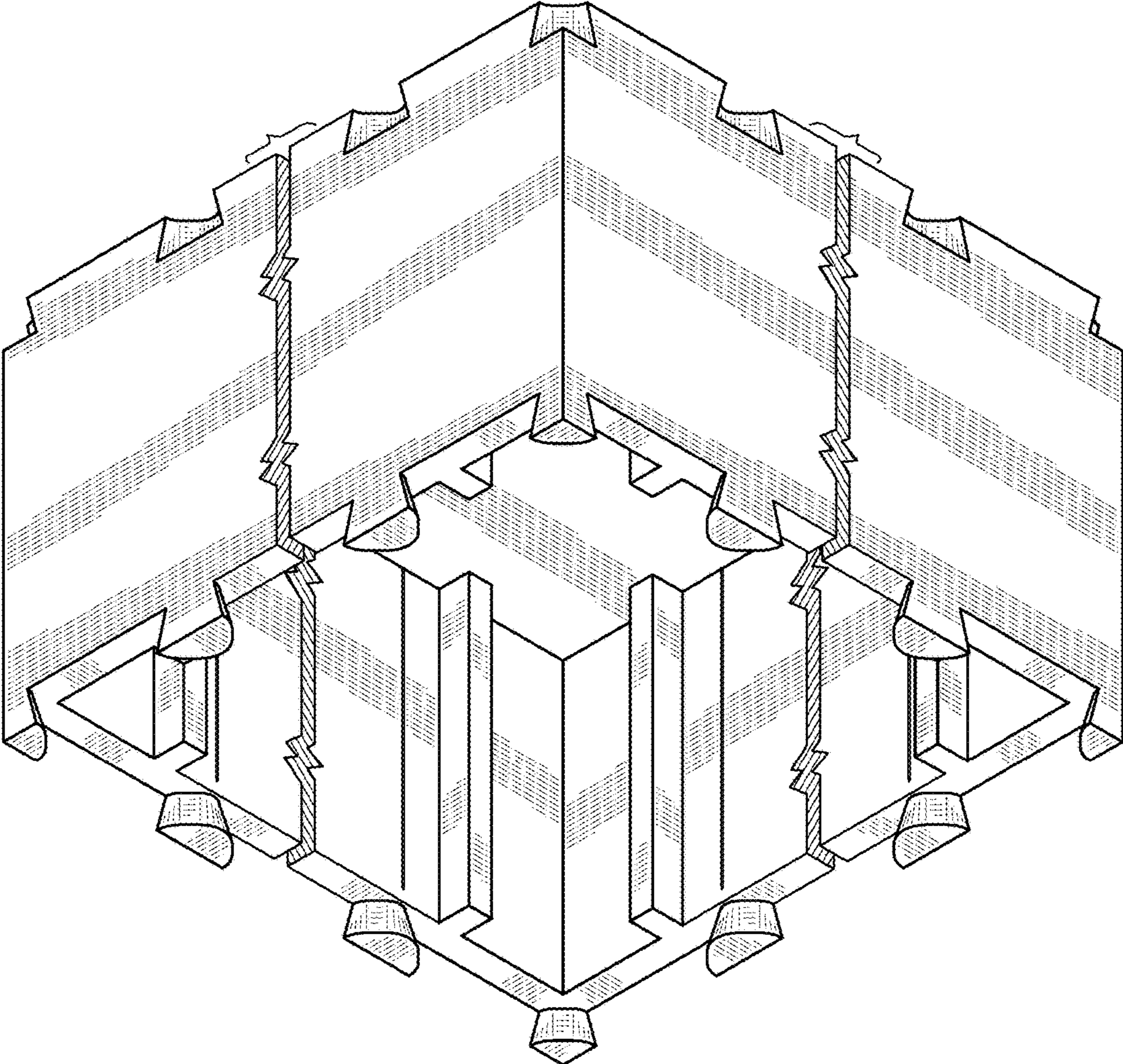


FIG. 2



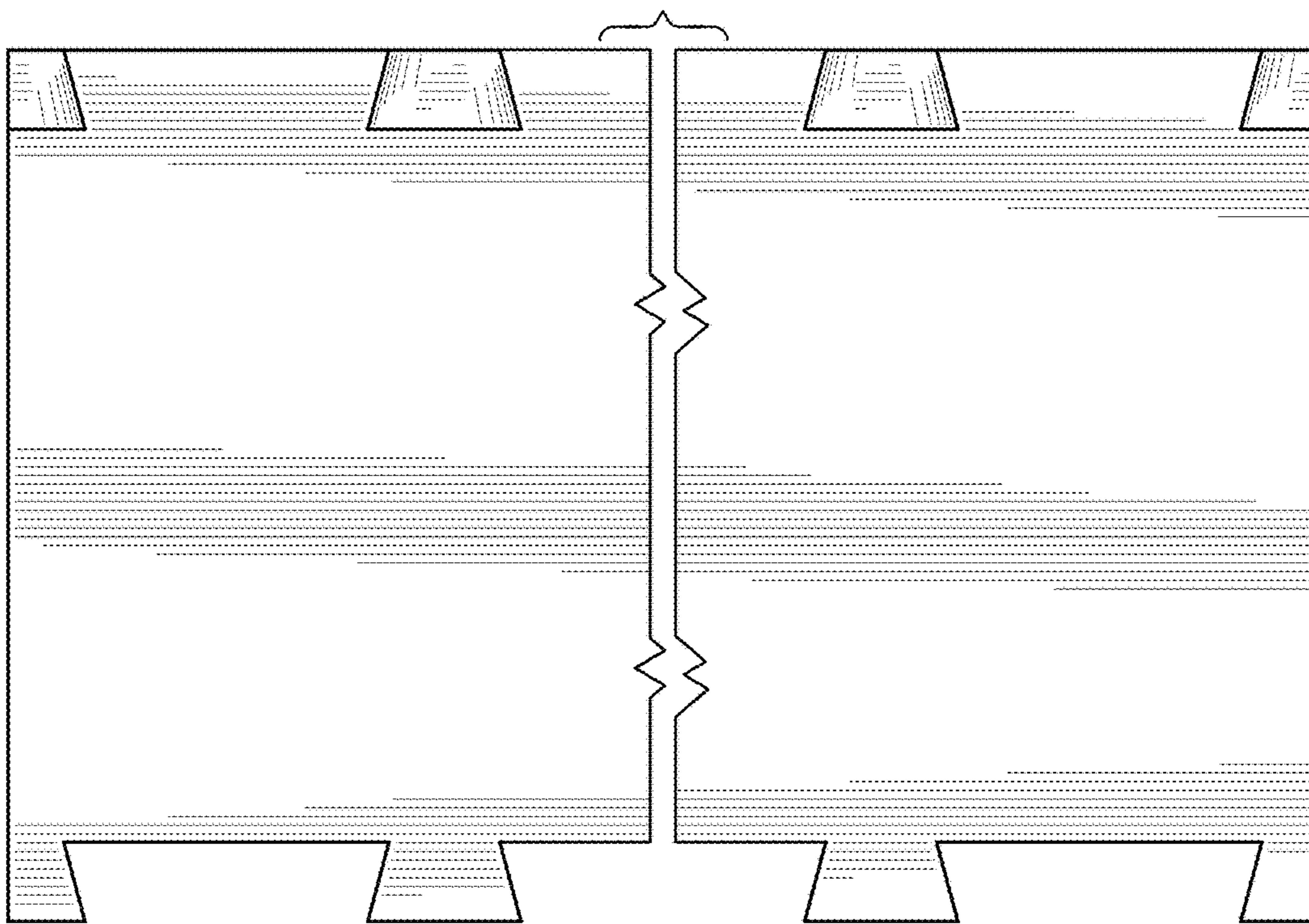


FIG. 3

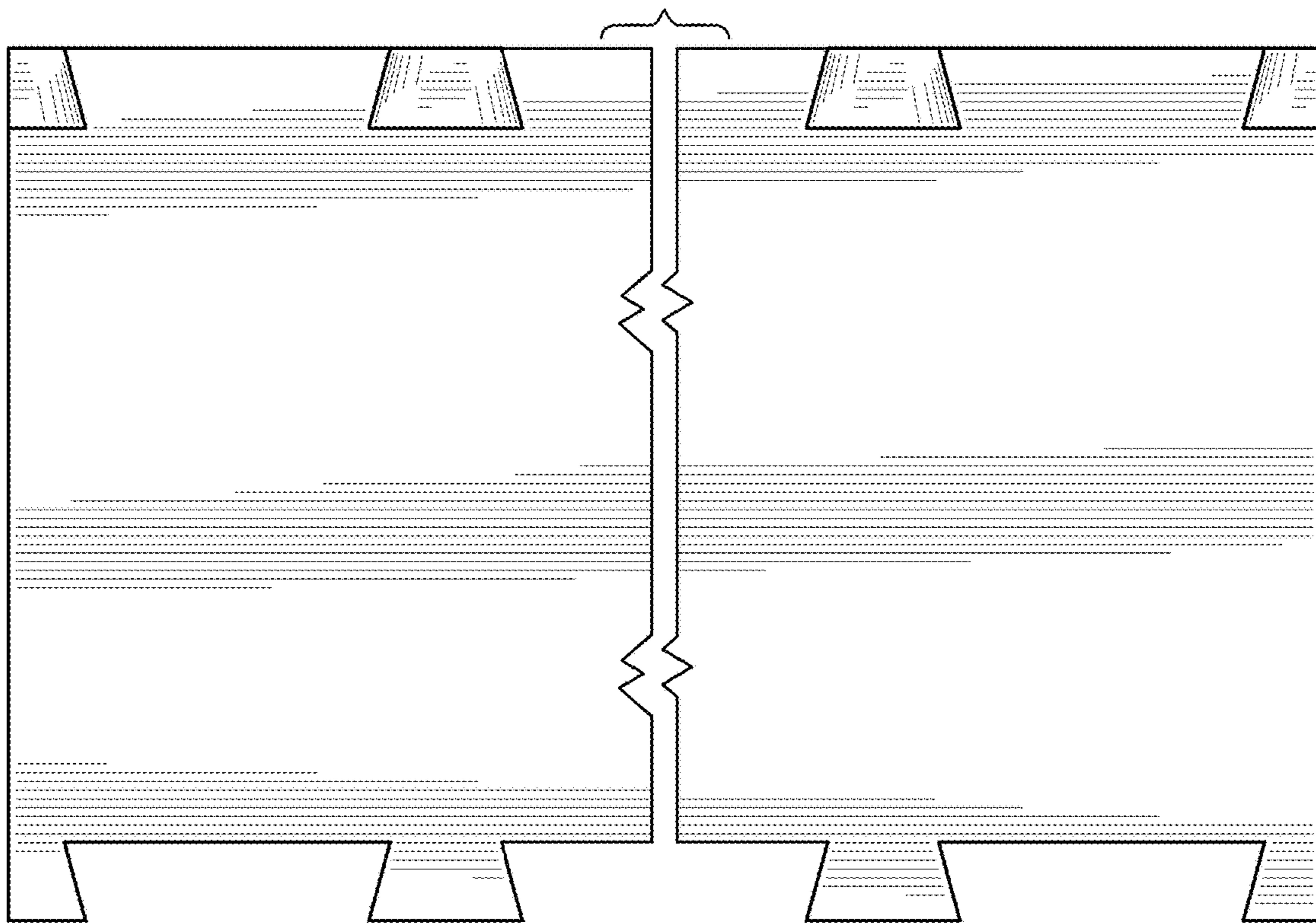


FIG. 4

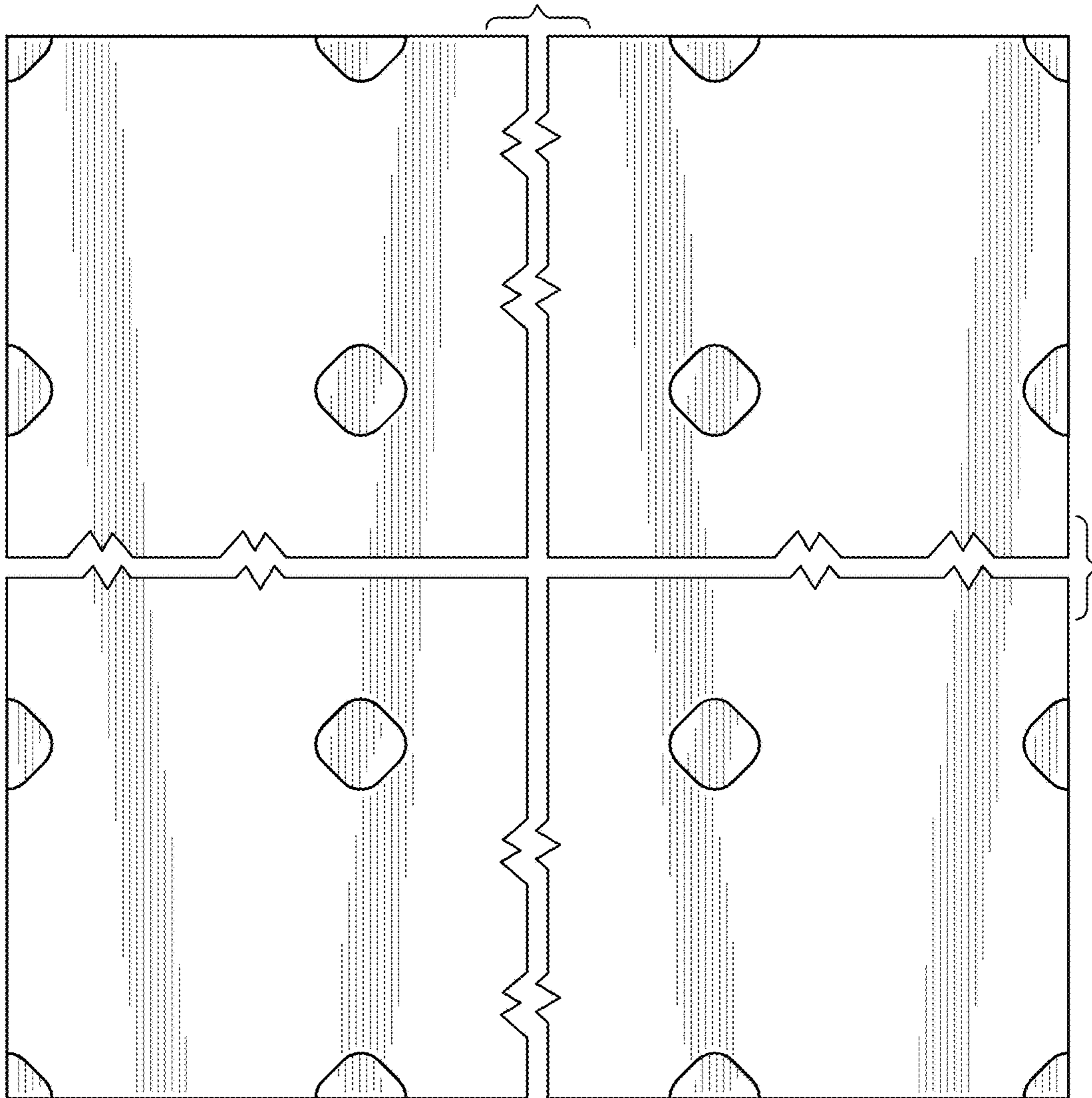


FIG. 5

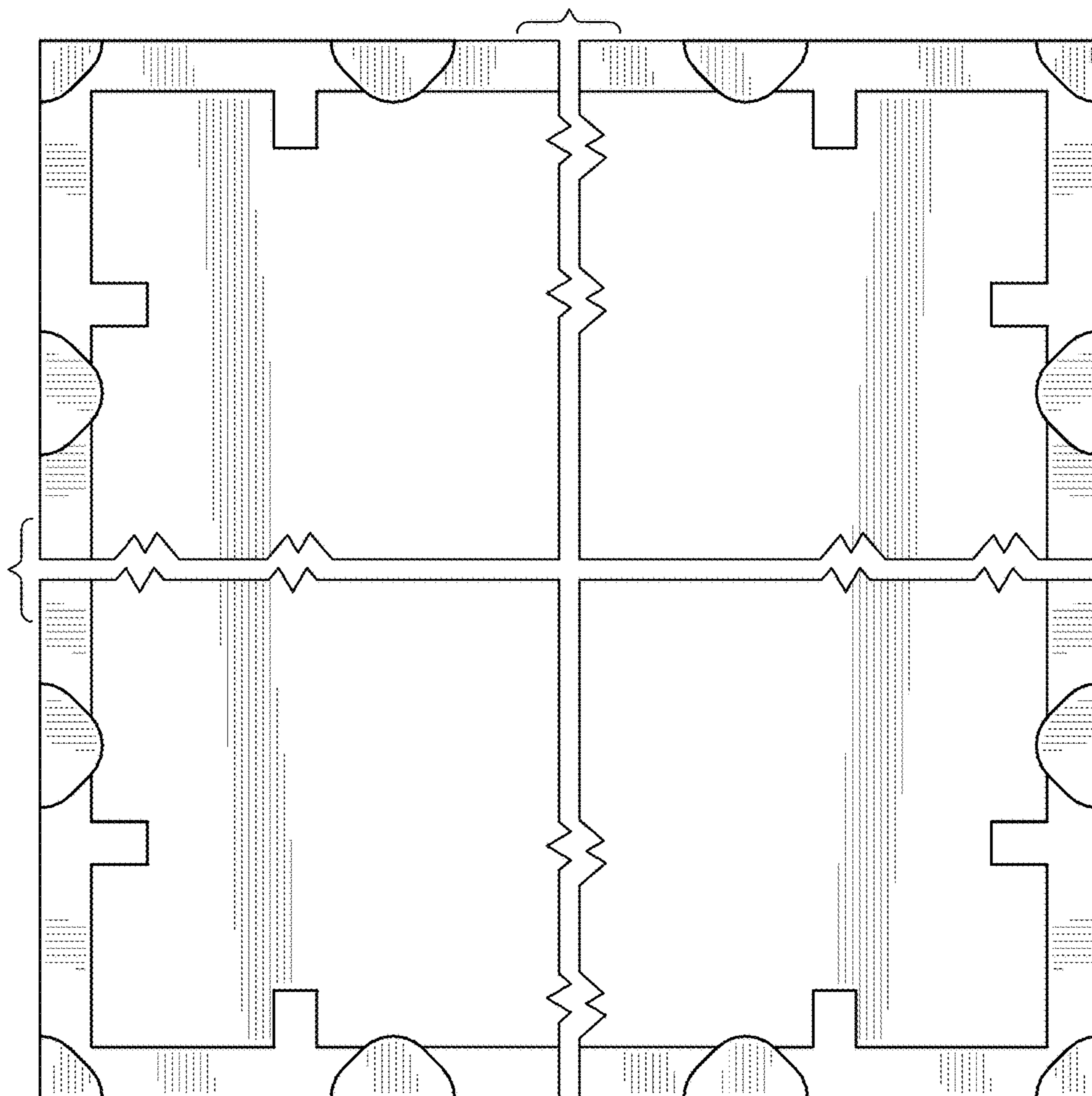


FIG. 6

