



US00D792521S

(12) **United States Design Patent** (10) **Patent No.:** **US D792,521 S**
Laris et al. (45) **Date of Patent:** **** Jul. 18, 2017**

(54) **CLIMBABLE BLOCK**
(71) Applicant: **PLAYWORLD SYSTEMS, INC.**,
Lewisburg, PA (US)
(72) Inventors: **Michael Laris**, Lewisburg, PA (US);
Craig Mellott, Beavertown, PA (US);
Eric Tritsch, Millheim, PA (US);
Gabriela Diego, Milton, PA (US); **Aida**
Abolahrar, Lewisburg, PA (US);
Gregory Scott, Lewisburg, PA (US);
Wendy Frey, Muncy, PA (US);
Jonathan T. Foster, Watsonstown, PA
(US); **Gregory M. Lannan**, Turbotville,
PA (US)

(73) Assignee: **Playworld Systems, Inc.**, Lewisburg,
PA (US)

(**) Term: **15 Years**

(21) Appl. No.: **29/546,955**

(22) Filed: **Nov. 30, 2015**

(51) **LOC (10) Cl.** **21-01**

(52) **U.S. Cl.**
USPC **D21/499**

(58) **Field of Classification Search**
USPC D21/484, 485, 486, 488, 489, 491, 494,
D21/495, 499, 500-504, 814, 826, 827;
446/69, 85, 102-128; 434/208, 259, 403;
273/153, 156, 160; D30/108
CPC A63H 33/00; A63H 33/04; A63H 33/042;
A63H 33/06; A63H 33/08; A63H 33/10;
A63H 33/12; A63H 33/14; A63F 9/08;
A63F 9/12; G09B 1/36
See application file for complete search history.

(56) **References Cited**

U.S. PATENT DOCUMENTS

3,485,494 A * 12/1969 Lieberman A63B 9/00
D21/826
3,561,757 A * 2/1971 Schillig A63B 9/00
D21/826

D224,029 S * 6/1972 Gale et. al D21/826
D224,796 S * 9/1972 Price et al. D21/826
D269,363 S * 6/1983 Dieter D21/826
D336,320 S * 6/1993 Sher D21/499
D343,427 S * 1/1994 Sher 446/128
D351,425 S * 10/1994 Seiler D21/337
D370,045 S * 5/1996 Derbecker D21/826
D512,108 S * 11/2005 Lin D21/499
D531,254 S * 10/2006 Auberger D21/814
D610,212 S * 2/2010 Pedersen D21/499
D614,248 S * 4/2010 Pedersen D21/499
D616,044 S * 5/2010 Tervo D21/499
D616,045 S * 5/2010 Tervo D21/499
D661,762 S * 6/2012 Galinski D21/826
D667,507 S * 9/2012 Reyero D21/484

(Continued)

Primary Examiner — Cynthia M Chin

(74) *Attorney, Agent, or Firm* — Polster, Lieder, Woodruff
& Lucchesi, LC

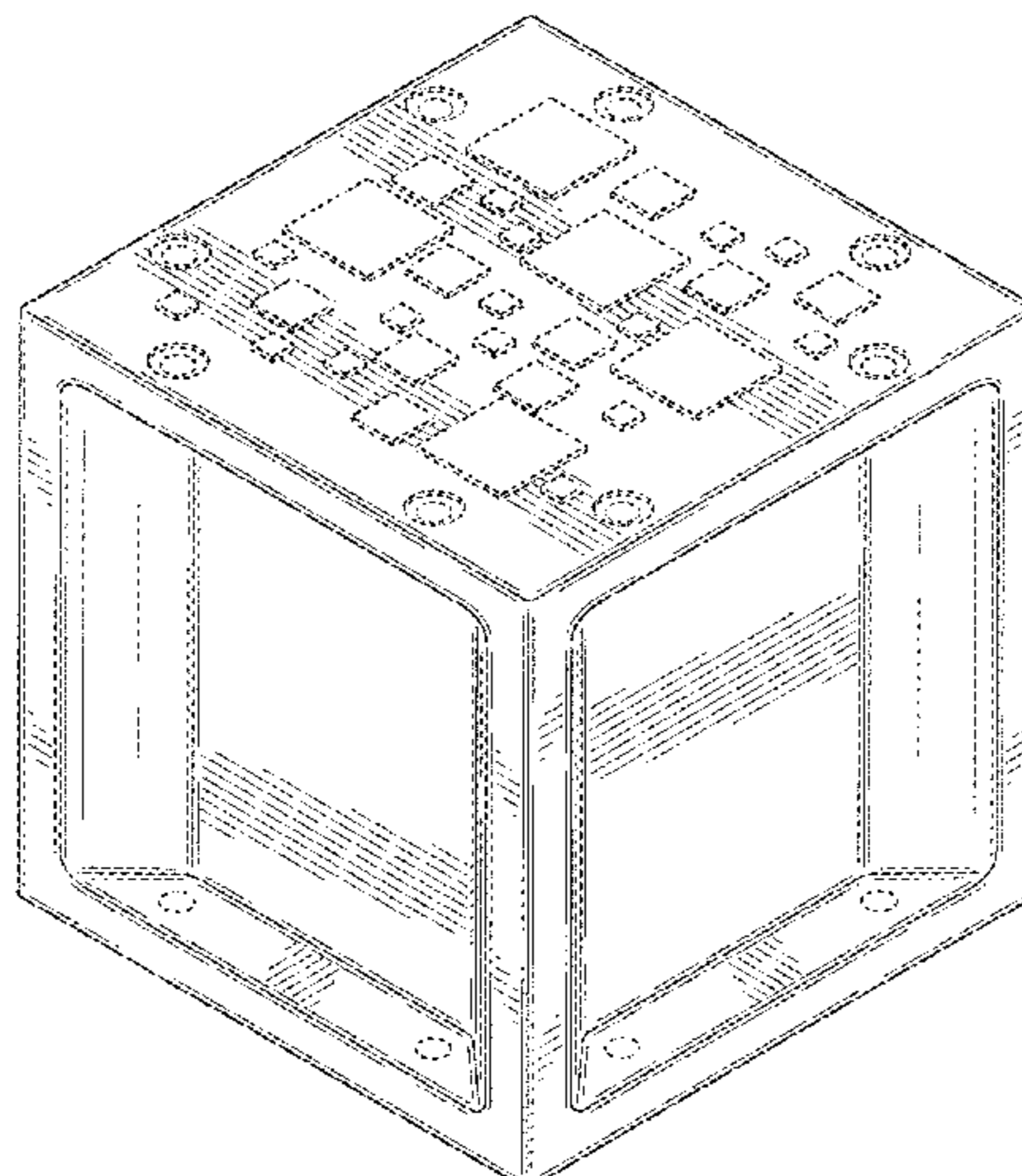
(57) **CLAIM**

The ornamental design for a climbable block, as shown and
described.

DESCRIPTION

FIG. 1 is a top-front-right side perspective view of a
climbable block, showing the design;
FIG. 2 is a bottom-front-right side perspective view of the
climbable block;
FIG. 3 is a top view of the climbable block;
FIG. 4 is a bottom view of the climbable block;
FIG. 5 is a front view of the climbable block;
FIG. 6 is a rear view of the climbable block;
FIG. 7 is a right side view of the climbable block; and,
FIG. 8 is a left side view of the climbable block.
The broken lines in the drawings illustrate features that form
no part of the claim.

1 Claim, 8 Drawing Sheets



(56)

References Cited

U.S. PATENT DOCUMENTS

D698,869 S * 2/2014 Strzelewicz D21/499
D735,952 S * 8/2015 Otto D30/108
D754,263 S * 4/2016 Wolff D21/499

* cited by examiner

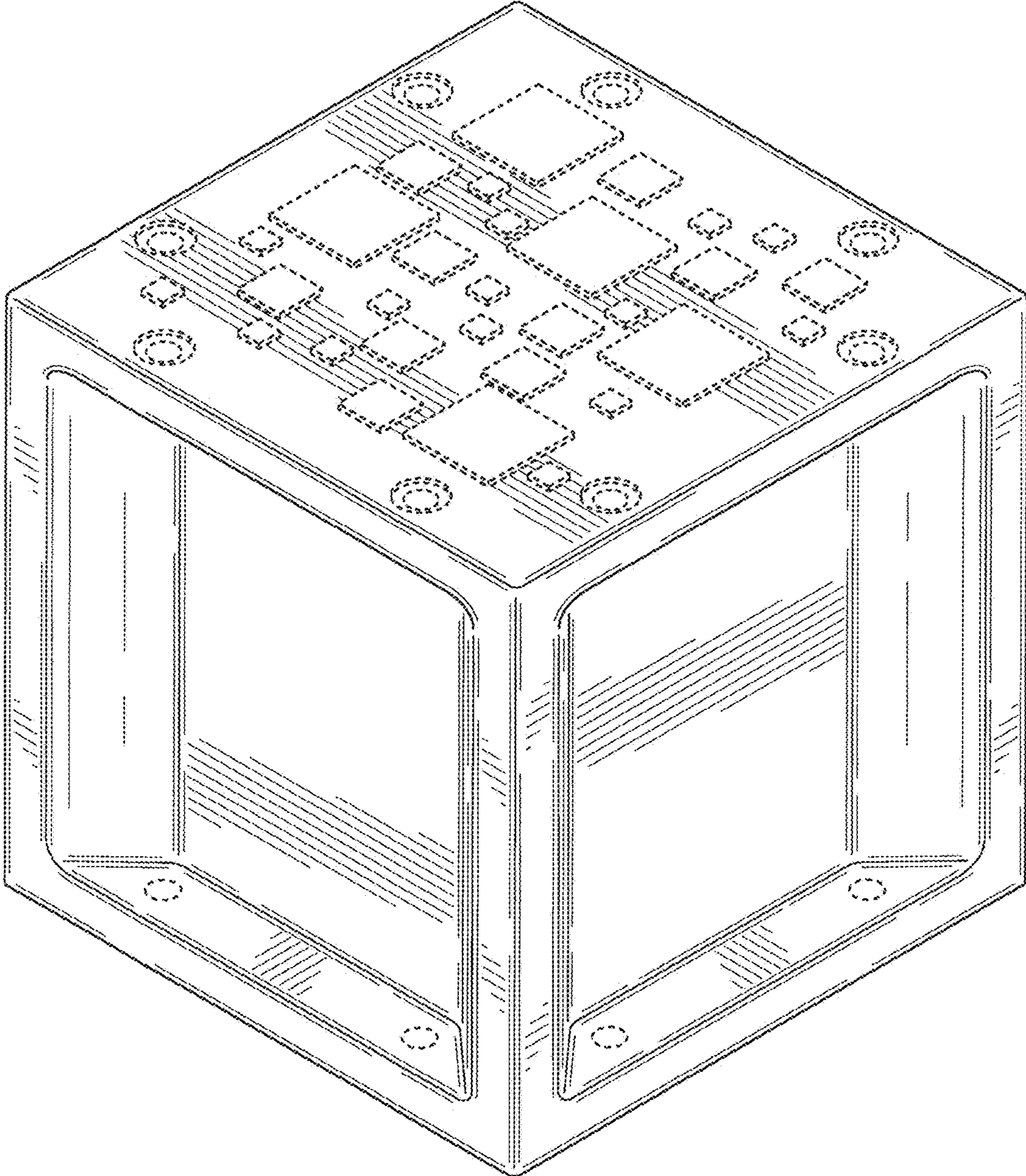


FIG. 1

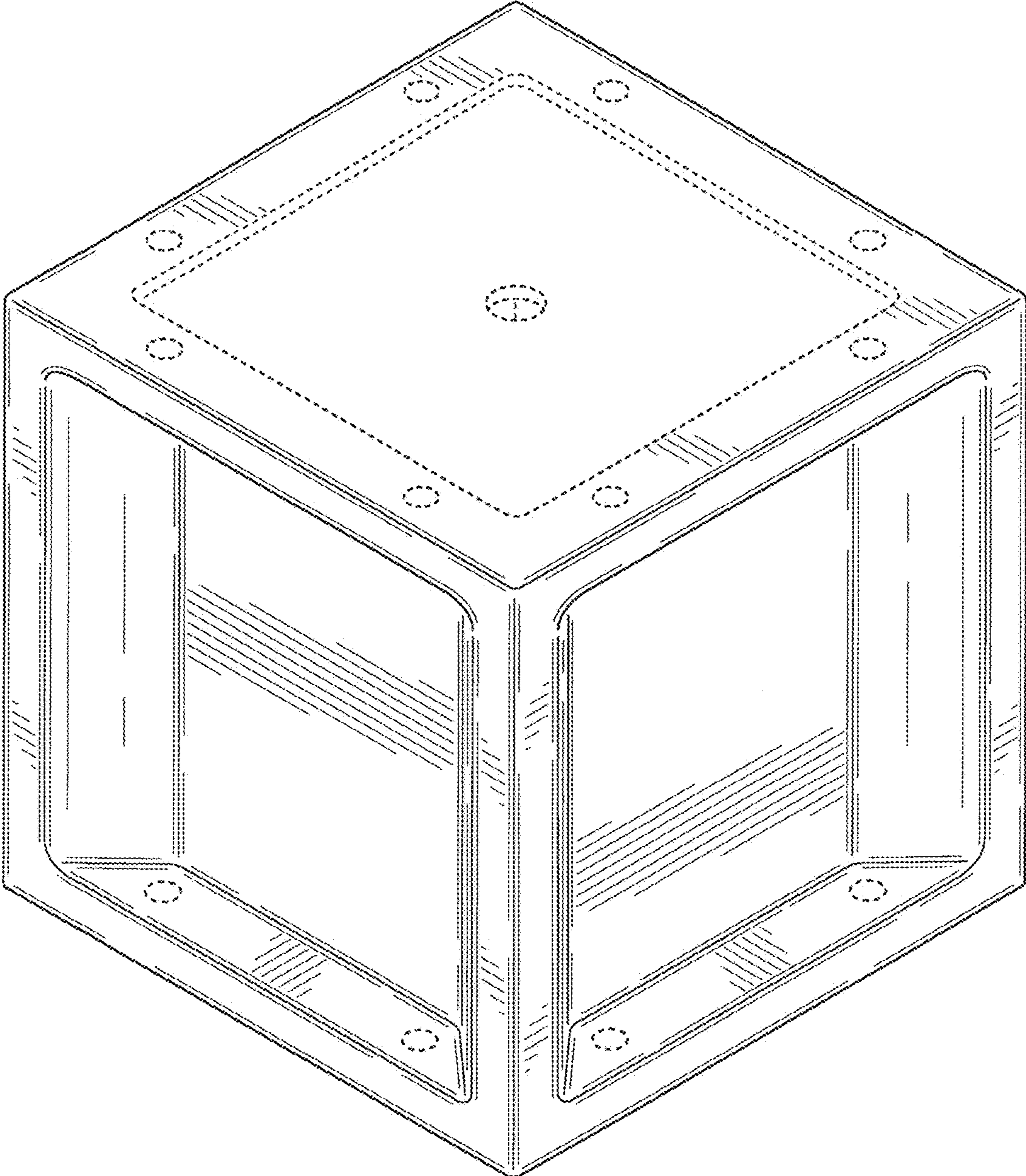


FIG. 2

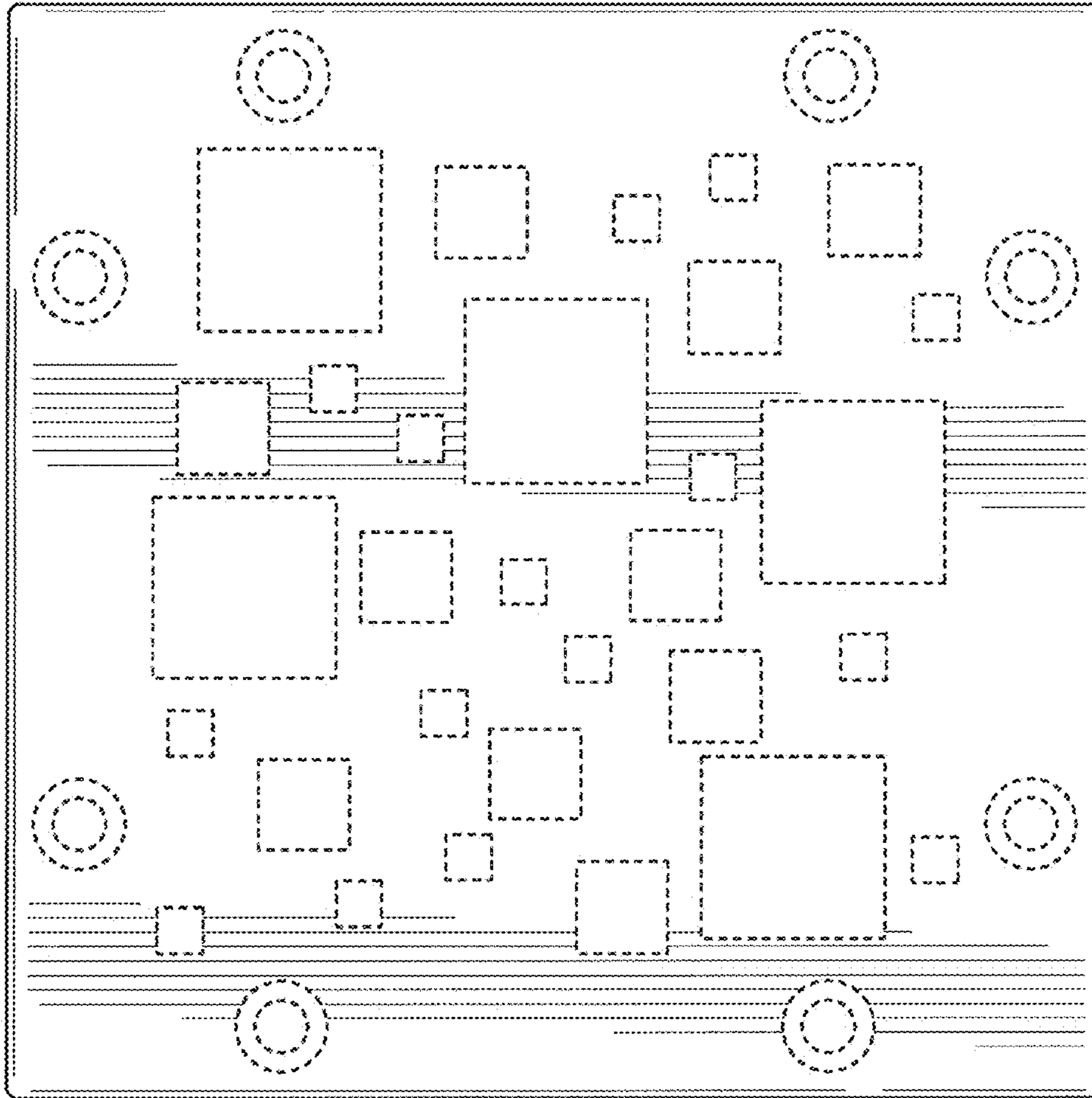


FIG. 3

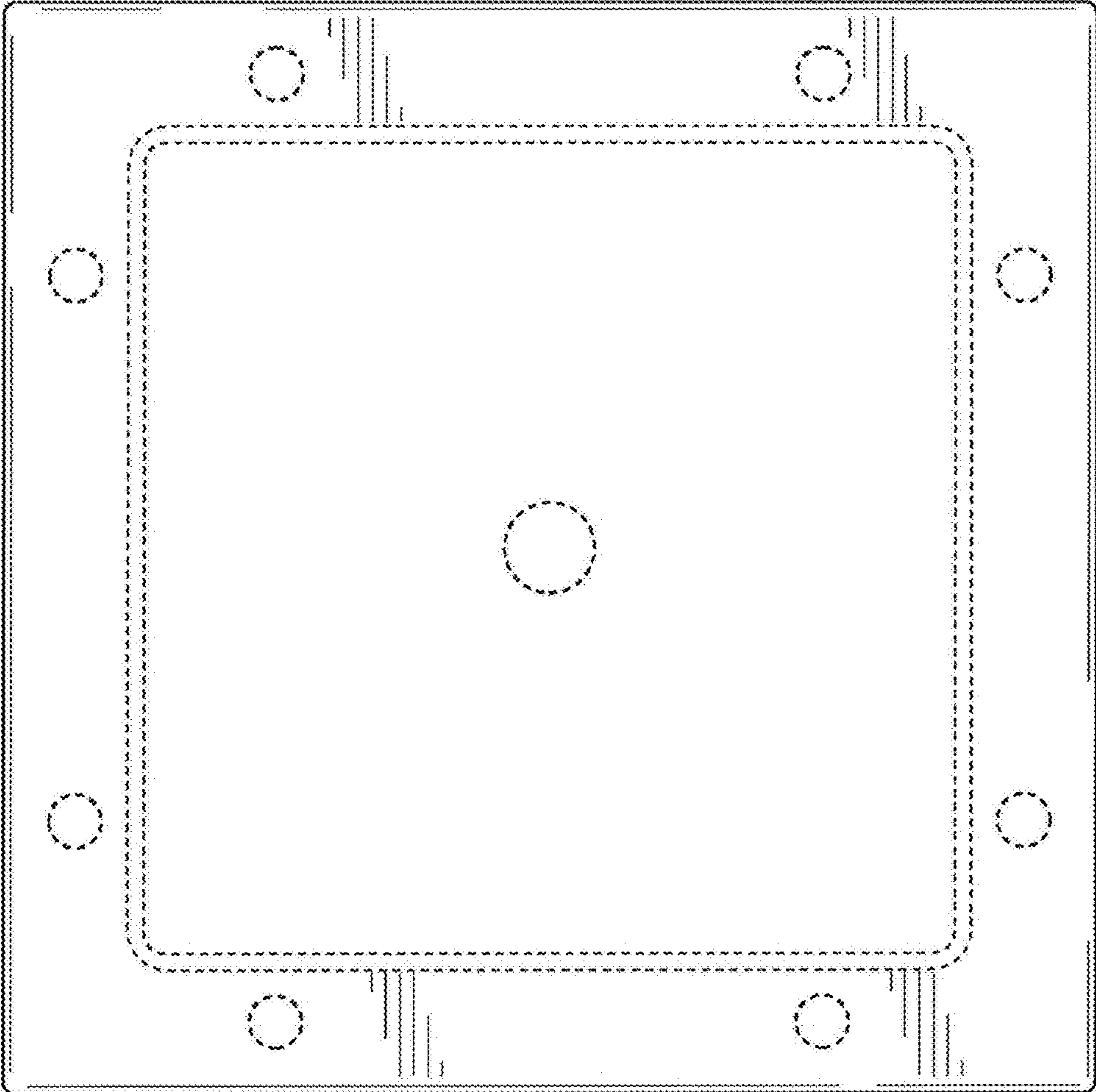


FIG. 4

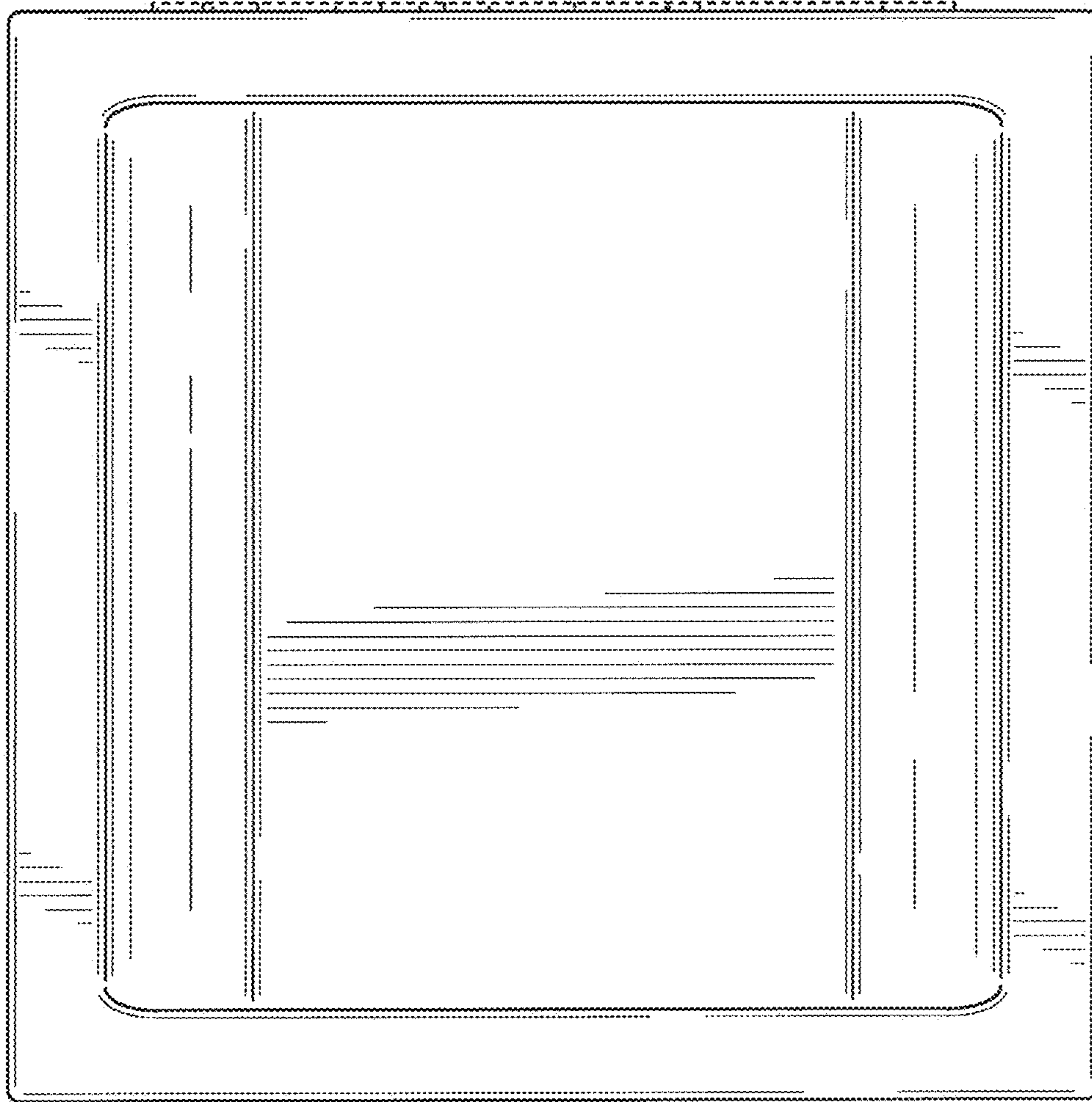


FIG. 5

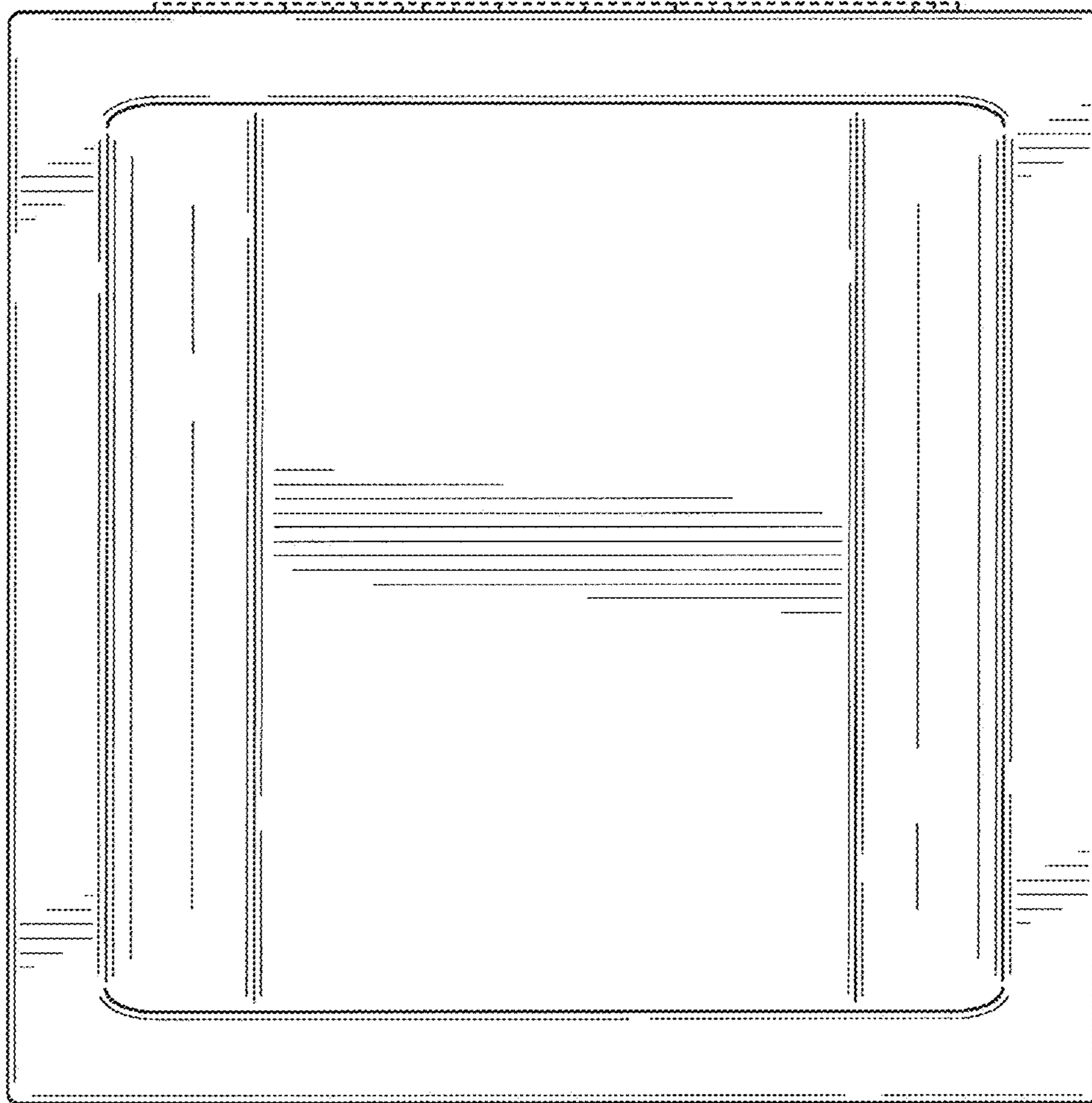


FIG. 6

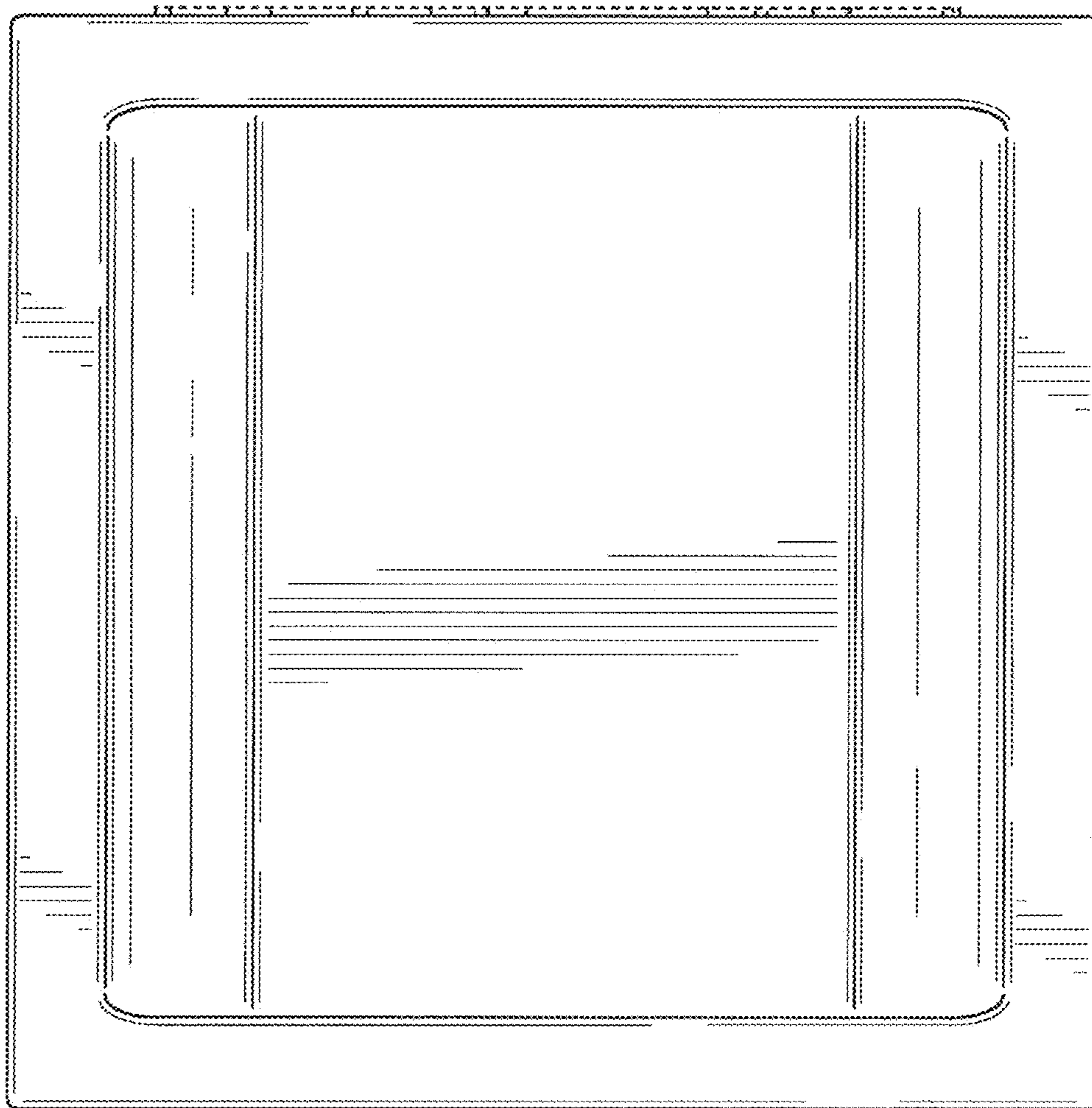


FIG. 7

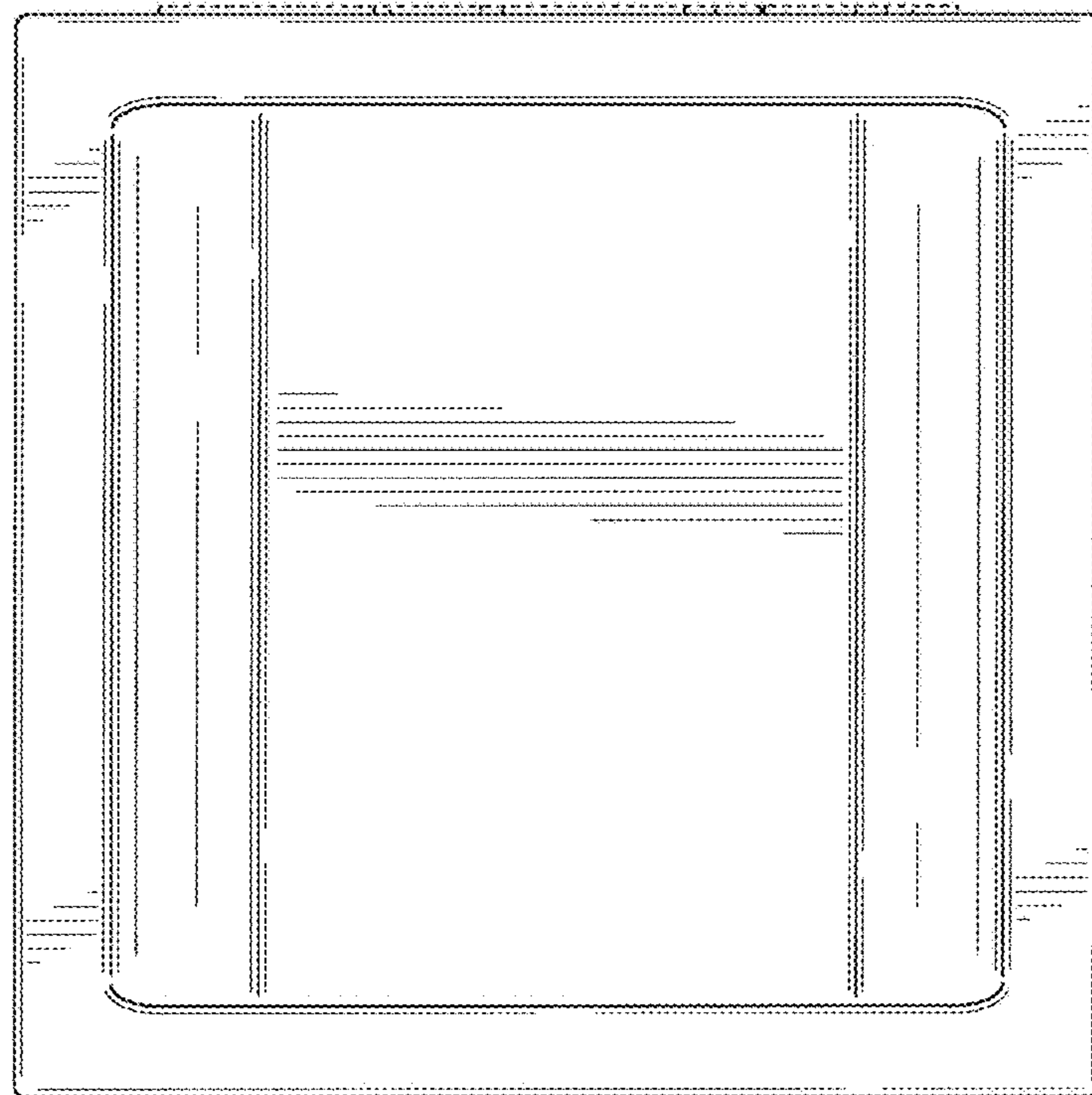


FIG. 8