

US00D792519S

(12) **United States Design Patent** (10) **Patent No.:** **US D792,519 S**
Vadenne et al. (45) **Date of Patent:** **** Jul. 18, 2017**

(54) **WRITING INSTRUMENT**

(71) Applicant: **Societe BIC**, Clichy (FR)
(72) Inventors: **Franck Vadenne**, Bezons (FR);
Menghan-Mew Liu, Changning District
(CN)

(73) Assignee: **Societe BIC**, Clichy (FR)

(**) Term: **15 Years**

(21) Appl. No.: **29/534,225**

(22) Filed: **Jul. 27, 2015**

(30) **Foreign Application Priority Data**

Jan. 27, 2015 (EM) 002620716-0002

(51) **LOC (10) Cl.** **19-06**

(52) **U.S. Cl.**
USPC **D19/179**; D19/918; D19/929

(58) **Field of Classification Search**
USPC D14/411; D19/115-204
CPC ... B43K 5/00; B43K 7/00; B43K 7/10; B43K
7/12; B43K 8/04; B43K 19/00; B43K
19/02; B43K 19/14
See application file for complete search history.

(56) **References Cited**

U.S. PATENT DOCUMENTS

2,428,960 A * 10/1947 Cloutier B43K 7/02
401/213
D150,224 S * 7/1948 Green et al. D19/179
D178,033 S * 6/1956 Young et al. D19/179
D181,841 S * 1/1958 Doman D19/186
D191,998 S * 12/1961 Doman D19/179
D217,646 S * 5/1970 De Groft D19/179
3,671,132 A * 6/1972 Wittnebert B43K 8/18
401/199

D266,258 S * 9/1982 Lockwood D19/179
D282,672 S * 2/1986 LeBlanc D19/179
D284,773 S * 7/1986 Schwartz D19/184
D393,485 S * 4/1998 Bussiere D19/179
D416,576 S * 11/1999 Briggel D19/178
6,379,065 B2 * 4/2002 Perry B41J 29/02
400/352
D531,217 S * 10/2006 Hirota D19/184
D591,348 S * 4/2009 Yu D19/168
D646,718 S * 10/2011 Kim D19/168
D682,354 S * 5/2013 Kermoal D19/179
D683,404 S * 5/2013 Kermoal D19/200
D692,483 S * 10/2013 Laemle D19/172
D704,773 S * 5/2014 Ke D19/186
D708,265 S * 7/2014 Debbas D19/199
D747,770 S * 1/2016 Nishida D19/199
D763,960 S * 8/2016 Zhang D19/171
D771,190 S * 11/2016 Laemle D19/197
D777,257 S * 1/2017 Fleming D19/196

* cited by examiner

Primary Examiner — Elizabeth Albert
(74) *Attorney, Agent, or Firm* — Ohlandt, Greeley,
Ruggiero & Perle, L.L.P.

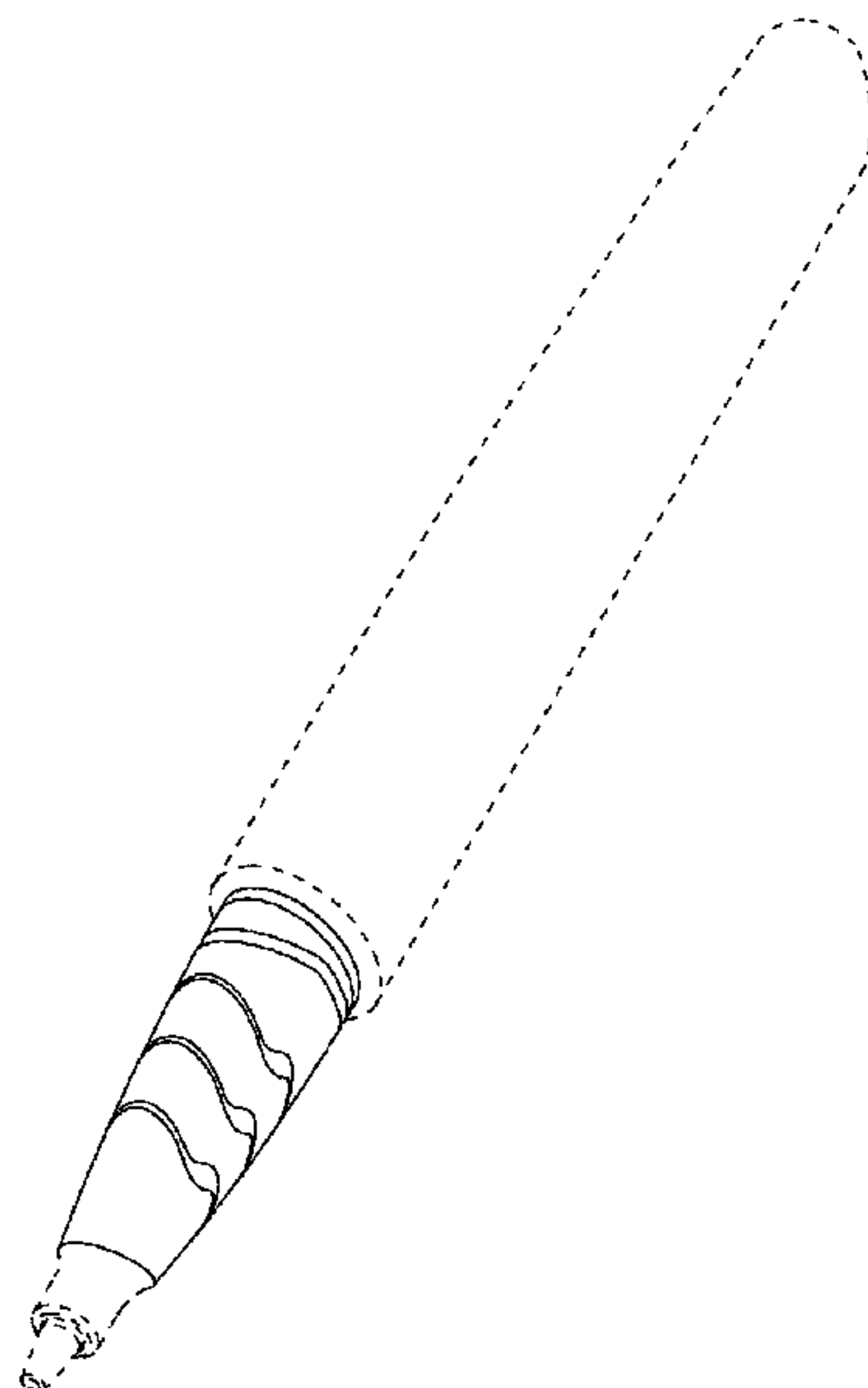
(57) **CLAIM**

The ornamental design for a writing instrument, as shown and described.

DESCRIPTION

FIG. 1 is a front perspective view of an ornamental design for a writing instrument according to the present invention; FIG. 2 is a bottom plan view thereof; FIG. 3 is a top plan view thereof; FIG. 4 is a back side view thereof; FIG. 5 is a front side view thereof; FIG. 6 is a right side view thereof; and, FIG. 7 is a left side view.

1 Claim, 7 Drawing Sheets



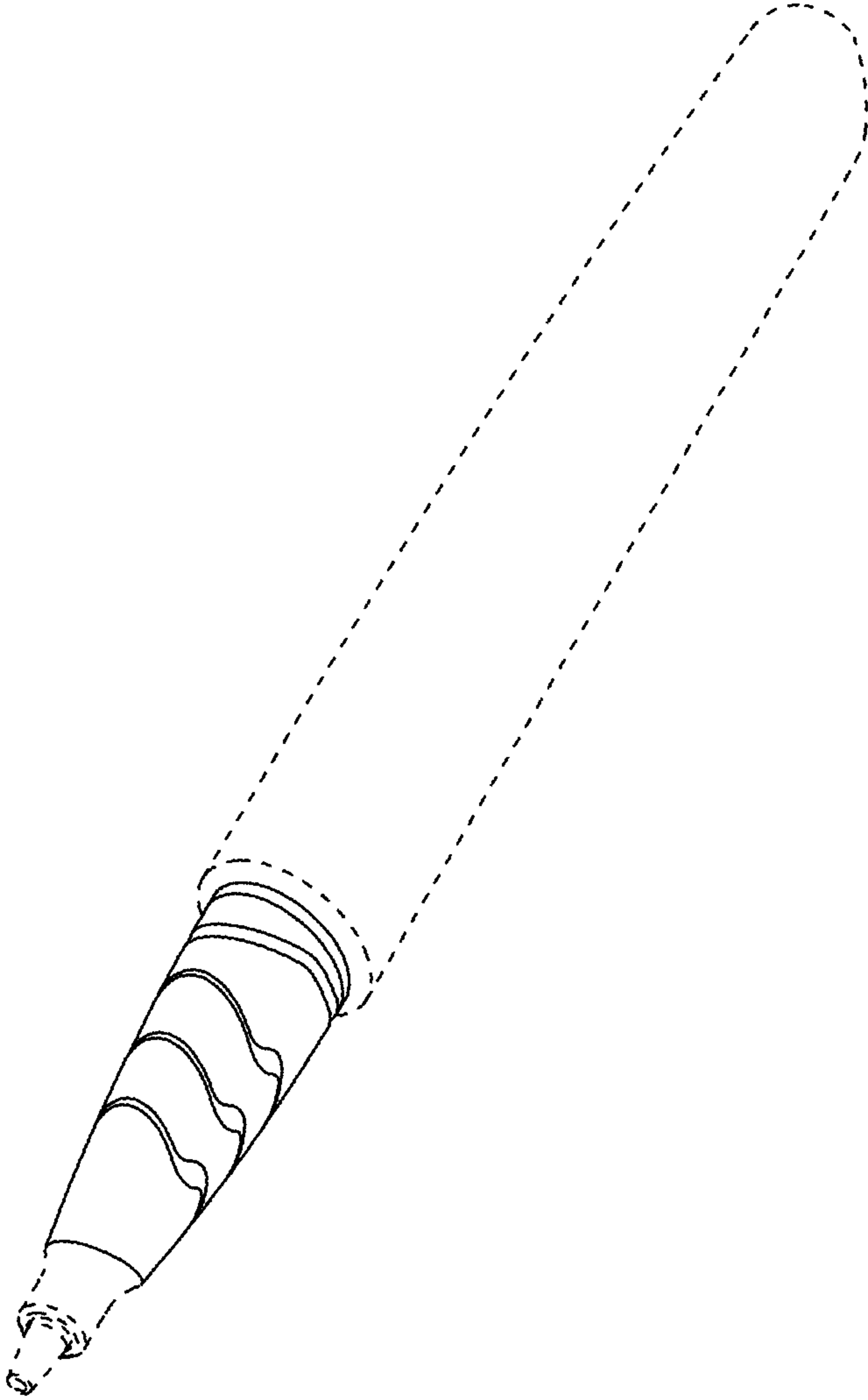


Fig. 1

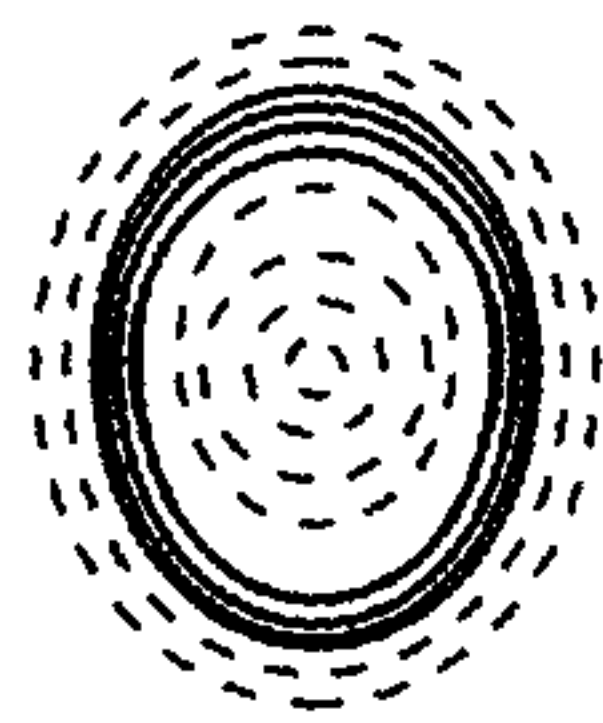


Fig. 2

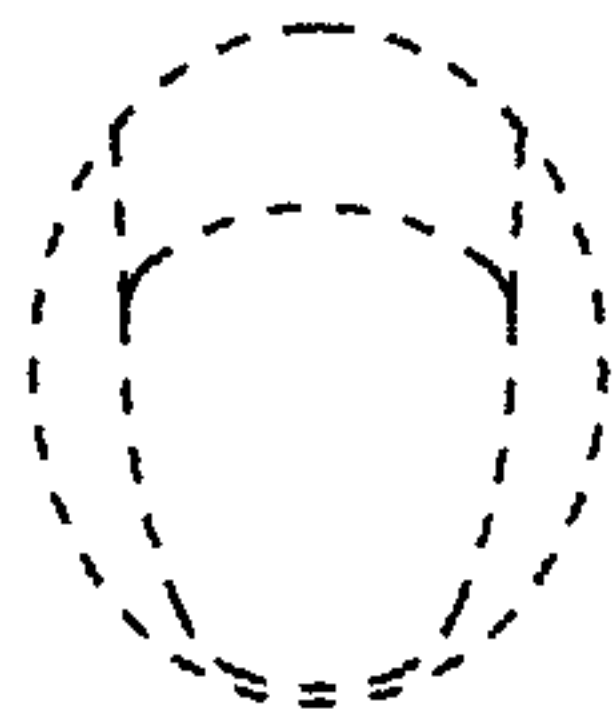


Fig. 3

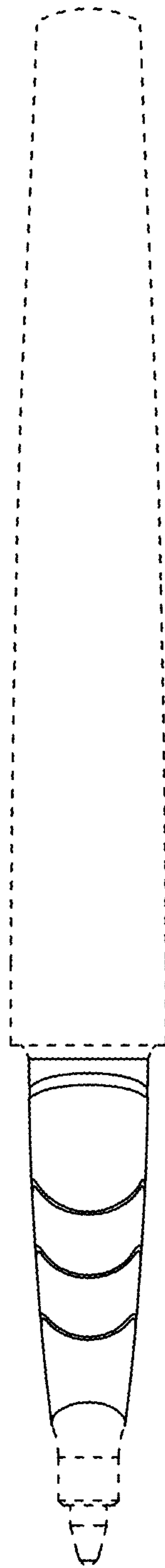


Fig. 4

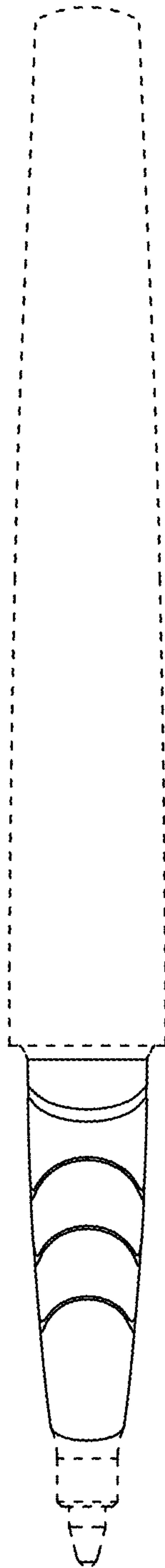


Fig. 5

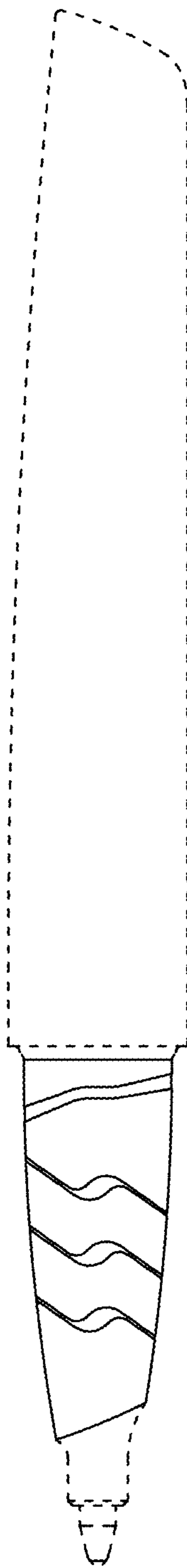


Fig. 6

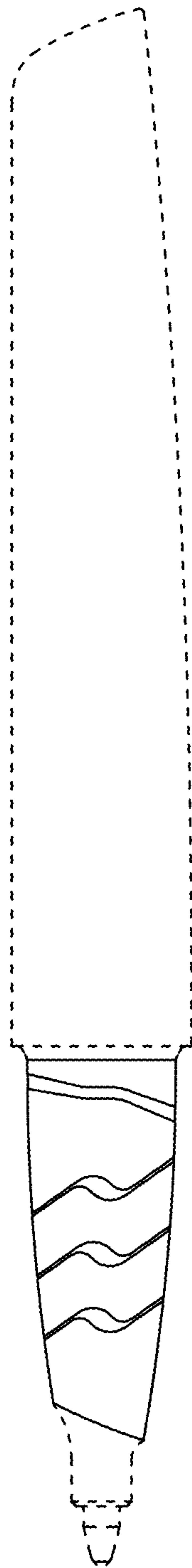


Fig. 7