



US00D792516S

(12) **United States Design Patent**
Racamier

(10) **Patent No.:** **US D792,516 S**
(45) **Date of Patent:** **** Jul. 18, 2017**

(54) **COMPASS HEAD**
(71) Applicant: **MAPED**, Argonay (FR)
(72) Inventor: **Daniel Racamier**, La Balme de Sillingy (FR)
(**) Term: **15 Years**
(21) Appl. No.: **35/500,273**
(22) Filed: **Oct. 1, 2015**

D456,039 S * 4/2002 Bardet D19/38
D469,804 S * 2/2003 Bardet D19/38
D470,178 S * 2/2003 Racamier D19/38
D504,912 S * 5/2005 Racamier D19/38
D504,913 S * 5/2005 Racamier D19/38
D504,914 S * 5/2005 Racamier D19/38
D505,451 S * 5/2005 Racamier D19/38
6,889,440 B2 * 5/2005 Okada B43L 9/04
33/18.1
7,937,843 B2 * 5/2011 Partes B43L 9/02
33/27.02
D714,864 S * 10/2014 Farnworth D19/38
D747,411 S * 1/2016 Olschan D19/38

(80) **Hague Agreement Data**
Int. Filing Date: **Oct. 1, 2015**
Int. Reg. No.: **DM/088108**
Int. Reg. Date: **Oct. 1, 2015**
Int. Reg. Pub. Date: **Nov. 20, 2015**
(51) **LOC (10) Cl.** **19-06**
(52) **U.S. Cl.**
USPC **D19/38**
(58) **Field of Classification Search**
USPC D19/37, 38, 101, 108
CPC B43L 9/02; B43L 9/025; B43L 9/16; B43L 9/18; B43L 9/20; B43L 9/22; B43L 9/24; G01B 3/166
See application file for complete search history.

* cited by examiner

Primary Examiner — Elizabeth Albert

(57) **CLAIM**

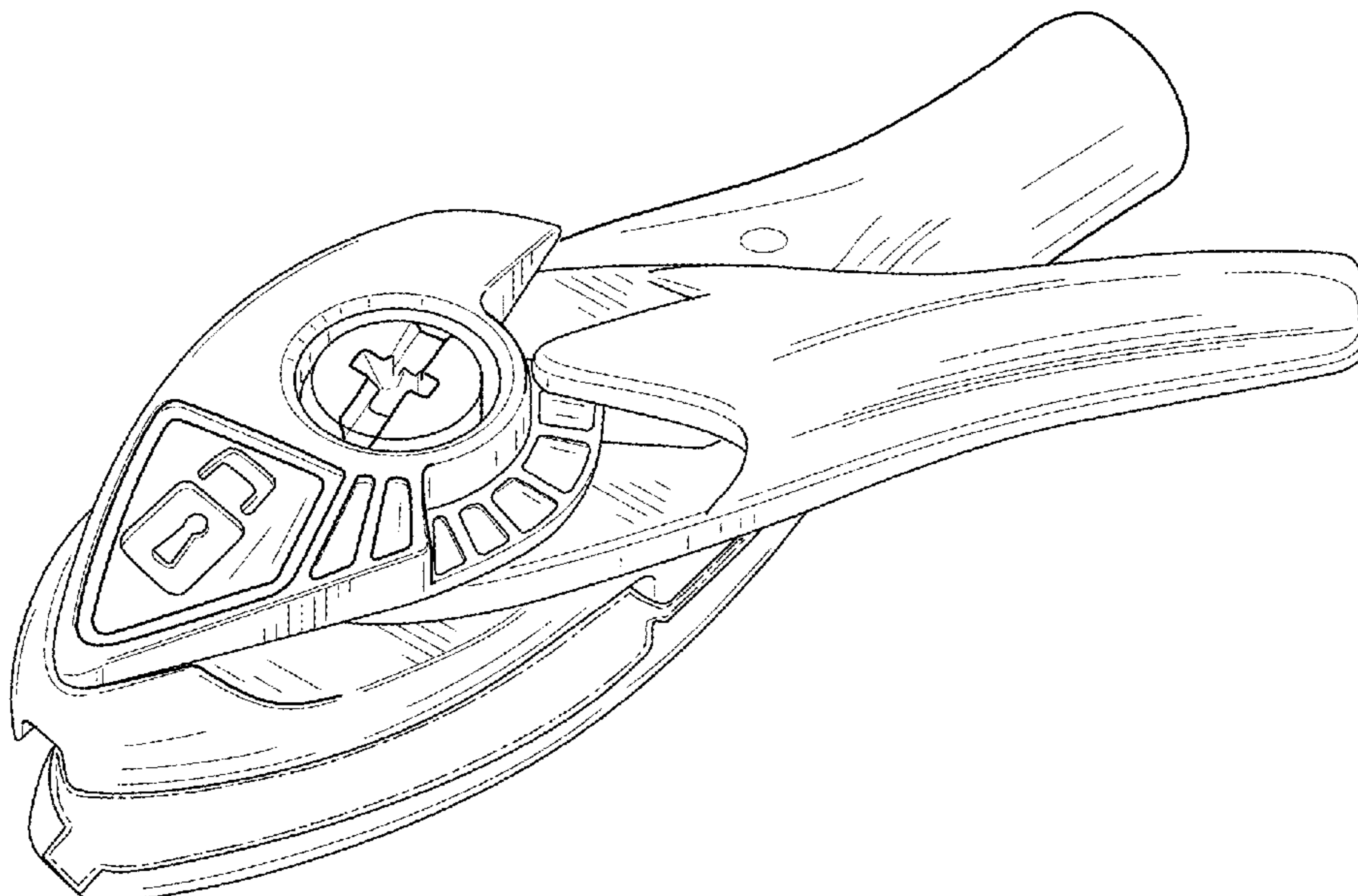
The ornamental design for a compass head, as shown and described.

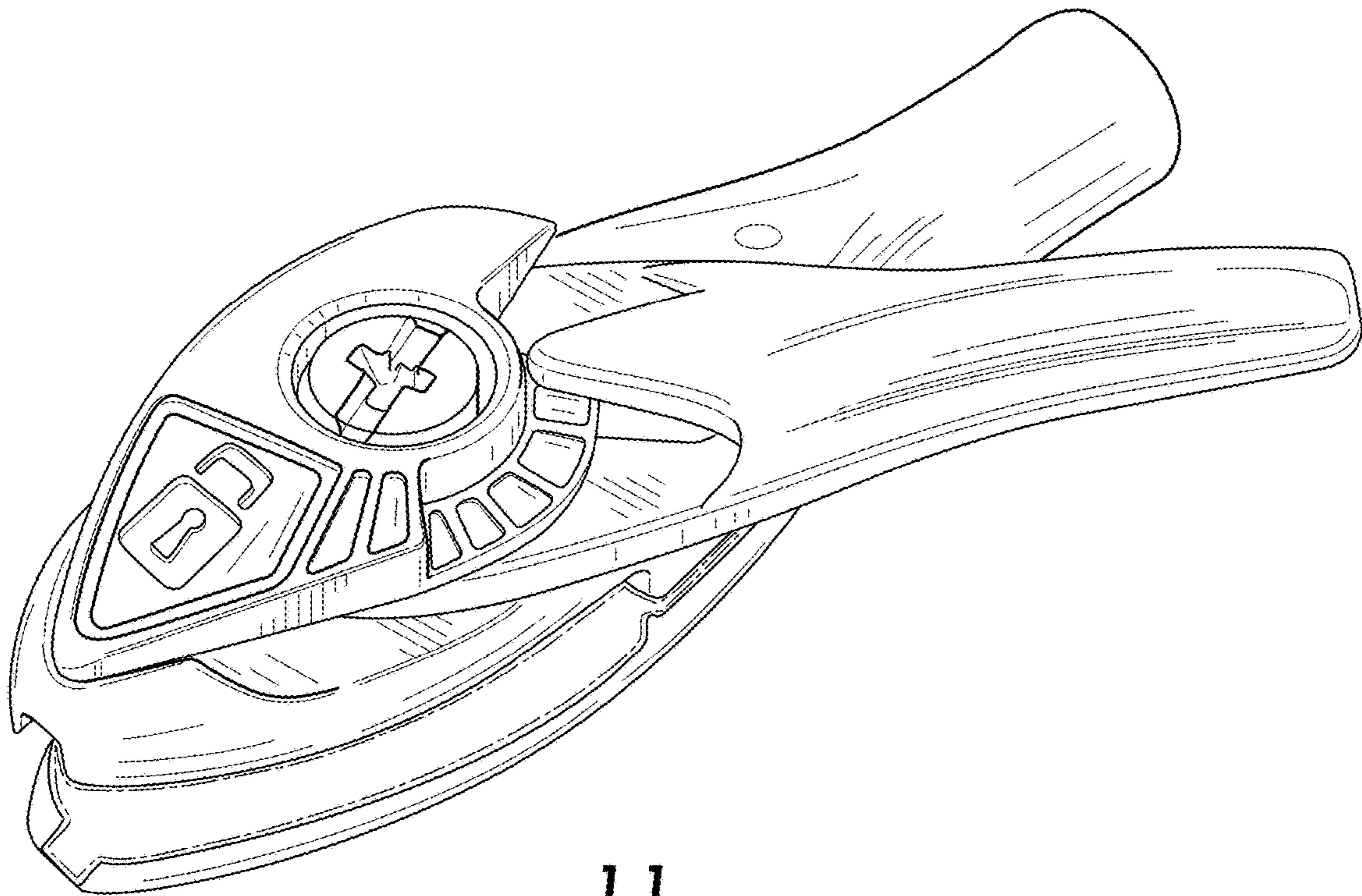
DESCRIPTION

1.1 is a front perspective view of a compass head in a first position;
1.2 is a perspective view thereof in a second position;
1.3 is a top plan view thereof;
1.4 is a bottom plan view thereof;
1.5 is a top plan view thereof in the first position;
1.6 is a side view thereof in the second position;
1.7 is an opposite side view thereof; and
1.8 is a rear view thereof.
The long and short broken lines in **1.1** and **1.2** that define the bounds of the claimed design form no part thereof. The evenly spaced broken lines in **1.6** show a portion of the compass head that forms no part of the claimed design.

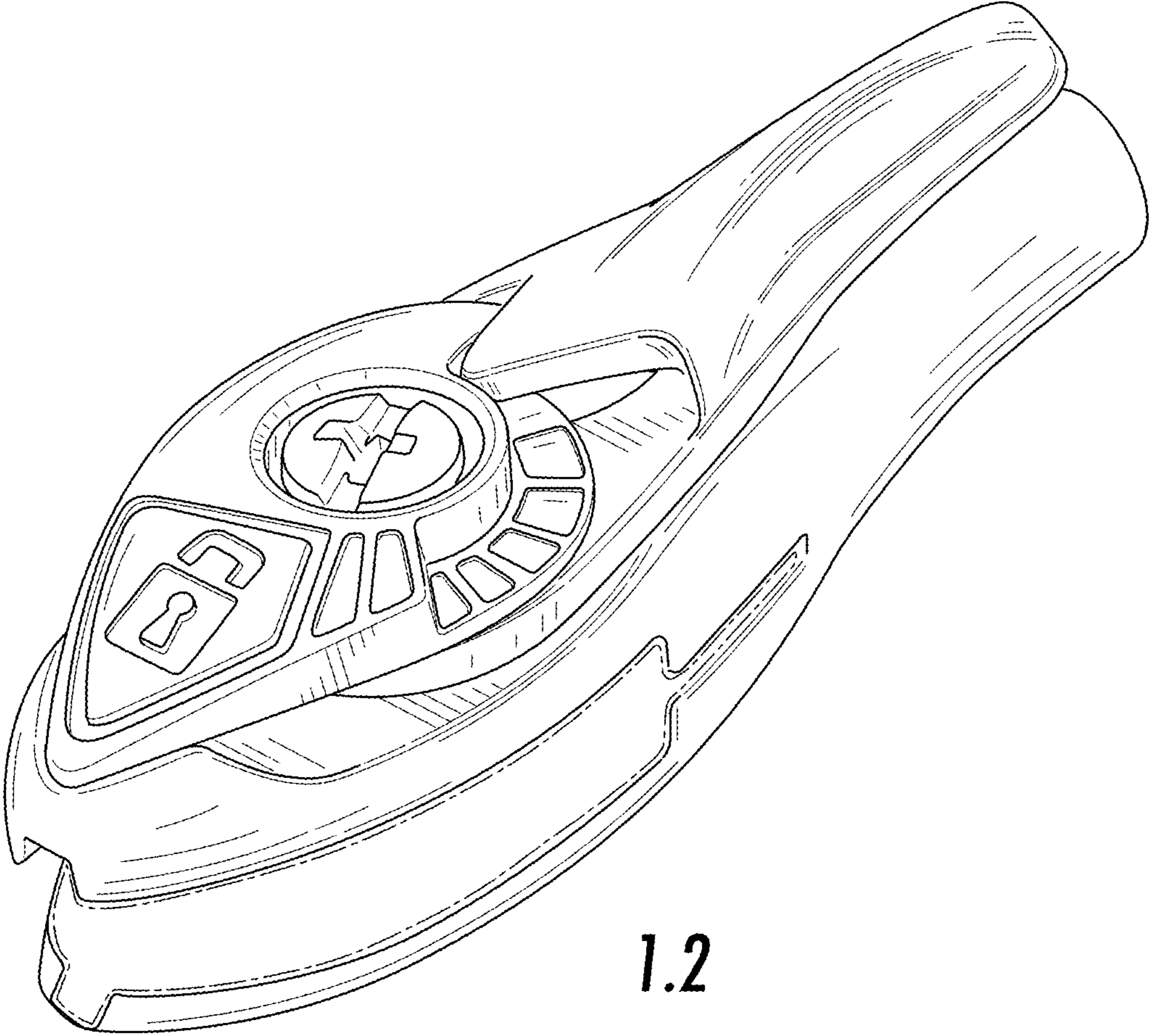
(56) **References Cited**
U.S. PATENT DOCUMENTS
730,388 A * 6/1903 Oberbeck B43L 9/02
33/27.02
1,503,934 A * 8/1924 Akashi B43L 9/20
33/558.5
5,090,127 A * 2/1992 Shapiro G01B 3/166
33/27.02
D453,530 S * 2/2002 Bardet D19/38

1 Claim, 5 Drawing Sheets

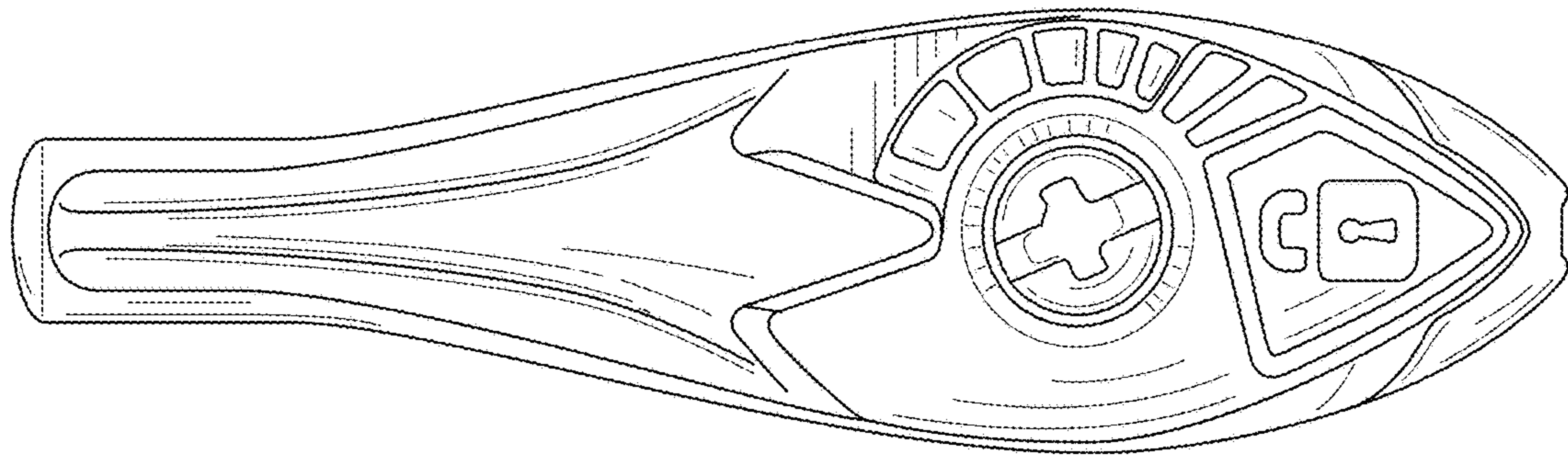




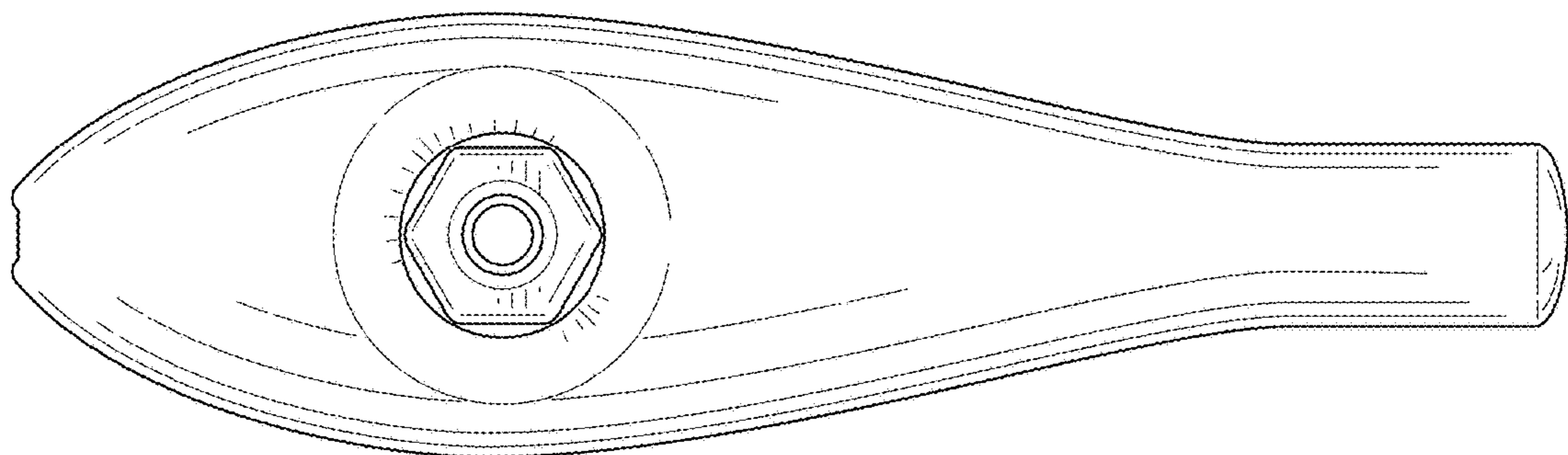
1.1



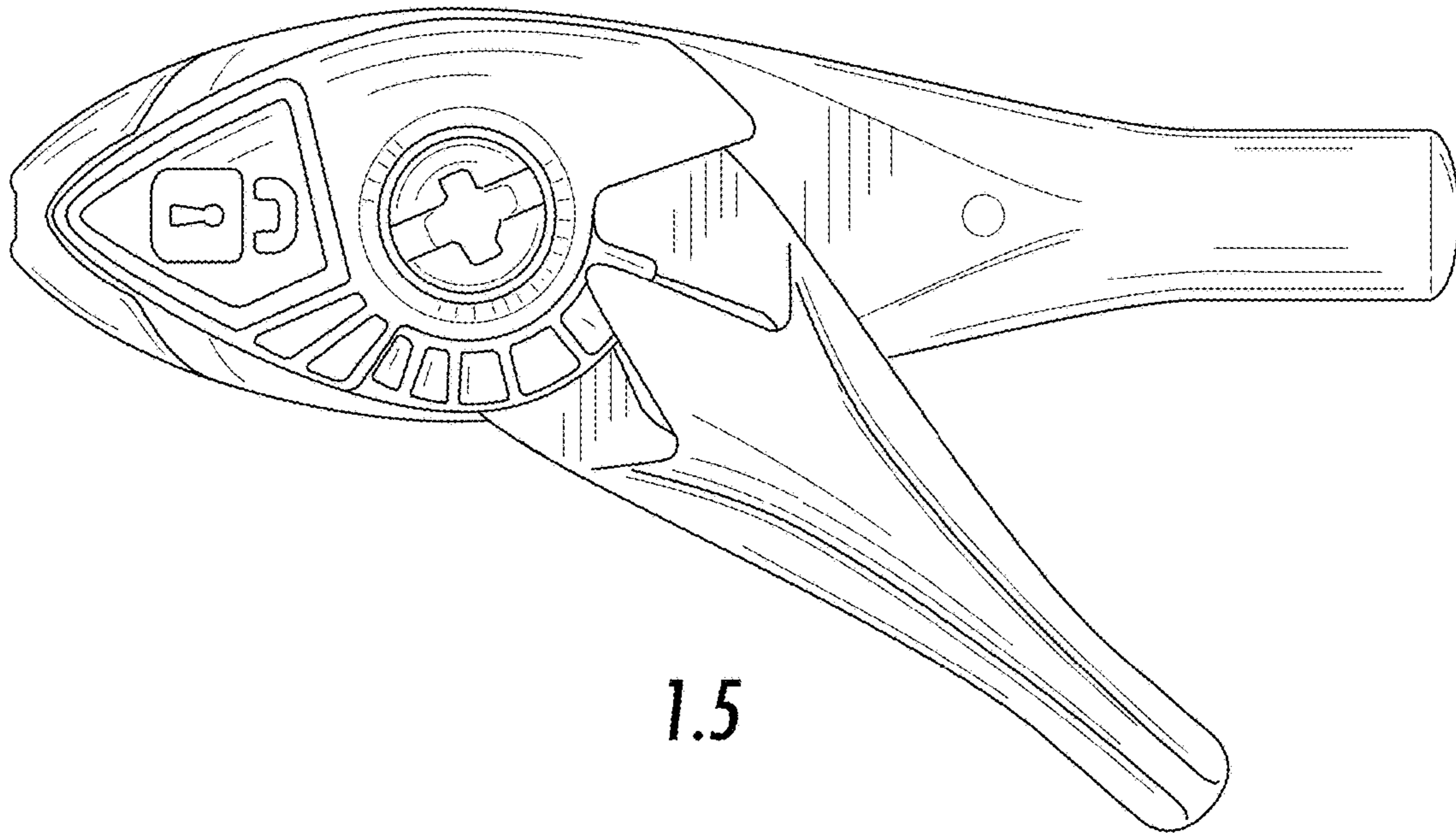
1.2



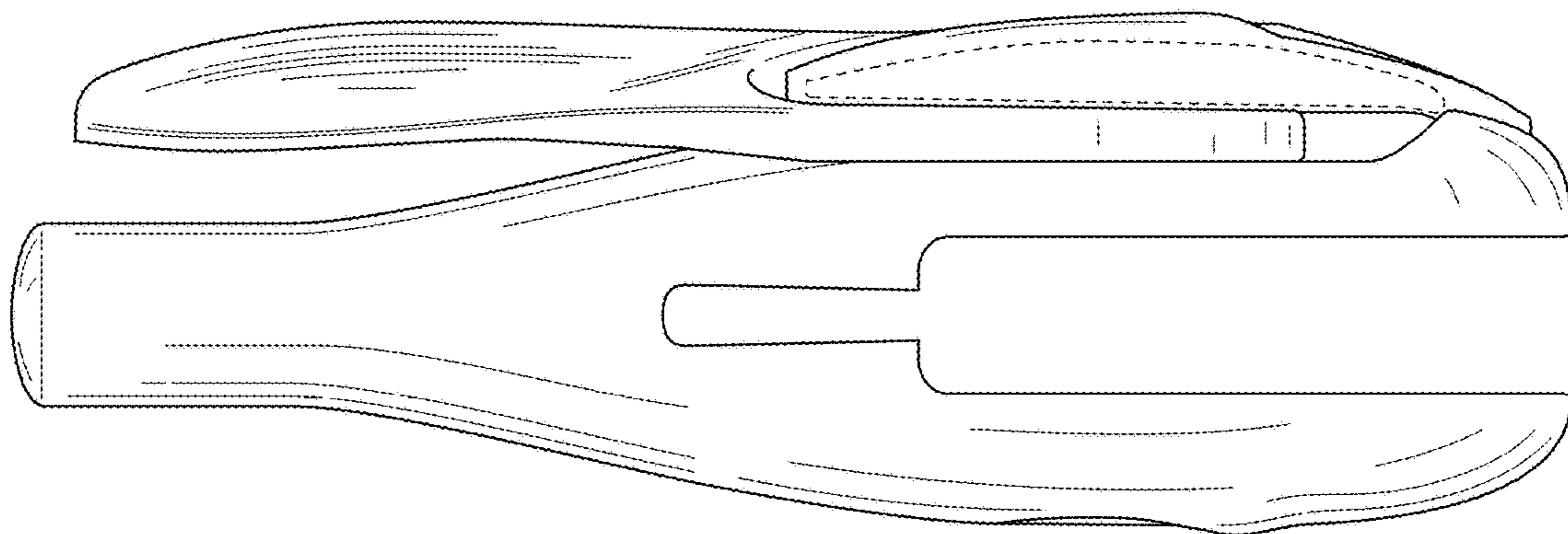
1.3



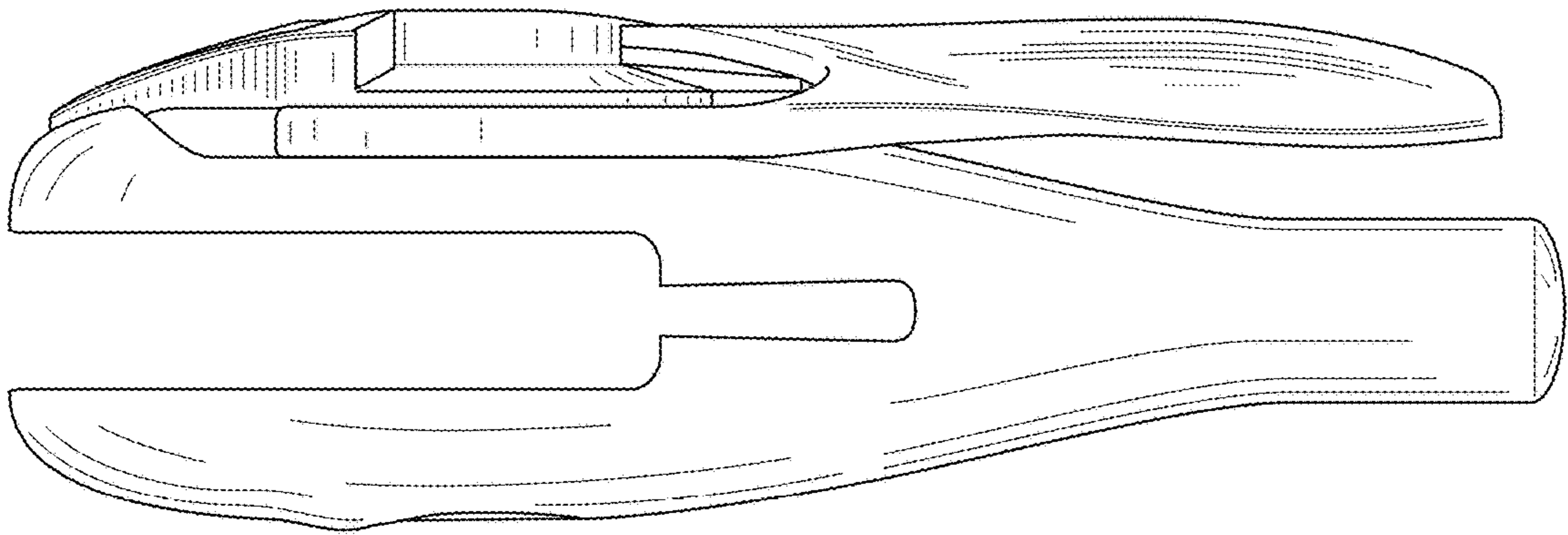
1.4



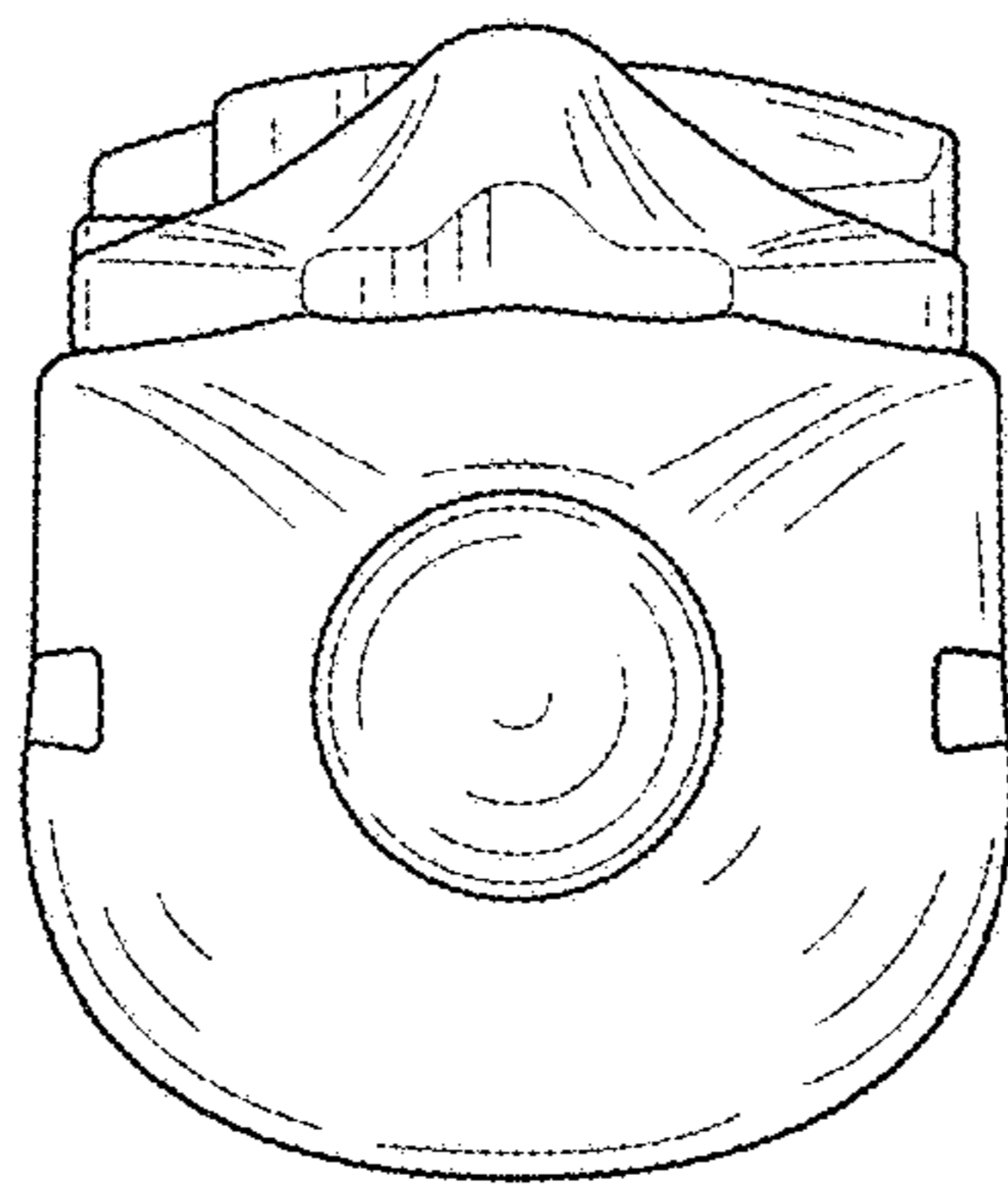
1.5



1.6



1.7



1.8