



US00D792515S

(12) **United States Design Patent**
Qian

(10) **Patent No.:** **US D792,515 S**

(45) **Date of Patent:** **** Jul. 18, 2017**

(54) **RING BINDER**

(71) Applicant: **Fujian Zhongde Stationery Co., Ltd.**,
Nanping (CN)

(72) Inventor: **Fengwu Qian**, Nanping (CN)

(73) Assignee: **Fujian Zhongde Stationery Co., Ltd.**,
Nanping, Fujian (CN)

(**) Term: **15 Years**

(21) Appl. No.: **29/561,645**

(22) Filed: **Apr. 18, 2016**

(51) **LOC (10) Cl.** **19-04**

(52) **U.S. Cl.**
USPC **D19/32**

(58) **Field of Classification Search**
USPC D19/32, 26, 27, 28, 29, 30, 49, 100
CPC B42F 13/16; B42F 13/165; B42F 13/18;
B42F 13/20; B42F 13/22; B42F 13/24;
B42F 13/26; B42F 13/28; B42F 13/30;
B42F 13/32; B42F 13/34; B42F 13/36;
B42F 13/38; B42F 13/40; B42F 3/00;
B42F 3/003; B42F 3/006; B42F 3/02;
B42F 3/04; B42F 3/06; B42F 5/00; B42F
5/005; B42F 5/02; B42F 5/04; B42F
5/06; B42F 13/02; B42F 13/04; B42F
13/06; B42F 13/08; B42F 13/10; B42F
13/12; B42F 13/14; B42D 5/00
See application file for complete search history.

(56) **References Cited**

U.S. PATENT DOCUMENTS

- 2,715,906 A * 8/1955 Lucchesi B42F 13/26
402/20
- 2,957,477 A * 10/1960 Maclean B42F 13/22
402/43
- 3,246,652 A * 4/1966 Lang B42F 13/26
267/159
- D389,182 S * 1/1998 Law D19/27

- D399,525 S * 10/1998 Parker D19/26
- D450,085 S * 11/2001 Kaneda D19/32
- D451,956 S * 12/2001 Kaneda D19/32

(Continued)

FOREIGN PATENT DOCUMENTS

- DE DE 202011050919 U1 * 10/2011 B42F 3/04
- WO WO 9531339 A2 * 11/1995 B42F 13/24

(Continued)

OTHER PUBLICATIONS

Hartnack & Company. <URL: <https://hartnackandco.com/pages/gallery-creatives>> Visited Mar. 22, 2017. Portfolio with center panel(s) at spine.*

Primary Examiner — Bridget L Eland

Assistant Examiner — Lauren McVey

(74) *Attorney, Agent, or Firm* — Ladas & Parry, LLP

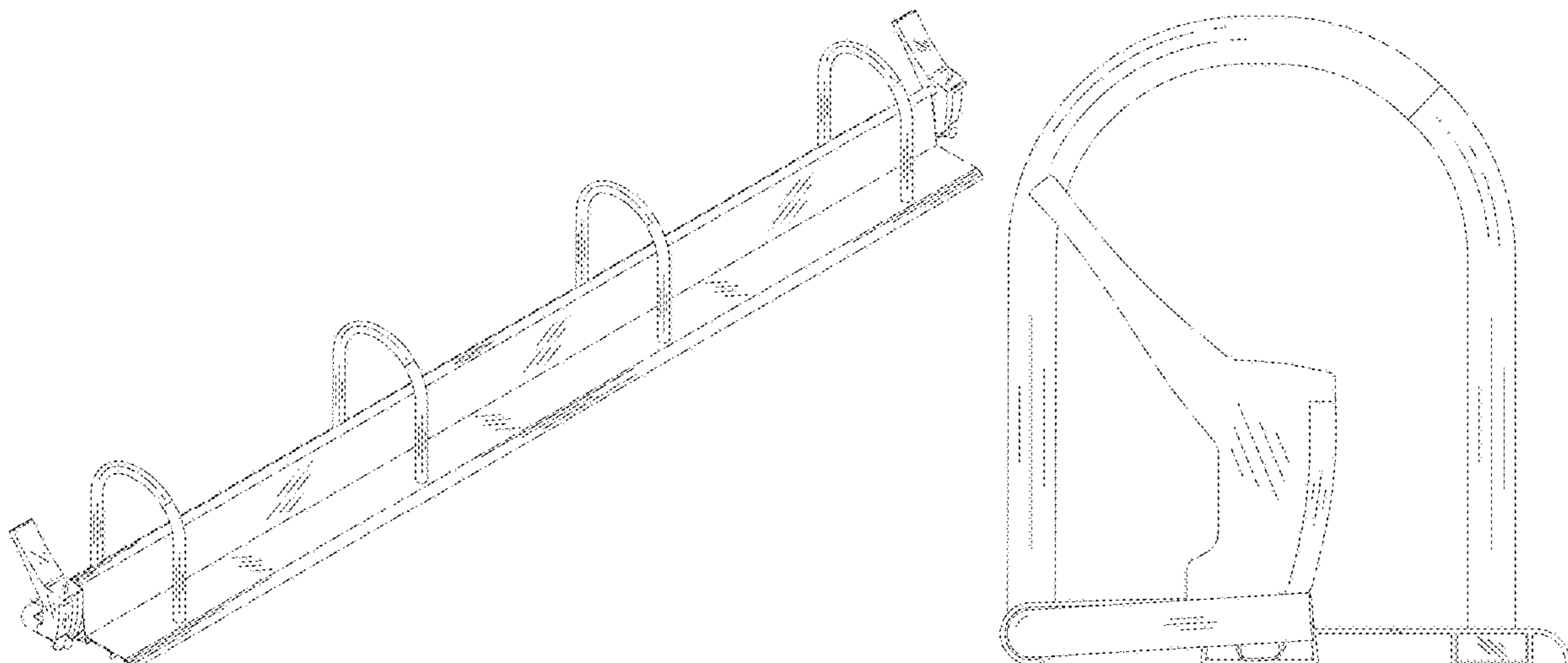
(57) **CLAIM**

The ornamental design for a ring binder mechanism, as shown and described.

DESCRIPTION

FIG. 1 is a right front perspective view of a ring binder mechanism showing my new design;
 FIG. 2 is a right front perspective view thereof in an open position;
 FIG. 3 is a left front perspective view of the ring binder mechanism of FIG. 1;
 FIG. 4 is front elevation view thereof;
 FIG. 5 is a back elevation view thereof;
 FIG. 6 is a left elevation view thereof;
 FIG. 7 is a right elevation view thereof;
 FIG. 8 is a top plan view thereof; and,
 FIG. 9 is a bottom plan view thereof.
 The broken lines immediately adjacent the claim represent the bounds of the claimed design; the broken lines form no part of the claimed design.

1 Claim, 8 Drawing Sheets



(56)

References Cited

U.S. PATENT DOCUMENTS

D479,267 S * 9/2003 Ko D19/32
D544,033 S * 6/2007 Chen D19/32
D616,023 S * 5/2010 To D19/32
D616,934 S * 6/2010 To D19/32
2004/0037614 A1 * 2/2004 Busam B42F 13/22
402/73
2005/0232689 A1 * 10/2005 Cheng B42F 13/26
402/36

FOREIGN PATENT DOCUMENTS

WO WO 2006017467 A2 * 2/2006 B42F 13/24
WO WO 2006070485 A1 * 7/2006 B42F 13/22

* cited by examiner

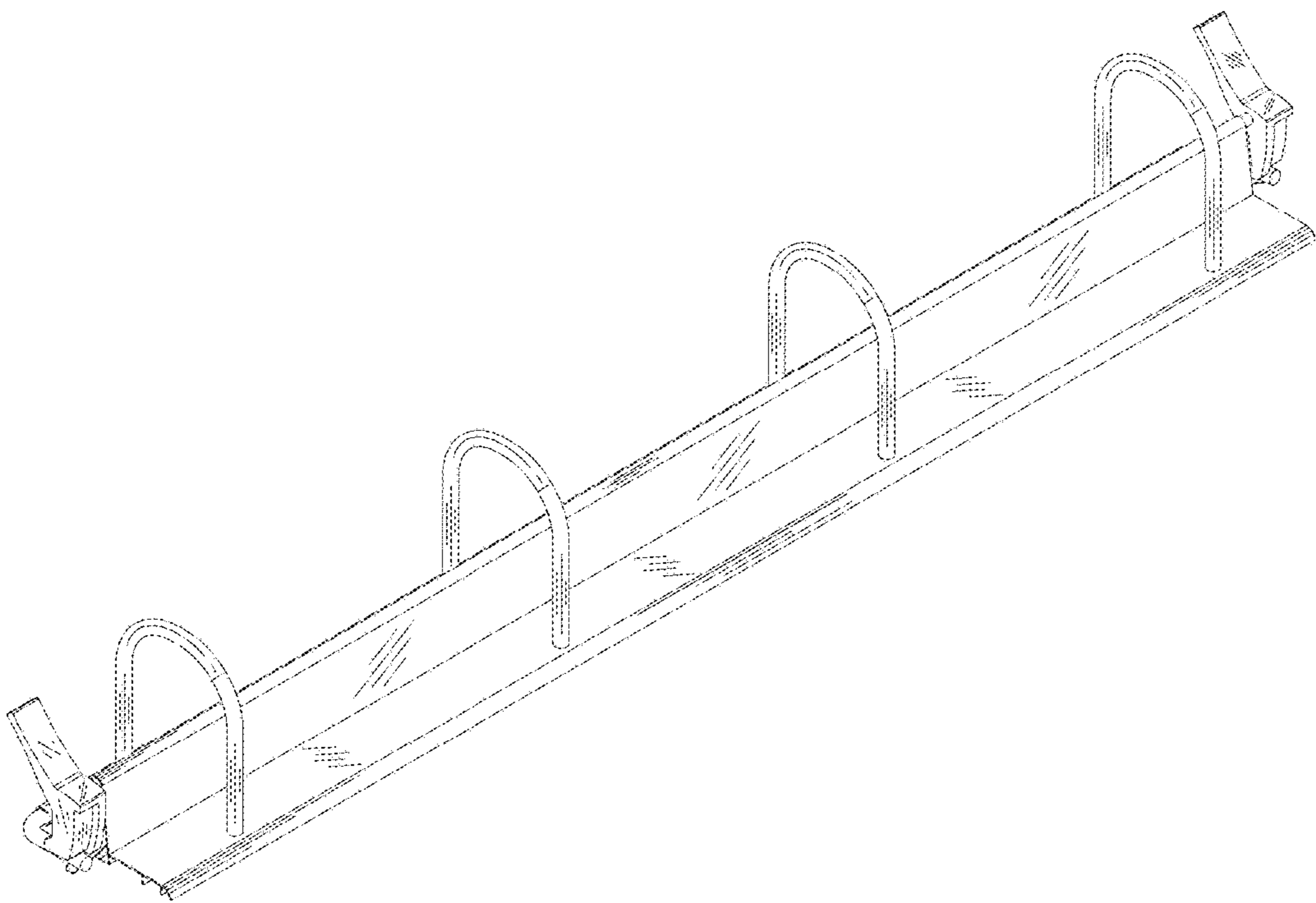


FIG. 1

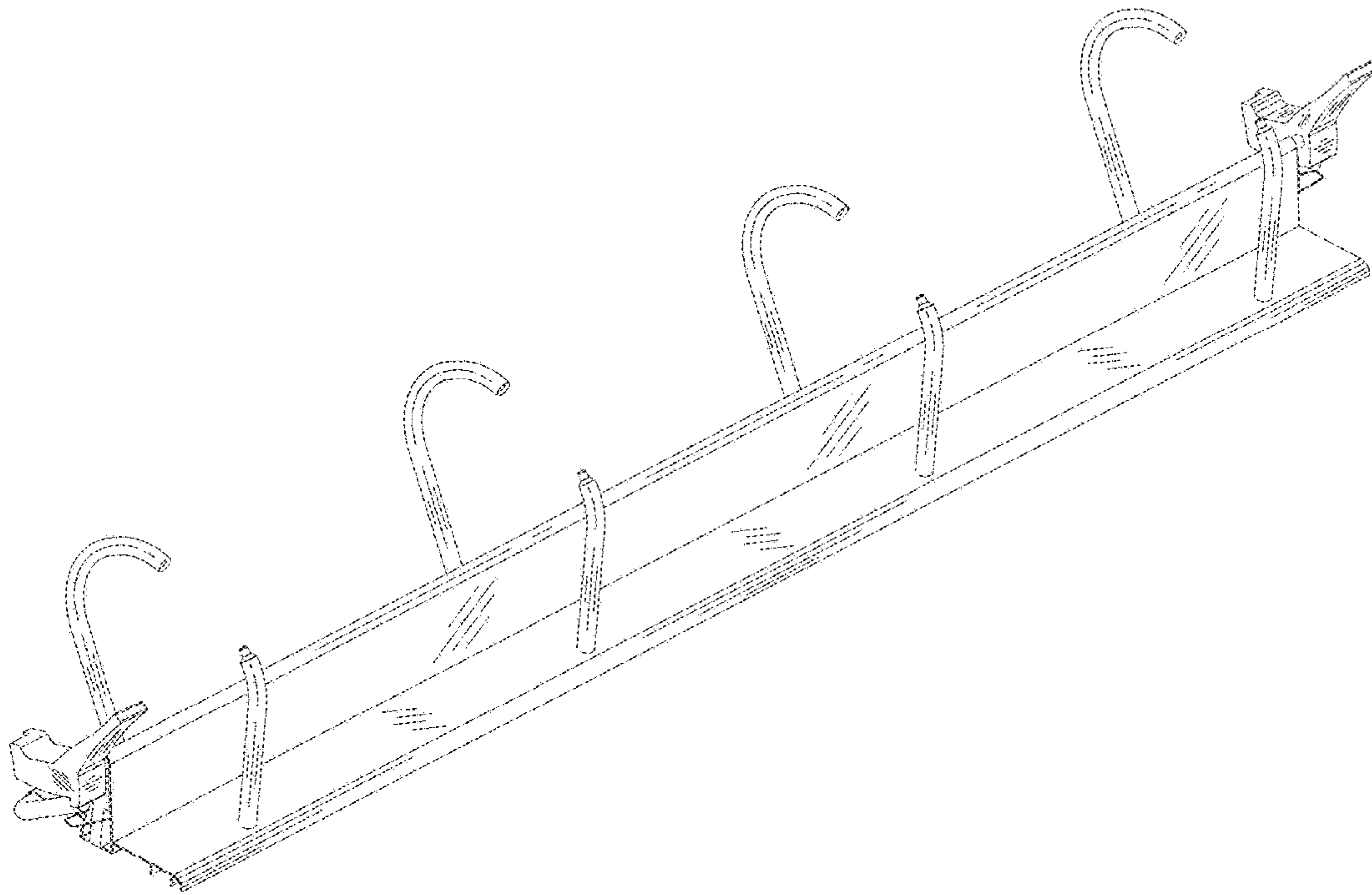


FIG. 2

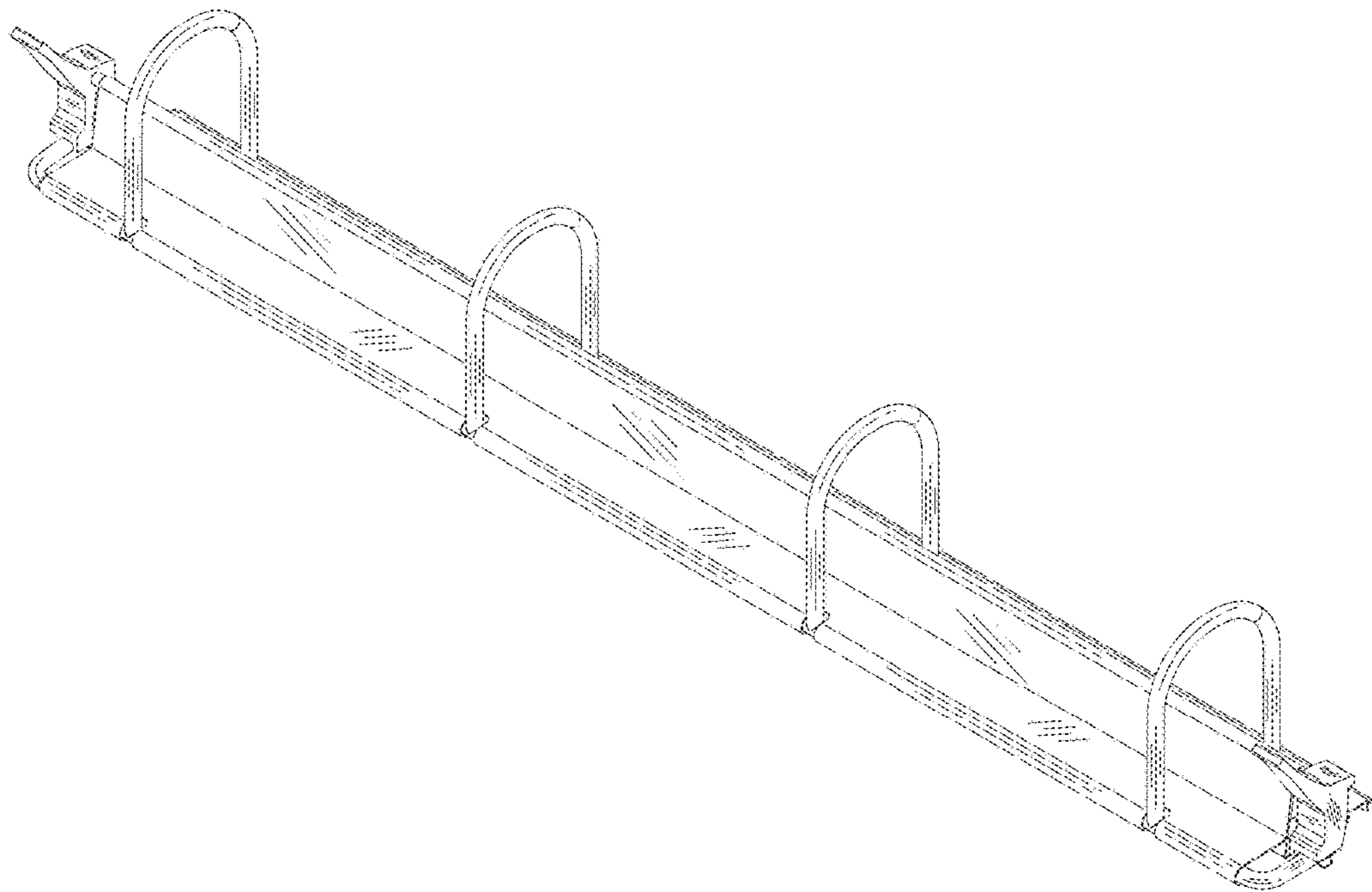


FIG. 3

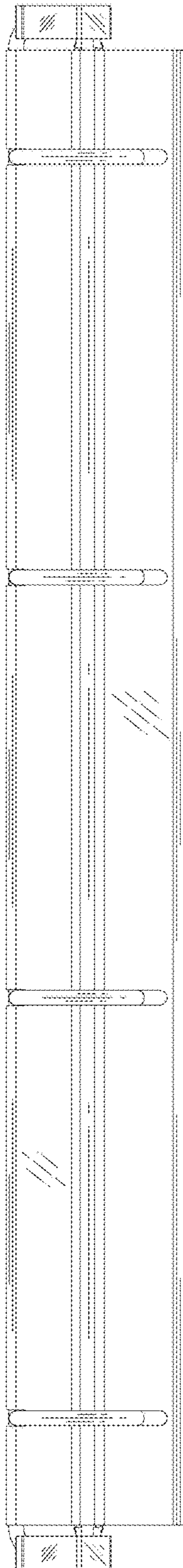


FIG. 4

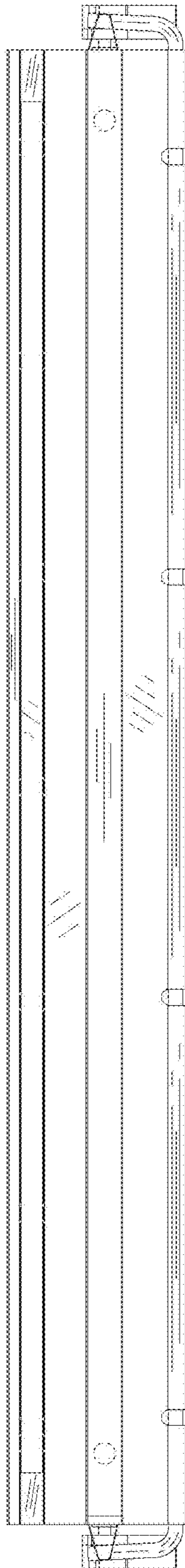


FIG. 5

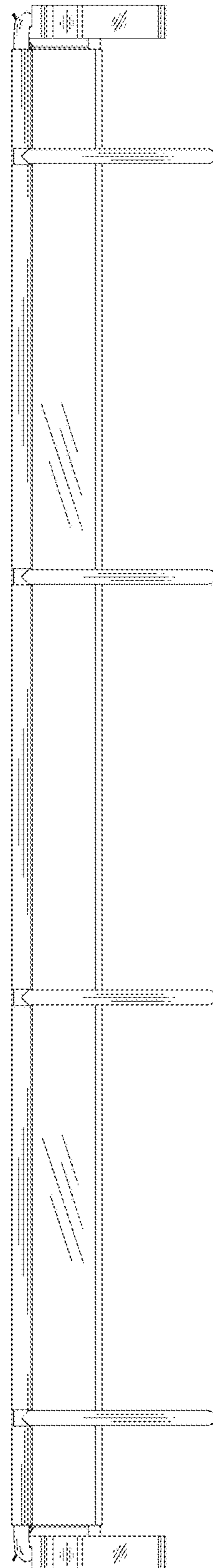


FIG. 6

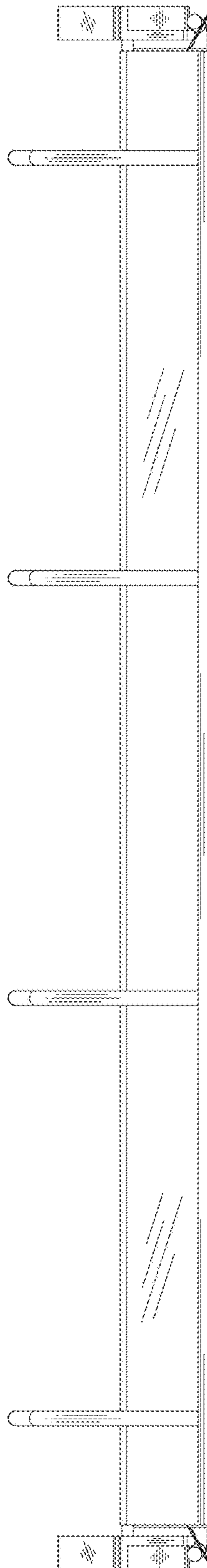


FIG. 7

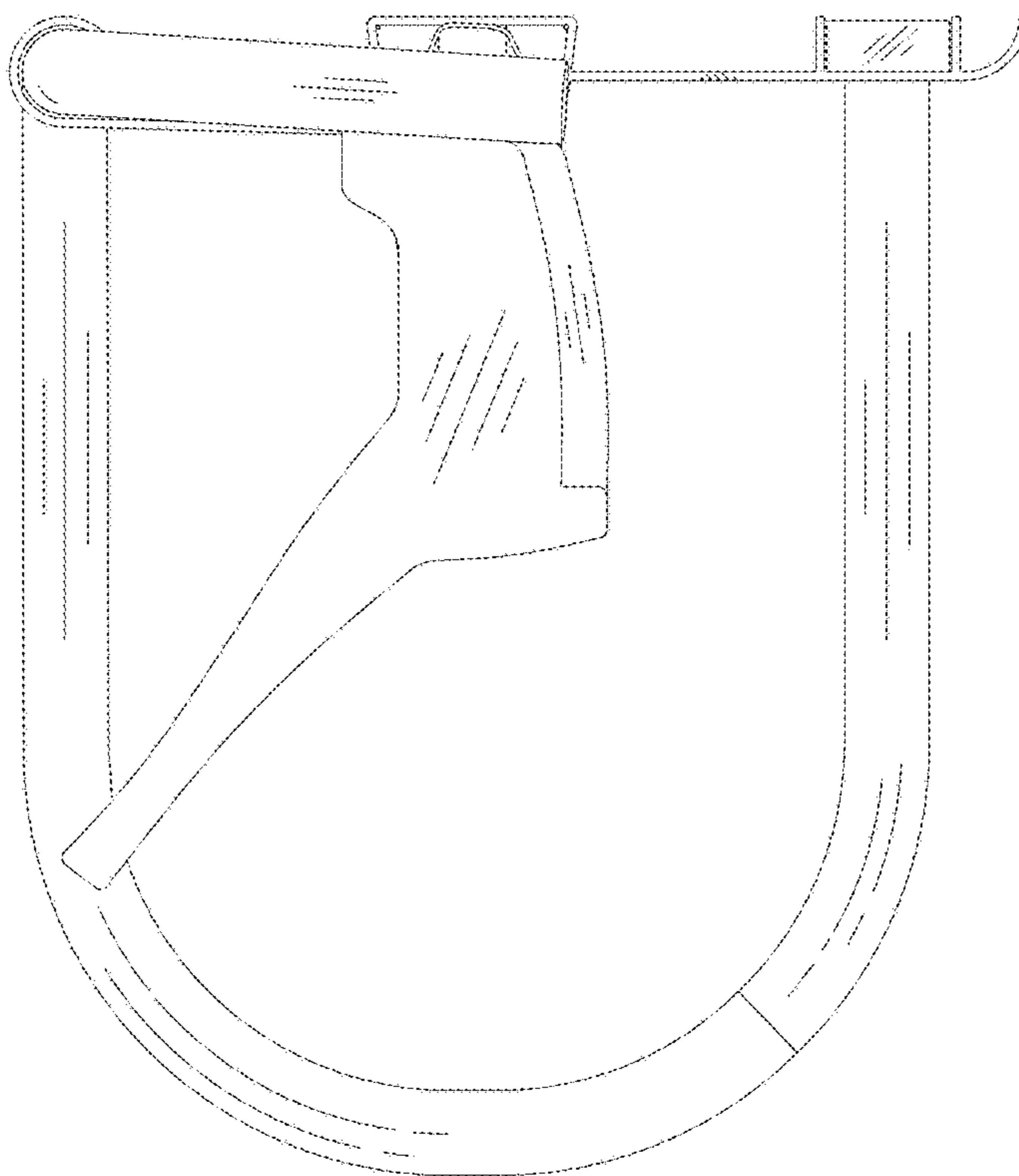


FIG. 8

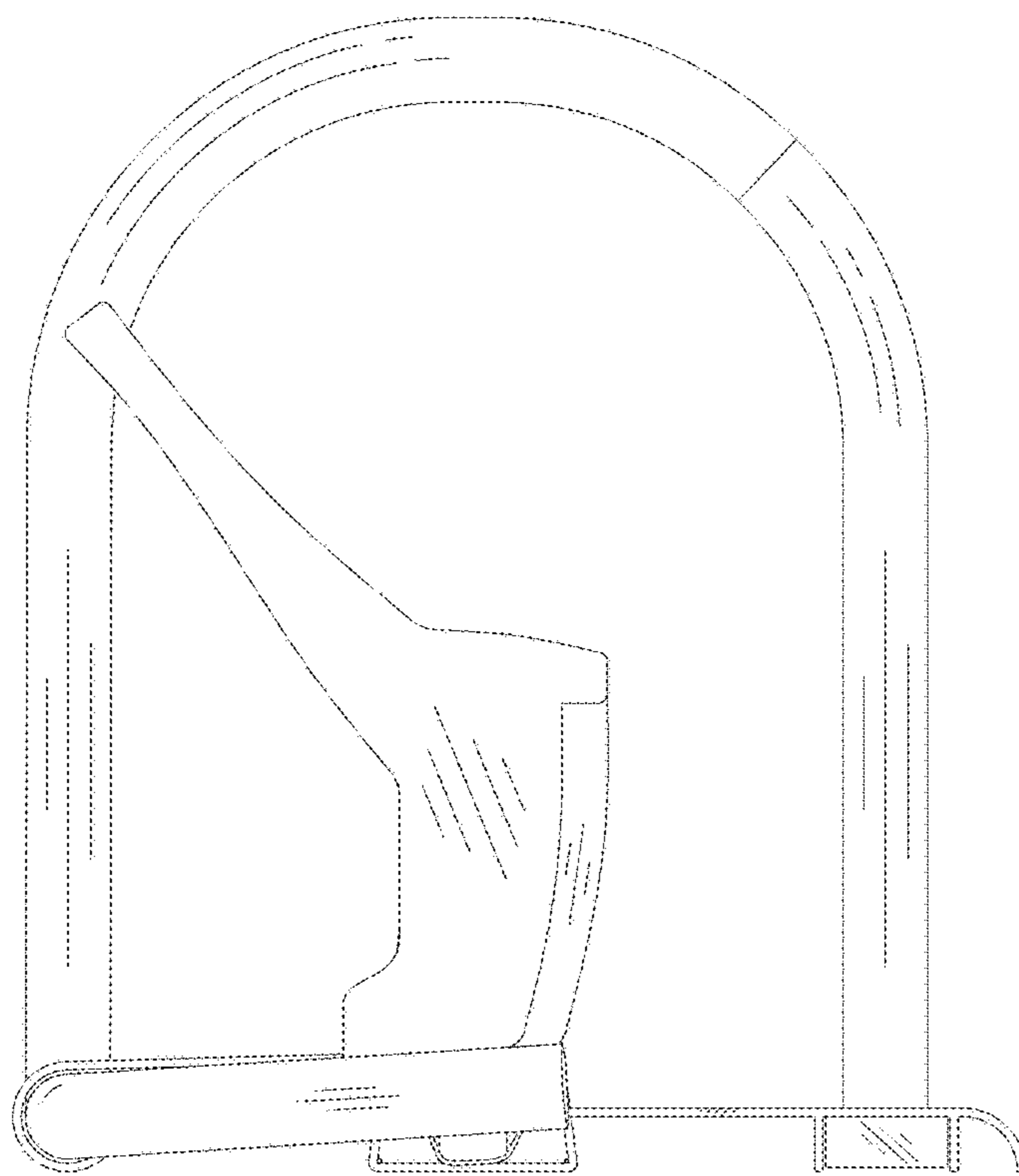


FIG. 9