



US00D792514S

(12) **United States Design Patent**
Takei et al.

(10) **Patent No.:** **US D792,514 S**
(45) **Date of Patent:** **** Jul. 18, 2017**

(54) **COVER**

(71) Applicant: **MARK'S GROUP HOLDINGS, INC.**,
Tokyo (JP)

(72) Inventors: **Hiroaki Takei**, Tokyo (JP); **Hiromi Muraoka**, Tokyo (JP); **Meguru Ishida**, Tokyo (JP)

(73) Assignee: **Mark's Group Holdings, Inc.**, Tokyo (JP)

(**) Term: **14 Years**

(21) Appl. No.: **29/496,021**

(22) Filed: **Jul. 8, 2014**

(51) **LOC (10) Cl.** **19-04**

(52) **U.S. Cl.**
USPC **D19/26**

(58) **Field of Classification Search**
USPC D19/6, 26-28, 31-34; 283/36, 38
CPC . B42D 3/00; B42D 3/12; B42D 13/00; B42D 15/02; B42F 15/04; B42F 7/00; B42F 7/02; B42F 7/025; B42F 7/06; B42F 3/002; B42F 13/16; B42F 13/40; B42F 13/406

See application file for complete search history.

(56) **References Cited**

U.S. PATENT DOCUMENTS

- 1,489,796 A * 4/1924 Stoughton B42D 3/04 281/30
- 1,574,838 A * 3/1926 Moore B42F 3/003 402/70
- D90,833 S * 10/1933 Buxton D3/253
- 4,301,962 A * 11/1981 Monckton A45C 1/06 229/67.1
- 4,838,724 A * 6/1989 Spence, Jr. B42F 13/0033 150/154
- D410,492 S * 6/1999 Ritterling D19/26

- D415,196 S * 10/1999 Moor D19/26
 - 6,089,608 A * 7/2000 Exline B42D 3/12 156/250
 - D458,633 S * 6/2002 Nada D19/26
- (Continued)

FOREIGN PATENT DOCUMENTS

- JP H3-89617 9/1991
 - JP 2002-160481 6/2002
- (Continued)

Primary Examiner — Celia Murphy

Assistant Examiner — Clare Ann Gannon

(74) *Attorney, Agent, or Firm* — Edward J. Baba; Bret E. Field; Bozicevic, Field & Francis LLP

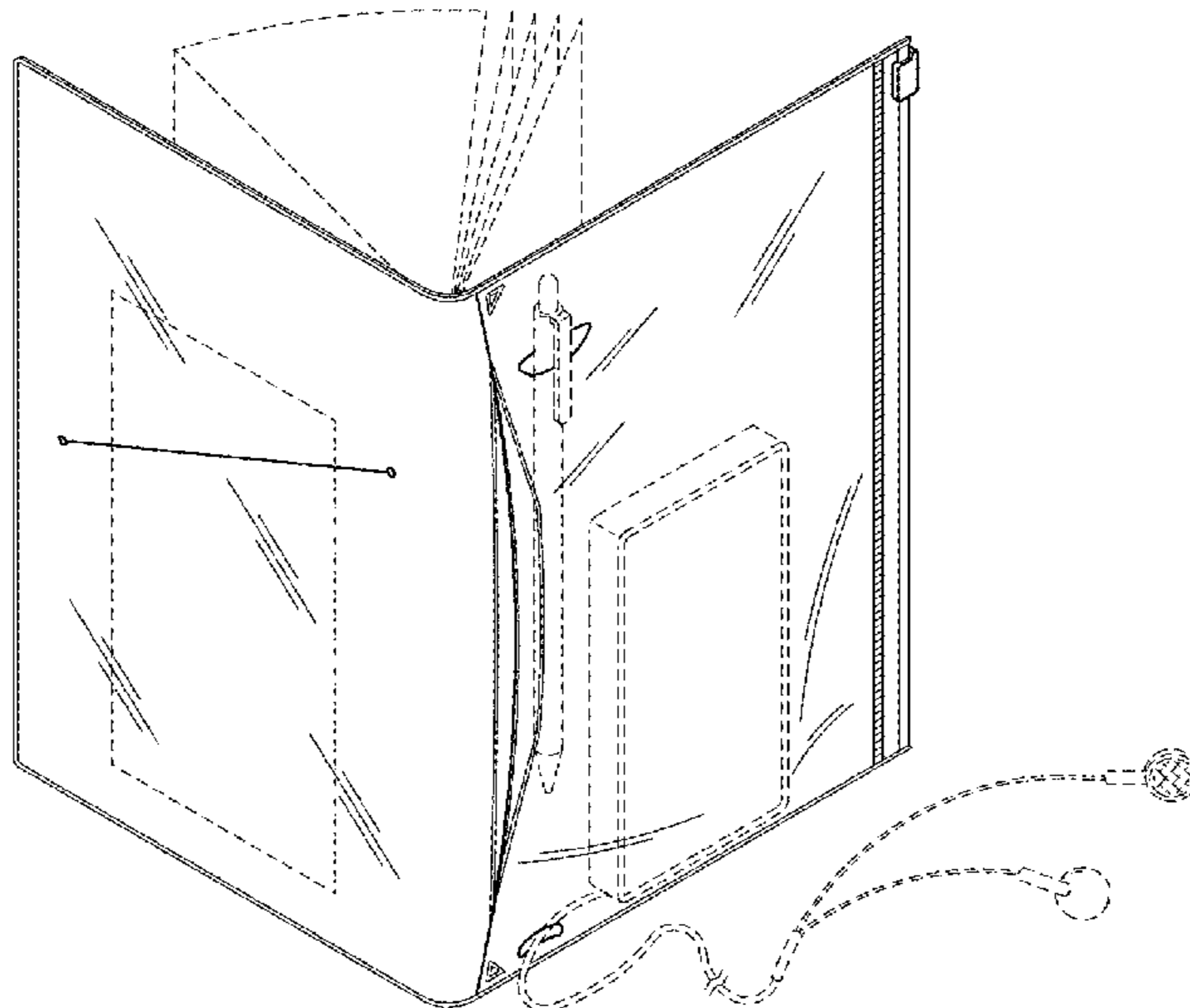
(57) **CLAIM**

The ornamental design for a cover, as shown and described.

DESCRIPTION

FIG. 1 is a front view of a cover showing our new design. FIG. 2 is a rear view thereof. FIG. 3 is a top plan view thereof. FIG. 4 is a bottom view thereof. FIG. 5 is a left side view thereof. FIG. 6 is a right side view thereof. FIG. 7 is a front view thereof showing the position of line 8-8. FIG. 8 is an enlarged cross-sectional view thereof, taken along line 8-8 in FIG. 7. FIG. 9 is a front perspective thereof, shown in a position of use. The broken lines showing a book, pen, paper, headphones and rectangular device form no part of the claim; and, FIG. 10 is a rear perspective thereof, shown in a position of use with inner leaves. The applicant claims protection for the parts indicated by continuous lines.

1 Claim, 5 Drawing Sheets



(56)

References Cited

U.S. PATENT DOCUMENTS

7,277,241 B1 * 10/2007 Fulton G02B 27/021
281/31
D573,638 S * 7/2008 Takaghi D19/26
D625,362 S * 10/2010 Sarkissian D19/26
2007/0201942 A1 * 8/2007 Shapiro B42F 7/025
402/79
2014/0126950 A1 * 5/2014 Loree B42F 7/02
402/70
2014/0251854 A1 * 9/2014 Flanigan B42D 3/12
206/473

FOREIGN PATENT DOCUMENTS

JP 1300628 5/2007
JP 1324379 3/2008
JP U3144671 9/2008
JP 1399757 10/2010
JP 2013-248347 12/2013

* cited by examiner

FIG. 1

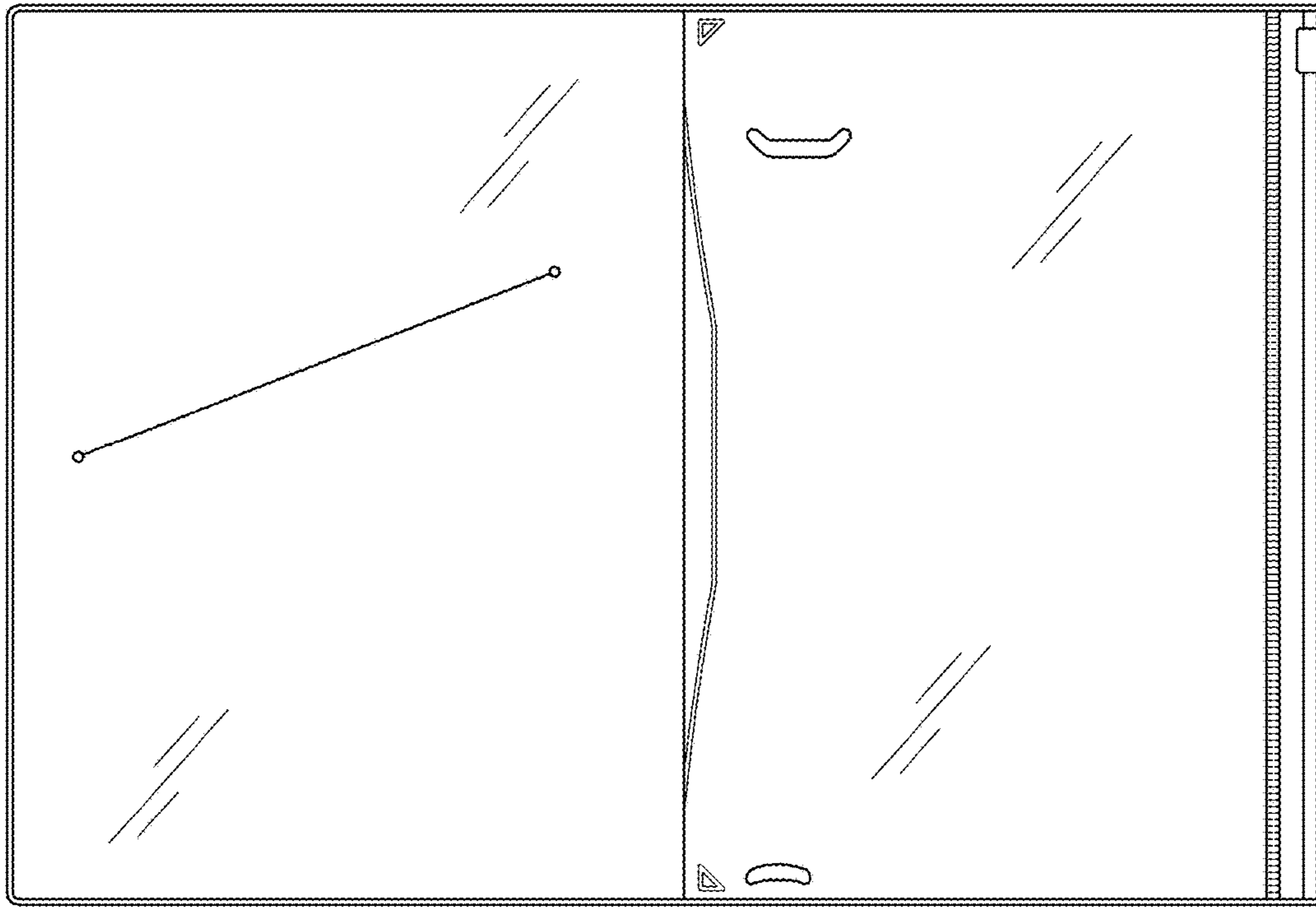


FIG. 2

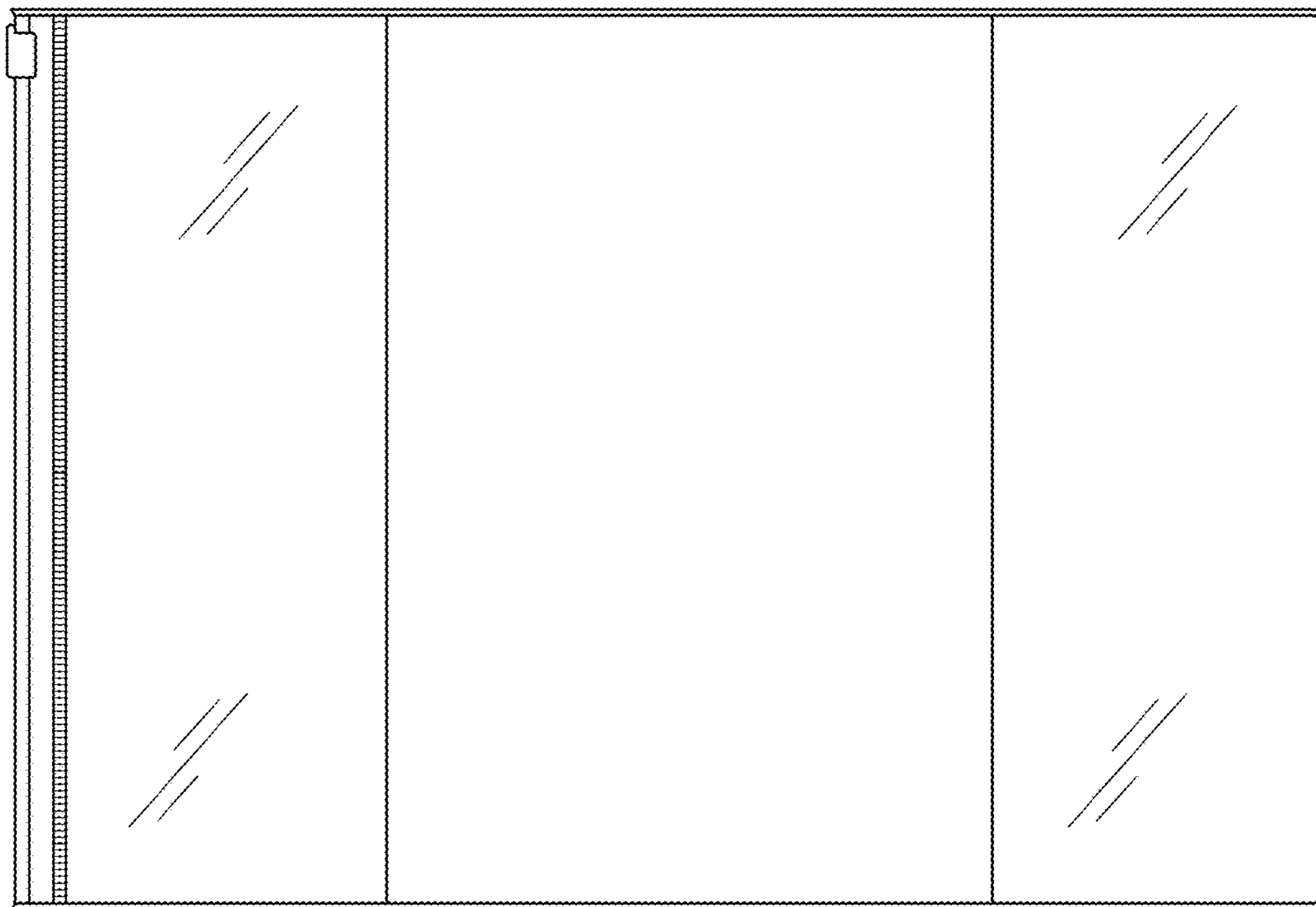


FIG. 3

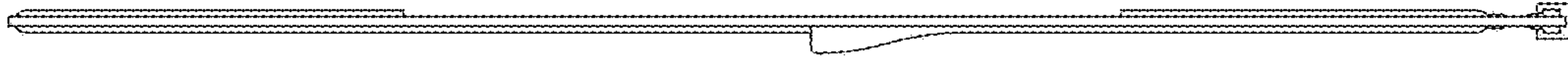


FIG. 4

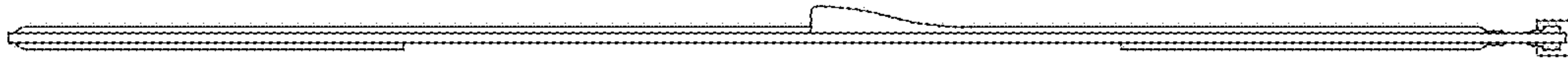


FIG. 5

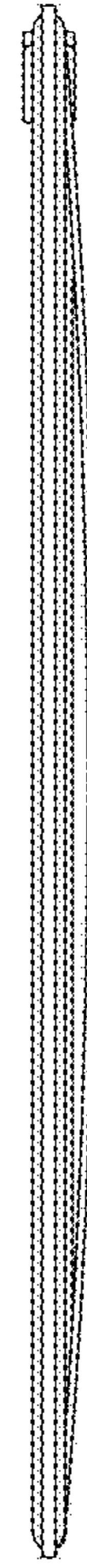


FIG. 6

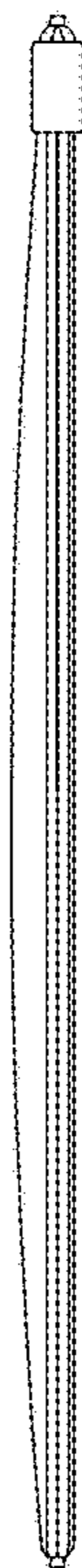


FIG. 7

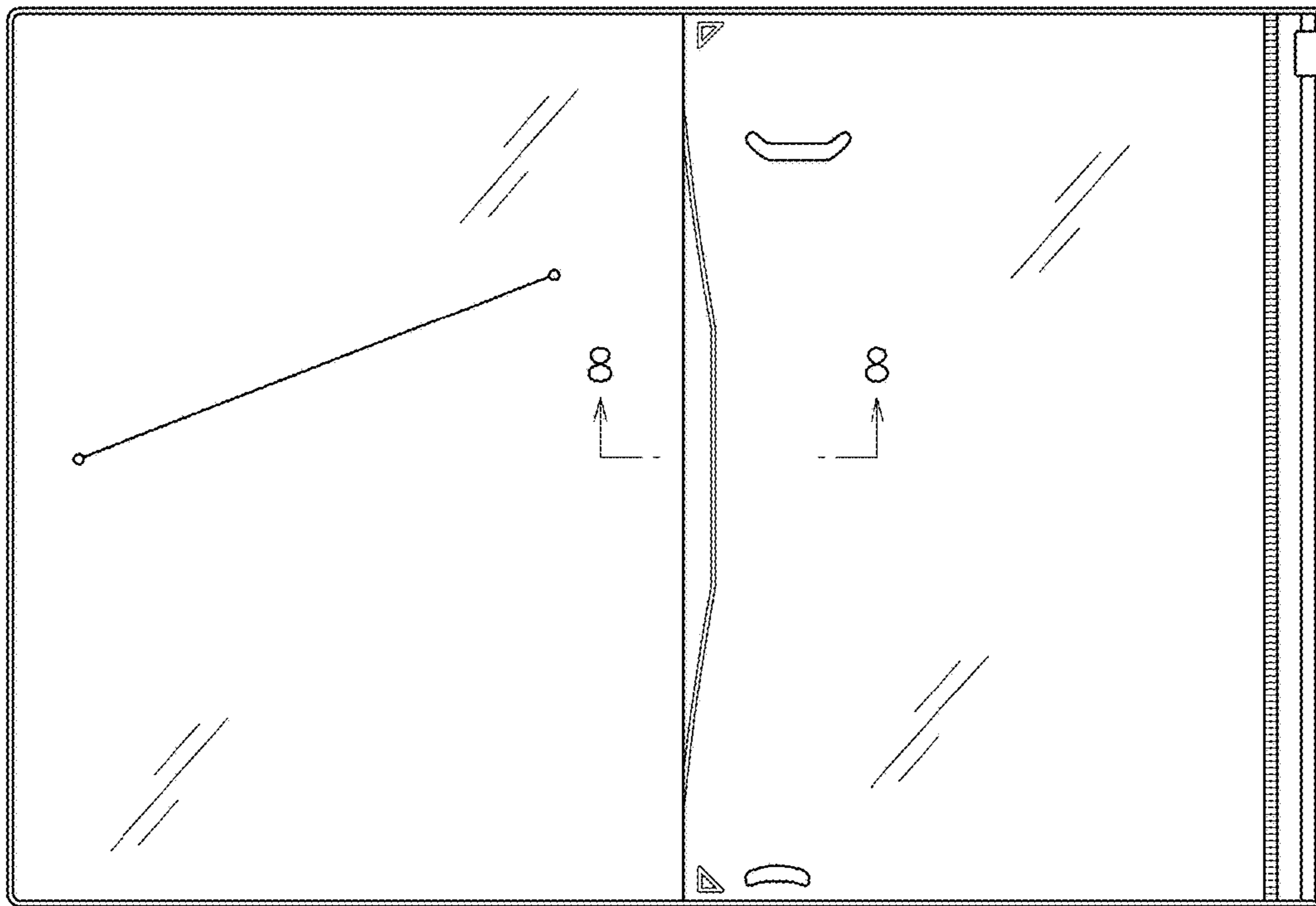


FIG. 8

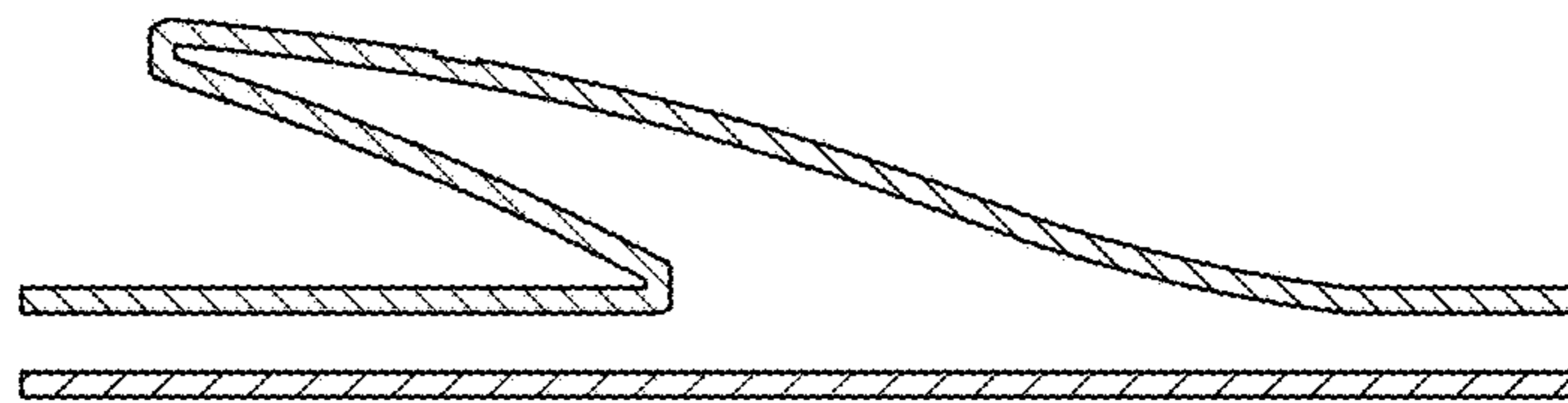


FIG. 9

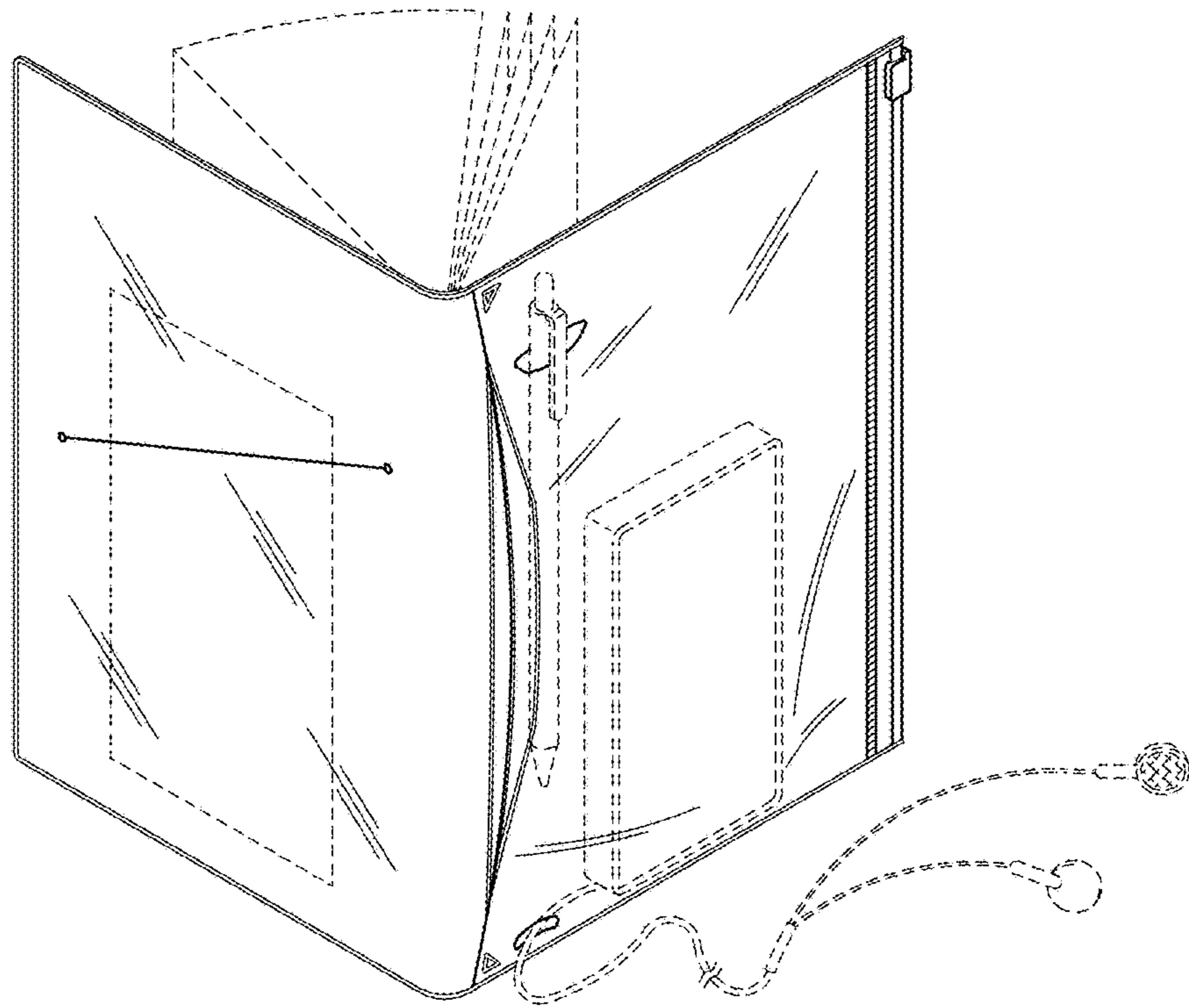
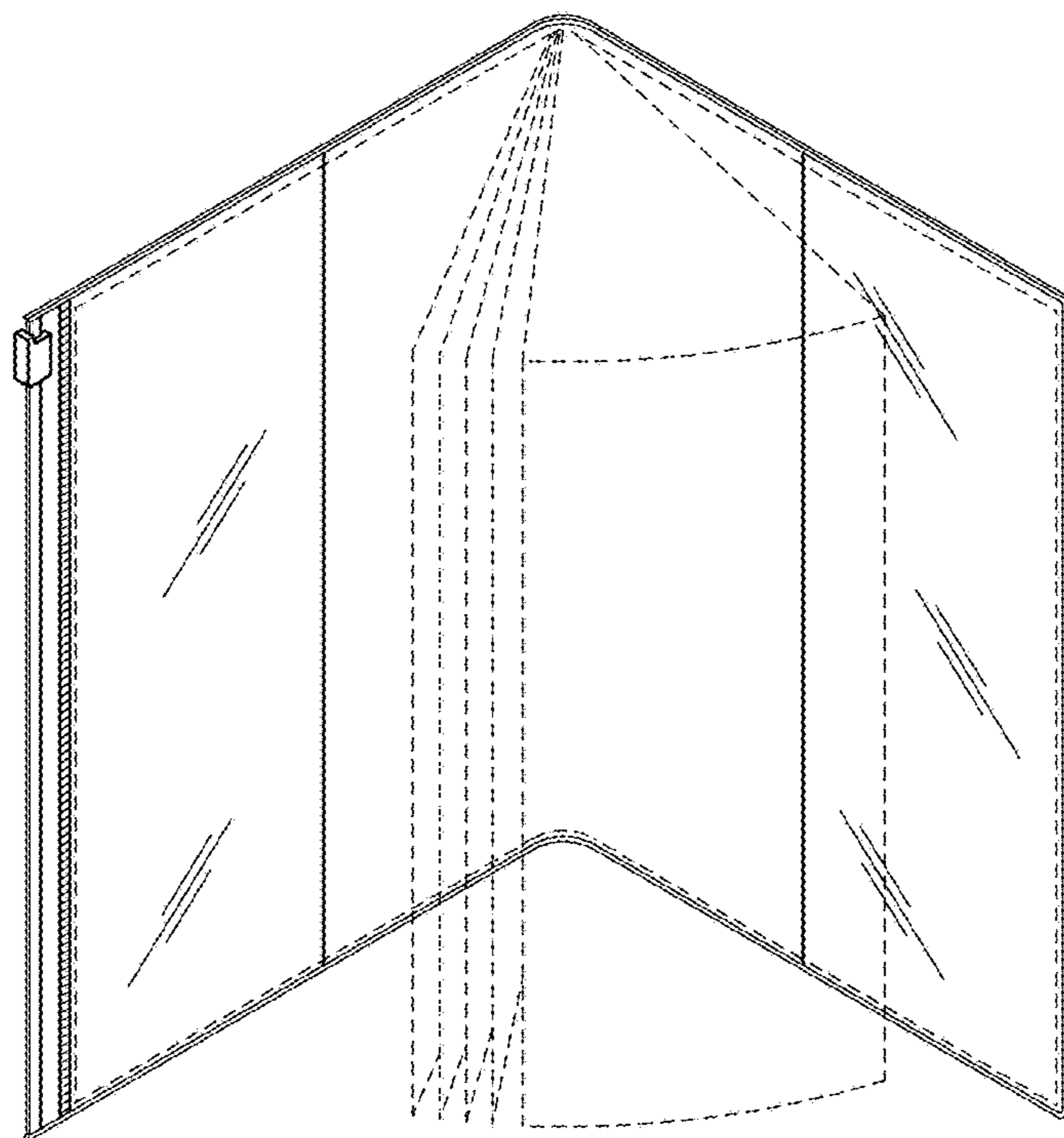


FIG. 10



UNITED STATES PATENT AND TRADEMARK OFFICE
CERTIFICATE OF CORRECTION

PATENT NO. : D792,514 S
APPLICATION NO. : 29/496021
DATED : July 18, 2017
INVENTOR(S) : Hiroaki Takei

Page 1 of 1

It is certified that error appears in the above-identified patent and that said Letters Patent is hereby corrected as shown below:

On the Title Page

Under Item (22), please insert Item (30) so that it reads:

--(30) Foreign Application Priority Data
Jan. 10, 2014 (JP) 2014-000374
Jan. 10, 2014 (JP) 2014-000372
Jan. 10, 2014 (JP) 2014-000371--

Signed and Sealed this
Nineteenth Day of September, 2017



Joseph Matal
*Performing the Functions and Duties of the
Under Secretary of Commerce for Intellectual Property and
Director of the United States Patent and Trademark Office*