



US00D792513S

(12) **United States Design Patent** (10) **Patent No.:** **US D792,513 S**
Mullen et al. (45) **Date of Patent:** **** *Jul. 18, 2017**

(54) **DISPLAY WITH FONT**
(75) Inventors: **Jeffrey D. Mullen**, Pittsburgh, PA (US);
Philip W. Yen, Cupertino, CA (US);
Bruce S. Cloutier, Jeannette, PA (US);
L. Casimir Mostowy, Jr., Pittsburgh,
PA (US)

4,614,861 A 9/1986 Pavlov et al.
4,667,087 A 5/1987 Quintana
4,701,601 A 10/1987 Francini et al.
4,720,860 A 1/1988 Weiss
4,786,791 A 11/1988 Hodama
4,791,283 A 12/1988 Burkhardt
4,797,542 A 1/1989 Hara
4,847,798 A * 7/1989 Kurashima 361/679.09
(Continued)

(73) Assignee: **DYNAMICS INC.**, Pittsburgh, PA (US)

(*) Notice: This patent is subject to a terminal disclaimer.

(**) Term: **14 Years**

(21) Appl. No.: **29/365,489**

(22) Filed: **Jul. 9, 2010**

(51) **LOC (10) Cl.** **19-08**

(52) **U.S. Cl.**
USPC **D19/10; D10/15**

(58) **Field of Classification Search**
USPC D19/1-10, 10-12, 20-34;
40/124.01-124.15, 672, 661, 726, 776,
40/617, 450, 448, 451, 447; 283/72,
283/74-75, 103, 105-107, 82, 70, 904;
206/449; D21/385; D20/10-11, 22, 40,
D20/42; D14/435-437, 490; D18/6-7,
D18/4.6, 12.1, 12.3; 340/323 R; 360/2;
235/380, 382; 368/107-121, 96-100;
307/141.4, 141.1; D10/1-40
CPC .. G09F 9/37; G09G 5/00; G04F 1/005; G04F
1/00; G07C 1/00; G07C 1/22
See application file for complete search history.

(56) **References Cited**

U.S. PATENT DOCUMENTS

D254,605 S * 4/1980 Pummer D10/125
4,353,064 A 10/1982 Stamm
4,382,280 A * 5/1983 Mandel et al. 700/93
4,394,654 A 7/1983 Hofmann-Cerfontaine

FOREIGN PATENT DOCUMENTS

JP 05210770 A 8/1993
WO WO9852735 11/1998
(Continued)

OTHER PUBLICATIONS

U.S. Appl. No. 60/594,300, Poidomani et al.
(Continued)

Primary Examiner — Abraham Bahta

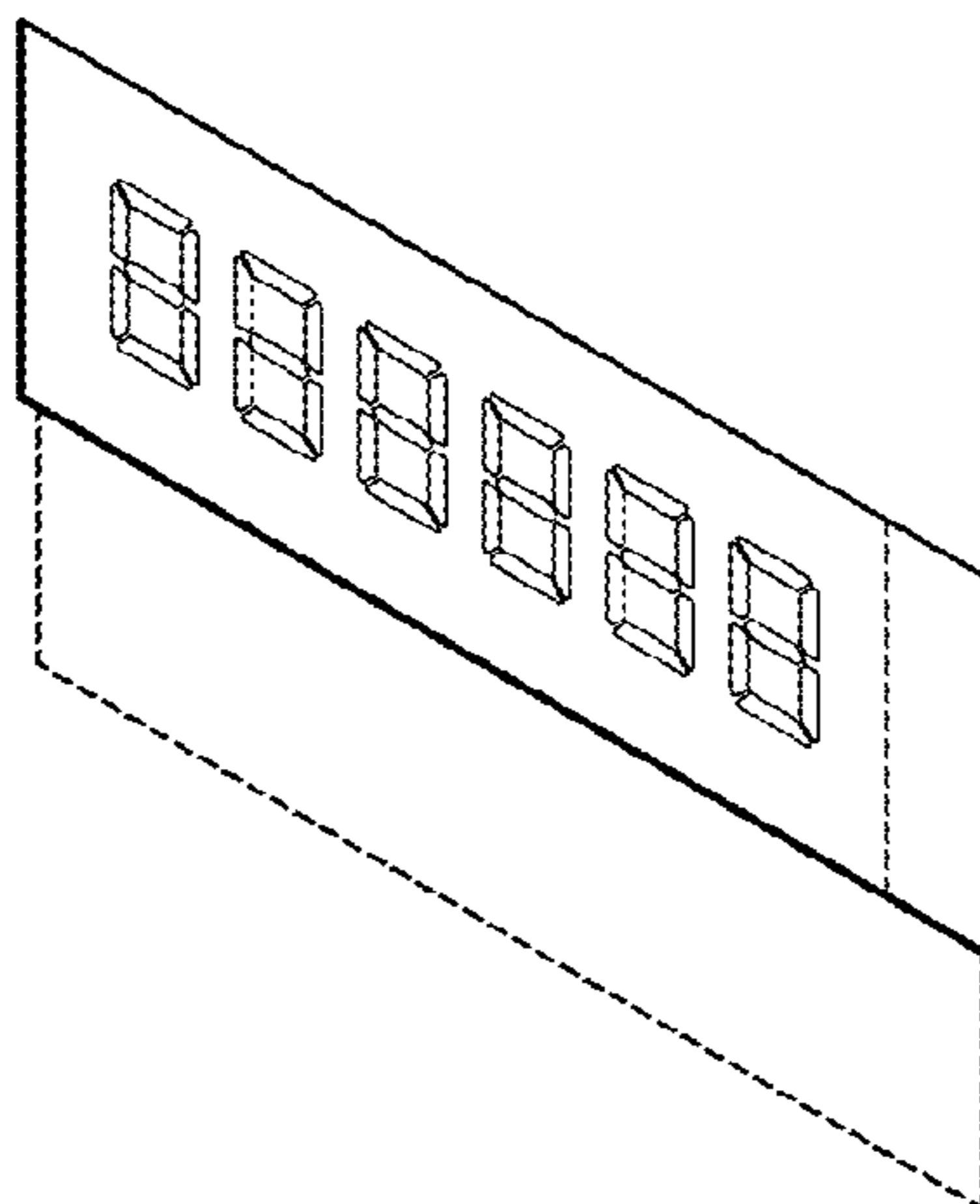
(57) **CLAIM**

The ornamental design for a display with font, as shown and described.

DESCRIPTION

FIG. 1 is a front, bottom, and left side perspective view of our new design for a display with font;
FIG. 2 is a front, top, and left side perspective view thereof;
FIG. 3 is a front side view thereof;
FIG. 4 is a back side view thereof;
FIG. 5 is a top side view thereof;
FIG. 6 is a bottom side view thereof;
FIG. 7 is a left side view thereof; and,
FIG. 8 is a right side view thereof.
The broken lines showing environment in the drawings are for illustrative purposes only and form no part of the claimed design.

1 Claim, 2 Drawing Sheets



(56)

References Cited

U.S. PATENT DOCUMENTS

D302,973 S * 8/1989 Nishida D14/387
 D307,291 S * 4/1990 Ida D18/7
 4,954,977 A * 9/1990 Colombat 708/162
 5,038,251 A 8/1991 Sugiyama et al.
 D323,129 S * 1/1992 Dulaney et al. D10/125
 D328,763 S * 8/1992 Laviana et al. D20/12
 5,168,520 A 12/1992 Weiss
 D333,831 S * 3/1993 Chen D18/7
 5,237,614 A 8/1993 Weiss
 5,276,311 A 1/1994 Hennige
 D346,759 S * 5/1994 Job et al. D10/125
 5,347,580 A 9/1994 Molva et al.
 5,361,062 A 11/1994 Weiss et al.
 5,412,199 A 5/1995 Finkelstein et al.
 D359,305 S 6/1995 Finkelstein
 5,434,398 A 7/1995 Goldberg
 5,434,405 A 7/1995 Finkelstein et al.
 D362,392 S * 9/1995 Healey D10/15
 5,478,994 A 12/1995 Rahman
 5,479,512 A 12/1995 Weiss
 D365,841 S * 1/1996 Takahata et al. D18/7
 5,484,997 A 1/1996 Haynes
 5,485,519 A 1/1996 Weiss
 5,585,787 A 12/1996 Wallerstein
 5,591,949 A 1/1997 Bernstein
 5,608,203 A 3/1997 Finkelstein et al.
 5,623,552 A 4/1997 Lane
 5,657,388 A 8/1997 Weiss
 D385,294 S * 10/1997 Bedol D18/2
 D387,802 S 12/1997 Finkelstein
 5,834,747 A 11/1998 Cooper
 5,834,756 A 11/1998 Gutman et al.
 5,856,661 A 1/1999 Finkelstein et al.
 5,864,623 A 1/1999 Messina et al.
 D406,271 S * 3/1999 Henriksen D18/7
 D408,438 S * 4/1999 Matsubara et al. D18/7
 5,907,142 A 5/1999 Kelsey
 5,913,203 A 6/1999 Wong et al.
 D412,524 S * 8/1999 Bedol D18/7
 5,937,394 A 8/1999 Wong et al.
 5,955,021 A 9/1999 Tiffany, III
 5,956,699 A 9/1999 Wong et al.
 6,025,054 A 2/2000 Tiffany, III
 6,045,043 A 4/2000 Bashan et al.
 6,076,163 A 6/2000 Hoffstein et al.
 6,085,320 A 7/2000 Kaliski
 6,095,416 A 8/2000 Grant et al.
 6,130,621 A 10/2000 Weiss
 D434,041 S 11/2000 Burke
 6,145,079 A 11/2000 Mitty et al.
 6,157,920 A 12/2000 Jakobsson et al.
 6,161,181 A 12/2000 Haynes, III et al.
 6,176,430 B1 1/2001 Finkelstein et al.
 6,182,894 B1 2/2001 Hackett et al.
 6,189,098 B1 2/2001 Kaliski
 6,199,052 B1 3/2001 Mitty et al.
 6,206,293 B1 3/2001 Gutman et al.
 D441,393 S * 5/2001 Chan D18/7
 D442,619 S * 5/2001 Fong D18/7
 6,240,184 B1 5/2001 Huynh et al.
 6,241,153 B1 6/2001 Tiffany, III
 6,256,873 B1 7/2001 Tiffany, III
 6,269,163 B1 7/2001 Rivest et al.
 D447,435 S * 9/2001 Thomas D10/124
 6,286,022 B1 9/2001 Kaliski et al.
 6,308,890 B1 10/2001 Cooper
 6,313,724 B1 11/2001 Osterweil
 6,389,442 B1 5/2002 Yin et al.
 6,393,447 B1 5/2002 Jakobsson et al.
 6,411,715 B1 6/2002 Liskov et al.
 D462,714 S 9/2002 Creighton
 6,446,052 B1 9/2002 Juels
 6,460,141 B1 10/2002 Olden
 D466,826 S * 12/2002 Takata et al. D10/125
 D467,247 S 12/2002 Pentz

D467,821 S * 12/2002 Ogawa D10/40
 D477,359 S 7/2003 Haas
 6,592,044 B1 7/2003 Wong et al.
 6,599,003 B2 * 7/2003 Hou et al. 362/559
 6,607,127 B2 8/2003 Wong
 6,609,654 B1 8/2003 Anderson et al.
 6,631,849 B2 10/2003 Blossom
 6,655,585 B2 12/2003 Shinn
 6,681,988 B2 1/2004 Stack et al.
 6,705,520 B1 3/2004 Pitroda et al.
 D490,841 S * 6/2004 Castillo D18/7
 6,755,341 B1 6/2004 Wong et al.
 D493,195 S 7/2004 Creighton
 6,764,005 B2 7/2004 Cooper
 6,769,618 B1 8/2004 Finkelstein
 6,805,288 B2 10/2004 Routhenstein et al.
 6,811,082 B2 11/2004 Wong
 6,813,354 B1 11/2004 Jakobsson et al.
 6,817,532 B2 11/2004 Finkelstein
 D500,254 S * 12/2004 Nakagawa D10/40
 6,873,974 B1 3/2005 Schutzer
 6,902,116 B2 6/2005 Finkelstein
 6,970,070 B2 11/2005 Juels et al.
 6,980,969 B1 12/2005 Tuchler et al.
 6,985,583 B1 1/2006 Brainard et al.
 6,991,155 B2 1/2006 Burchette, Jr.
 7,013,030 B2 3/2006 Wong et al.
 7,035,443 B2 4/2006 Wong
 7,039,223 B2 5/2006 Wong
 7,044,394 B2 5/2006 Brown
 7,051,929 B2 5/2006 Li
 7,083,094 B2 8/2006 Cooper
 7,100,049 B2 8/2006 Gasparini et al.
 7,100,821 B2 9/2006 Rasti
 7,111,172 B1 9/2006 Duane et al.
 7,114,652 B2 10/2006 Moullette et al.
 7,136,514 B1 11/2006 Wong
 7,140,550 B2 11/2006 Ramachandran
 7,163,153 B2 1/2007 Blossom
 7,195,154 B2 3/2007 Routhenstein
 7,197,639 B1 3/2007 Juels et al.
 D540,372 S * 4/2007 Young D18/7
 7,219,368 B2 5/2007 Juels et al.
 7,225,537 B2 6/2007 Reed
 7,225,994 B2 6/2007 Finkelstein
 7,246,752 B2 7/2007 Brown
 7,298,243 B2 11/2007 Juels et al.
 7,334,732 B2 2/2008 Cooper
 7,337,326 B2 2/2008 Palmer et al.
 D565,097 S 3/2008 Brown
 7,346,775 B2 3/2008 Gasparini et al.
 7,356,696 B1 4/2008 Jakobsson et al.
 7,357,319 B1 4/2008 Liu et al.
 7,359,507 B2 4/2008 Kaliski
 7,360,688 B1 4/2008 Harris
 7,363,494 B2 4/2008 Brainard et al.
 7,380,710 B2 6/2008 Brown
 D572,309 S * 7/2008 Bhavnani D19/88
 7,398,253 B1 7/2008 Pinnell
 7,404,087 B2 7/2008 Teunen
 7,424,570 B2 9/2008 D'Albore et al.
 7,427,033 B1 9/2008 Roskind
 D578,569 S 10/2008 Lasch
 7,454,349 B2 11/2008 Teunen et al.
 D582,476 S 12/2008 Field
 D582,977 S 12/2008 Field
 7,461,250 B1 12/2008 Duane et al.
 7,461,399 B2 12/2008 Juels et al.
 7,472,093 B2 12/2008 Juels
 7,472,829 B2 1/2009 Brown
 7,494,055 B2 2/2009 Fernandes et al.
 7,502,467 B2 3/2009 Brainard et al.
 7,502,933 B2 3/2009 Jakobsson et al.
 7,503,485 B1 3/2009 Routhenstein
 7,516,492 B1 4/2009 Nisbet et al.
 7,523,301 B2 4/2009 Nisbet et al.
 7,530,495 B2 5/2009 Cooper
 7,532,104 B2 5/2009 Juels
 7,543,739 B2 6/2009 Brown et al.

(56)

References Cited

U.S. PATENT DOCUMENTS

7,559,464 B2 7/2009 Routhenstein
 7,562,221 B2 7/2009 Nystrom et al.
 7,562,222 B2 7/2009 Gasparini et al.
 7,580,898 B2 8/2009 Brown et al.
 7,584,153 B2 9/2009 Brown et al.
 7,591,426 B2 9/2009 Osterweil et al.
 7,591,427 B2 9/2009 Osterweil
 7,602,904 B2 10/2009 Juels et al.
 7,631,804 B2 12/2009 Brown
 7,639,537 B2 12/2009 Sepe et al.
 7,641,124 B2 1/2010 Brown et al.
 7,660,902 B2 2/2010 Graham et al.
 7,828,207 B2 11/2010 Cooper
 D652,076 S * 1/2012 Mullen et al. D19/10
 2001/0034702 A1 10/2001 Mockett et al.
 2001/0047335 A1 11/2001 Arndt et al.
 2002/0059114 A1 5/2002 Cockrill et al.
 2002/0082989 A1 6/2002 Fife et al.
 2002/0096570 A1 7/2002 Wong et al.
 2002/0120583 A1 8/2002 Keresman, III et al.
 2003/0034388 A1 2/2003 Routhenstein et al.
 2003/0052168 A1 3/2003 Wong
 2003/0057278 A1 3/2003 Wong
 2003/0116635 A1 6/2003 Taban
 2003/0152253 A1 8/2003 Wong
 2003/0163287 A1 8/2003 Vock et al.
 2003/0173409 A1 9/2003 Vogt et al.
 2003/0179909 A1 9/2003 Wong et al.
 2003/0179910 A1 9/2003 Wong
 2003/0226899 A1 12/2003 Finkelstein
 2004/0035942 A1 2/2004 Silverman
 2004/0133787 A1 7/2004 Doughty
 2004/0162732 A1 8/2004 Rahim et al.
 2004/0172535 A1 9/2004 Jakobsson
 2004/0177045 A1 9/2004 Brown
 2005/0043997 A1 2/2005 Sahota et al.
 2005/0080747 A1 4/2005 Anderson et al.
 2005/0086160 A1 4/2005 Wong et al.
 2005/0086177 A1 4/2005 Anderson et al.
 2005/0116026 A1 6/2005 Burger et al.
 2005/0119940 A1 6/2005 Concilio et al.
 2005/0154643 A1 7/2005 Doan et al.
 2005/0228959 A1 10/2005 D'Albore et al.
 2006/0000900 A1 1/2006 Fernandes et al.
 2006/0037073 A1 2/2006 Juels et al.
 2006/0041759 A1 2/2006 Kaliski et al.
 2006/0085328 A1 4/2006 Cohen et al.
 2006/0091223 A1 5/2006 Zellner
 2006/0161435 A1 7/2006 Atef et al.
 2006/0163353 A1 7/2006 Moulette et al.
 2006/0174104 A1 8/2006 Crichton et al.
 2006/0196931 A1 9/2006 Holtmanns et al.
 2006/0256961 A1 11/2006 Brainard et al.
 2007/0034700 A1 2/2007 Poidomani et al.
 2007/0114274 A1 5/2007 Gibbs et al.
 2007/0124321 A1 5/2007 Szydlo
 2007/0152070 A1 7/2007 D'Albore
 2007/0152072 A1 7/2007 Frallicciardi et al.
 2007/0153487 A1 7/2007 Frallicciardi et al.

2007/0174614 A1 7/2007 Duane et al.
 2007/0192249 A1 8/2007 Biffle et al.
 2007/0241183 A1 10/2007 Brown et al.
 2007/0241201 A1 10/2007 Brown et al.
 2007/0256123 A1 11/2007 Duane et al.
 2007/0291753 A1 12/2007 Romano
 2008/0005510 A1 1/2008 Sepe et al.
 2008/0008315 A1 1/2008 Fontana et al.
 2008/0008322 A1 1/2008 Fontana et al.
 2008/0010675 A1 1/2008 Massascusa et al.
 2008/0016351 A1 1/2008 Fontana et al.
 2008/0019507 A1 1/2008 Fontana et al.
 2008/0028447 A1 1/2008 O'Malley et al.
 2008/0040271 A1 2/2008 Hammad et al.
 2008/0040276 A1 2/2008 Hammad et al.
 2008/0058016 A1 3/2008 Di Maggio et al.
 2008/0059379 A1 3/2008 Ramaci et al.
 2008/0096326 A1 4/2008 Reed
 2008/0126398 A1 5/2008 Cimino
 2008/0128515 A1 6/2008 Di Iorio
 2008/0148394 A1 6/2008 Poidomani et al.
 2008/0201264 A1 8/2008 Brown et al.
 2008/0209550 A1 8/2008 Di Iorio
 2008/0288699 A1 11/2008 Chichierchia
 2008/0294930 A1 11/2008 Varone et al.
 2008/0302877 A1 12/2008 Musella et al.
 2009/0013122 A1 1/2009 Sepe et al.
 2009/0036147 A1 2/2009 Romano
 2009/0046522 A1 2/2009 Sepe et al.
 2009/0108064 A1 4/2009 Fernandes et al.
 2009/0150295 A1 6/2009 Hatch et al.
 2009/0152365 A1 6/2009 Li et al.
 2009/0242648 A1 10/2009 Di Sirio et al.
 2009/0244858 A1 10/2009 Di Sirio et al.
 2009/0253460 A1 10/2009 Varone et al.
 2009/0255996 A1 10/2009 Brown et al.
 2009/0290704 A1 11/2009 Cimino
 2009/0303885 A1 12/2009 Longo
 2011/0028184 A1 2/2011 Cooper

FOREIGN PATENT DOCUMENTS

WO WO0247019 6/2002
 WO WO2006066322 6/2006
 WO WO2006080929 8/2006
 WO WO2006105092 10/2006
 WO WO2006116772 11/2006
 WO WO2008064403 6/2008

OTHER PUBLICATIONS

U.S. Appl. No. 60/675,388, Poidomani et al.
 The Bank Credit Card Business. Second Edition, American Bankers Association, Washington, D.C., 1996.
 A Day in the Life of a Flux Reversal. <http://www.phrack.org/issues.html?issue=37&id=6#article>. As viewed on Apr. 12, 2010.
 Dynamic Virtual Credit Card Numbers. <http://homes.cerias.purdue.edu/~jtli/paper/fc07.pdf>. As viewed on Apr. 12, 2010.
 English translation of JP 05210770 A.

* cited by examiner

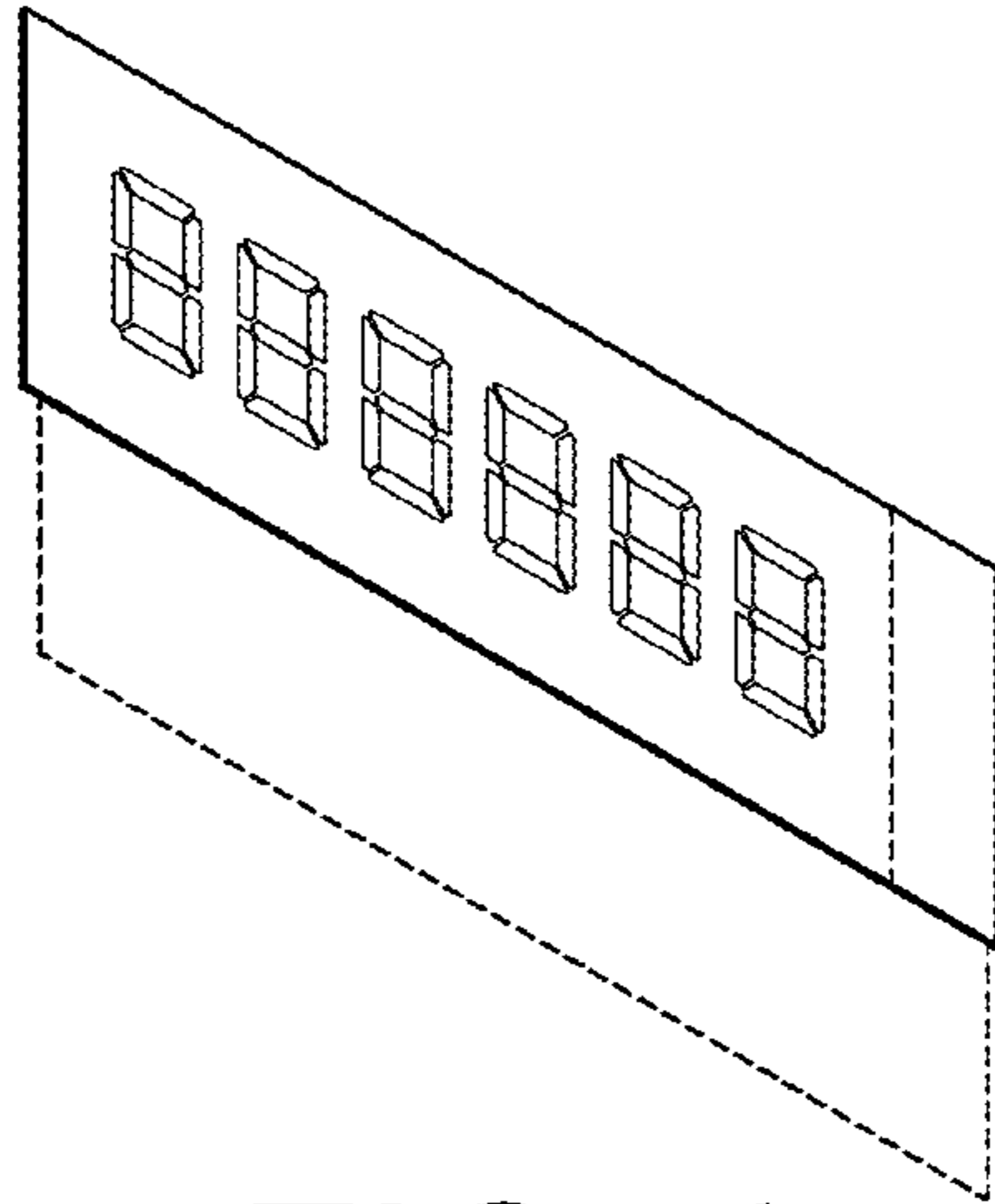


FIG. 1

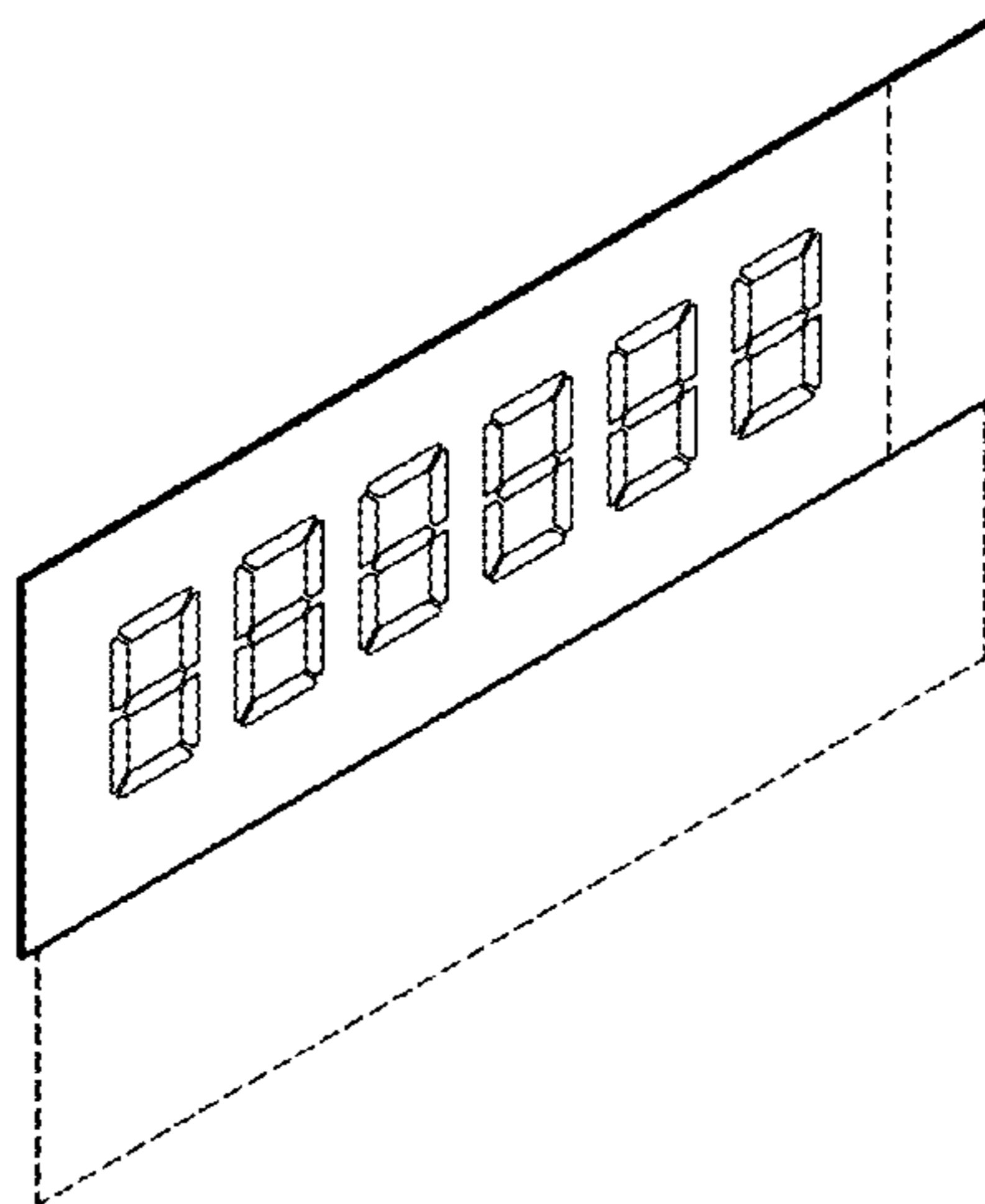


FIG. 2

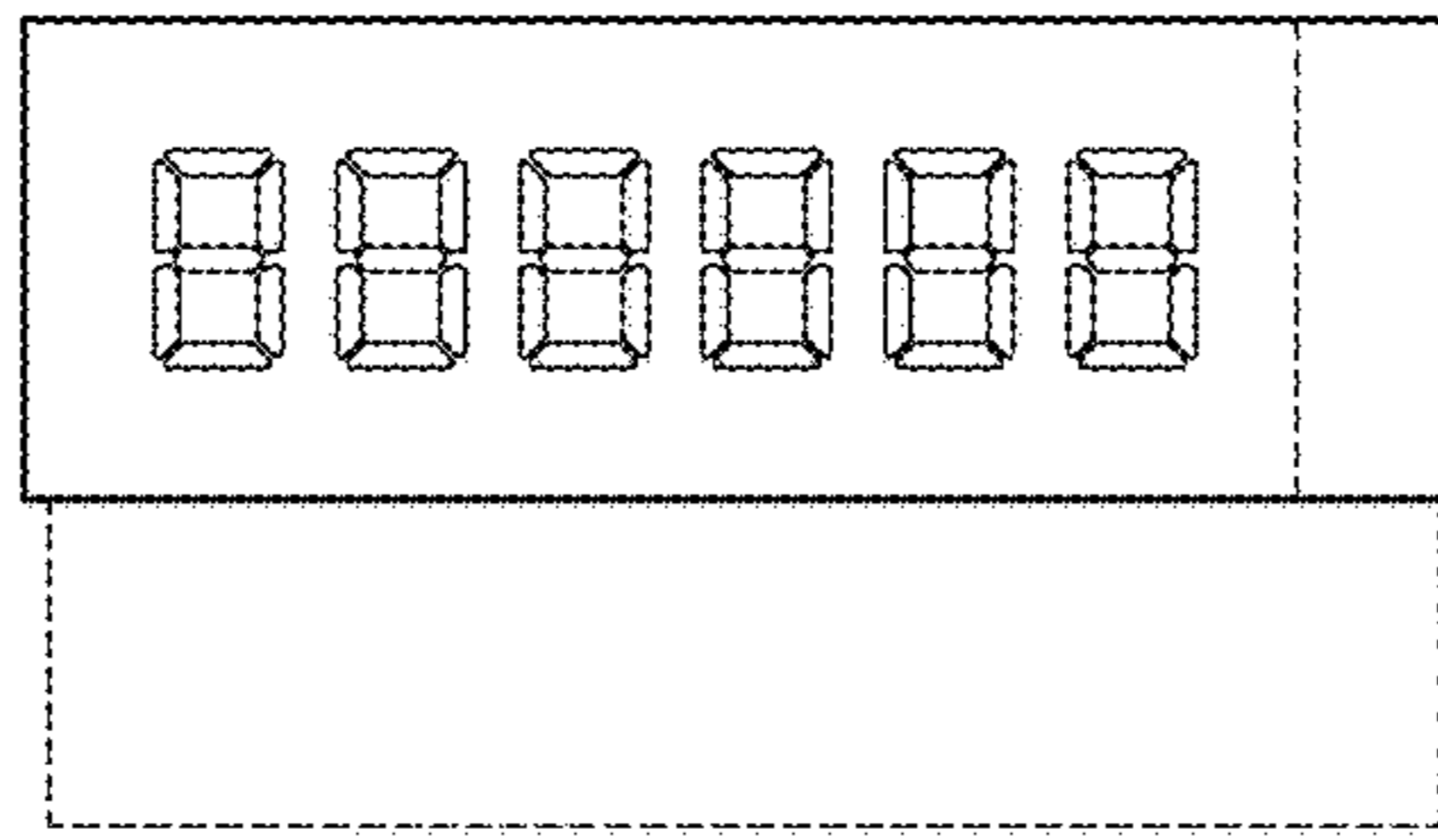


FIG. 3

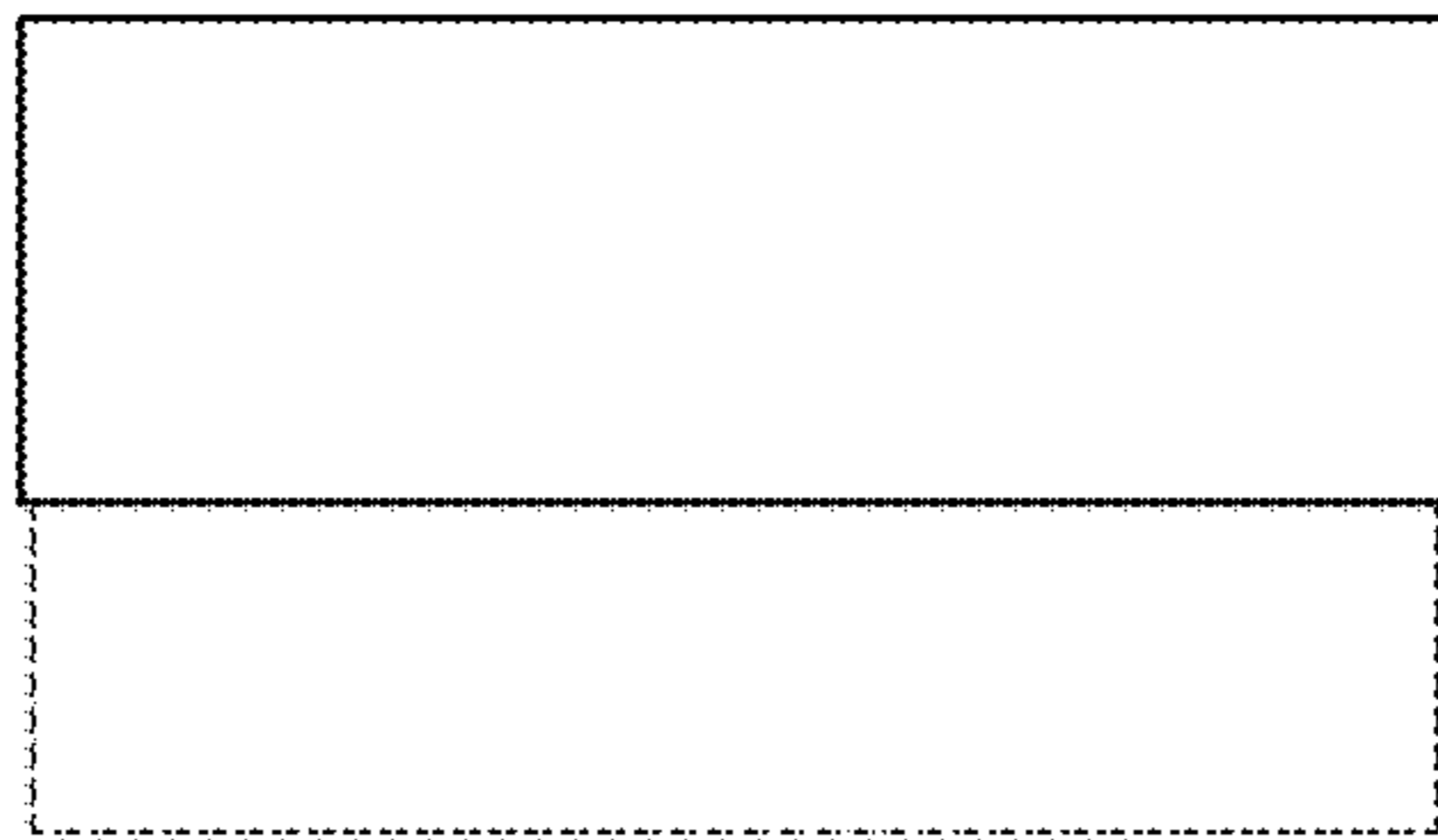


FIG. 4



FIG. 5



FIG. 6



FIG. 7



FIG. 8