



US00D792512S

(12) **United States Design Patent** (10) **Patent No.:** **US D792,512 S**  
**Mullen et al.** (45) **Date of Patent:** **\*\* Jul. 18, 2017**

(54) **DISPLAY WITH FONT**  
(75) Inventors: **Jeffrey D. Mullen**, Pittsburgh, PA (US);  
**Philip W. Yen**, Cupertino, CA (US);  
**Bruce S. Cloutier**, Jeannette, PA (US);  
**L. Casimir Mostowy, Jr.**, Pittsburgh,  
PA (US)

4,614,861 A 9/1986 Pavlov et al.  
4,667,087 A 5/1987 Quintana  
4,701,601 A 10/1987 Francini et al.  
4,720,860 A 1/1988 Weiss  
4,786,791 A 11/1988 Hodama  
4,791,283 A 12/1988 Burkhardt  
4,797,542 A 1/1989 Hara  
4,847,798 A \* 7/1989 Kurashima ..... 361/679.09  
(Continued)

(73) Assignee: **DYNAMICS INC.**, Pittsburgh, PA (US)

(\* ) Notice: This patent is subject to a terminal disclaimer.

(\*\*) Term: **14 Years**

(21) Appl. No.: **29/365,484**

(22) Filed: **Jul. 9, 2010**

(51) **LOC (10) Cl.** ..... **19-08**

(52) **U.S. Cl.**  
USPC ..... **D19/10; D10/15**

(58) **Field of Classification Search**  
USPC ..... D10/1-40; 368/107-121, 96-100;  
307/141.4; 40/450, 446, 448, 451, 447,  
40/124.01-124.15, 661, 672, 726, 776;  
D14/490, 435-437; D18/6, 4.6, 12.1,  
D18/12.3, 7; 340/323 R; D19/1-12,  
D19/20-34; 283/72, 74-75, 103,  
283/105-107, 82, 70, 904; 206/449;  
D21/385; D20/10-11, 22, 40, 42; 360/2;  
235/380, 382  
CPC .. G09F 9/37; G09G 5/00; G04F 1/005; G04F  
1/00; G07C 1/00; G07C 1/22  
See application file for complete search history.

(56) **References Cited**

**U.S. PATENT DOCUMENTS**

D254,605 S \* 4/1980 Pummer ..... D10/125  
4,353,064 A 10/1982 Stamm  
4,382,280 A \* 5/1983 Mandel et al. .... 700/93  
4,394,654 A 7/1983 Hofmann-Cerfontaine

**FOREIGN PATENT DOCUMENTS**

JP 05210770 A 8/1993  
WO WO9852735 11/1998  
(Continued)

**OTHER PUBLICATIONS**

U.S. Appl. No. 60/594,300, Poidomani et al.  
(Continued)

*Primary Examiner* — Abraham Bahta

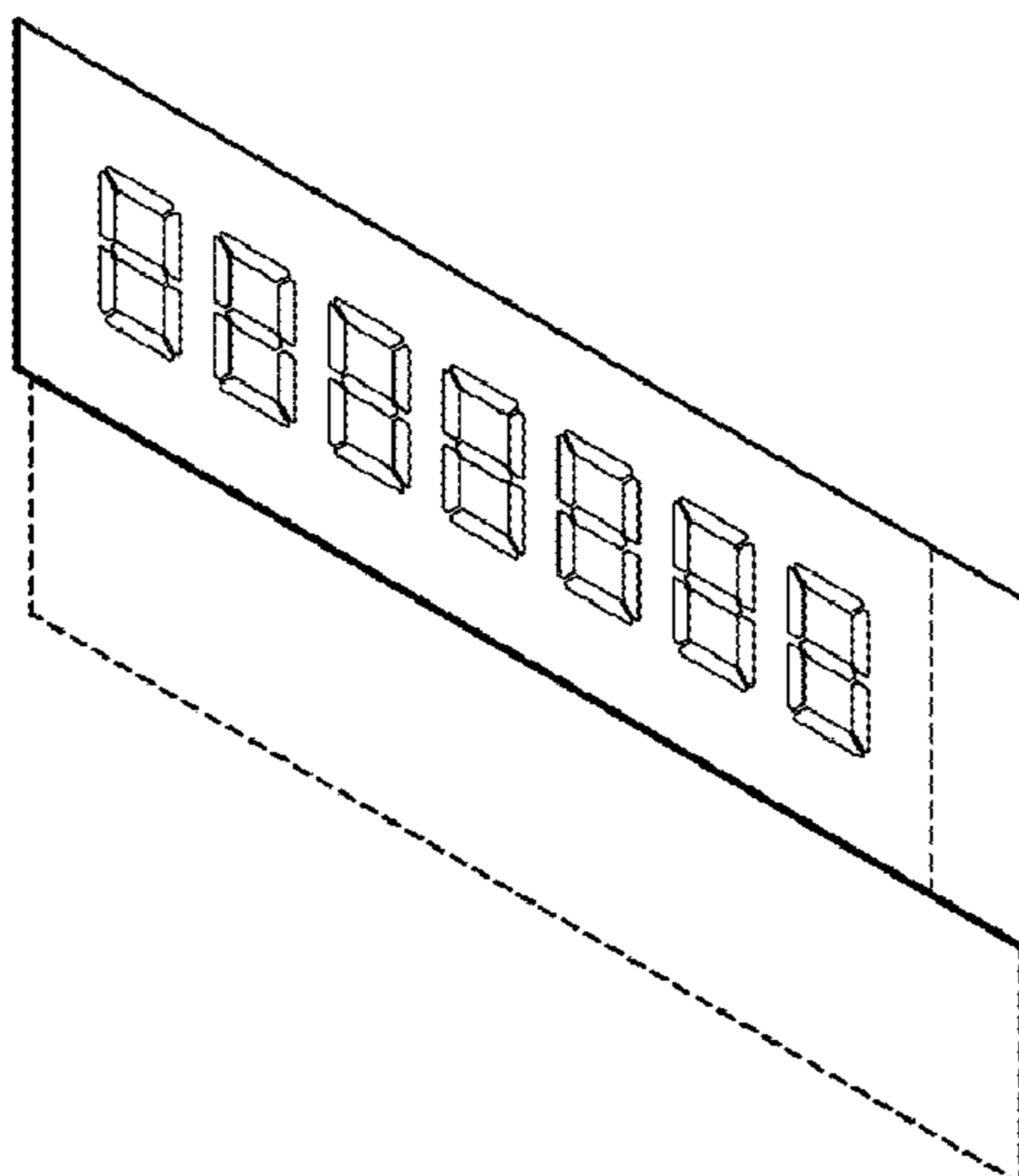
(57) **CLAIM**

The ornamental design for a display with font, as shown and described.

**DESCRIPTION**

FIG. 1 is a front, bottom, and left side perspective view of our new design for a display with font;  
FIG. 2 is a front, top, and left side perspective view thereof;  
FIG. 3 is a front side view thereof;  
FIG. 4 is a back side view thereof;  
FIG. 5 is a top side view thereof;  
FIG. 6 is a bottom side view thereof;  
FIG. 7 is a left side view thereof; and,  
FIG. 8 is a right side view thereof.  
The broken lines showing environment in the drawings are for illustrative purposes only and form no part of the claimed design.

**1 Claim, 2 Drawing Sheets**



(56)

References Cited

U.S. PATENT DOCUMENTS

D302,973 S *	8/1989	Nishida	D14/387	D467,821 S *	12/2002	Ogawa	D10/40
D307,291 S *	4/1990	Ida	D18/7	D477,359 S	7/2003	Haas	
4,954,977 A *	9/1990	Colombat	708/162	6,592,044 B1	7/2003	Wong et al.	
5,038,251 A	8/1991	Sugiyama et al.		6,599,003 B2 *	7/2003	Hou et al.	362/559
D323,129 S *	1/1992	Dulaney et al.	D10/125	6,607,127 B2	8/2003	Wong	
D328,763 S *	8/1992	Laviana et al.	D20/12	6,609,654 B1	8/2003	Anderson et al.	
5,168,520 A	12/1992	Weiss		6,631,849 B2	10/2003	Blossom	
D333,831 S *	3/1993	Chen	D18/7	6,655,585 B2	12/2003	Shinn	
5,237,614 A	8/1993	Weiss		6,681,988 B2	1/2004	Stack et al.	
5,276,311 A	1/1994	Hennige		6,705,520 B1	3/2004	Pitroda et al.	
D346,759 S *	5/1994	Job et al.	D10/125	D490,841 S *	6/2004	Castillo	D18/7
5,347,580 A	9/1994	Molva et al.		6,755,341 B1	6/2004	Wong et al.	
5,361,062 A	11/1994	Weiss et al.		D493,195 S	7/2004	Creighton	
5,412,199 A	5/1995	Finkelstein et al.		6,764,005 B2	7/2004	Cooper	
D359,305 S	6/1995	Finkelstein		6,769,618 B1	8/2004	Finkelstein	
5,434,398 A	7/1995	Goldberg		6,805,288 B2	10/2004	Routhenstein et al.	
5,434,405 A	7/1995	Finkelstein et al.		6,811,082 B2	11/2004	Wong	
D362,392 S *	9/1995	Healey	D10/15	6,813,354 B1	11/2004	Jakobsson et al.	
5,478,994 A	12/1995	Rahman		6,817,532 B2	11/2004	Finkelstein	
5,479,512 A	12/1995	Weiss		D500,254 S *	12/2004	Nakagawa	D10/40
D365,841 S *	1/1996	Takahata et al.	D18/7	6,873,974 B1	3/2005	Schutzer	
5,484,997 A	1/1996	Haynes		6,902,116 B2	6/2005	Finkelstein	
5,485,519 A	1/1996	Weiss		6,970,070 B2	11/2005	Juels et al.	
5,585,787 A	12/1996	Wallerstein		6,980,969 B1	12/2005	Tuchler et al.	
5,591,949 A	1/1997	Bernstein		6,985,583 B1	1/2006	Brainard et al.	
5,608,203 A	3/1997	Finkelstein et al.		6,991,155 B2	1/2006	Burchette, Jr.	
5,623,552 A	4/1997	Lane		7,013,030 B2	3/2006	Wong et al.	
5,657,388 A	8/1997	Weiss		7,035,443 B2	4/2006	Wong	
D385,294 S *	10/1997	Bedol	D18/2	7,039,223 B2	5/2006	Wong	
D387,802 S	12/1997	Finkelstein		7,044,394 B2	5/2006	Brown	
5,834,747 A	11/1998	Cooper		7,051,929 B2	5/2006	Li	
5,834,756 A	11/1998	Gutman et al.		7,083,094 B2	8/2006	Cooper	
5,856,661 A	1/1999	Finkelstein et al.		7,100,049 B2	8/2006	Gasparini et al.	
5,864,623 A	1/1999	Messina et al.		7,100,821 B2	9/2006	Rasti	
D406,271 S *	3/1999	Henriksen	D18/7	7,111,172 B1	9/2006	Duane et al.	
D408,438 S *	4/1999	Matsubara et al.	D18/7	7,114,652 B2	10/2006	Moulette et al.	
5,907,142 A	5/1999	Kelsey		7,136,514 B1	11/2006	Wong	
5,913,203 A	6/1999	Wong et al.		7,140,550 B2	11/2006	Ramachandran	
D412,524 S *	8/1999	Bedol	D18/7	7,163,153 B2	1/2007	Blossom	
5,937,394 A	8/1999	Wong et al.		7,195,154 B2	3/2007	Routhenstein	
5,955,021 A	9/1999	Tiffany, III		7,197,639 B1	3/2007	Juels et al.	
5,956,699 A	9/1999	Wong et al.		D540,372 S *	4/2007	Young	D18/7
6,025,054 A	2/2000	Tiffany, III		7,219,368 B2	5/2007	Juels et al.	
6,045,043 A	4/2000	Bashan et al.		7,225,537 B2	6/2007	Reed	
6,076,163 A	6/2000	Hoffstein et al.		7,225,994 B2	6/2007	Finkelstein	
6,085,320 A	7/2000	Kaliski		7,246,752 B2	7/2007	Brown	
6,095,416 A	8/2000	Grant et al.		7,298,243 B2	11/2007	Juels et al.	
6,130,621 A	10/2000	Weiss		7,334,732 B2	2/2008	Cooper	
D434,041 S	11/2000	Burke		7,337,326 B2	2/2008	Palmer et al.	
6,145,079 A	11/2000	Mitty et al.		D565,097 S	3/2008	Brown	
6,157,920 A	12/2000	Jakobsson et al.		7,346,775 B2	3/2008	Gasparini et al.	
6,161,181 A	12/2000	Haynes, III et al.		7,356,696 B1	4/2008	Jakobsson et al.	
6,176,430 B1	1/2001	Finkelstein et al.		7,357,319 B1	4/2008	Lin et al.	
6,182,894 B1	2/2001	Hackett et al.		7,359,507 B2	4/2008	Kaliski	
6,189,098 B1	2/2001	Kaliski		7,360,688 B1	4/2008	Harris	
6,199,052 B1	3/2001	Mitty et al.		7,363,494 B2	4/2008	Brainard et al.	
6,206,293 B1	3/2001	Gutman et al.		7,380,710 B2	6/2008	Brown	
D441,393 S *	5/2001	Chan	D18/7	D572,309 S *	7/2008	Bhavnani	D19/88
D442,619 S *	5/2001	Fong	D18/7	7,398,253 B1	7/2008	Pinnell	
6,240,184 B1	5/2001	Huynh et al.		7,404,087 B2	7/2008	Teunen	
6,241,153 B1	6/2001	Tiffany, III		7,424,570 B2	9/2008	D'Albore et al.	
6,256,873 B1	7/2001	Tiffany, III		7,427,033 B1	9/2008	Roskind	
6,269,163 B1	7/2001	Rivest et al.		D578,569 S	10/2008	Lasch	
D447,435 S *	9/2001	Thomas	D10/124	7,454,349 B2	11/2008	Teunen et al.	
6,286,022 B1	9/2001	Kaliski et al.		D582,476 S	12/2008	Field	
6,308,890 B1	10/2001	Cooper		D582,977 S	12/2008	Field	
6,313,724 B1	11/2001	Osterweil		7,461,250 B1	12/2008	Duane et al.	
6,389,442 B1	5/2002	Yin et al.		7,461,399 B2	12/2008	Juels et al.	
6,393,447 B1	5/2002	Jakobsson et al.		7,472,093 B2	12/2008	Juels	
6,411,715 B1	6/2002	Liskov et al.		7,472,829 B2	1/2009	Brown	
D462,714 S	9/2002	Creighton		7,494,055 B2	2/2009	Fernandes et al.	
6,446,052 B1	9/2002	Juels		7,502,467 B2	3/2009	Brainard et al.	
6,460,141 B1	10/2002	Olden		7,502,933 B2	3/2009	Jakobsson et al.	
D466,826 S *	12/2002	Takata et al.	D10/125	7,503,485 B1	3/2009	Routhenstein	
D467,247 S	12/2002	Pentz		7,516,492 B1	4/2009	Nisbet et al.	
				7,523,301 B2	4/2009	Nisbet et al.	
				7,530,495 B2	5/2009	Cooper	
				7,532,104 B2	5/2009	Juels	
				7,543,739 B2	6/2009	Brown et al.	

(56)

References Cited

U.S. PATENT DOCUMENTS

7,559,464 B2 7/2009 Routhenstein  
 7,562,221 B2 7/2009 Nystrom et al.  
 7,562,222 B2 7/2009 Gasparini et al.  
 7,580,898 B2 8/2009 Brown et al.  
 7,584,153 B2 9/2009 Brown et al.  
 7,591,426 B2 9/2009 Osterweil et al.  
 7,591,427 B2 9/2009 Osterweil  
 7,602,904 B2 10/2009 Juels et al.  
 7,631,804 B2 12/2009 Brown  
 7,639,537 B2 12/2009 Sepe et al.  
 7,641,124 B2 1/2010 Brown et al.  
 7,660,902 B2 2/2010 Graham et al.  
 7,828,207 B2 11/2010 Cooper  
 D652,076 S \* 1/2012 Mullen et al. .... D19/10  
 2001/0034702 A1 10/2001 Mockett et al.  
 2001/0047335 A1 11/2001 Arndt et al.  
 2002/0059114 A1 5/2002 Cockrill et al.  
 2002/0082989 A1 6/2002 Fife et al.  
 2002/0096570 A1 7/2002 Wong et al.  
 2002/0120583 A1 8/2002 Keresman, III et al.  
 2003/0034388 A1 2/2003 Routhenstein et al.  
 2003/0052168 A1 3/2003 Wong  
 2003/0057278 A1 3/2003 Wong  
 2003/0116635 A1 6/2003 Taban  
 2003/0152253 A1 8/2003 Wong  
 2003/0163287 A1 8/2003 Vock et al.  
 2003/0173409 A1 9/2003 Vogt et al.  
 2003/0179909 A1 9/2003 Wong et al.  
 2003/0179910 A1 9/2003 Wong  
 2003/0226899 A1 12/2003 Finkelstein  
 2004/0035942 A1 2/2004 Silverman  
 2004/0133787 A1 7/2004 Doughty  
 2004/0162732 A1 8/2004 Rahim et al.  
 2004/0172535 A1 9/2004 Jakobsson  
 2004/0177045 A1 9/2004 Brown  
 2005/0043997 A1 2/2005 Sohata et al.  
 2005/0080747 A1 4/2005 Anderson et al.  
 2005/0086160 A1 4/2005 Wong et al.  
 2005/0086177 A1 4/2005 Anderson et al.  
 2005/0116026 A1 6/2005 Burger et al.  
 2005/0119940 A1 6/2005 Concilio et al.  
 2005/0154643 A1 7/2005 Doan et al.  
 2005/0228959 A1 10/2005 D'Albore et al.  
 2006/0000900 A1 1/2006 Fernandes et al.  
 2006/0037073 A1 2/2006 Juels et al.  
 2006/0041759 A1 2/2006 Kaliski et al.  
 2006/0085328 A1 4/2006 Cohen et al.  
 2006/0091223 A1 5/2006 Zellner  
 2006/0161435 A1 7/2006 Atef et al.  
 2006/0163353 A1 7/2006 Moulette et al.  
 2006/0174104 A1 8/2006 Crichton et al.  
 2006/0196931 A1 9/2006 Holtmanns et al.  
 2006/0256961 A1 11/2006 Brainard et al.  
 2007/0034700 A1 2/2007 Poidomani et al.  
 2007/0114274 A1 5/2007 Gibbs et al.  
 2007/0124321 A1 5/2007 Szydlo  
 2007/0152070 A1 7/2007 D'Albore  
 2007/0152072 A1 7/2007 Frallicciardi et al.  
 2007/0153487 A1 7/2007 Frallicciardi et al.

2007/0174614 A1 7/2007 Duane et al.  
 2007/0192249 A1 8/2007 Biffle et al.  
 2007/0241183 A1 10/2007 Brown et al.  
 2007/0241201 A1 10/2007 Brown et al.  
 2007/0256123 A1 11/2007 Duane et al.  
 2007/0291753 A1 12/2007 Romano  
 2008/0005510 A1 1/2008 Sepe et al.  
 2008/0008315 A1 1/2008 Fontana et al.  
 2008/0008322 A1 1/2008 Fontana et al.  
 2008/0010675 A1 1/2008 Massascusa et al.  
 2008/0016351 A1 1/2008 Fontana et al.  
 2008/0019507 A1 1/2008 Fontana et al.  
 2008/0028447 A1 1/2008 O'Malley et al.  
 2008/0040271 A1 2/2008 Hammad et al.  
 2008/0040276 A1 2/2008 Hammad et al.  
 2008/0058016 A1 3/2008 Di Maggio et al.  
 2008/0059379 A1 3/2008 Ramaci et al.  
 2008/0096326 A1 4/2008 Reed  
 2008/0126398 A1 5/2008 Cimino  
 2008/0128515 A1 6/2008 Di Iorio  
 2008/0148394 A1 6/2008 Poidomani et al.  
 2008/0201264 A1 8/2008 Brown et al.  
 2008/0209550 A1 8/2008 Di Iorio  
 2008/0288699 A1 11/2008 Chichierchia  
 2008/0294930 A1 11/2008 Varone et al.  
 2008/0302877 A1 12/2008 Musella et al.  
 2009/0013122 A1 1/2009 Sepe et al.  
 2009/0036147 A1 2/2009 Romano  
 2009/0046522 A1 2/2009 Sepe et al.  
 2009/0108064 A1 4/2009 Fernandes et al.  
 2009/0150295 A1 6/2009 Hatch et al.  
 2009/0152365 A1 6/2009 Li et al.  
 2009/0242648 A1 10/2009 Di Sirio et al.  
 2009/0244858 A1 10/2009 Di Sirio et al.  
 2009/0253460 A1 10/2009 Varone et al.  
 2009/0255996 A1 10/2009 Brown et al.  
 2009/0290704 A1 11/2009 Cimino  
 2009/0303885 A1 12/2009 Longo  
 2011/0028184 A1 2/2011 Cooper

FOREIGN PATENT DOCUMENTS

WO WO0247019 6/2002  
 WO WO2006066322 6/2006  
 WO WO2006080929 8/2006  
 WO WO2006105092 10/2006  
 WO WO2006116772 11/2006  
 WO WO2008064403 6/2008

OTHER PUBLICATIONS

U.S. Appl. No. 60/675,388, Poidomani et al.  
 The Bank Credit Card Business. Second Edition, American Bankers Association, Washington, D.C., 1996.  
 A Day in the Life of a Flux Reversal. <http://www.phrack.org/issues.html?issue=37&id=6#article>. As viewed on Apr. 12, 2010.  
 Dynamic Virtual Credit Card Numbers. <http://homes.cerias.purdue.edu/~jtli/paper/fc07.pdf>. As viewed on Apr. 12, 2010.  
 English translation of JP 05210770 A.

\* cited by examiner

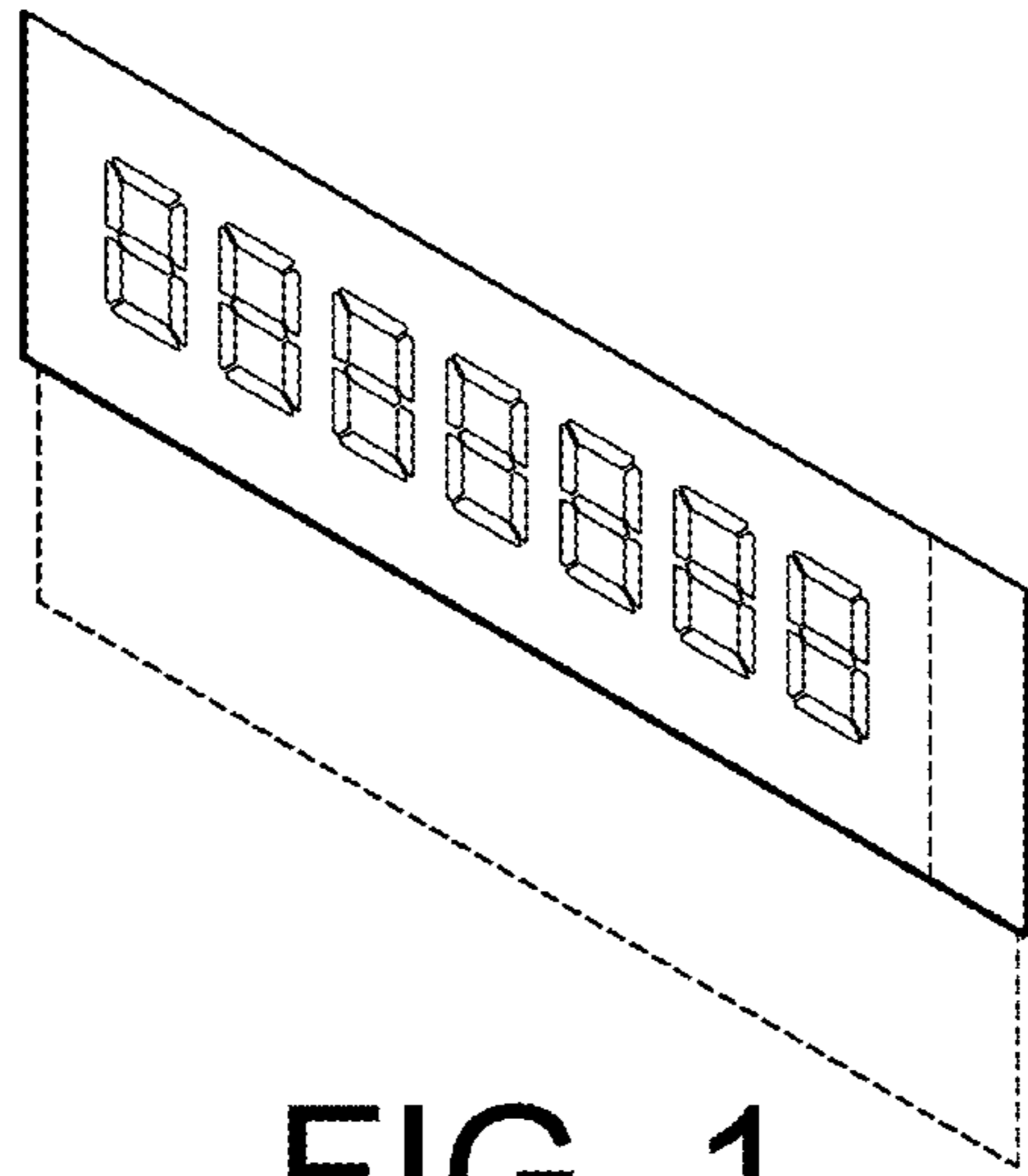


FIG. 1

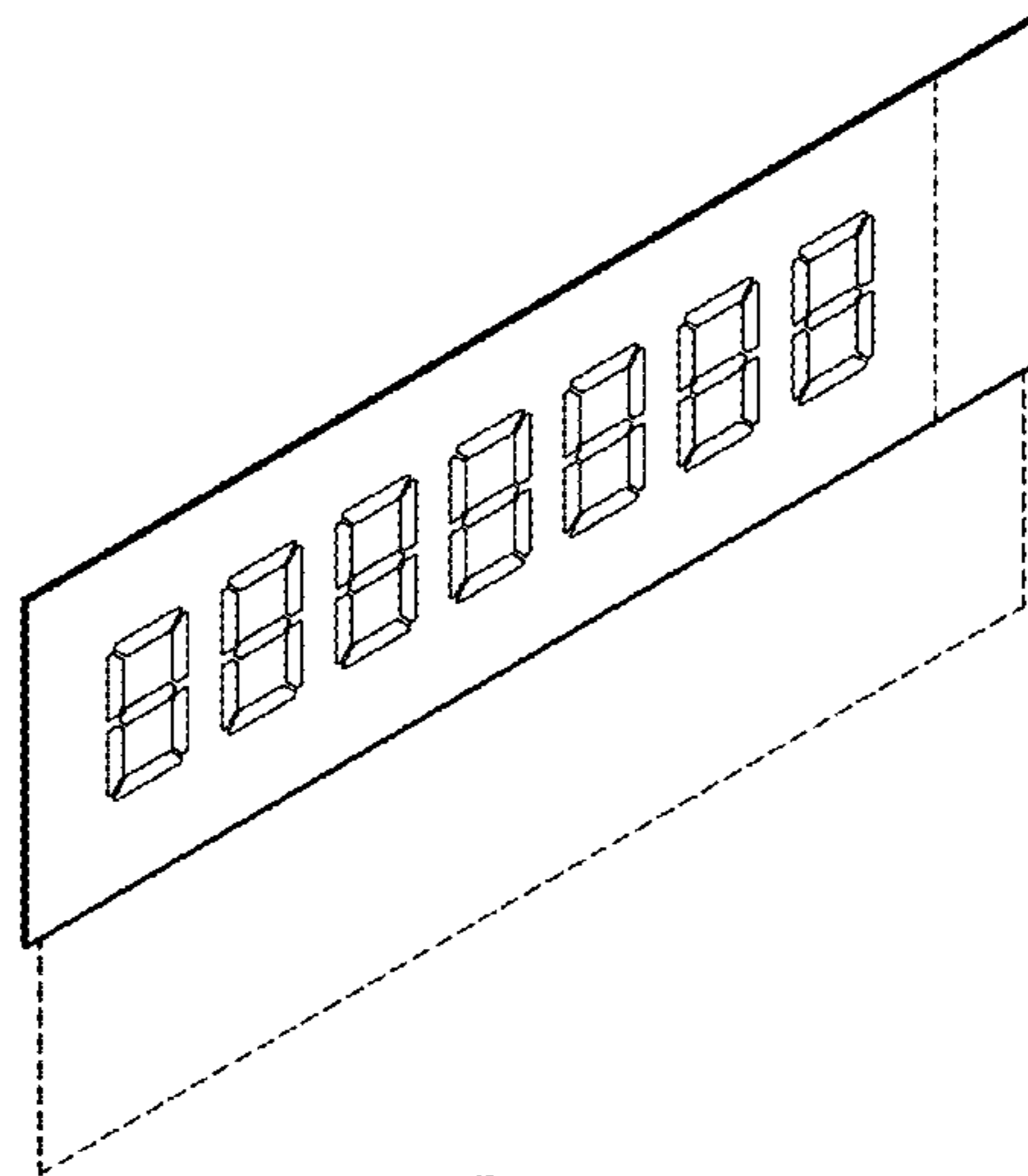


FIG. 2

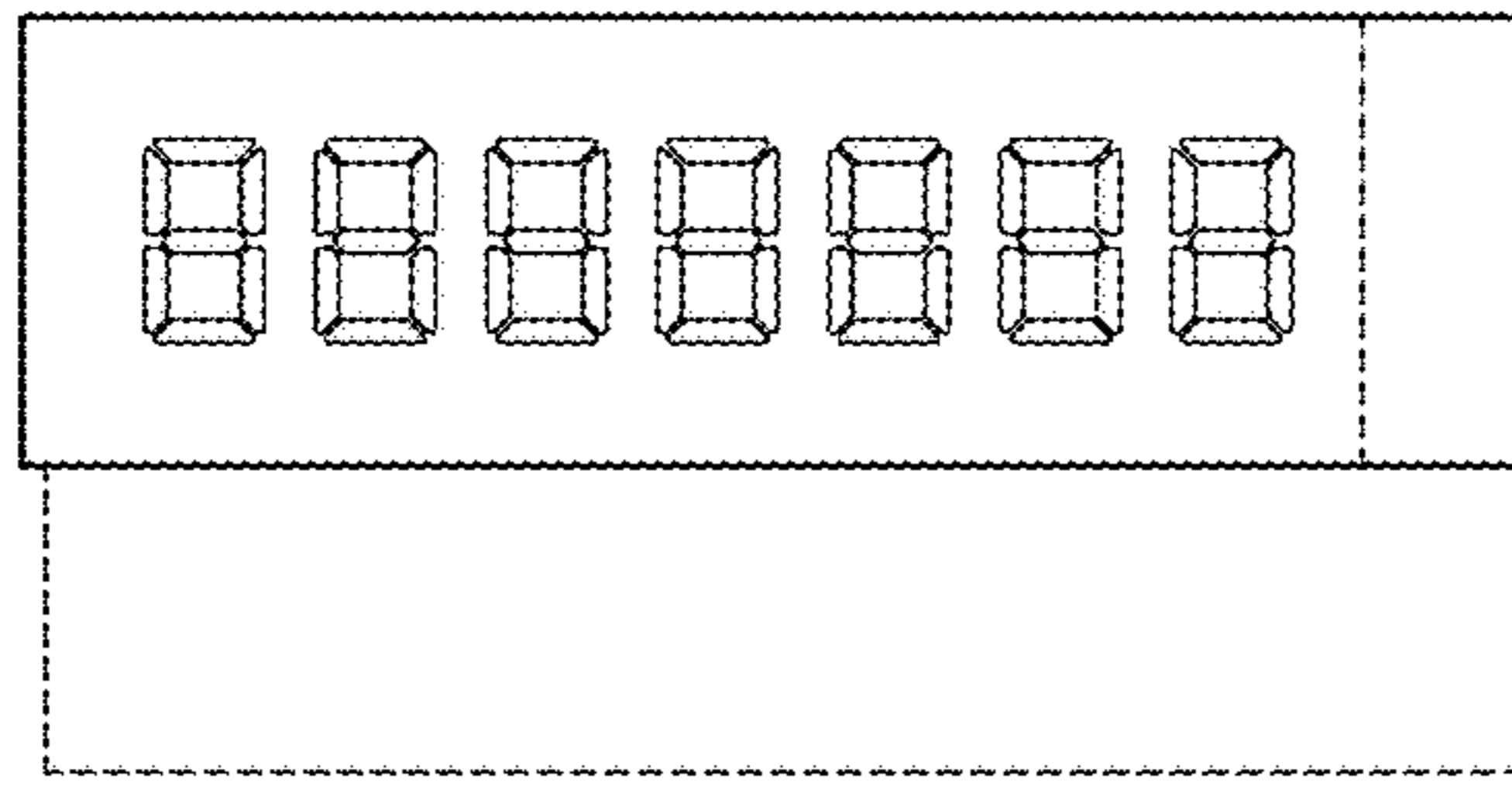


FIG. 3

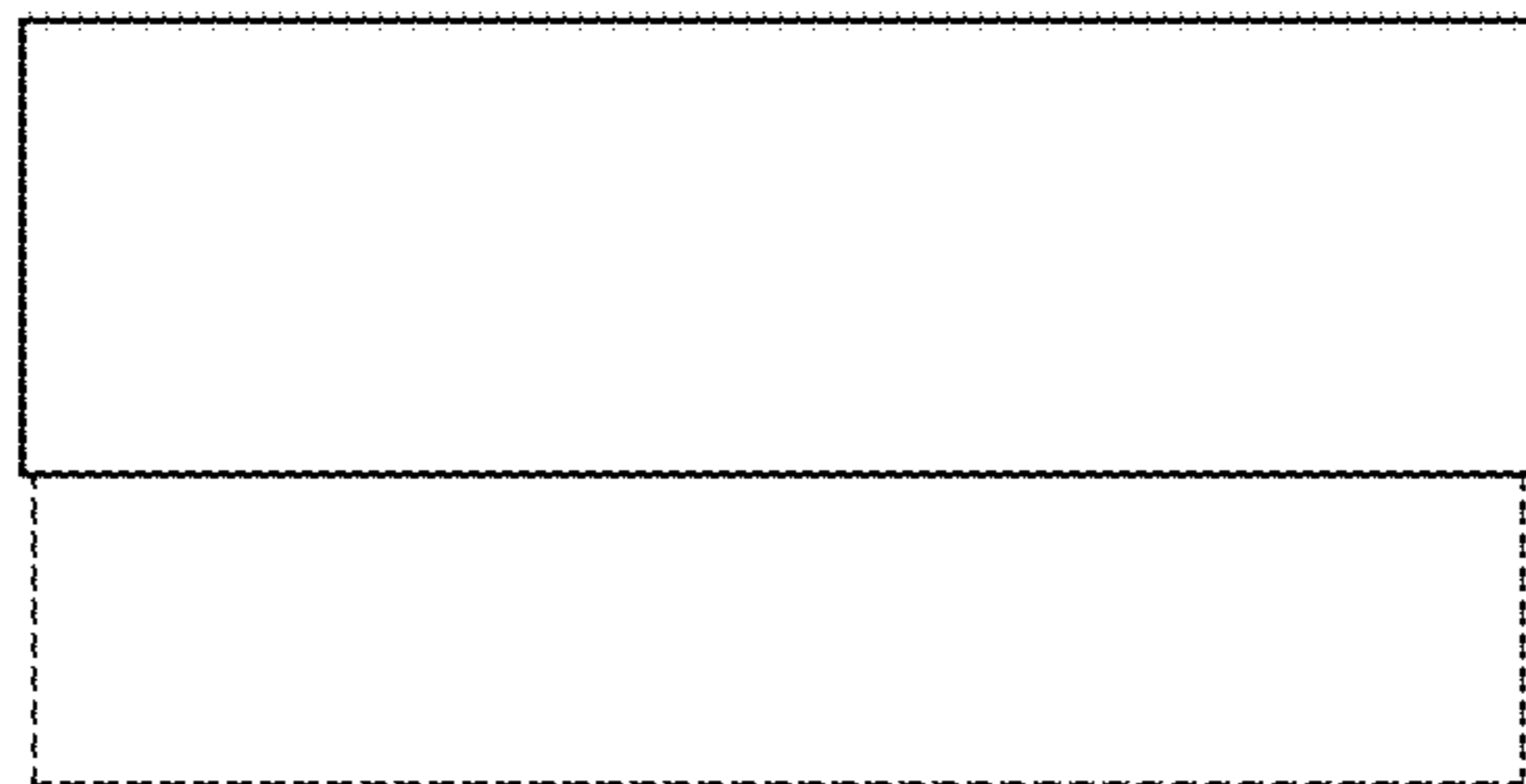


FIG. 4



FIG. 5



FIG. 6



FIG. 7



FIG. 8