



US00D792509S

(12) **United States Design Patent** (10) **Patent No.:** **US D792,509 S**
Hayashi et al. (45) **Date of Patent:** **** Jul. 18, 2017**

(54) **INK TANK FOR PRINTER**
(71) Applicant: **Canon Kabushiki Kaisha**, Ohta-ku, Tokyo (JP)
(72) Inventors: **Hiroki Hayashi**, Kawasaki (JP); **Takeho Miyashita**, Yokohama (JP); **Tetsuya Ohashi**, Matsudo (JP)
(73) Assignee: **Canon Kabushiki Kaisha**, Tokyo (JP)
(**) Term: **15 Years**

D626,173 S 10/2010 Inoue et al. D18/56
D627,818 S * 11/2010 Ishizawa 347/86
D648,779 S * 11/2011 Saito D18/43
D677,721 S * 3/2013 Kawate D18/56
D681,728 S * 5/2013 Takagi 347/86
D682,929 S * 5/2013 Aoki D18/56
D692,052 S * 10/2013 Ishizawa D18/56

(Continued)

FOREIGN PATENT DOCUMENTS

KR 30-0527265 4/2009

OTHER PUBLICATIONS

U.S. Appl. No. 29/540,328, filed Sep. 23, 2015, H. Murakami.
U.S. Appl. No. 29/536,246, filed Aug. 14, 2015, H. Hayashi.
U.S. Appl. No. 29/560,296, filed Apr. 5, 2016, H. Hayashi.

(21) Appl. No.: **29/560,299**
(22) Filed: **Apr. 5, 2016**
(30) **Foreign Application Priority Data**
Oct. 6, 2015 (JP) 2015-022001
(51) **LOC (10) Cl.** **18-02**
(52) **U.S. Cl.**
USPC **D18/56**
(58) **Field of Classification Search**
USPC D18/12, 18, 40, 43, 44, 56, 99; D14/484
CPC . B41J 15/044; B41J 32/00; B41J 17/32; B41J
33/52; B41J 33/56; B41J 35/36; G11B
23/08757
See application file for complete search history.

Primary Examiner — Manpreet Matharu
Assistant Examiner — Suzanne Tisdell
(74) *Attorney, Agent, or Firm* — Fitzpatrick, Cella,
Harper & Scinto

(57) **CLAIM**

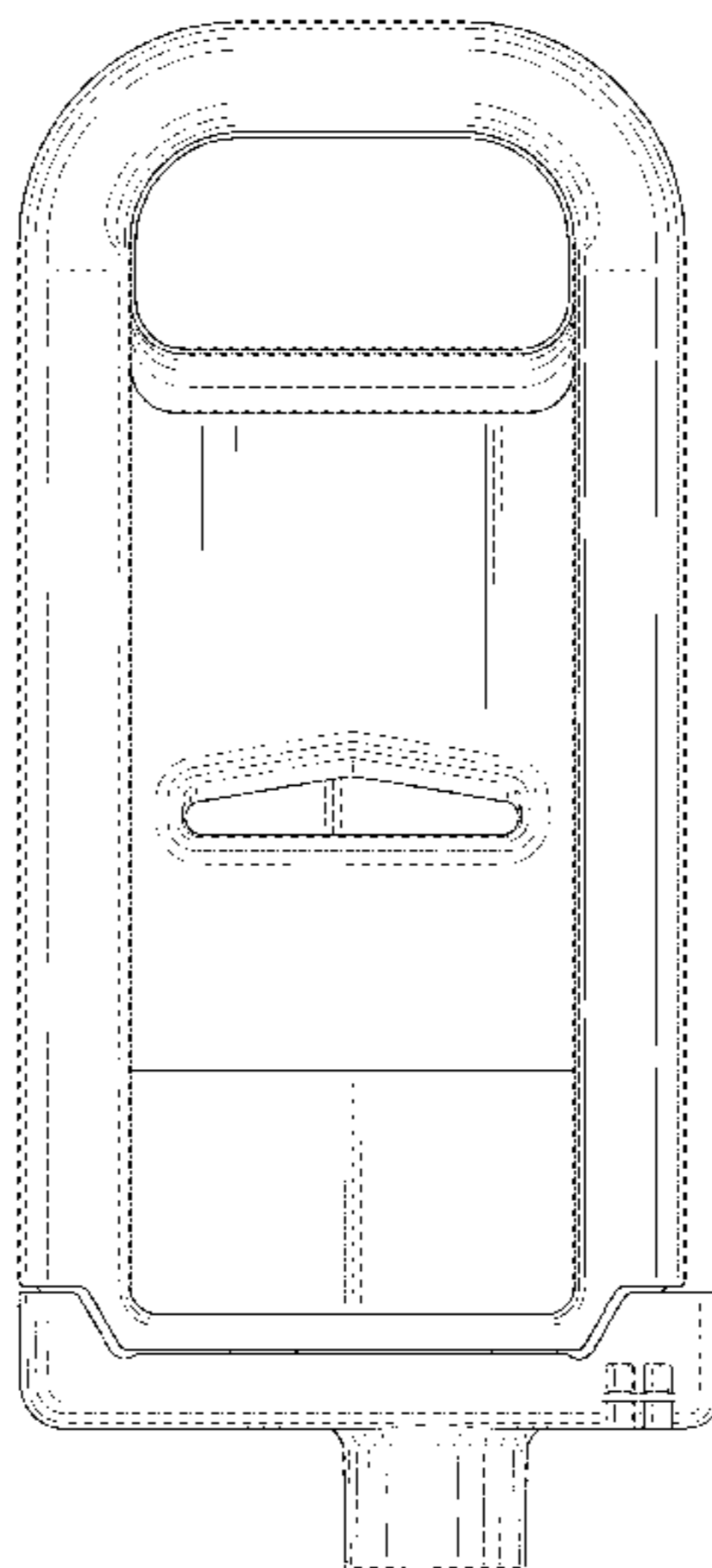
The ornamental design for an ink tank for printer, as shown and described.

DESCRIPTION

FIG. 1 is a front view of an ink tank for printer showing our new design;
FIG. 2 is a rear view thereof;
FIG. 3 is a top plan view thereof;
FIG. 4 is a bottom plan view thereof;
FIG. 5 is a left side view thereof;
FIG. 6 is a right side view thereof;
FIG. 7 is a top perspective view thereof; and,
FIG. 8 is a bottom perspective view thereof.
The broken lines shown in the drawings illustrate portions of the ink tank for printer that form no part of the claimed design.

1 Claim, 6 Drawing Sheets

(56) **References Cited**
U.S. PATENT DOCUMENTS
D501,504 S * 2/2005 Yamada 347/86
D509,531 S * 9/2005 Geserich D18/12
D530,365 S * 10/2006 Wakayama 347/86
D538,335 S * 3/2007 Chang D18/56
D549,280 S * 8/2007 Morino 347/86
D570,905 S * 6/2008 Yuen 347/86
D597,595 S * 8/2009 Nip D18/56
D602,076 S * 10/2009 Saikawa D18/56
D603,895 S * 11/2009 Hattori D18/56
D611,532 S 3/2010 Nanjo et al. D18/56
D624,960 S 10/2010 Inoue et al. D18/56



(56)

References Cited

U.S. PATENT DOCUMENTS

D696,718 S	12/2013	Murakami et al.	D18/56
D696,719 S	12/2013	Murakami et al.	D18/56
D696,720 S	12/2013	Hayashi et al.	D18/56
D696,721 S	12/2013	Kitagawa et al.	D18/59
D741,403 S *	10/2015	O'Reilly	D18/56
D759,154 S *	6/2016	Williamson	D18/43
D761,353 S *	7/2016	Oya	D18/56
D762,260 S *	7/2016	Oya	D18/56
D762,261 S *	7/2016	Takagiwa	D18/56
D767,672 S *	9/2016	Nanjo	D18/56
D767,673 S *	9/2016	Nanjo	D18/56
D767,674 S *	9/2016	Nanjo	D18/56
2007/0212151 A1 *	9/2007	Innocenti	B41J 3/4075 400/244
2008/0151425 A1 *	6/2008	Vanderheyden .	G11B 23/08728 360/132
2008/0213023 A1 *	9/2008	Koizumi	B41M 5/38221 400/208

* cited by examiner

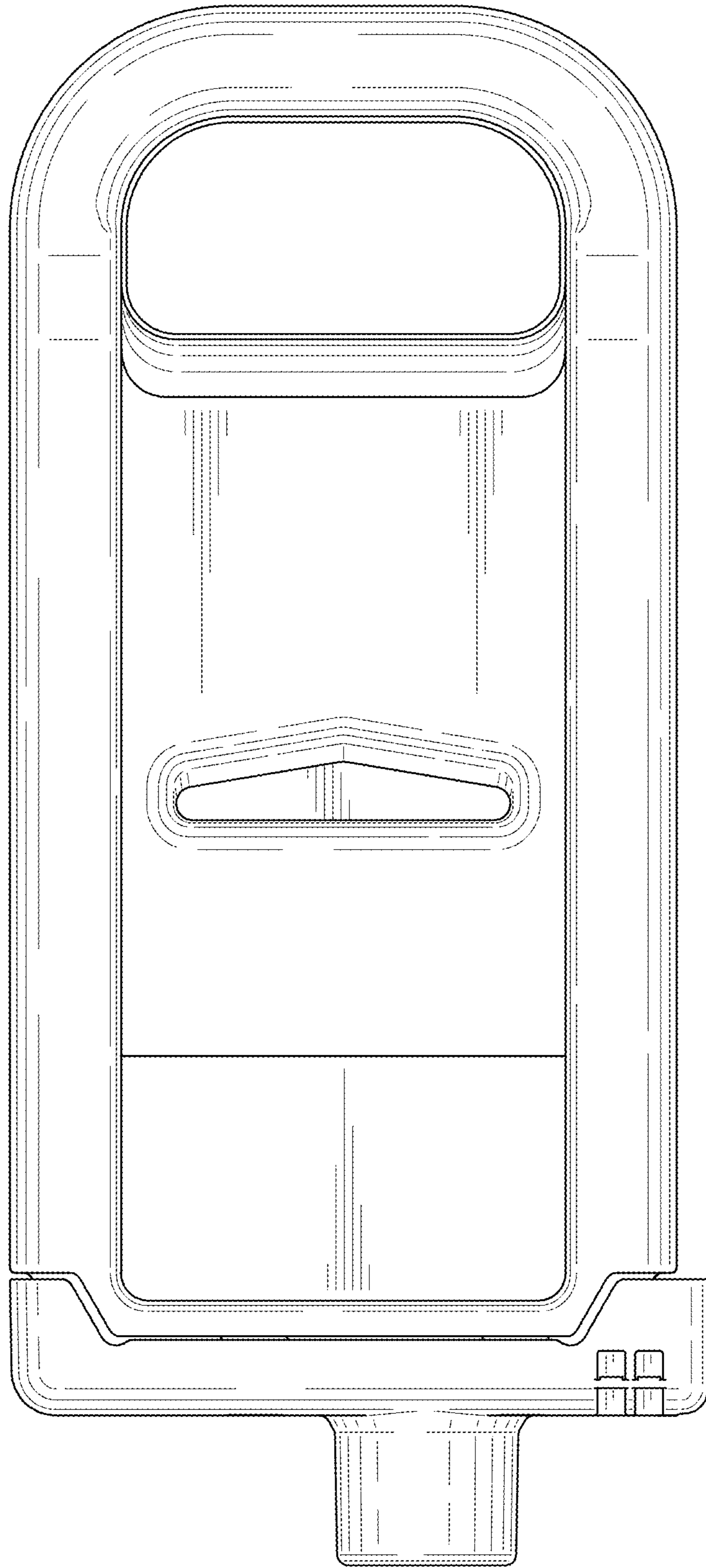


FIG. 1

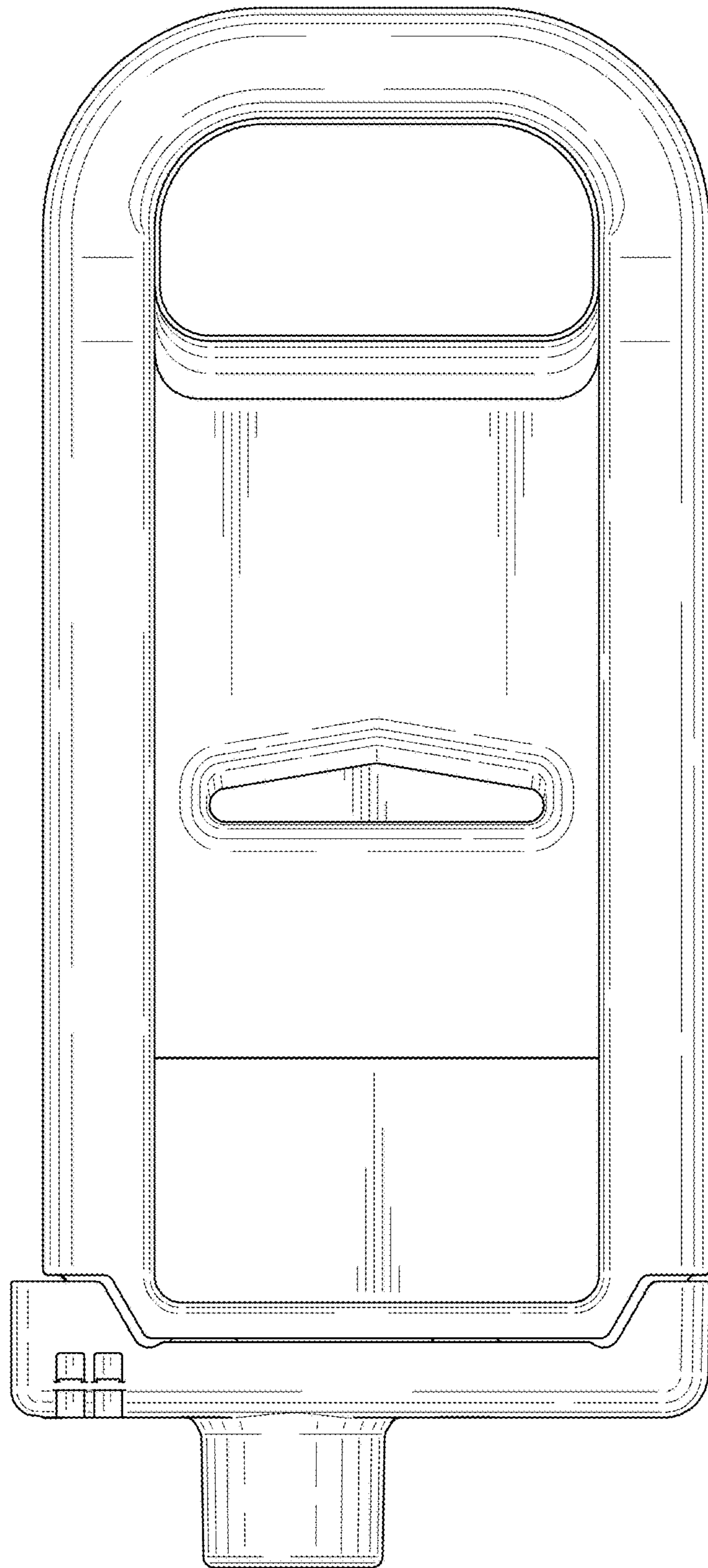


FIG. 2

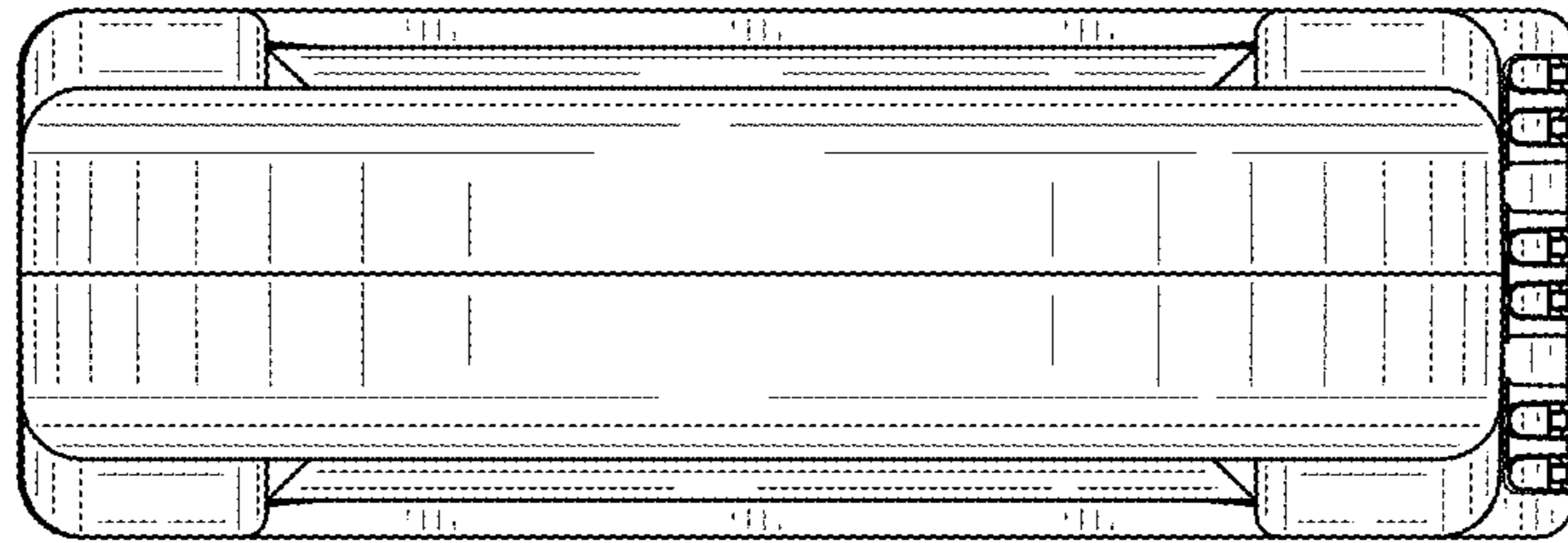


FIG. 3

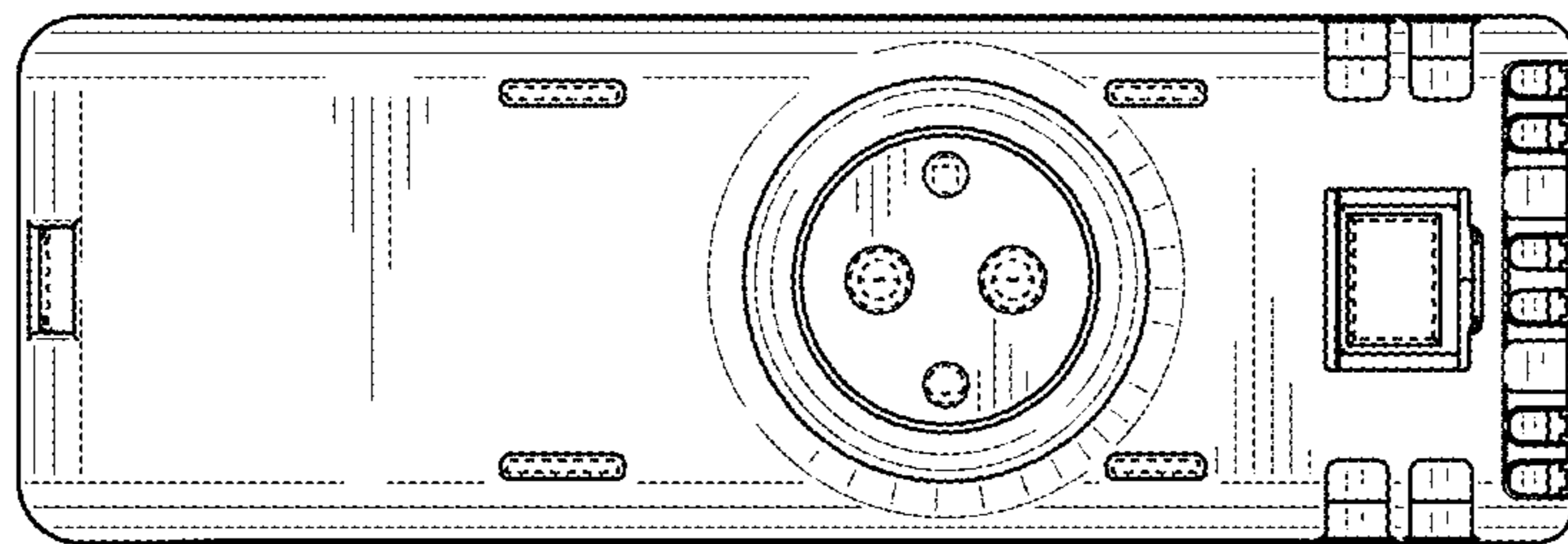


FIG. 4

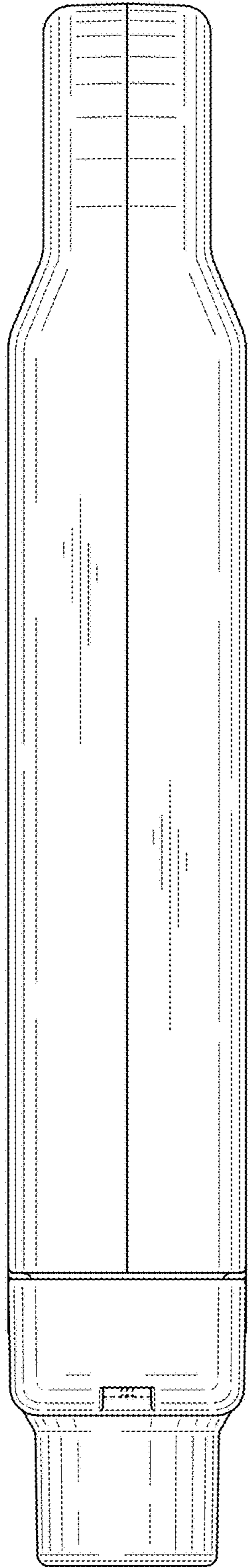


FIG. 5

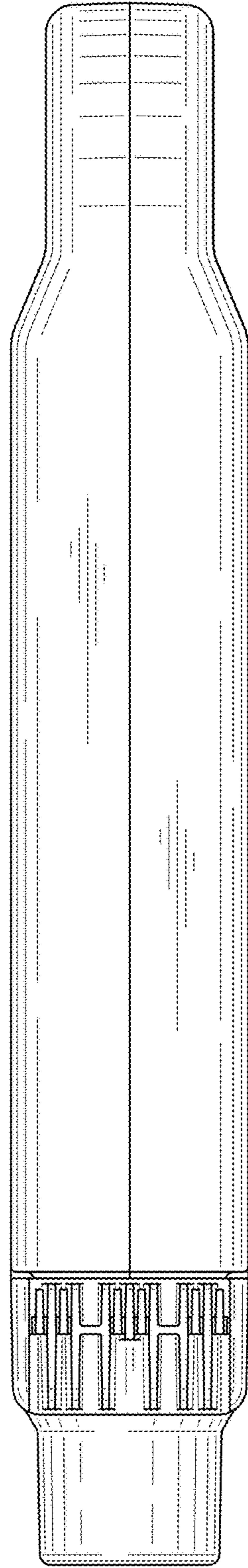


FIG. 6

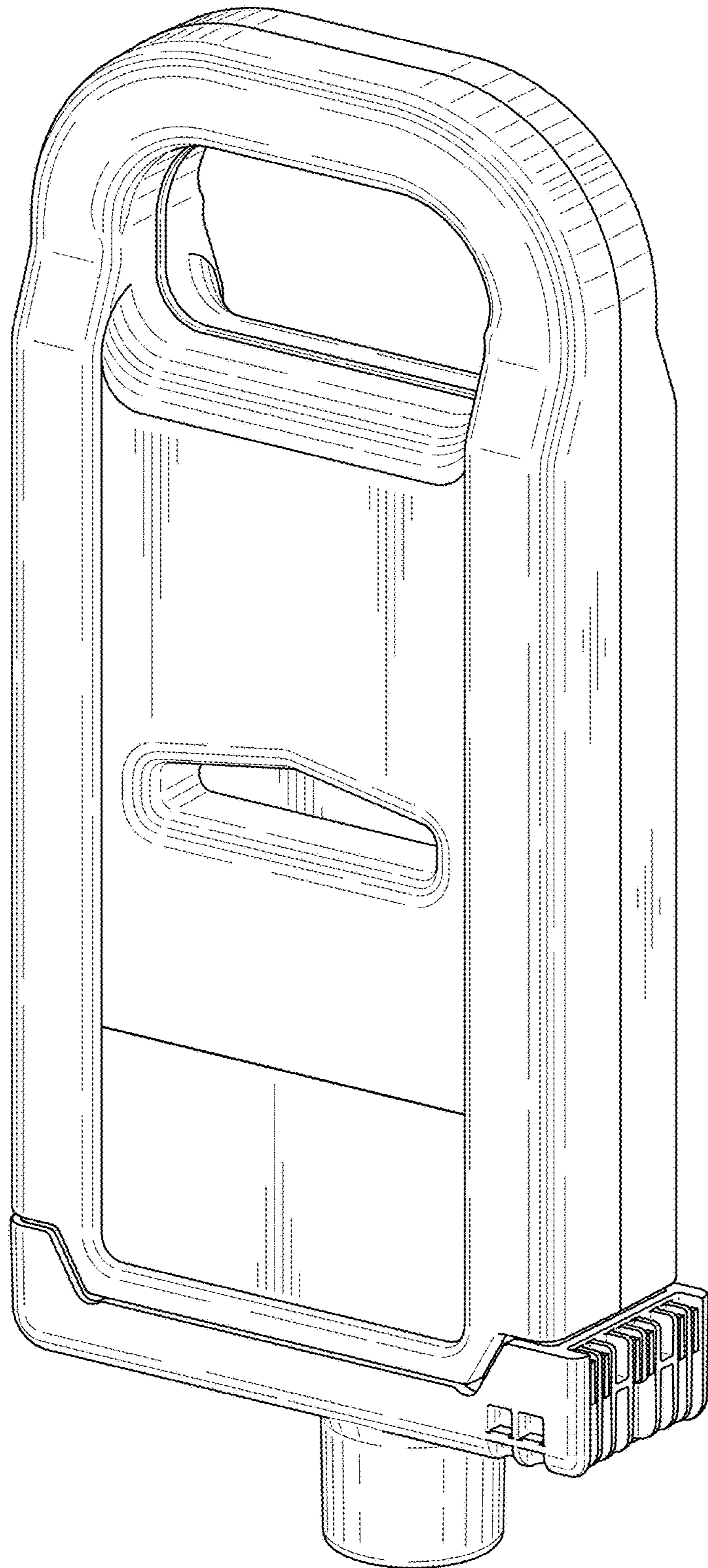


FIG. 7

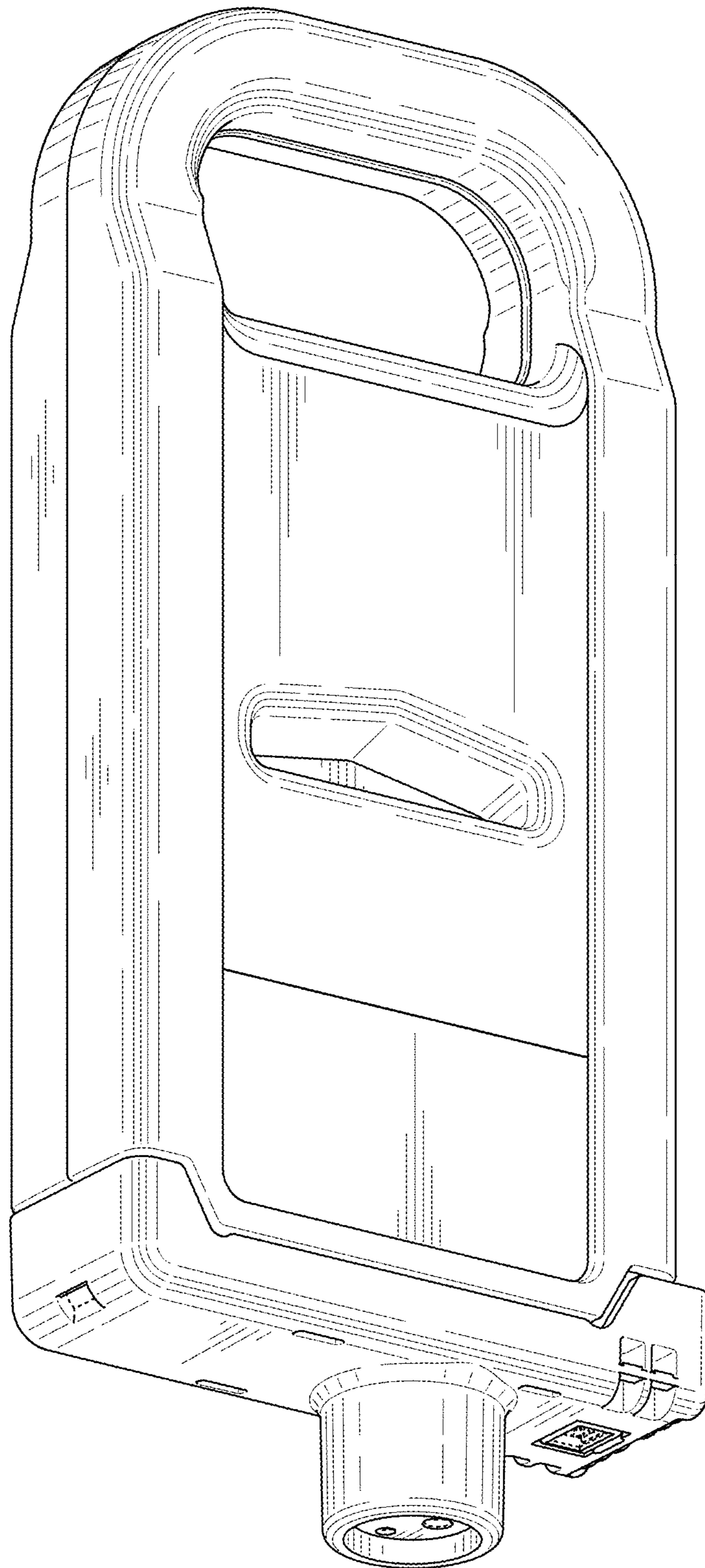


FIG. 8