



US00D792508S

(12) **United States Design Patent**
Nakagawa et al.

(10) **Patent No.:** **US D792,508 S**
(45) **Date of Patent:** **** Jul. 18, 2017**

(54) **PRINTER**

(71) Applicants: **Ryoichi Nakagawa**, Nagoya (JP); **Jiro Suzuki**, Kariya (JP)

(72) Inventors: **Ryoichi Nakagawa**, Nagoya (JP); **Jiro Suzuki**, Kariya (JP)

(73) Assignee: **BROTHER INDUSTRIES, LTD.**,
Nagoya (JP)

(**) Term: **14 Years**

(21) Appl. No.: **29/464,337**

(22) Filed: **Aug. 15, 2013**

(30) **Foreign Application Priority Data**

Feb. 15, 2013 (JP) 2013-2996

(51) **LOC (10) Cl.** **18-02**

(52) **U.S. Cl.**
USPC **D18/50**

(58) **Field of Classification Search**
USPC D18/36-37, 50, 54, 54.1, 55;
D14/420-425, 462-470; 400/613,
400/613.1-613.4, 690.1-690.4, 691-694
(Continued)

(56) **References Cited**

U.S. PATENT DOCUMENTS

D632,732 S 2/2011 Park et al.
D641,397 S * 7/2011 Kim et al. D18/55
(Continued)

FOREIGN PATENT DOCUMENTS

CN 301860743 S 3/2012
CN 301883096 S 4/2012

OTHER PUBLICATIONS

Design U.S. Appl. No. 29/464,337, filed Aug. 15, 2013.
(Continued)

Primary Examiner — Cathy Anne MacCormac
(74) *Attorney, Agent, or Firm* — Oliff PLC

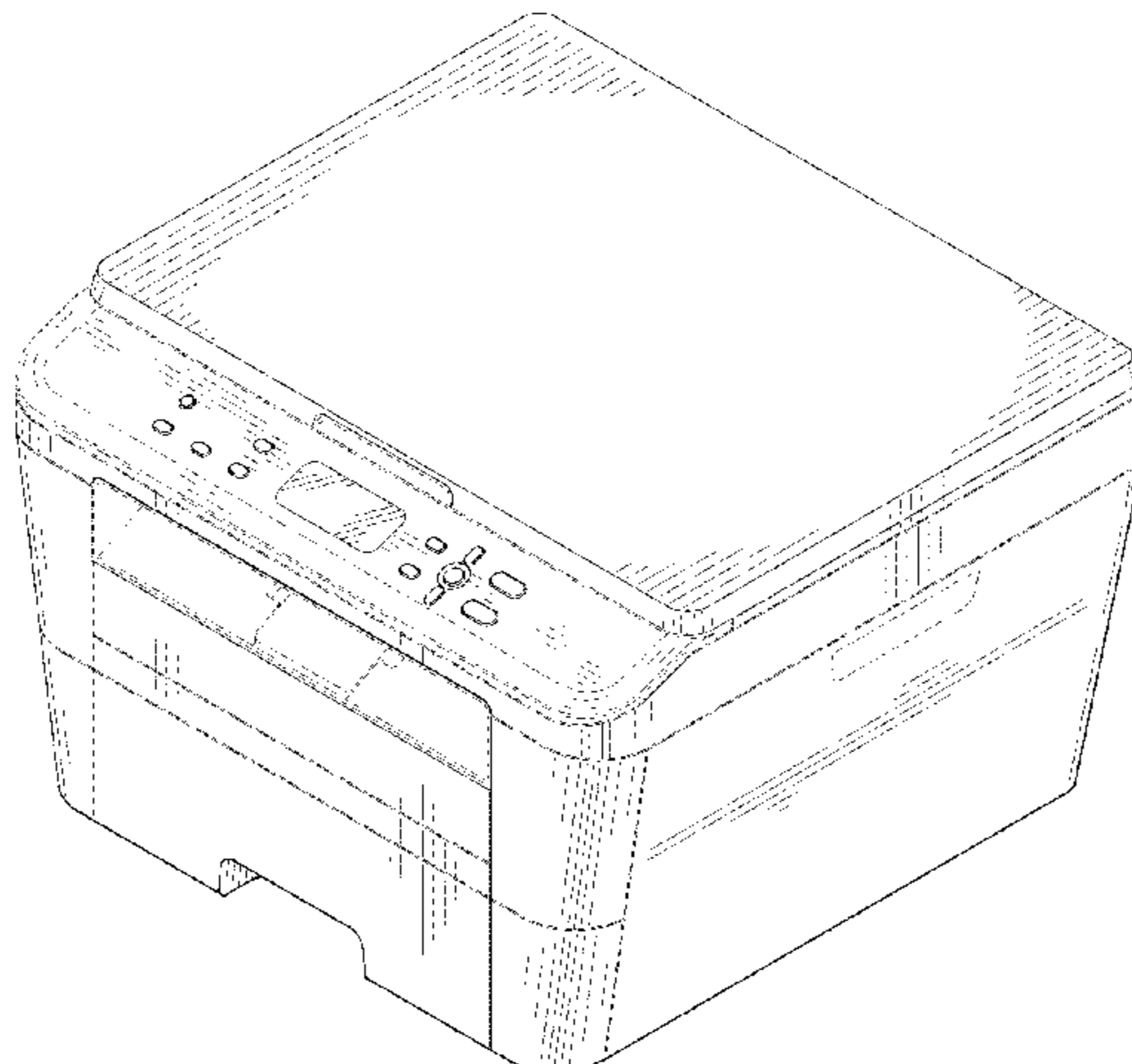
(57) **CLAIM**

The ornamental design for a printer, as shown and described.

DESCRIPTION

FIG. 1 is a perspective view of a printer;
FIG. 2 is a front view thereof;
FIG. 3 is a top view thereof;
FIG. 4 is a right-side view thereof;
FIG. 5 is a left-side view thereof;
FIG. 6 is a rear view thereof;
FIG. 7 is a bottom view thereof;
FIG. 8 is a detail view of the left-side encircled portion shown in FIG. 2;
FIG. 9 is a detail view of the encircled portion shown in FIG. 8;
FIG. 10 is a detail view of the right-side encircled portion shown in FIG. 2;
FIG. 11 is a detail view of the encircled portion shown in FIG. 10;
FIG. 12 is a detail view of the left-side encircled portion shown in FIG. 4;
FIG. 13 is a detail view of the right-side encircled portion shown in FIG. 4;
FIG. 14 is a detail view of the left-side encircled portion shown in FIG. 5;
FIG. 15 is a detail view of the right-side encircled portion shown in FIG. 5;
FIG. 16 is a detail view of the left-side encircled portion shown in FIG. 6; and,
FIG. 17 is a detail view of the right-side encircled portion shown in FIG. 6.
The evenly spaced broken lines depict environmental subject matter only and form no part of the claimed design. The dot-dash broken lines form rectangular shaped boxes around portions of FIGS. 2, 4-6, 8 and 10 and depict areas shown as detail views in FIGS. 8-17, that form no part of the claimed design.

1 Claim, 17 Drawing Sheets



(58) **Field of Classification Search**

CPC B41J 3/36; B41J 9/26; B41J 15/00; B41J
29/02; B41J 29/13; B41J 35/36; B65H
35/06; G03G 21/00; G03G 21/16; G03G
15/00; G06F 3/12; G06K 15/14

See application file for complete search history.

(56) **References Cited**

U.S. PATENT DOCUMENTS

D645,078 S	*	9/2011	Kim et al.	D18/50
D647,130 S	*	10/2011	Kim et al.	D18/50
D661,346 S	*	6/2012	Suzuki et al.	D18/55
D662,974 S		7/2012	Suzuki et al.		
D667,490 S		9/2012	Inoue et al.		
D729,310 S		5/2015	Nakagawa et al.		

OTHER PUBLICATIONS

Design U.S. Appl. No. 29/464,324, filed Aug. 15, 2013.

Nov. 4, 2016 Office Action issued in U.S. Appl. No. 29/464,324.

Apr. 20, 2017 Office Action issued in U.S. Appl. No. 29/464,324.

* cited by examiner

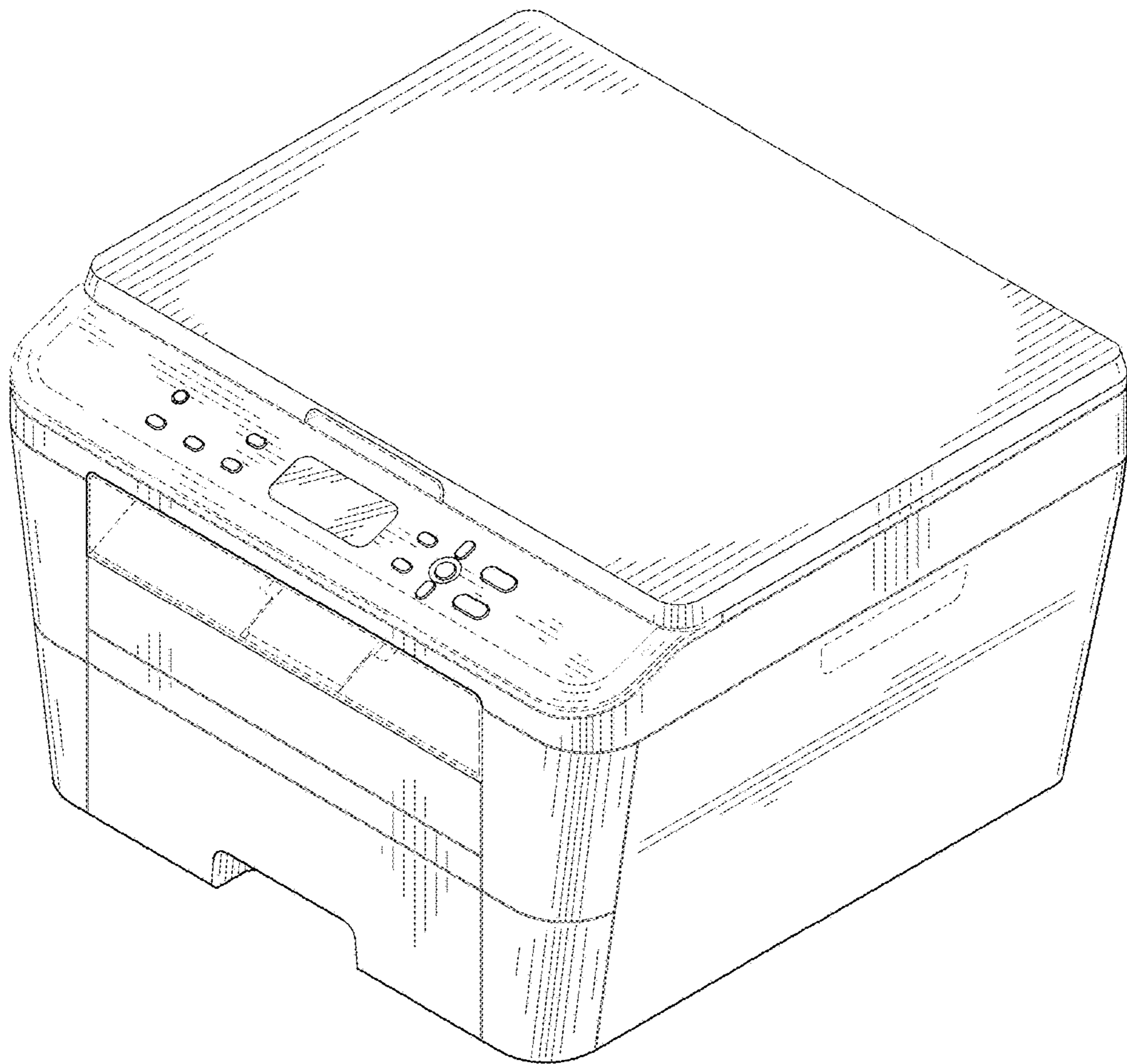


FIG. 1

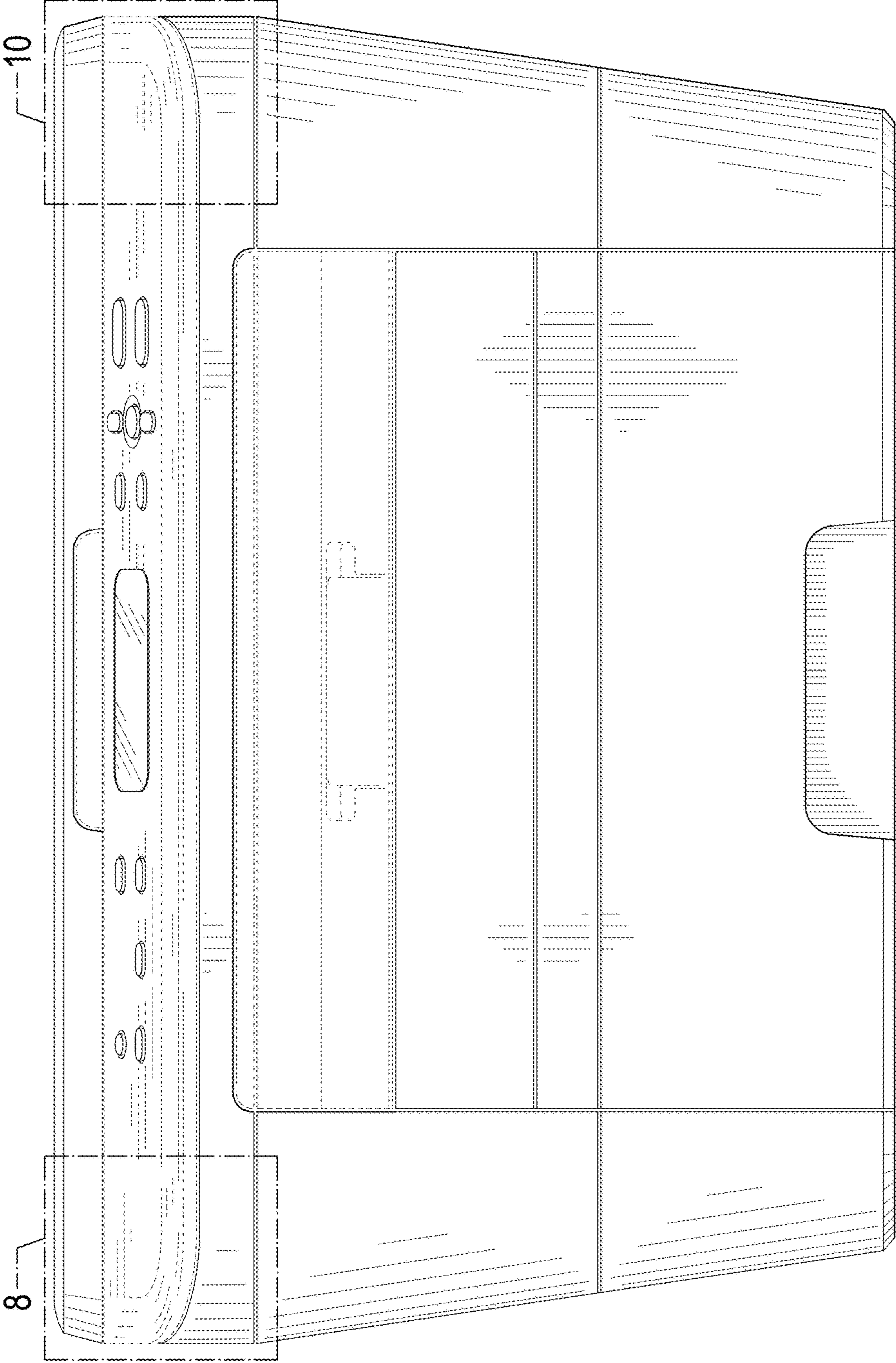


FIG. 2

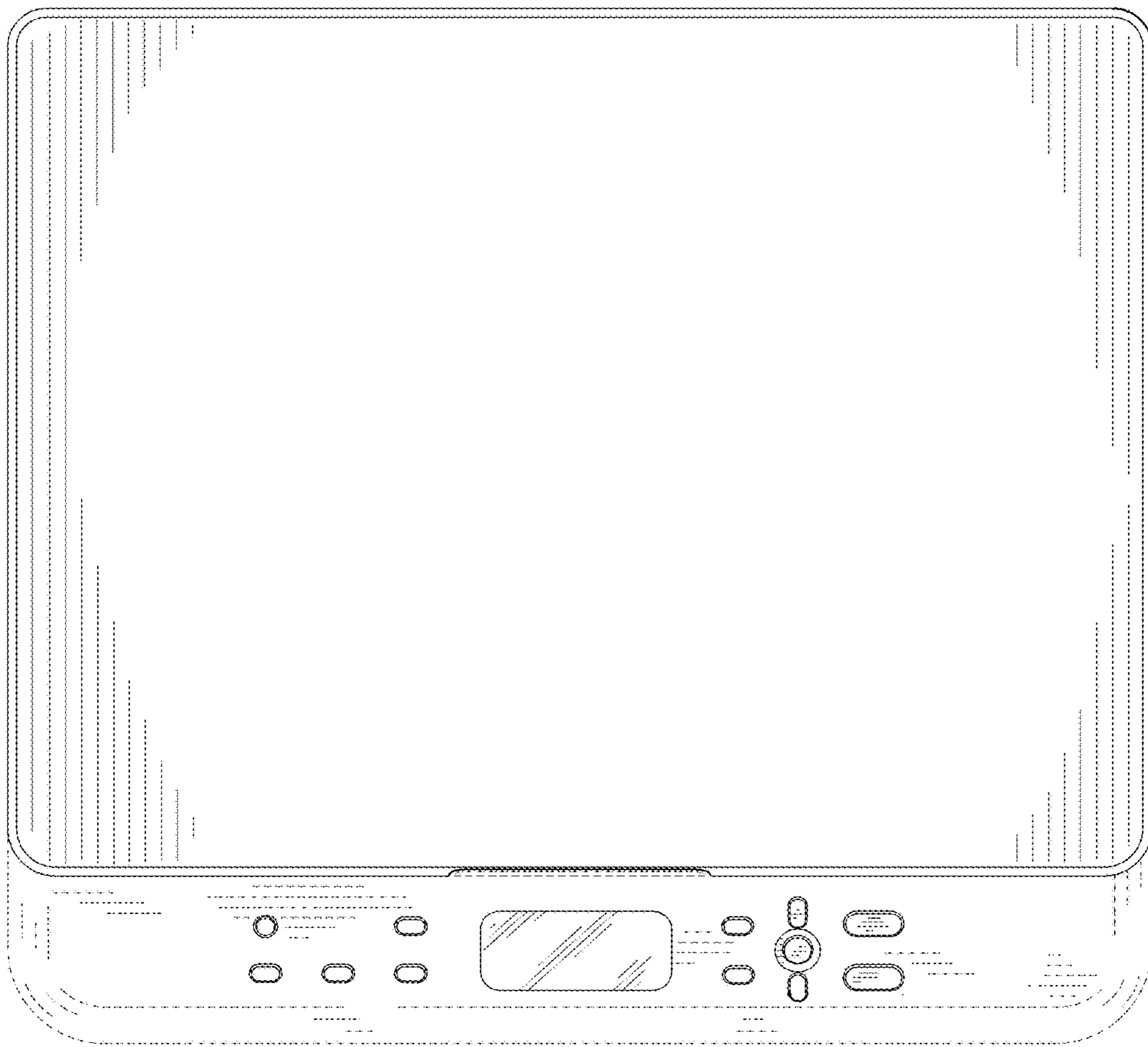


FIG. 3

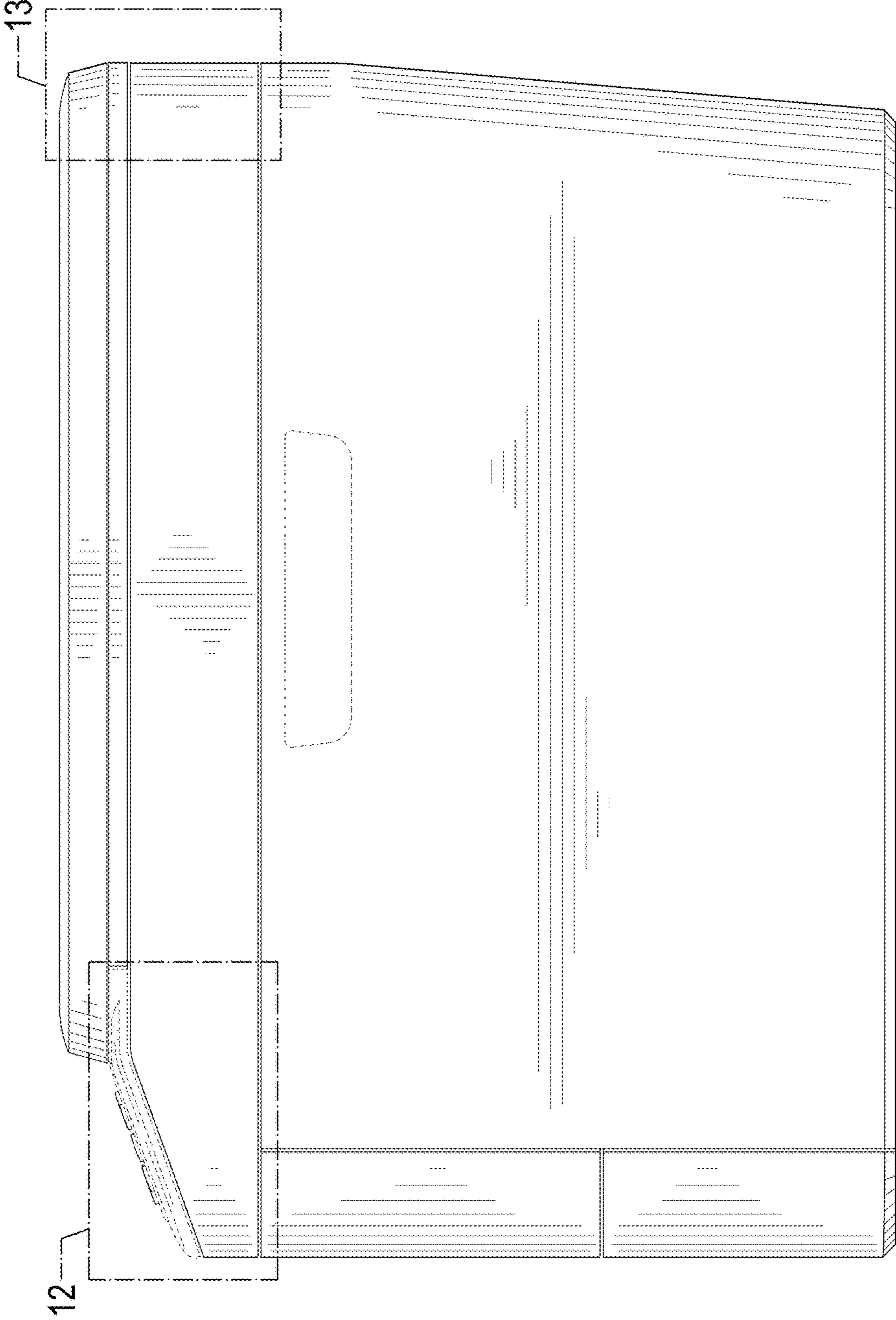


FIG. 4

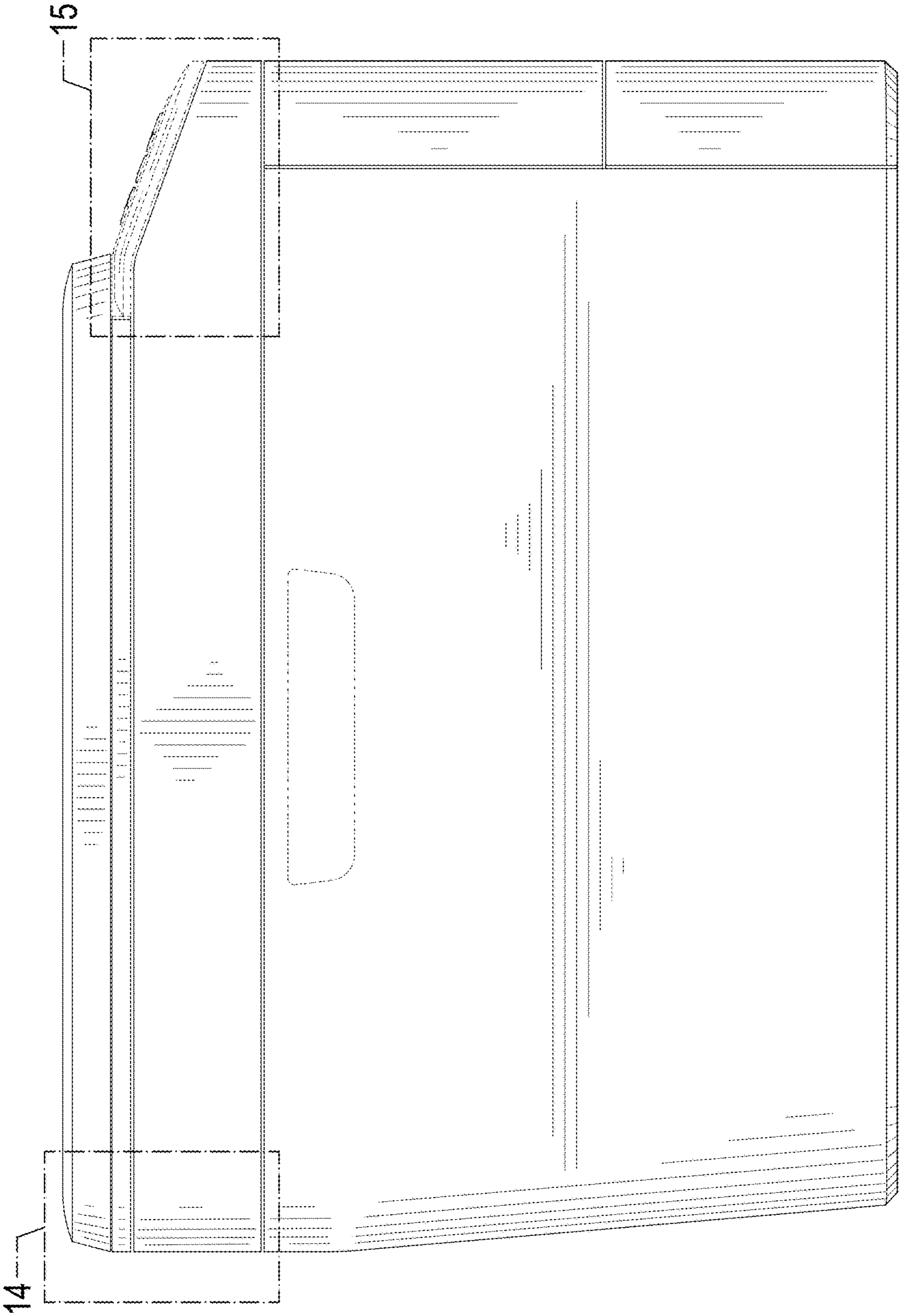


FIG. 5

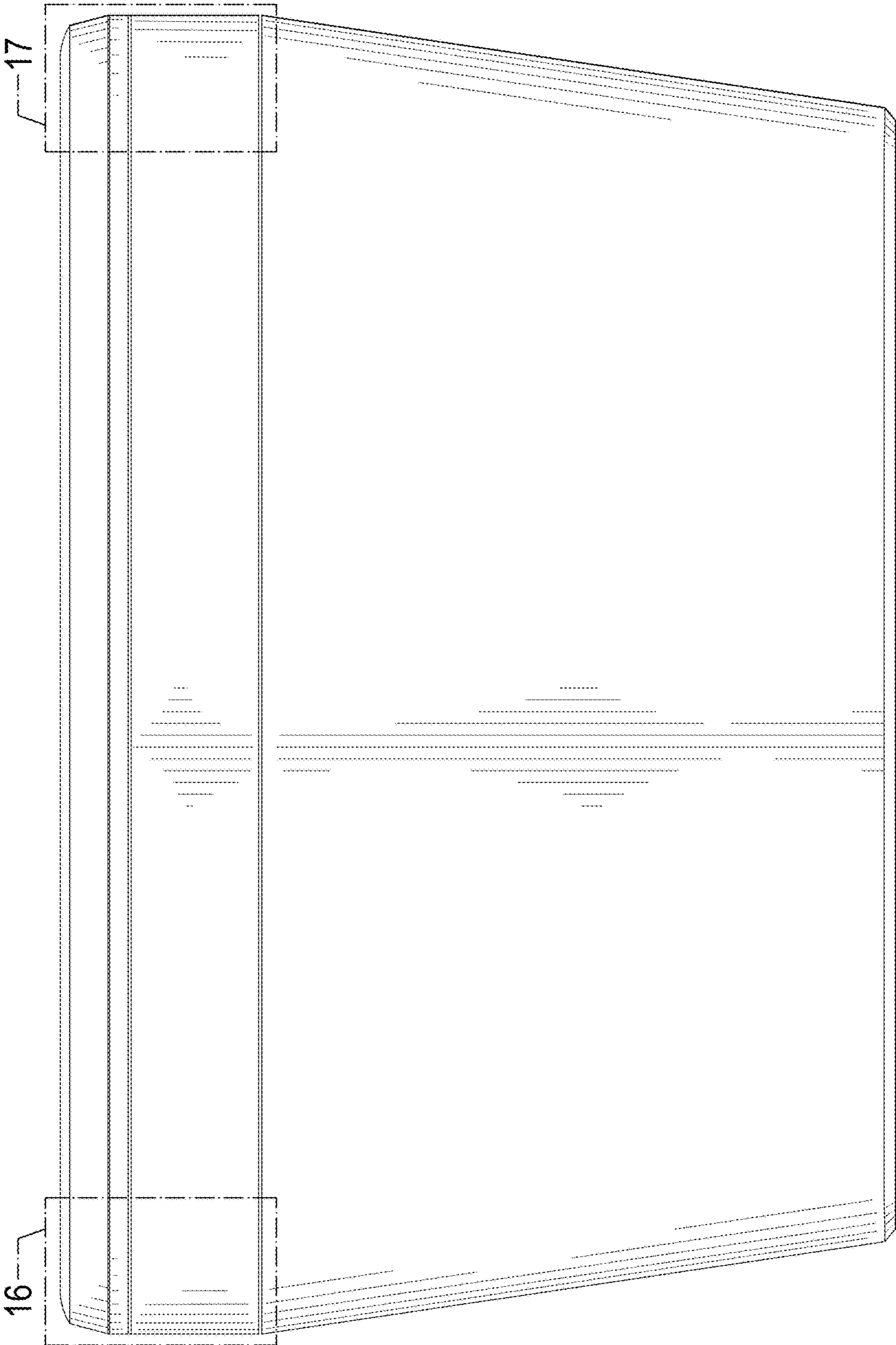


FIG. 6

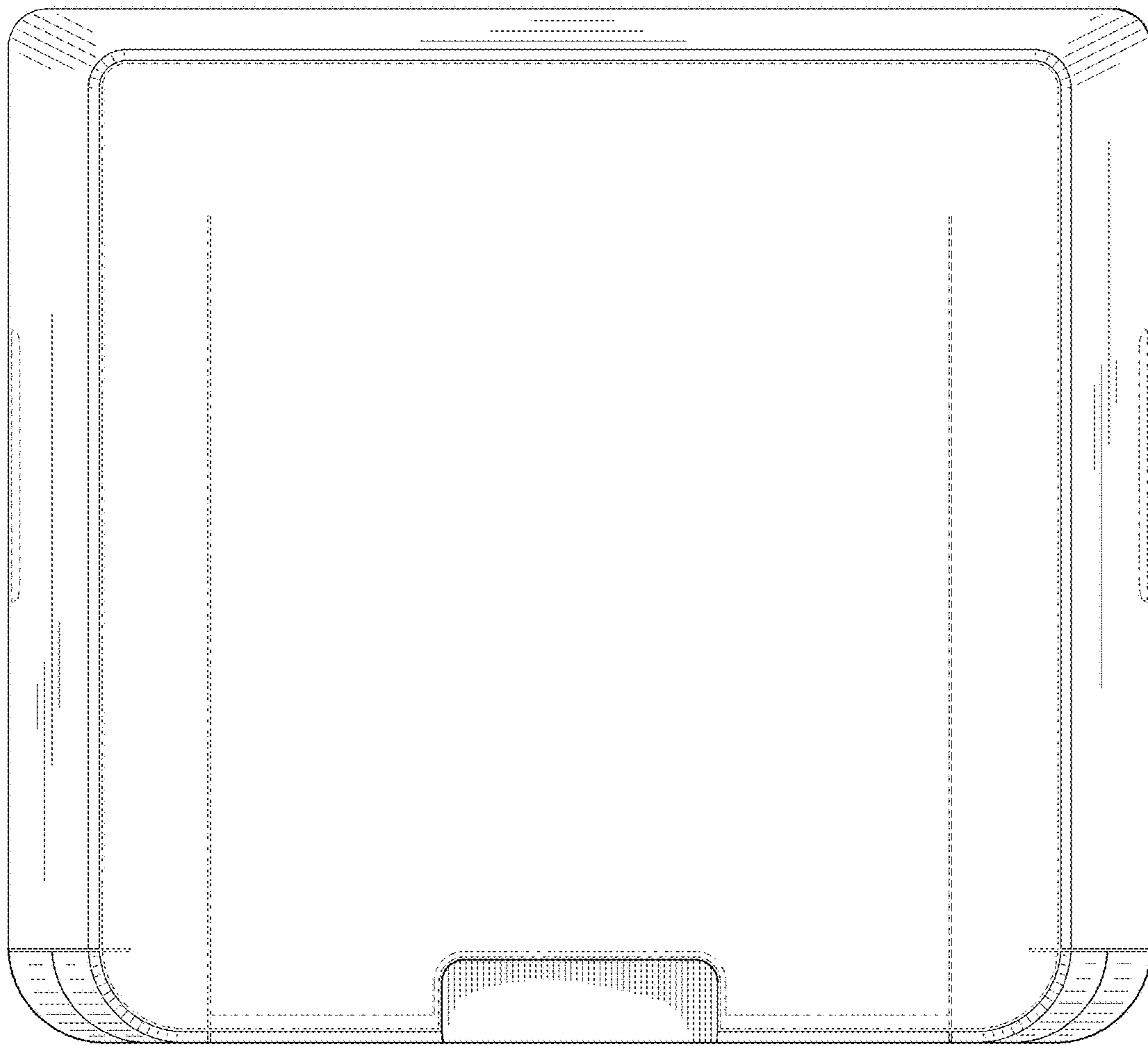


FIG. 7

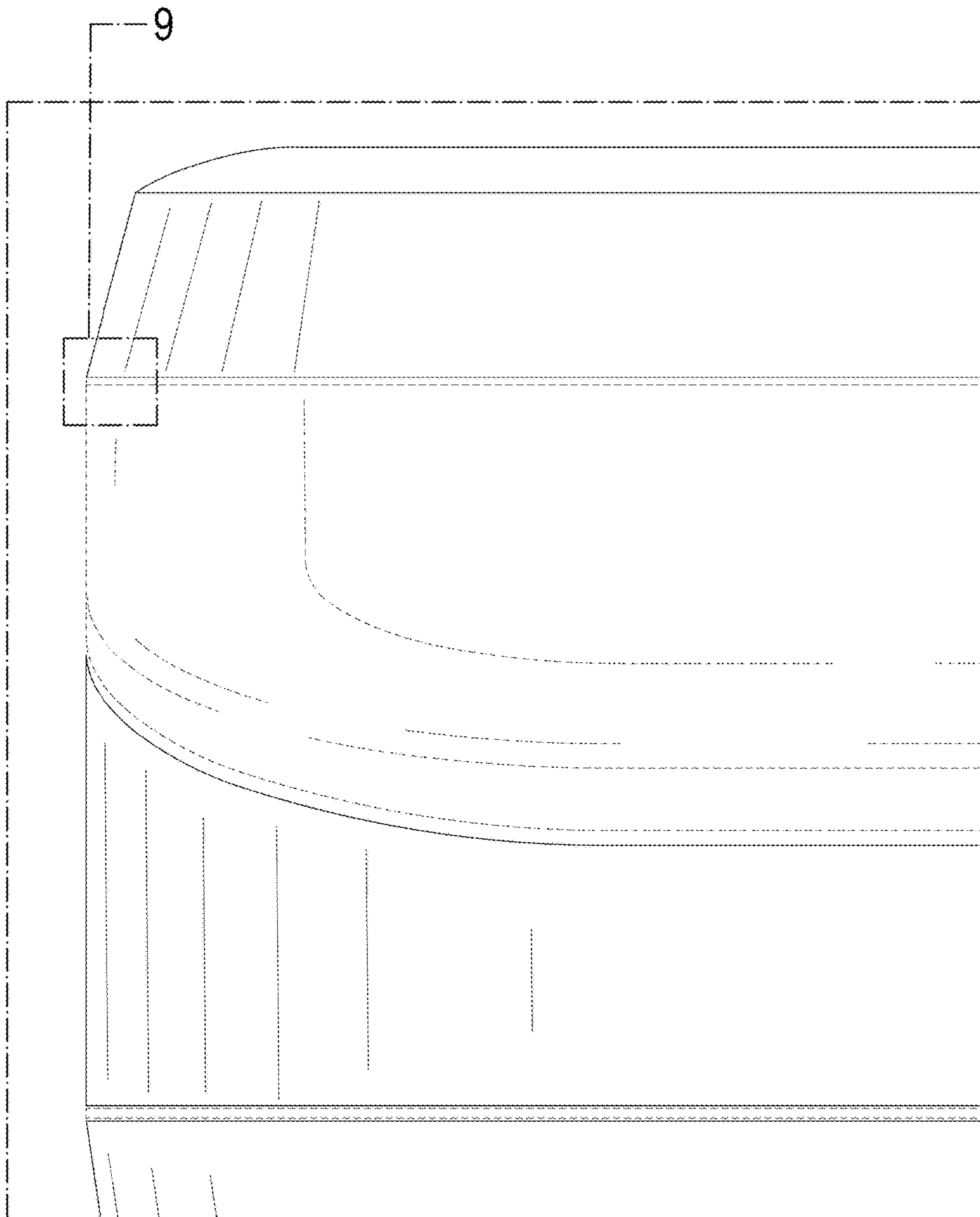


FIG. 8

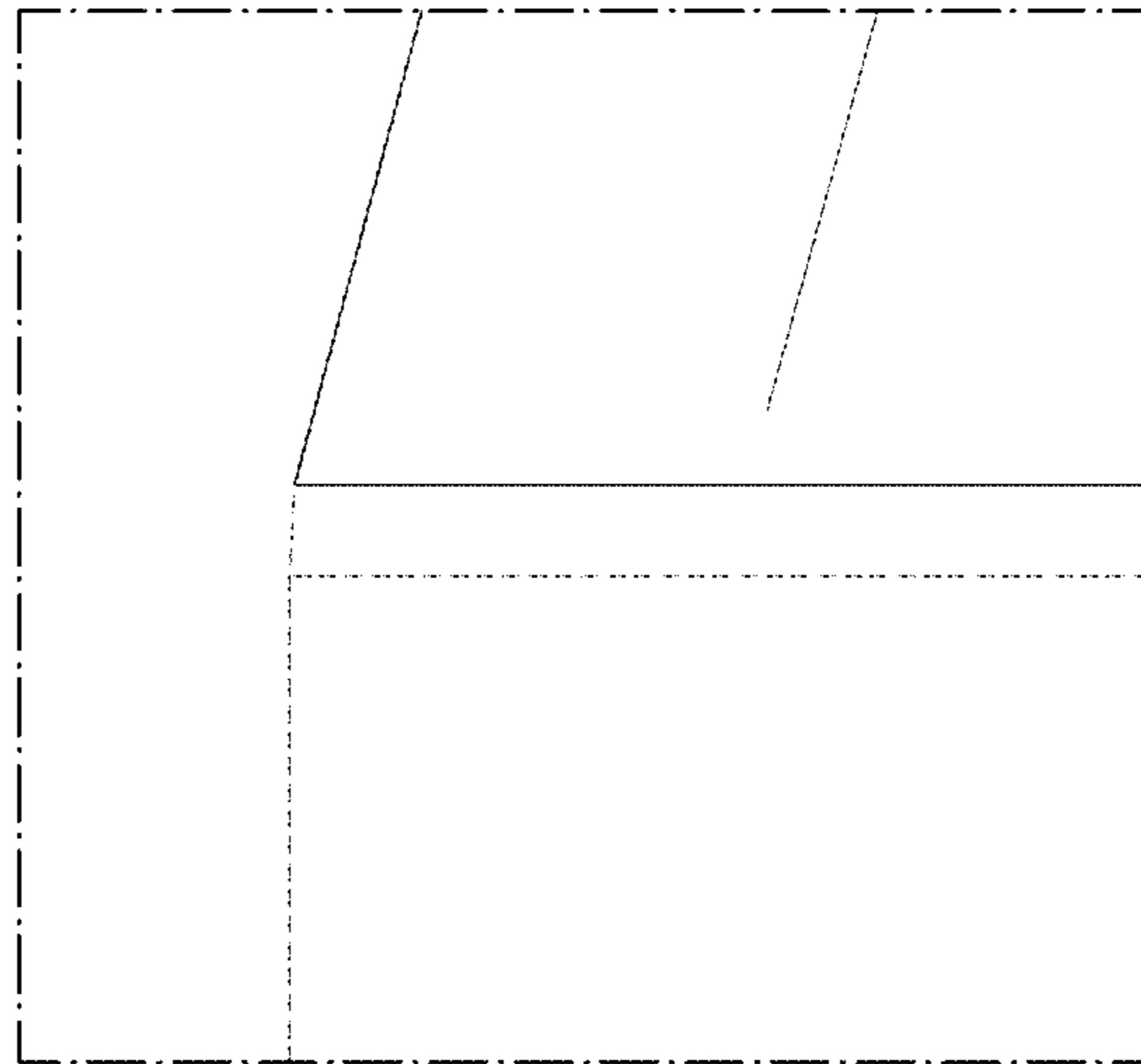


FIG. 9

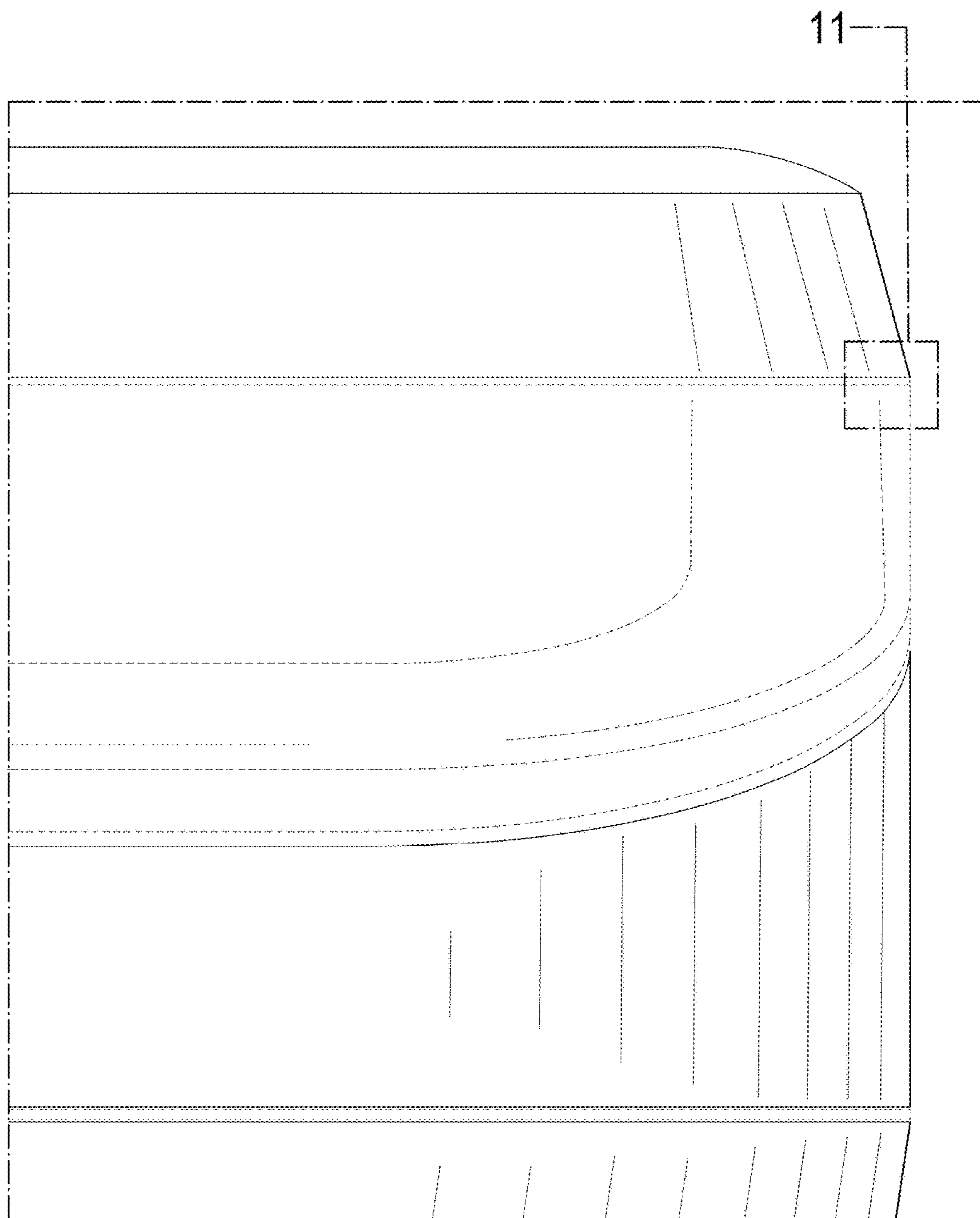


FIG. 10

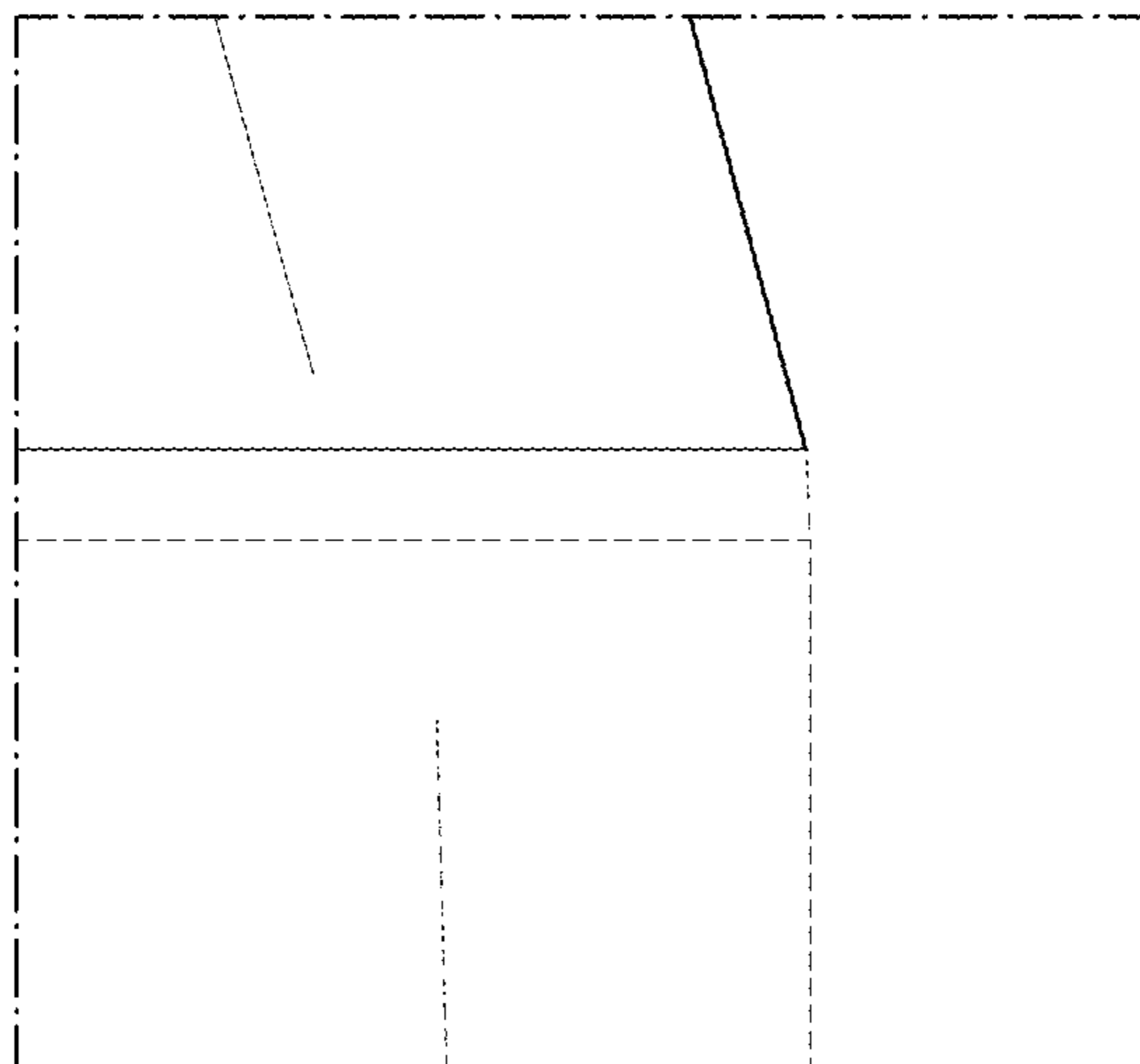


FIG. 11

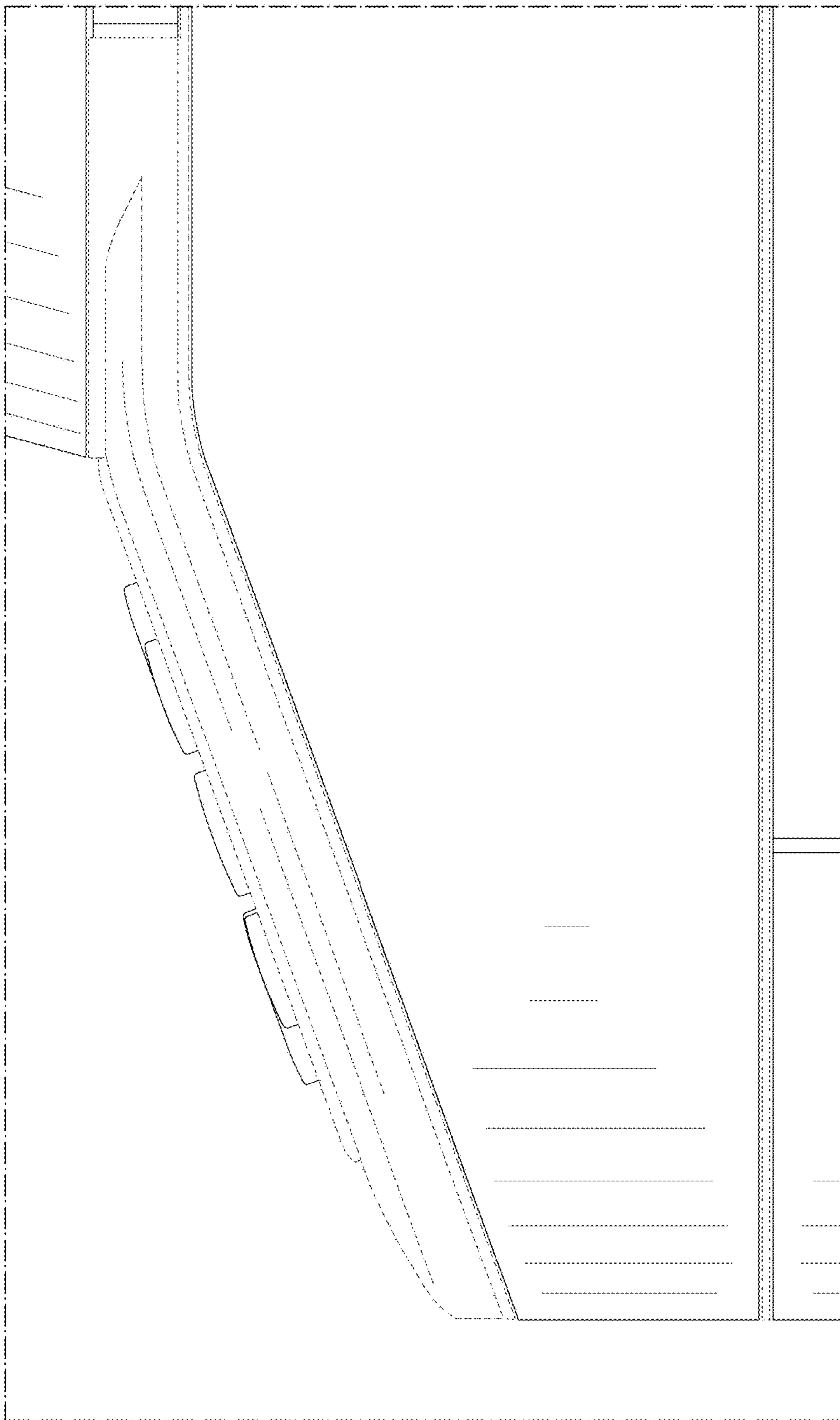


FIG. 12

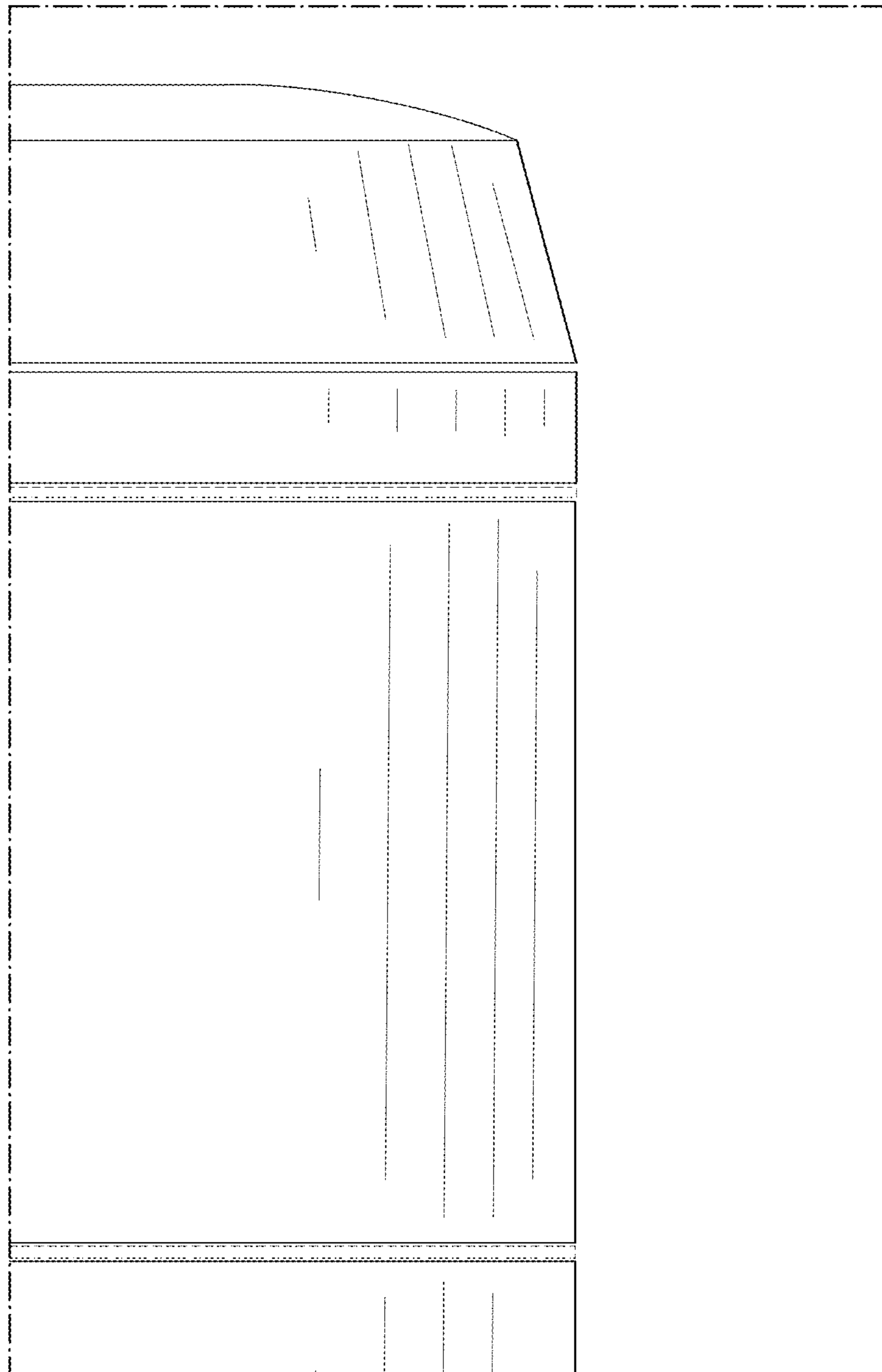


FIG. 13

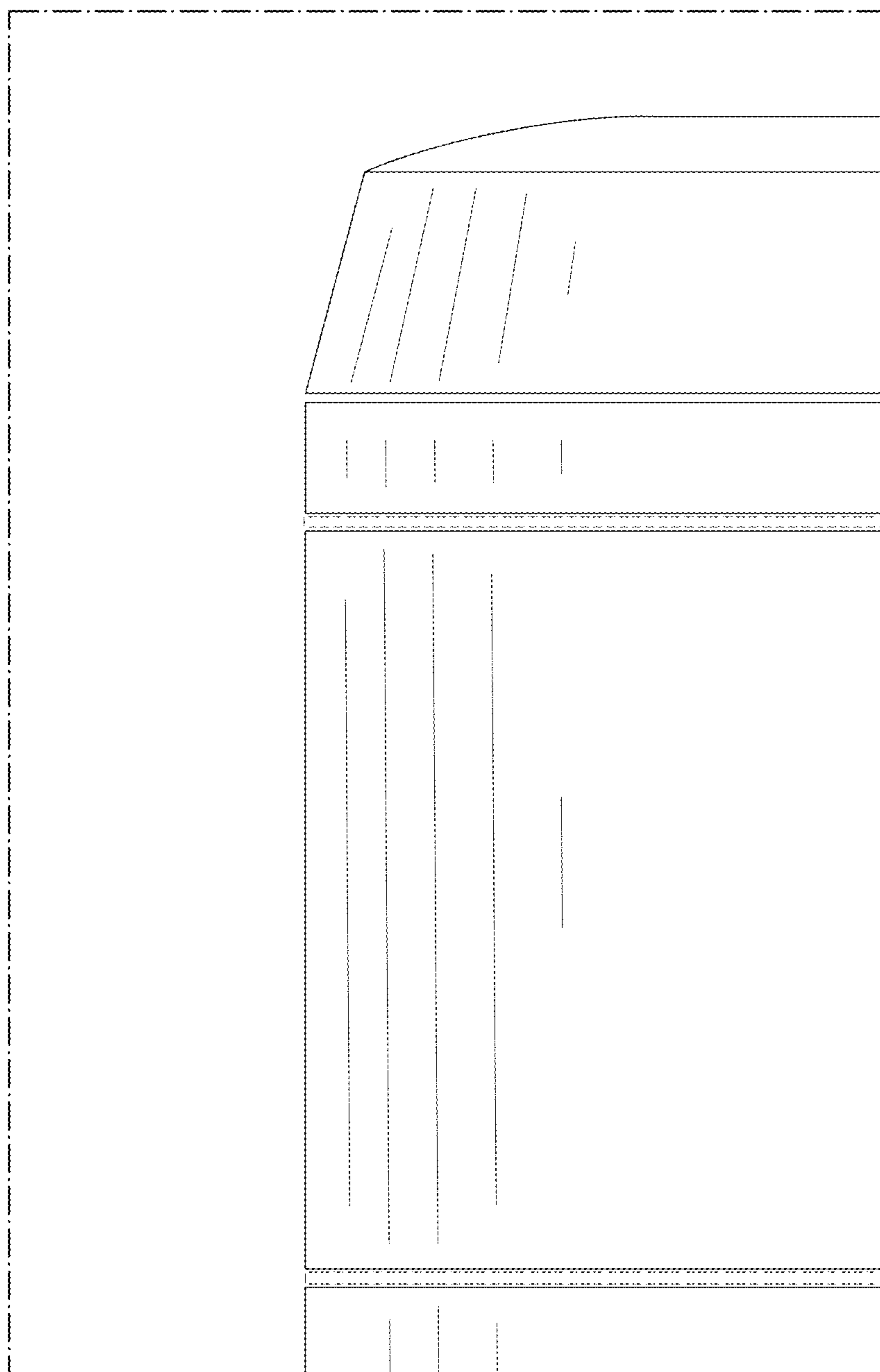


FIG. 14

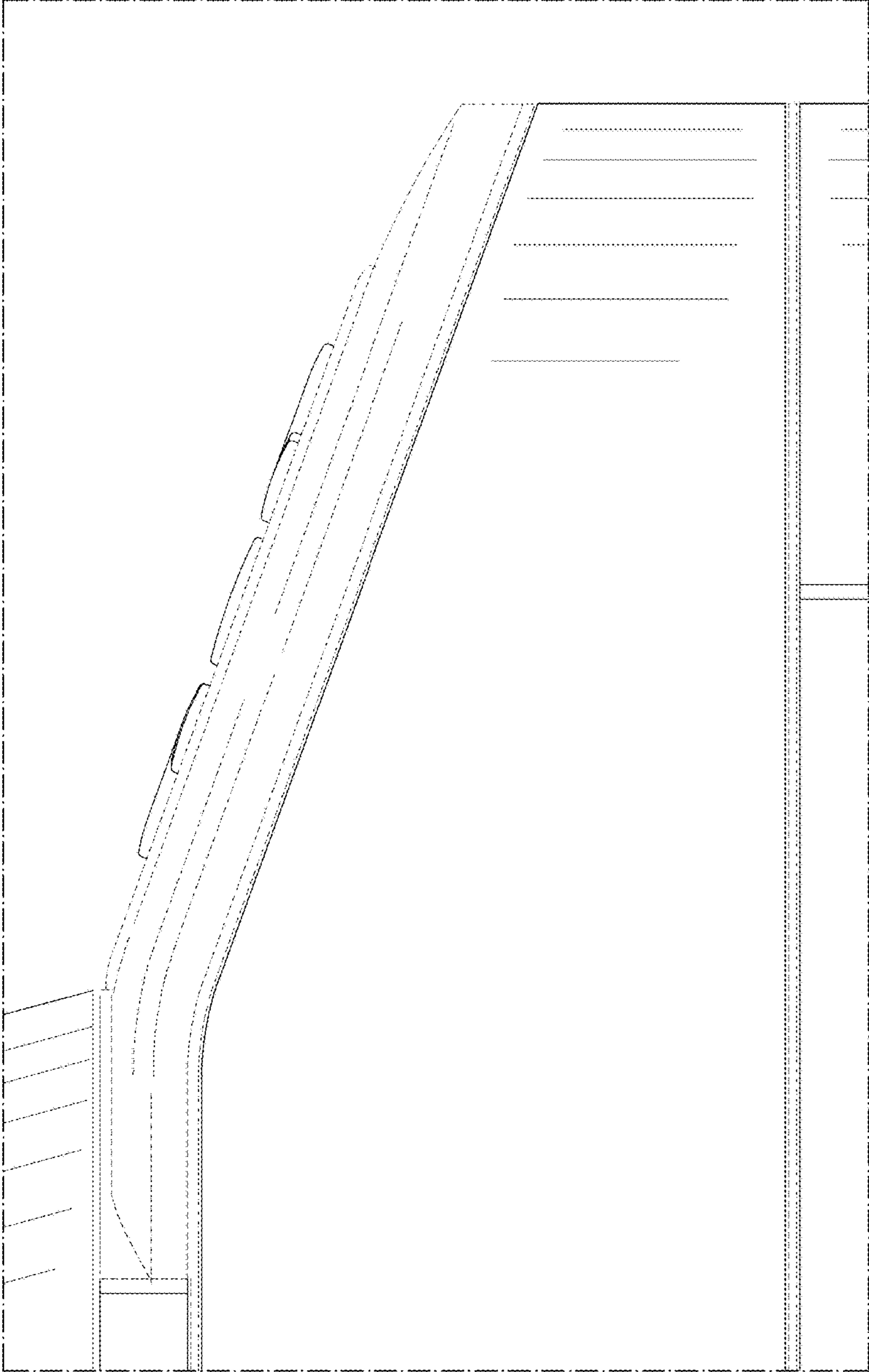


FIG. 15

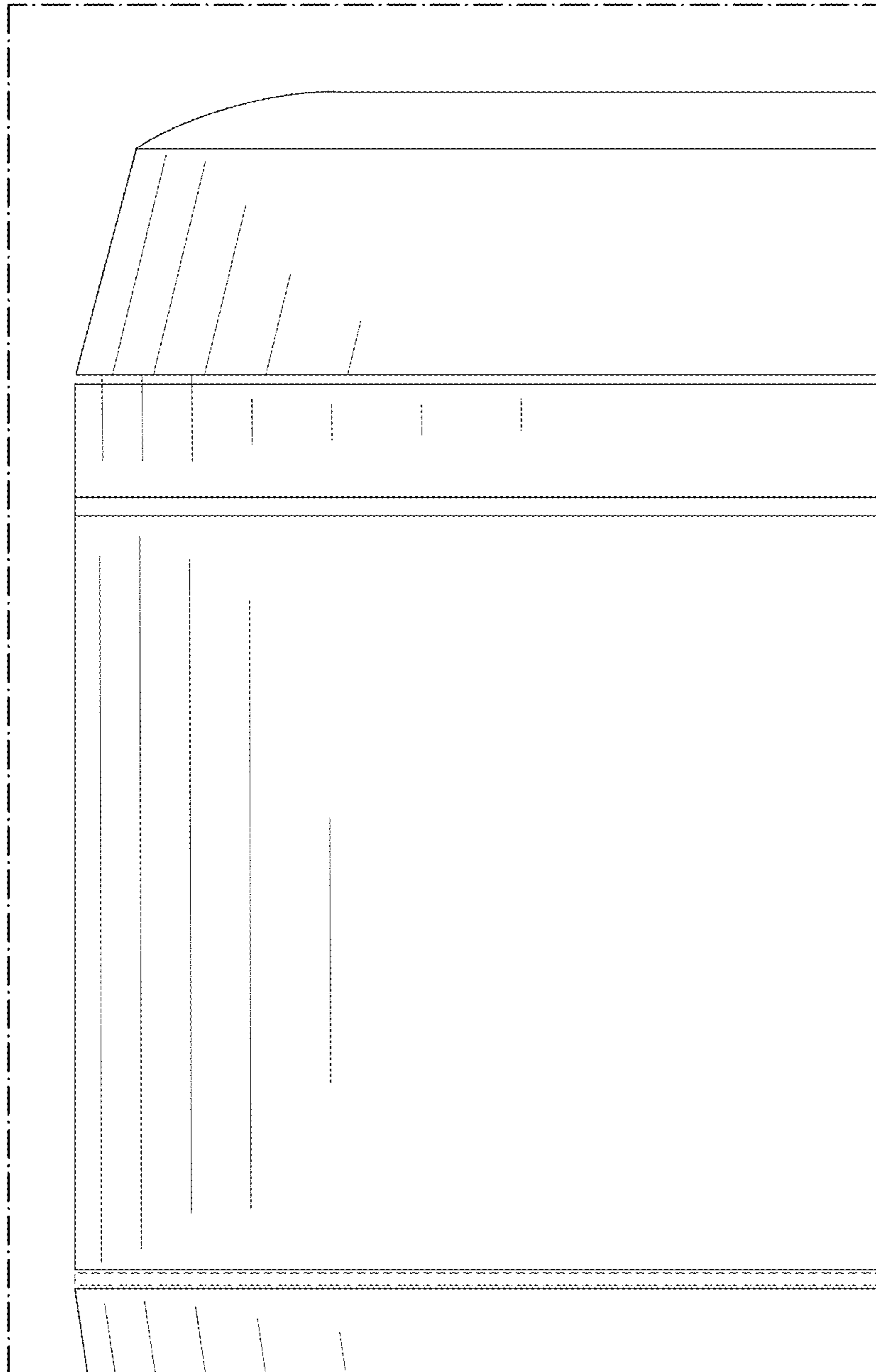


FIG. 16

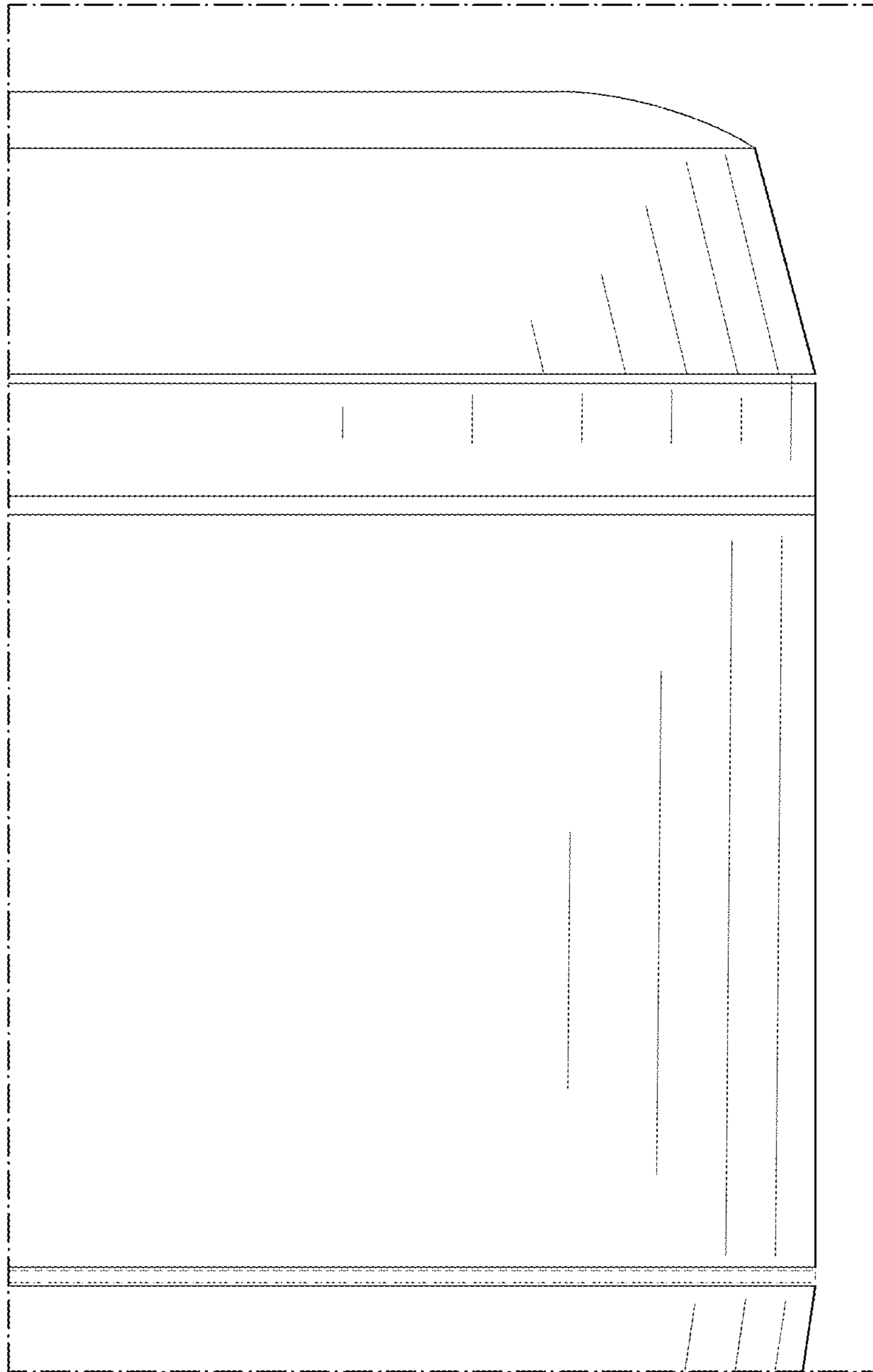


FIG. 17