



US00D792506S

(12) **United States Design Patent**
Ravitz

(10) **Patent No.:** **US D792,506 S**

(45) **Date of Patent:** **** Jul. 18, 2017**

(54) **VIOLIN SHOULDER REST**
(71) Applicant: **Cary Patterson Ravitz**, Lexington, KY (US)
(72) Inventor: **Cary Patterson Ravitz**, Lexington, KY (US)
(**) Term: **15 Years**
(21) Appl. No.: **29/568,552**

(22) Filed: **Jun. 20, 2016**
(51) **LOC (10) Cl.** **17-03**
(52) **U.S. Cl.**
USPC **D17/20**
(58) **Field of Classification Search**
USPC D17/14, 15, 18-20, 99
CPC .. G10D 3/06; G10D 3/10; G10D 3/12; G10D 3/14; G10D 3/18; G10D 7/02; G10D 7/06; G10D 7/10; G10D 11/00; G10F 1/02; G10F 1/16; G10C 1/04
See application file for complete search history.

(56) **References Cited**
U.S. PATENT DOCUMENTS
D247,642 S * 3/1978 Watson D17/20
4,333,378 A 6/1982 Hrdlicka
4,386,548 A 6/1983 Wolf
D334,019 S * 3/1993 Kun 84/280
D352,053 S 11/1994 Murray
5,567,893 A * 10/1996 Kun G10D 3/18
84/280
D385,292 S 10/1997 Kun
D390,252 S * 2/1998 Burward-Hoy 84/278
D406,269 S 3/1999 Mach
6,031,163 A * 2/2000 Cullum G10D 3/18
84/278

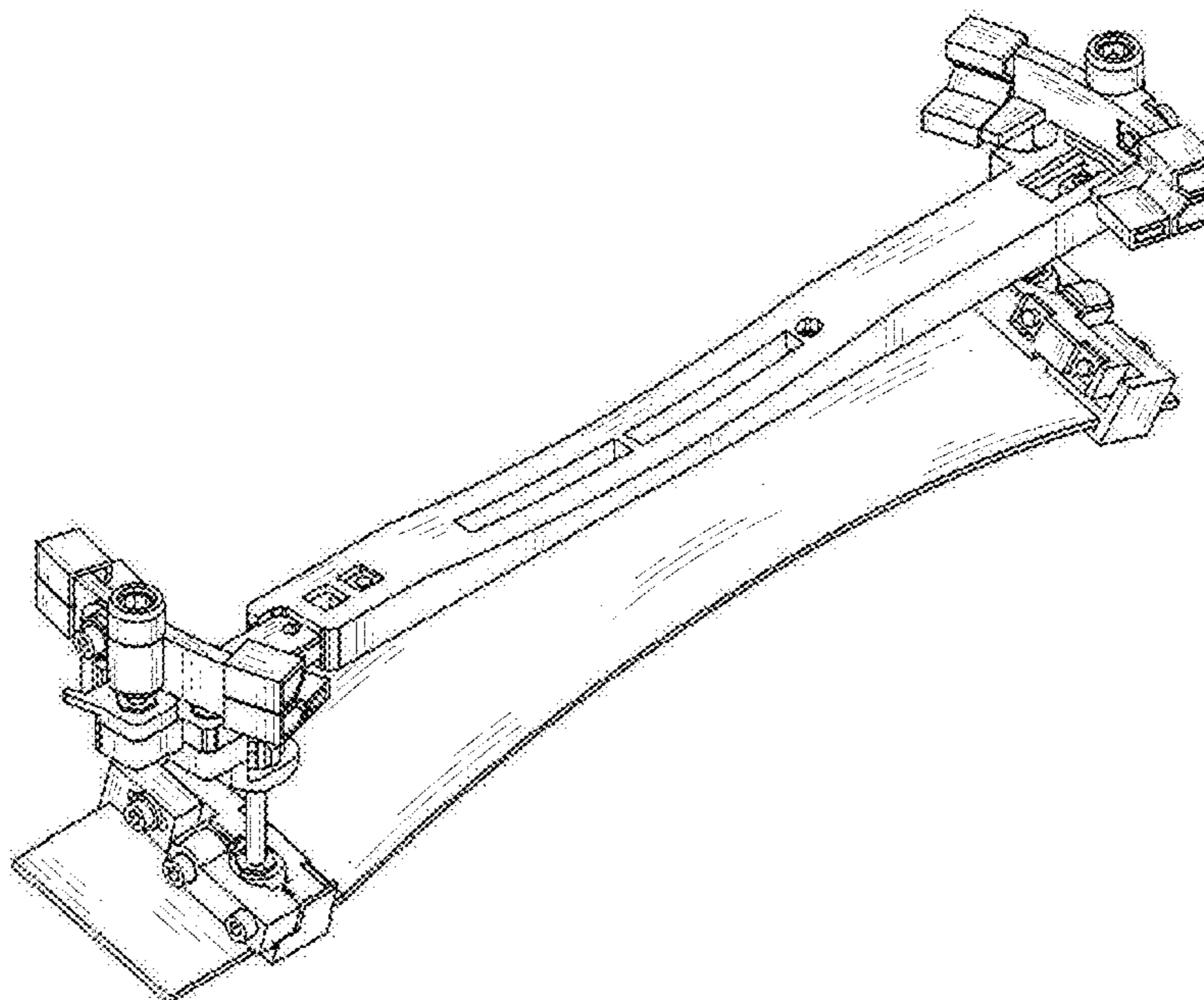
6,670,533 B1 * 12/2003 Yeh G10D 3/18
84/278
6,891,093 B2 * 5/2005 Huang G10D 3/18
84/278
D561,236 S 2/2008 Muir et al.
D636,014 S * 4/2011 Cheng D17/20
8,492,628 B2 7/2013 Ruan
8,492,629 B2 7/2013 Johnson
D688,732 S * 8/2013 Johnson D17/20
8,704,065 B2 4/2014 Korfker
D717,366 S 11/2014 Korfker

* cited by examiner
Primary Examiner — John Windmuller
Assistant Examiner — Benjamin Weeks
(74) *Attorney, Agent, or Firm* — Michael Coblenz

(57) **CLAIM**
The ornamental design for a violin shoulder rest, as shown and described.

DESCRIPTION
FIG. 1 is an top perspective view of a violin shoulder rest; FIG. 2 is a bottom perspective view thereof; FIG. 3 is a bottom perspective view of the violin shoulder rest mounted on a violin; FIG. 4 is a left side view thereof, with the violin shoulder rest mounted on a violin; FIG. 5 is a top plan view thereof; FIG. 6 is a bottom plan view thereof; FIG. 7 is a front view thereof; FIG. 8 is a rear view thereof; FIG. 9 is a left side view thereof; and, FIG. 10 is a right side view thereof.
The broken lines depict environmental subject matter, are for illustration only, and form no part of the claimed design.

1 Claim, 9 Drawing Sheets



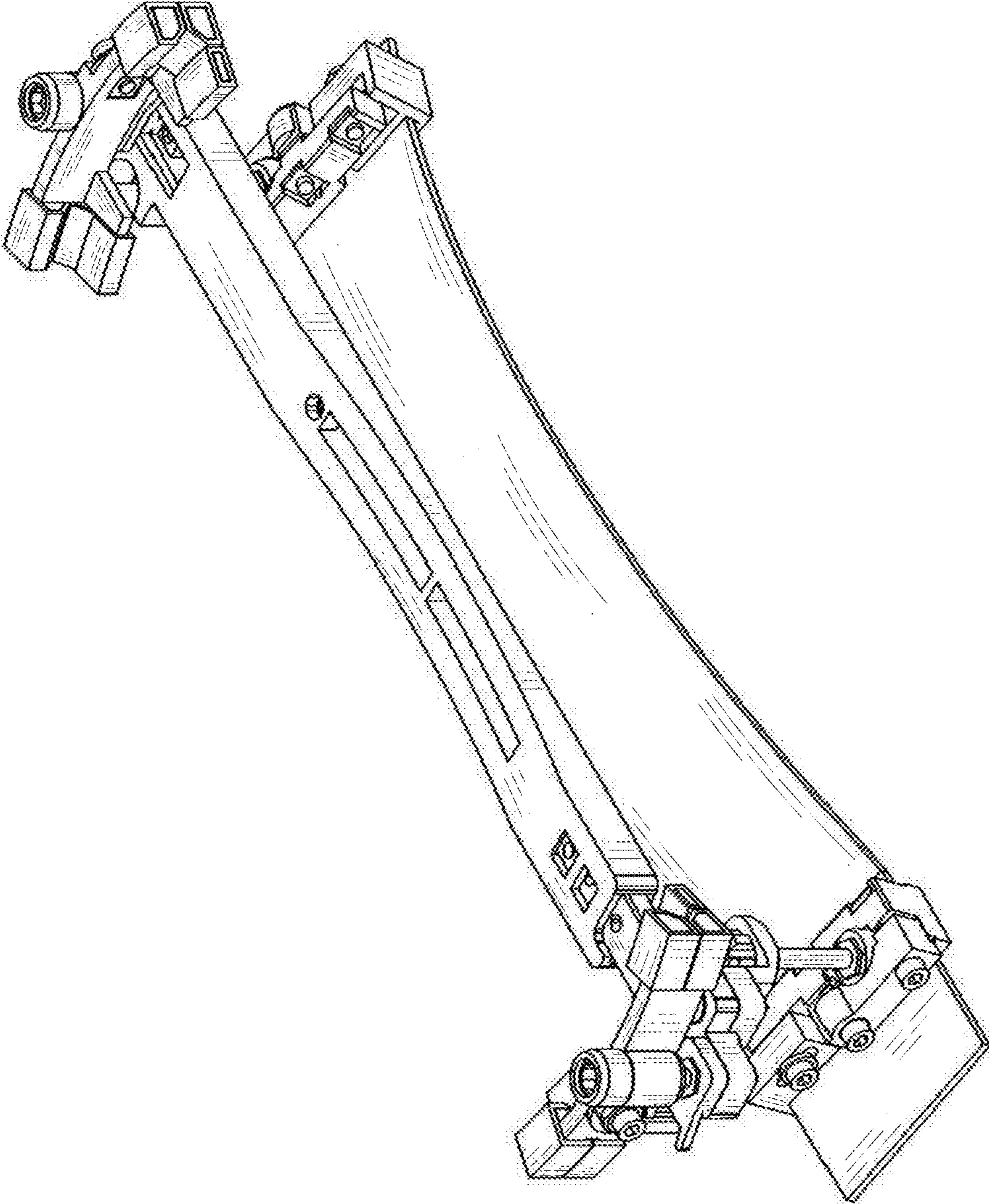


FIG. 1

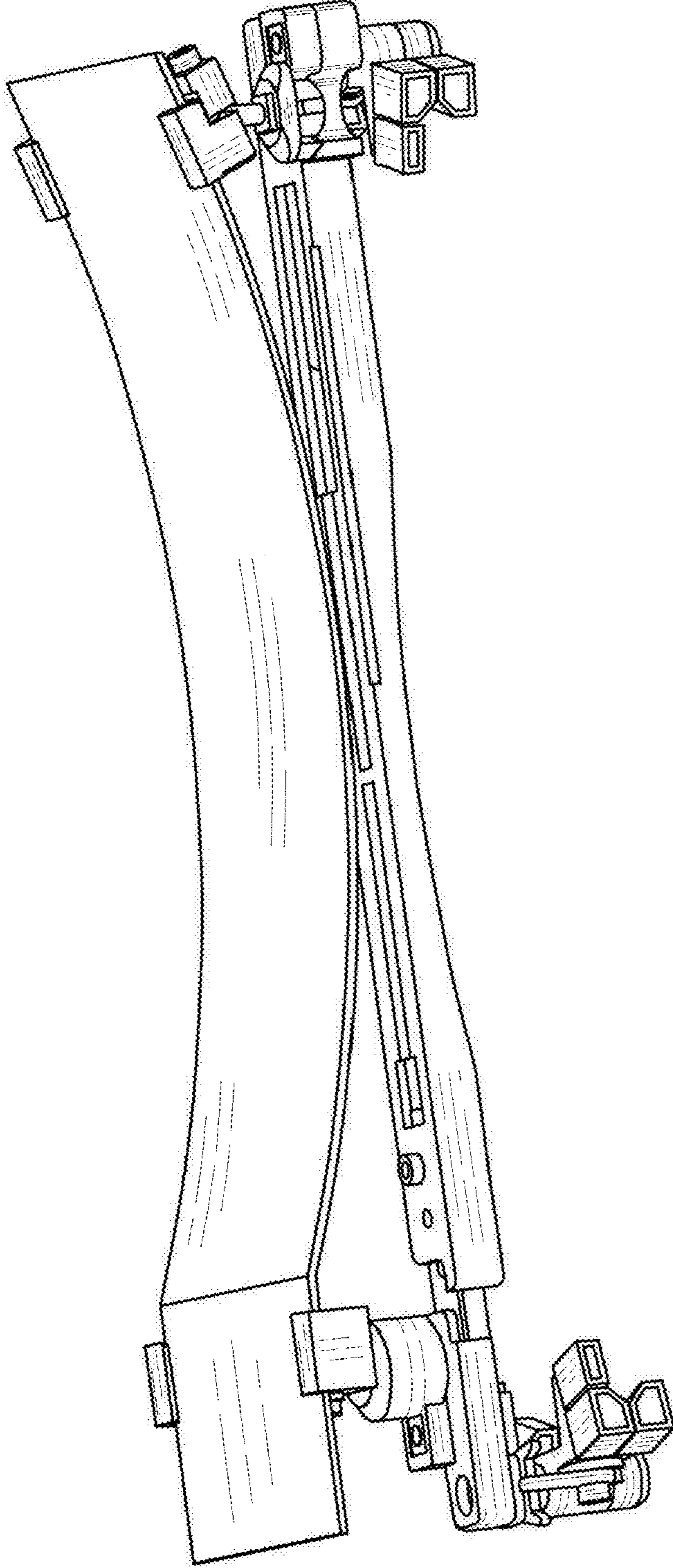


FIG. 2

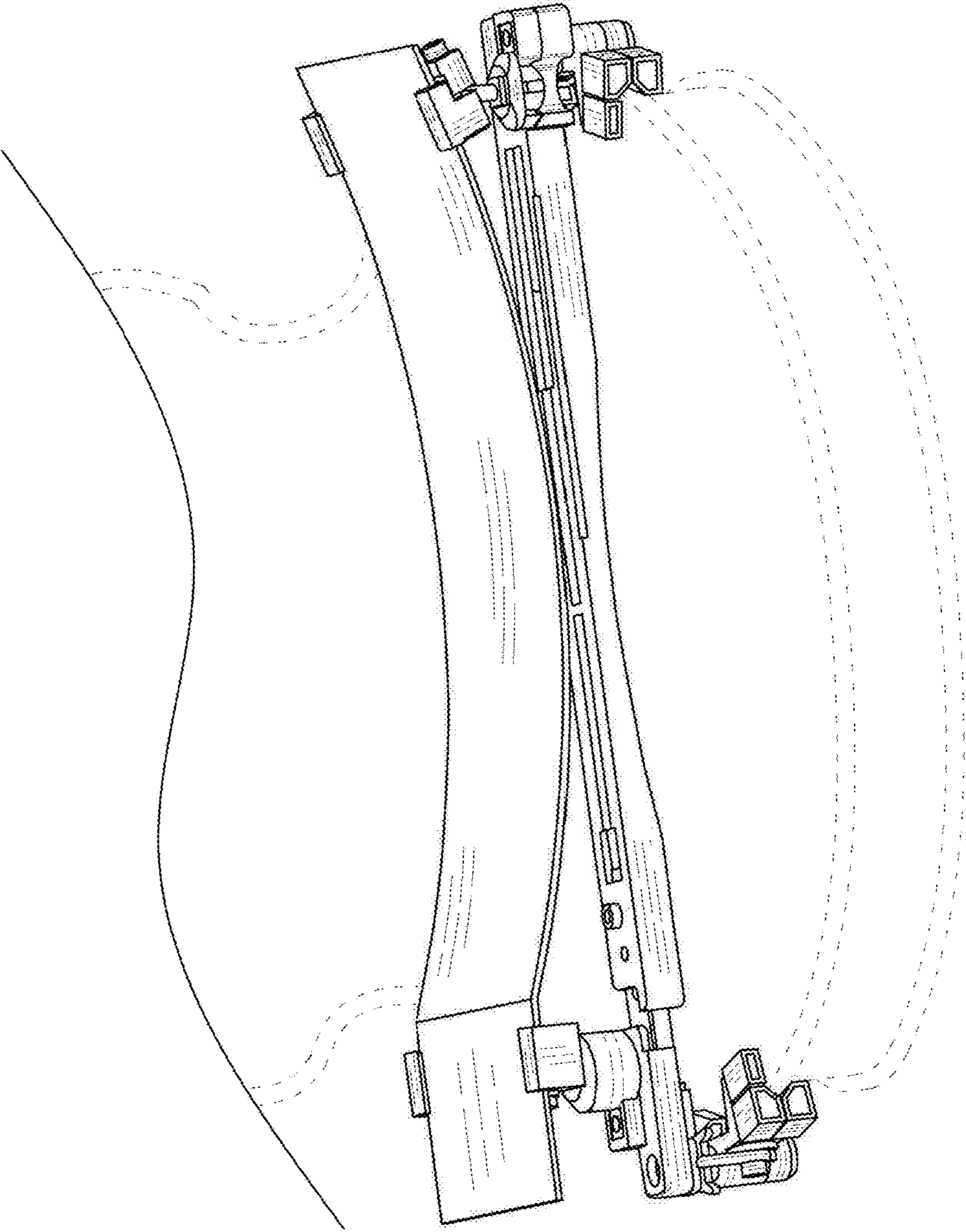


FIG. 3

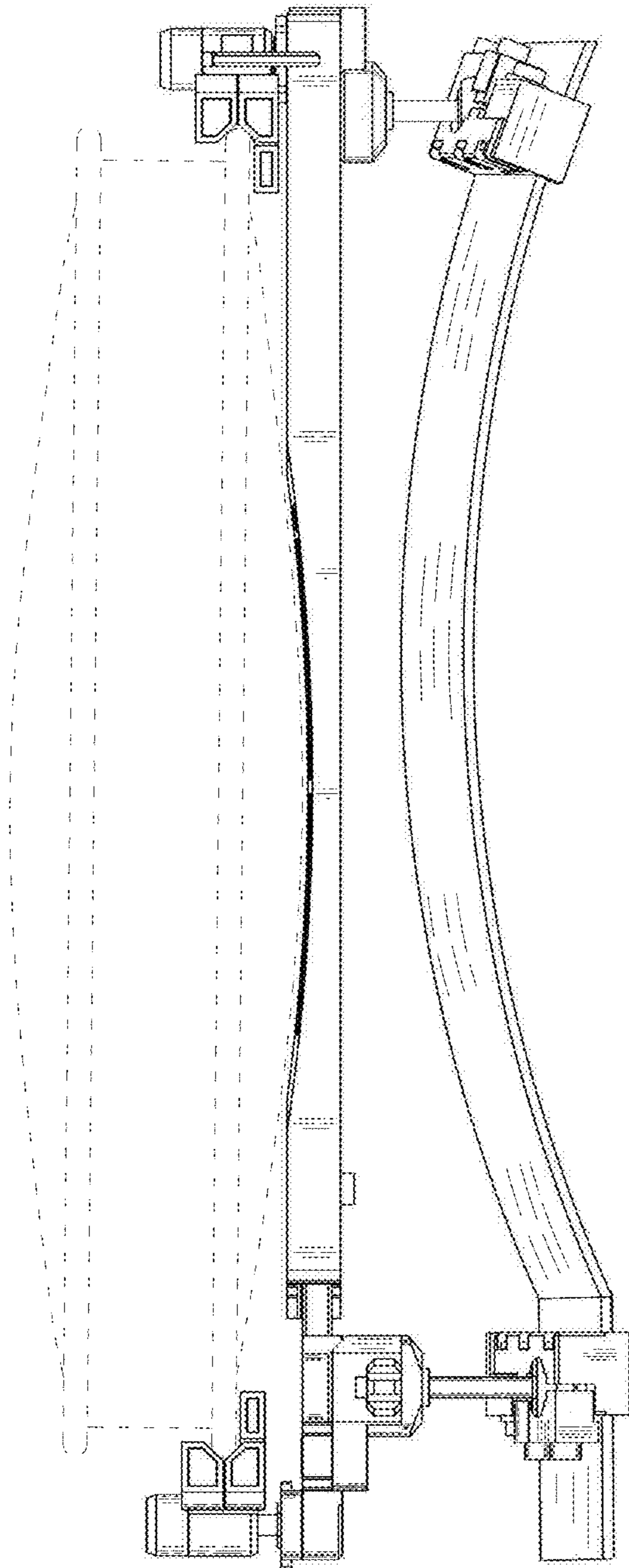


FIG. 4

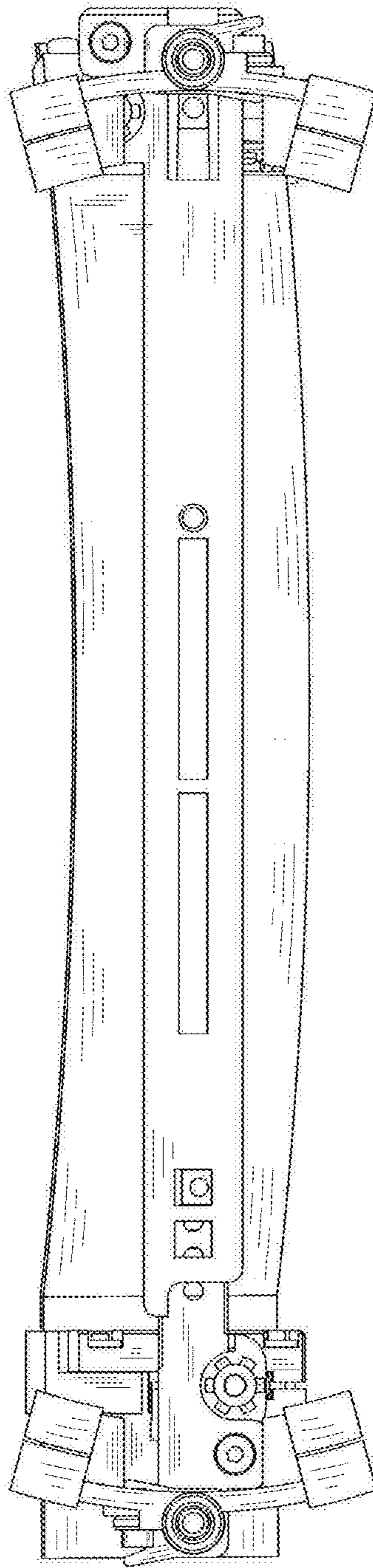


FIG. 5

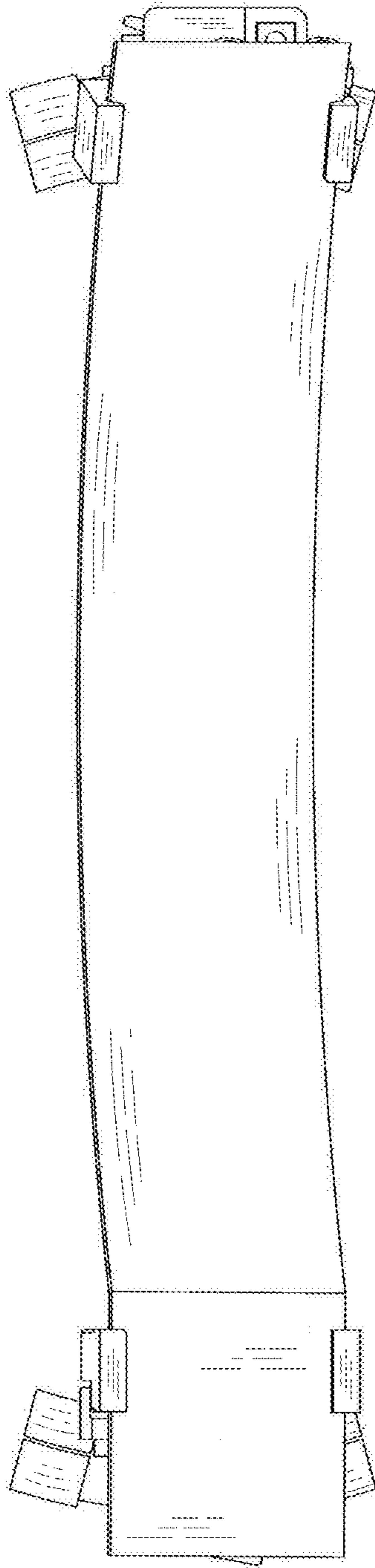


FIG. 6

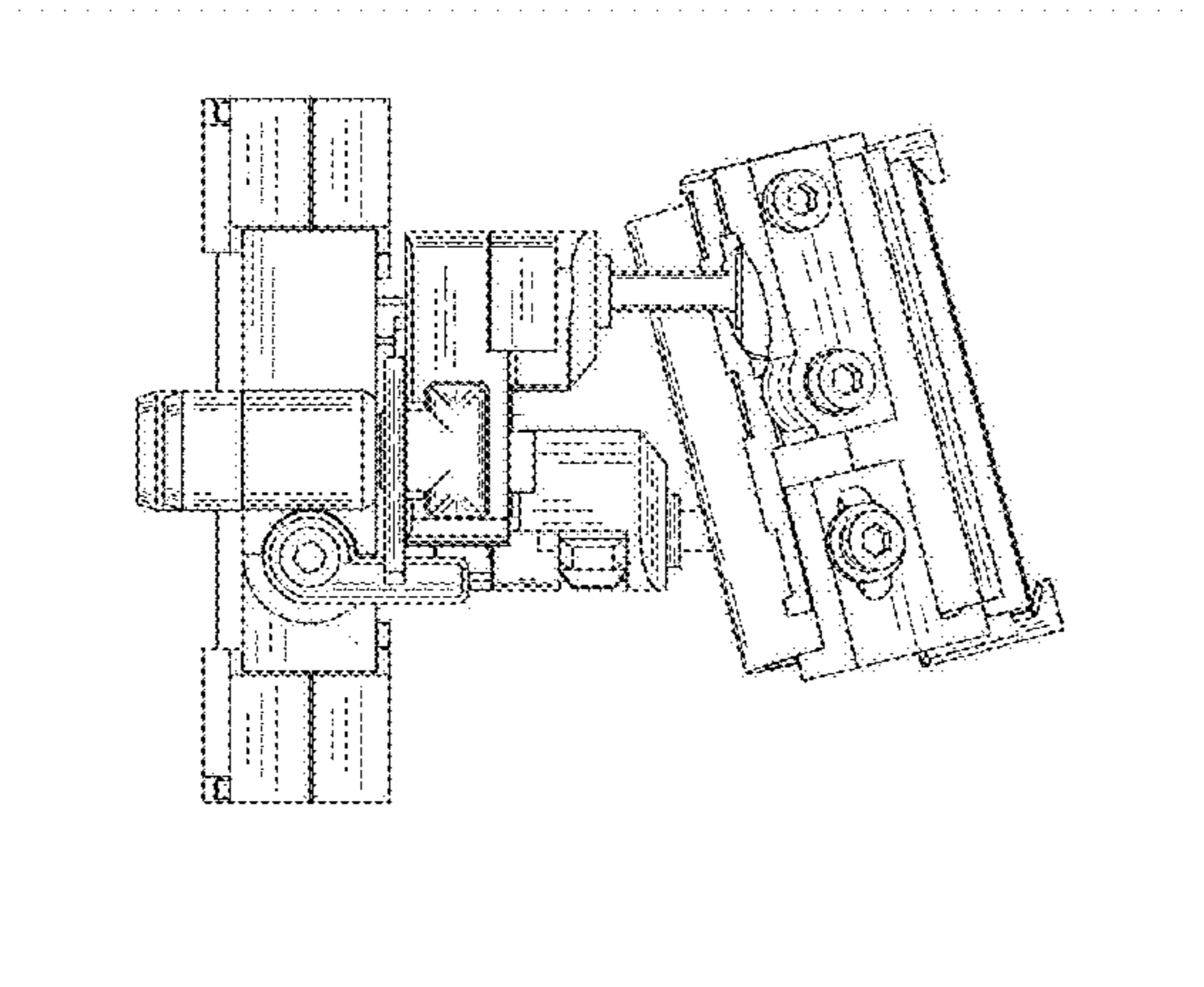


FIG. 7

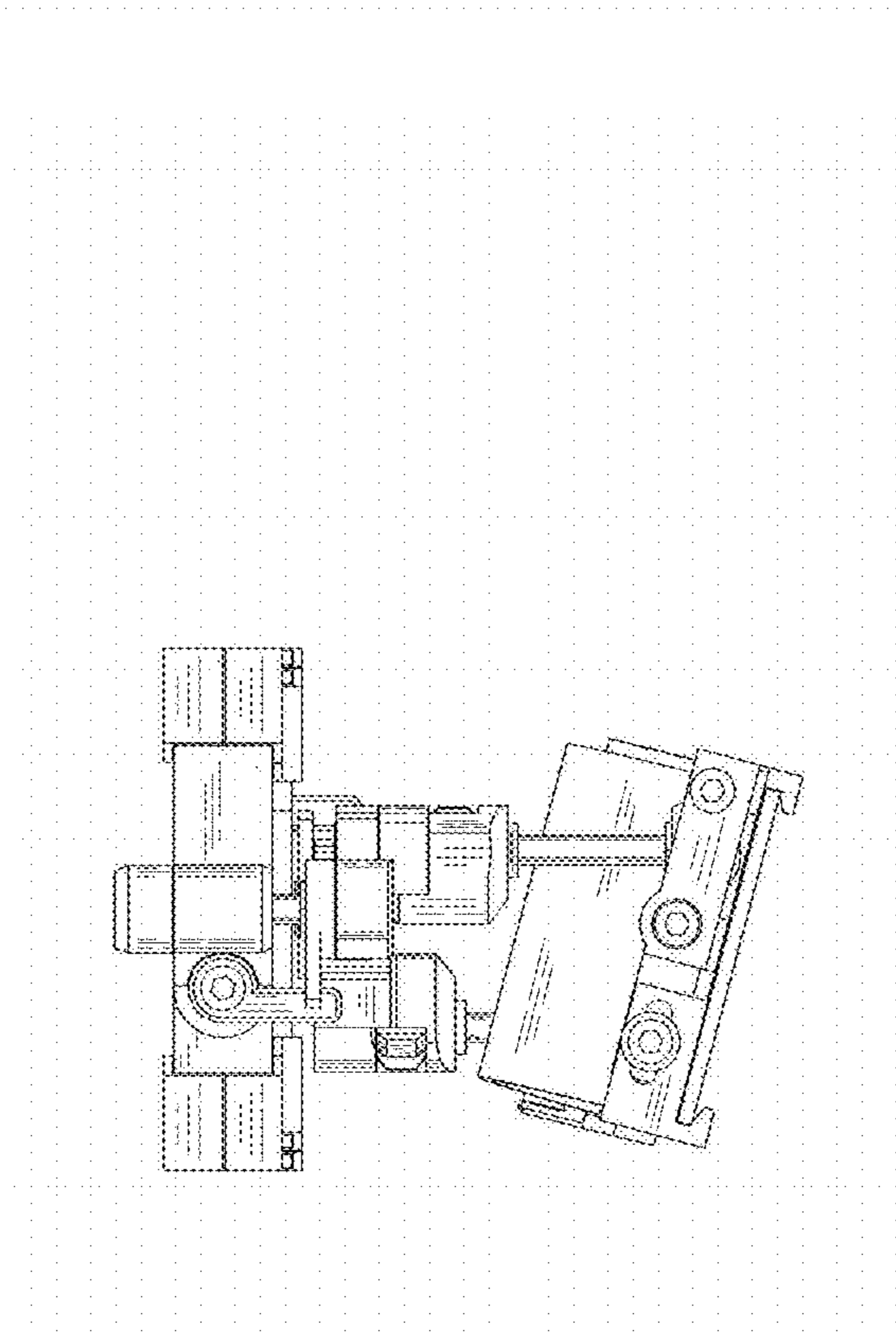


FIG. 8

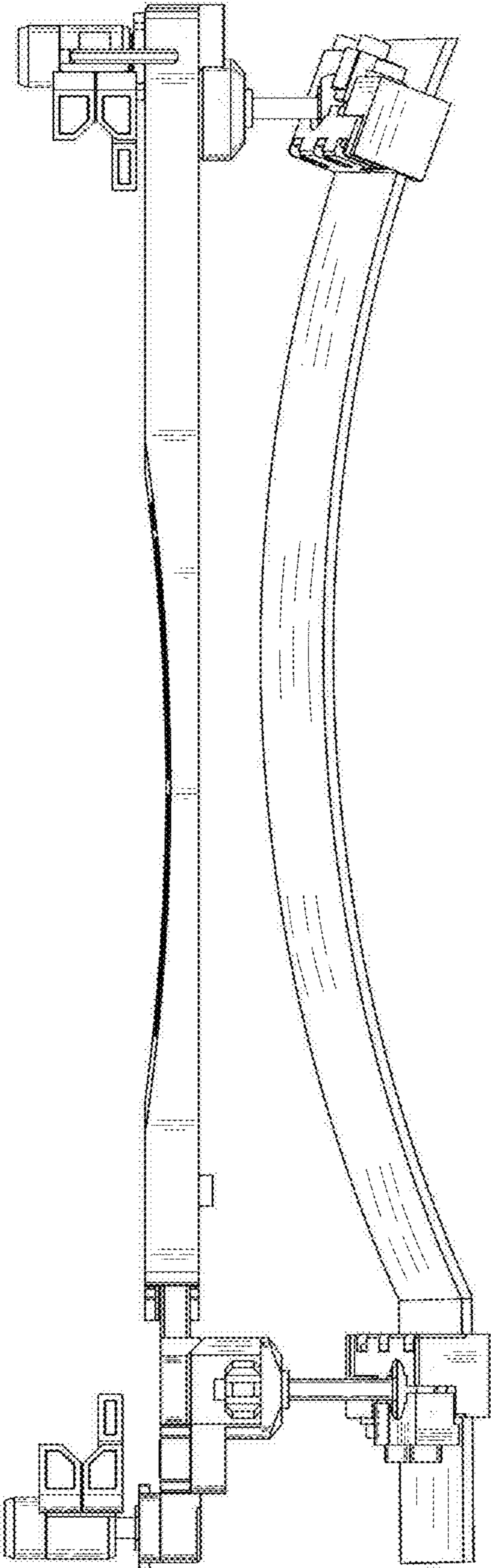


FIG. 9

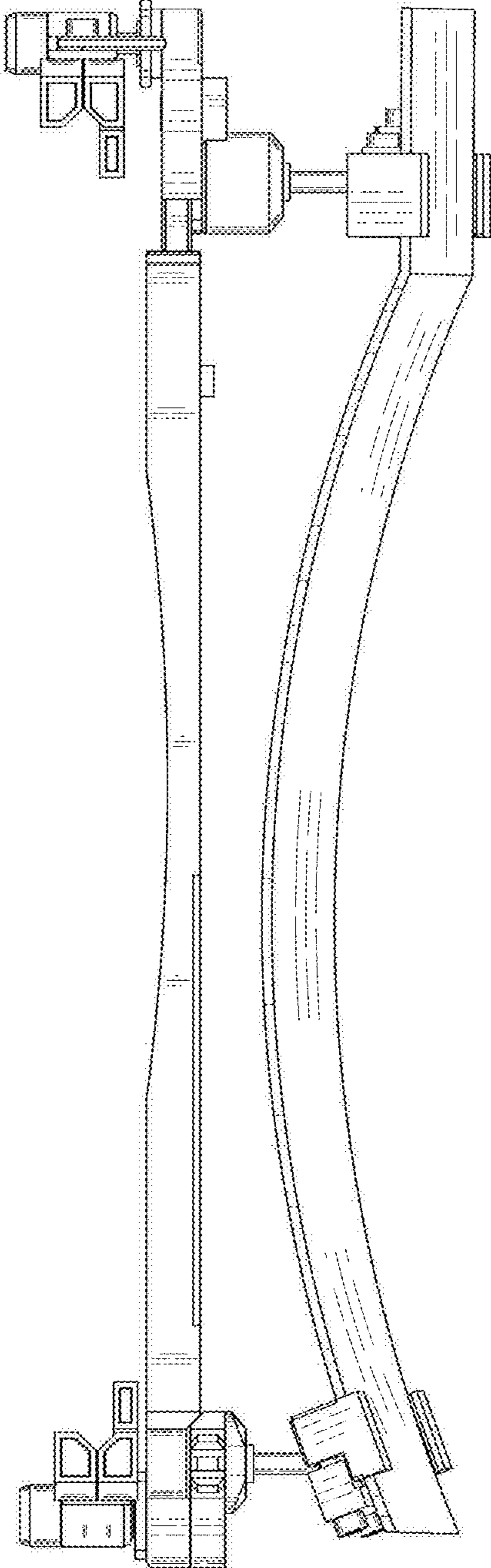


FIG. 10