



US00D792505S

(12) **United States Design Patent** (10) **Patent No.:** **US D792,505 S**
Paterson (45) **Date of Patent:** **** Jul. 18, 2017**

(54) **PICK HOLDER**

(71) Applicant: **Robert Bruce Paterson**, Tenafly, NJ
(US)

(72) Inventor: **Robert Bruce Paterson**, Tenafly, NJ
(US)

(**) Term: **15 Years**

(21) Appl. No.: **29/555,603**

(22) Filed: **Feb. 23, 2016**

(51) **LOC (10) Cl.** **17-03**

(52) **U.S. Cl.**
USPC **D17/20**

(58) **Field of Classification Search**

USPC D3/204, 208, 215, 218, 219, 226, 249,
D3/270, 274, 276, 281, 282, 294, 365,
D3/905; D8/348, 395; D9/665; D10/31;
D11/78.1, 79, 103, 104; D15/140;
D17/9, 14, 18, 19, 20, 21, 24, 99;
D21/398, 405; D2/895
CPC . G10D 3/16; G10D 3/163; B67B 7/44; B67B
7/00; B42F 1/06; B42F 1/00; A45C
11/321; A45C 11/328; A45C 11/00; A45C
11/32; A45C 1/00

See application file for complete search history.

(56) **References Cited**

U.S. PATENT DOCUMENTS

1,412,239	A *	4/1922	Guckert	G10D 1/10 84/269
1,422,769	A *	7/1922	Calvert	G10D 1/10 84/270
1,857,488	A *	5/1932	Weeks	B42F 1/06 150/137
3,027,995	A *	4/1962	Littman	A45C 1/02 206/0.81

(Continued)

OTHER PUBLICATIONS

Exotic wood Money clip with Cherry wood Banjo Inlay and custom engraving, posted at Etsy.com, posted on Dec. 19, 2013, [online], [site visited Oct. 19, 2016]. Available from Internet, <URL: https://www.etsy.com/listing/198842017/exotic-wood-money-clip-with-cherry-wood?ref=shop_home_active_5>.*

(Continued)

Primary Examiner — Thomas Johannes

Assistant Examiner — Catherine Ho

(74) *Attorney, Agent, or Firm* — Garcia-Zamor IP Law;
Ruy M. Garcia-Zamor

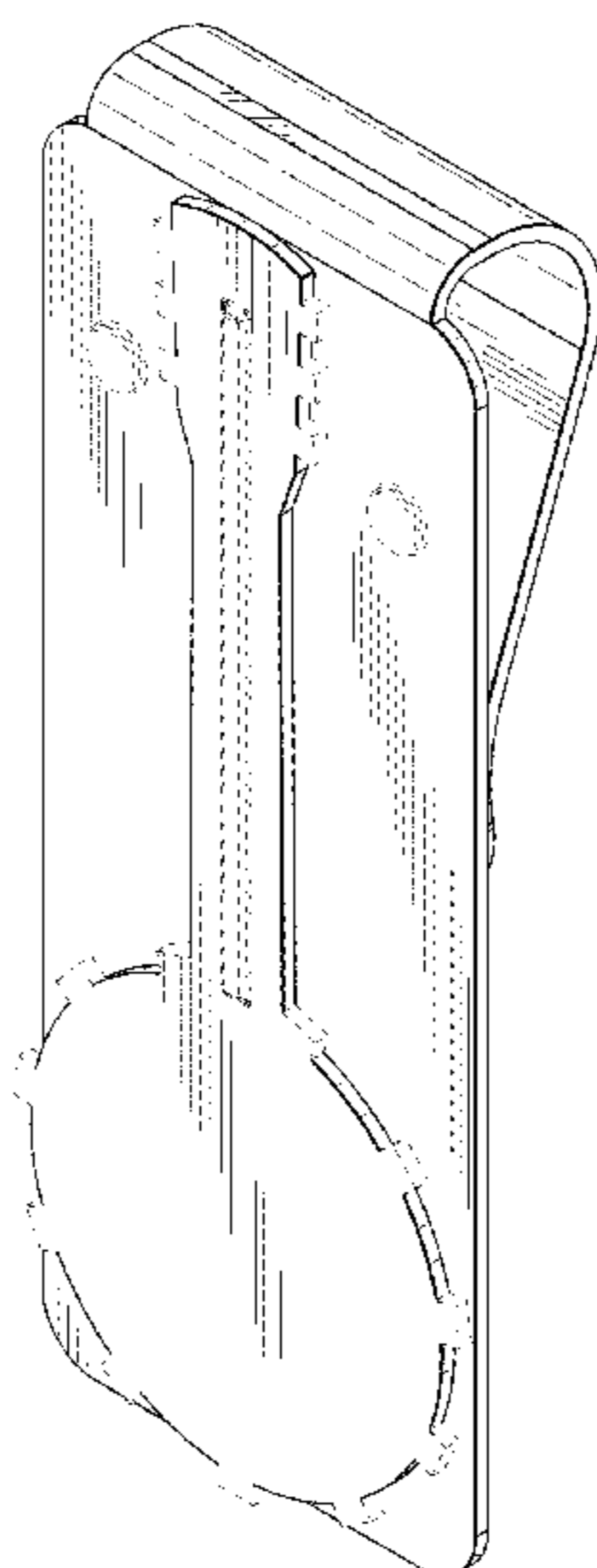
(57) **CLAIM**

I claim a new ornamental design for a pick holder, as shown and described.

DESCRIPTION

FIG. 1 is a front perspective view of a pick holder of the present invention;
FIG. 2 is a rear perspective view of the pick holder of FIG. 1;
FIG. 3 is a front side elevational view of the pick holder of FIG. 1;
FIG. 4 is a left side elevational view of the pick holder of FIG. 1;
FIG. 5 is a right side elevational view of the pick holder of FIG. 1;
FIG. 6 is a rear elevational view of the pick holder of FIG. 1;
FIG. 7 is a top plan view of the pick holder of FIG. 1;
FIG. 8 is a bottom plan view of the pick holder of FIG. 1;
FIG. 9 is a top perspective view of the pick holder of FIG. 1; and,
FIG. 10 is a perspective view of the pick holder of FIG. 1 in an environment of use.
The broken line portion of the figure drawings is included to show environment that forms no part of the claimed design.

1 Claim, 5 Drawing Sheets



(56)

References Cited

U.S. PATENT DOCUMENTS

3,224,052	A *	12/1965	Abraham	A45C 11/321
				24/3.1
D239,147	S *	3/1976	Karlsen	D11/215
4,785,708	A	11/1988	Vaughan	
4,903,376	A *	2/1990	Rousseau	B42F 1/00
				150/137
5,231,238	A	7/1993	Adams	
6,140,564	A	10/2000	Pia	
6,215,052	B1	4/2001	Giddens	
6,933,430	B2	8/2005	Oskorep	
7,417,184	B2	8/2008	Weathersby	
D591,044	S *	4/2009	Lakhiani	D3/249
7,626,103	B1	12/2009	Phillips	
D707,287	S *	6/2014	Thomas	D17/20
9,018,502	B2	4/2015	Aletto	
D737,169	S *	8/2015	Hirschorn	D11/78.1
2004/0083552	A1 *	5/2004	Abrahall	B67B 7/44
				7/151
2013/0152763	A1 *	6/2013	Aletto	G10D 3/163
				84/329

OTHER PUBLICATIONS

Sterling Silver Sand Cast Five String Banjo Money Clip, posted at Etsy.com, posted on May 31, 2011, [online], [site visited Oct. 19, 2016]. Available from Internet, <URL: https://www.etsy.com/listing/23063680/sterling-silver-sand-cast-five-string?ref=shop_review>.*

Americana Measuring Spoons, posted at Etsy.com, posted on Dec. 1, 2014, [online], [site visited Oct. 19, 2016]. Available from Internet, <URL: https://www.etsy.com/listing/196097328/america-measuring-spoons-guitar-banjo?ref=shop_review>.*

Miniature Banjo Necklace on Silver Chain. With Case, posted at Etsy.com, posted on Jan. 28, 2013, [online], [site visited Oct. 19, 2016]. Available from Internet, <URL: <https://www.etsy.com/listing/121562502/miniature-banjo-necklace-on-silver-chain>>.*

* cited by examiner

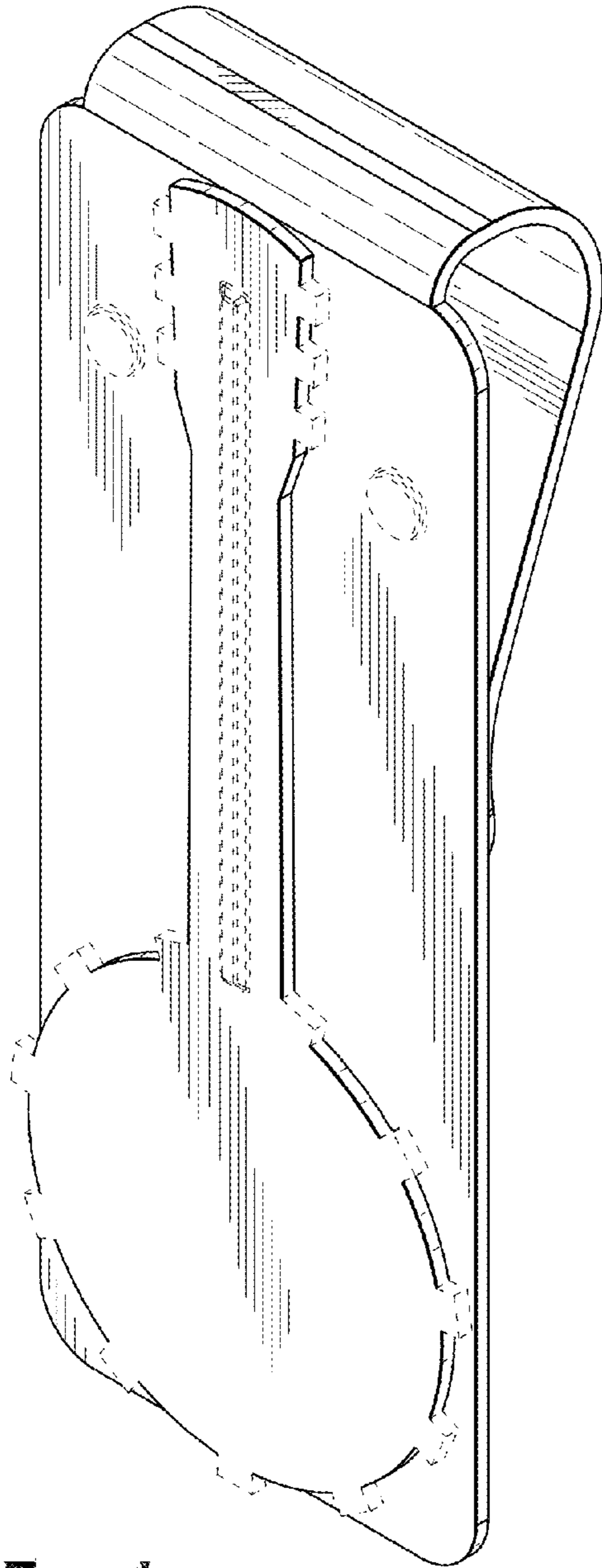


FIG. 1

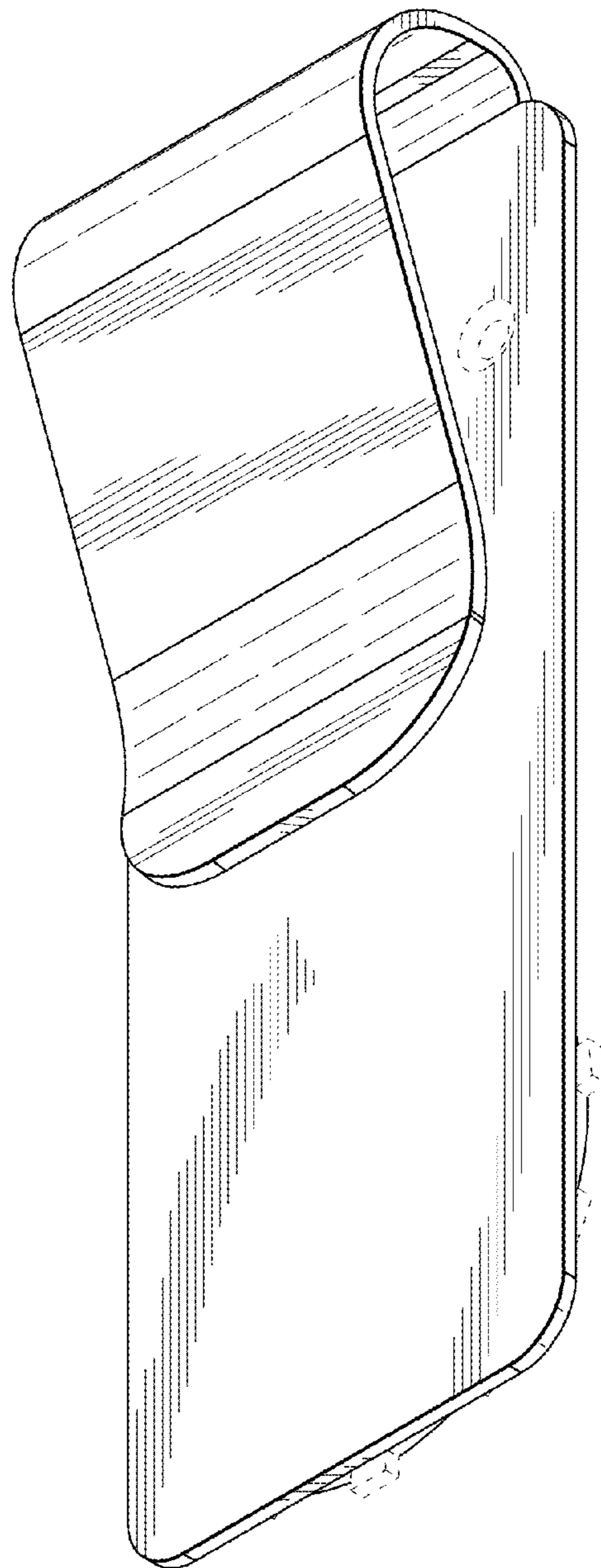


FIG. 2

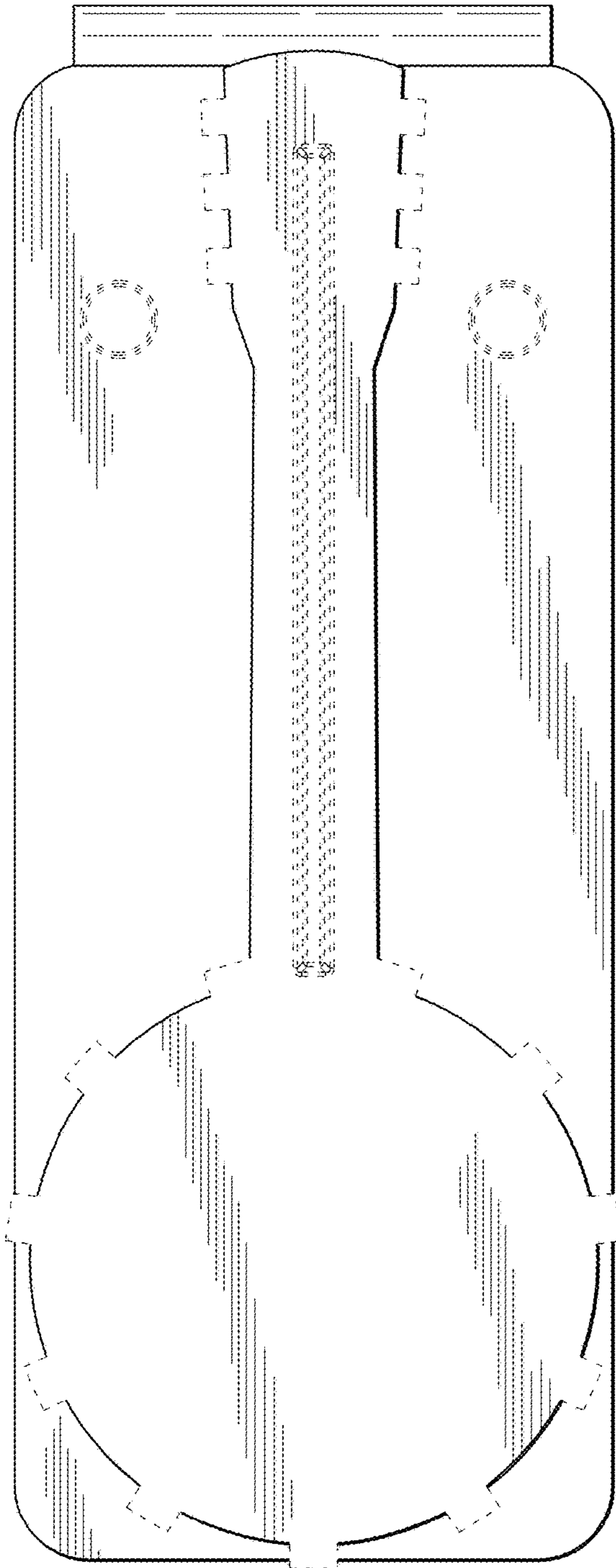


FIG. 3

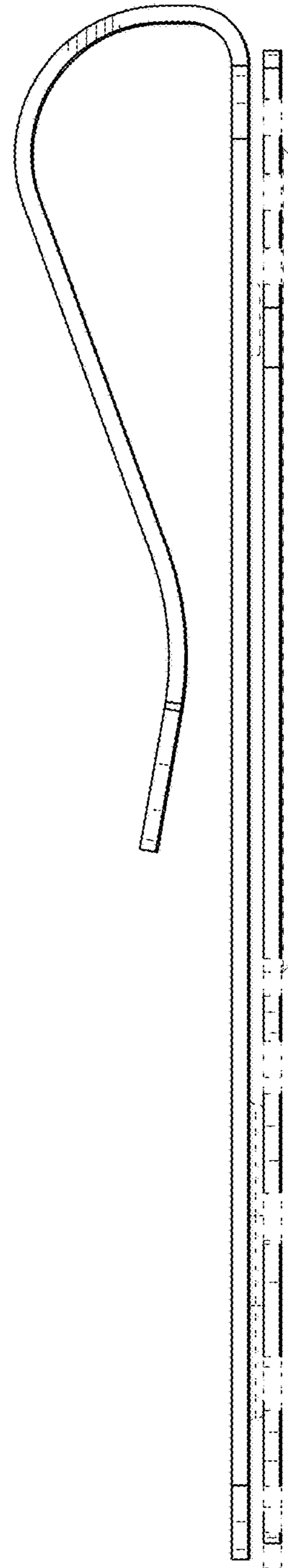


FIG. 4

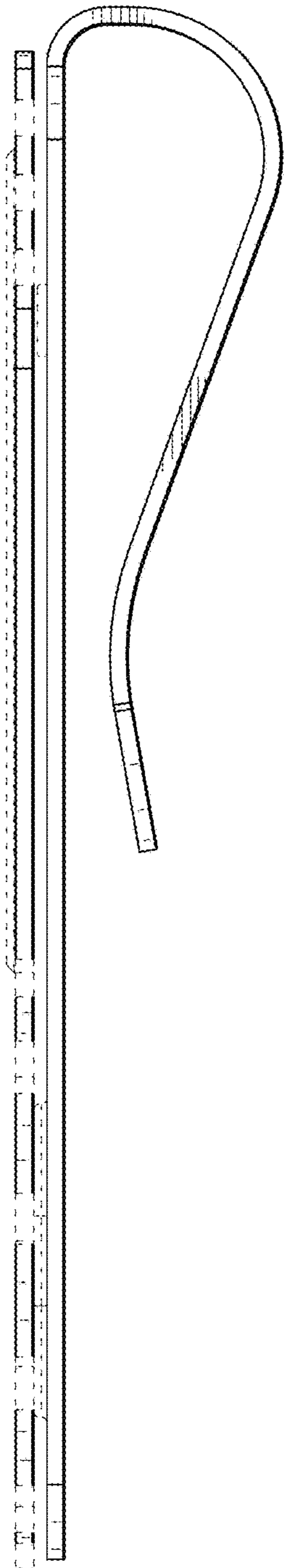


FIG. 5

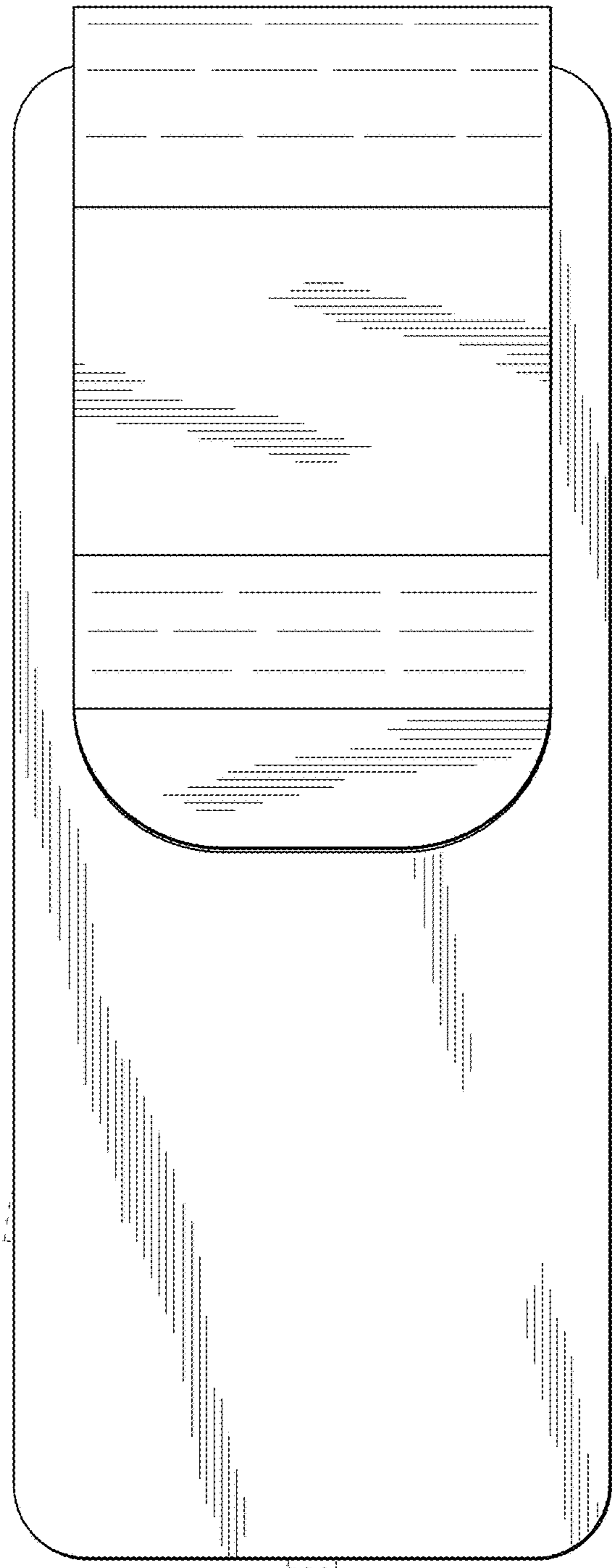


FIG. 6

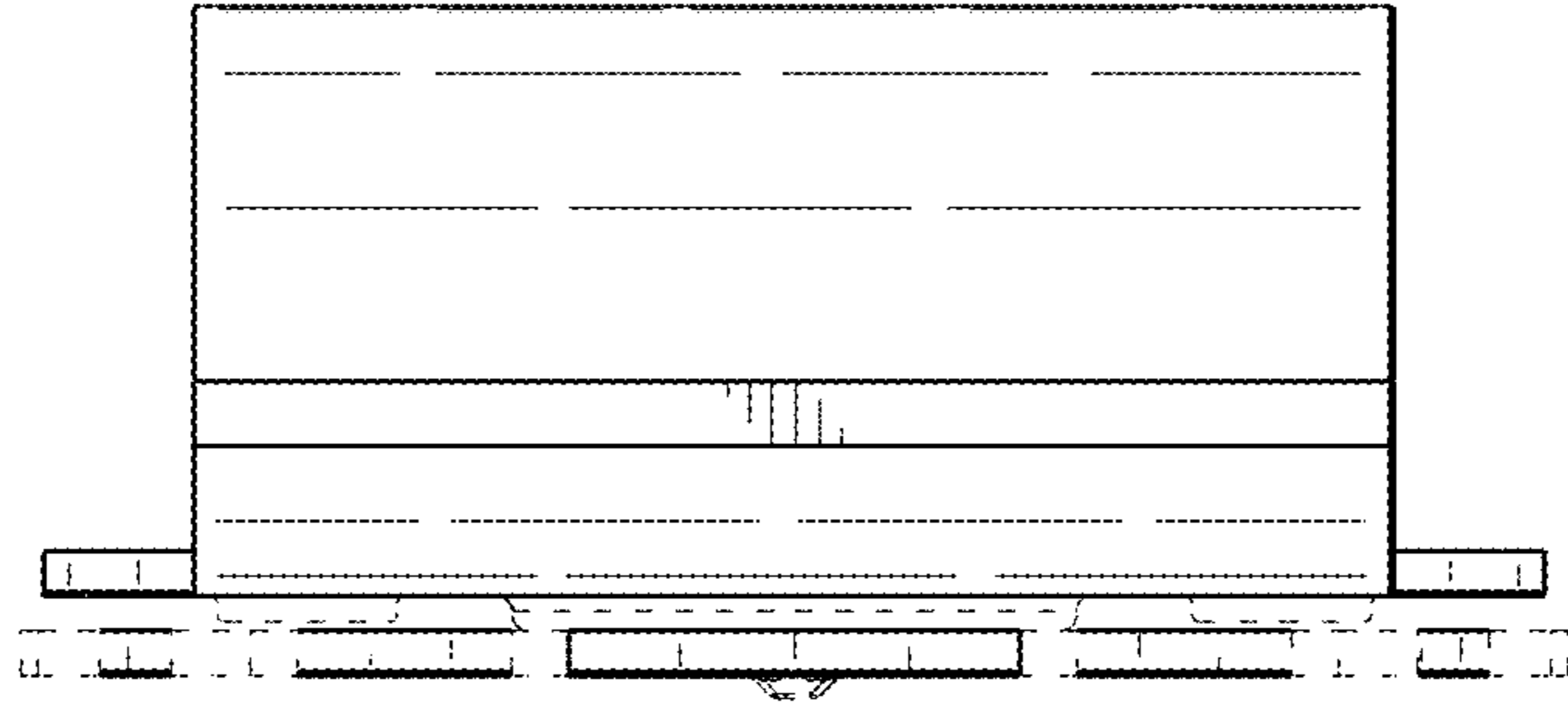


FIG. 7

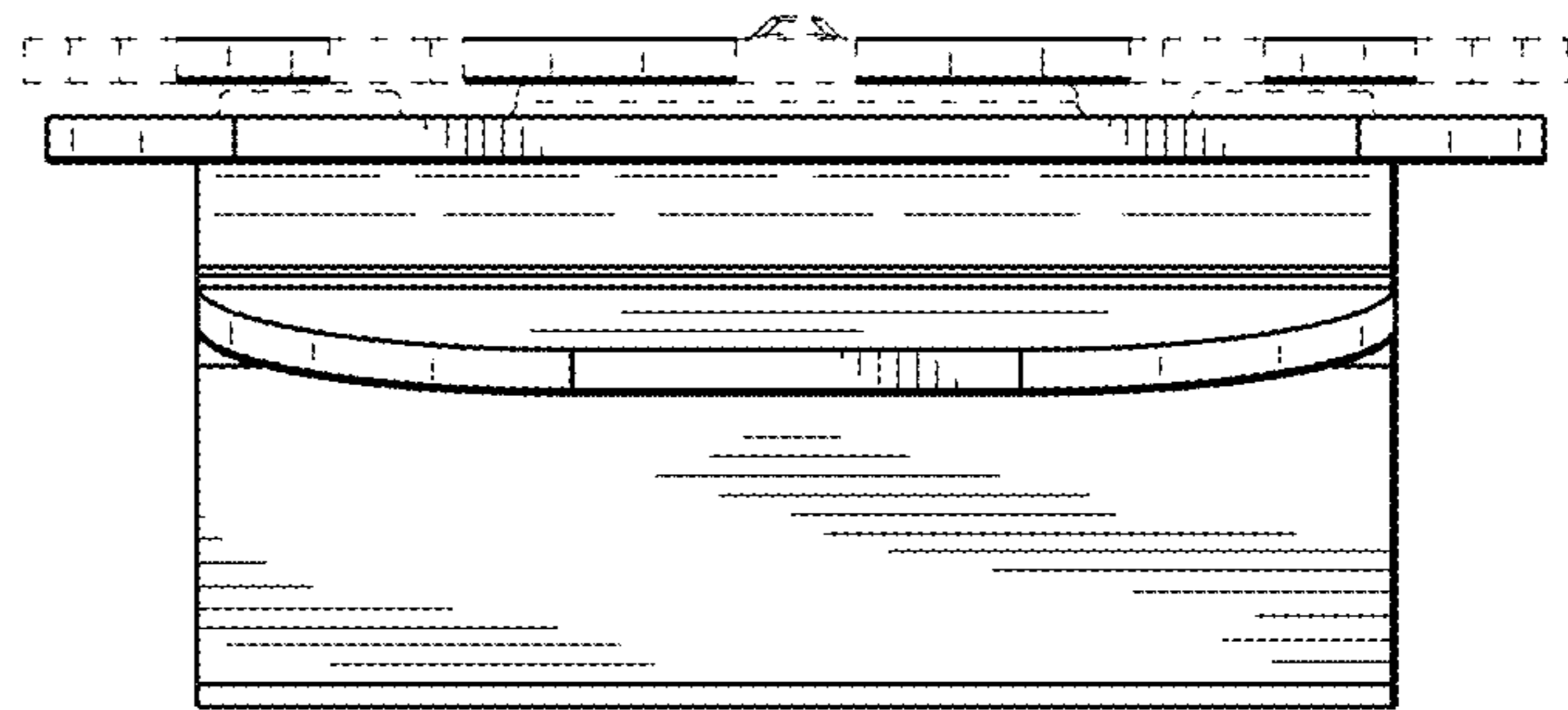


FIG. 8

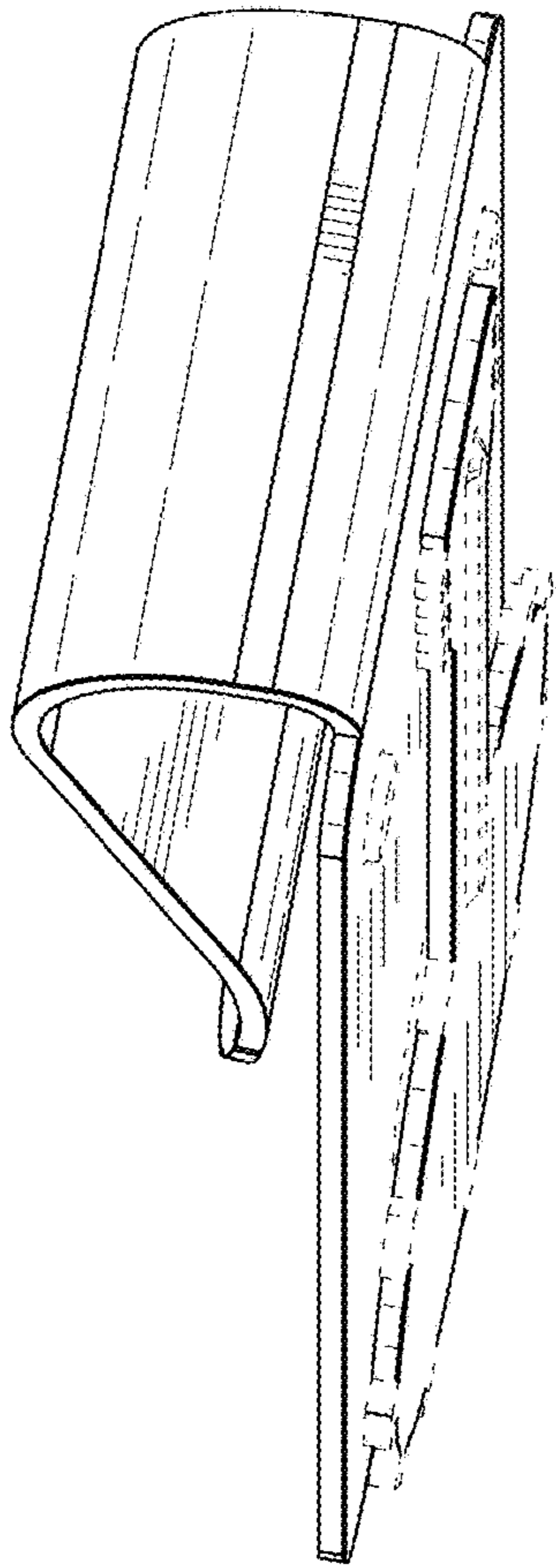


FIG. 9

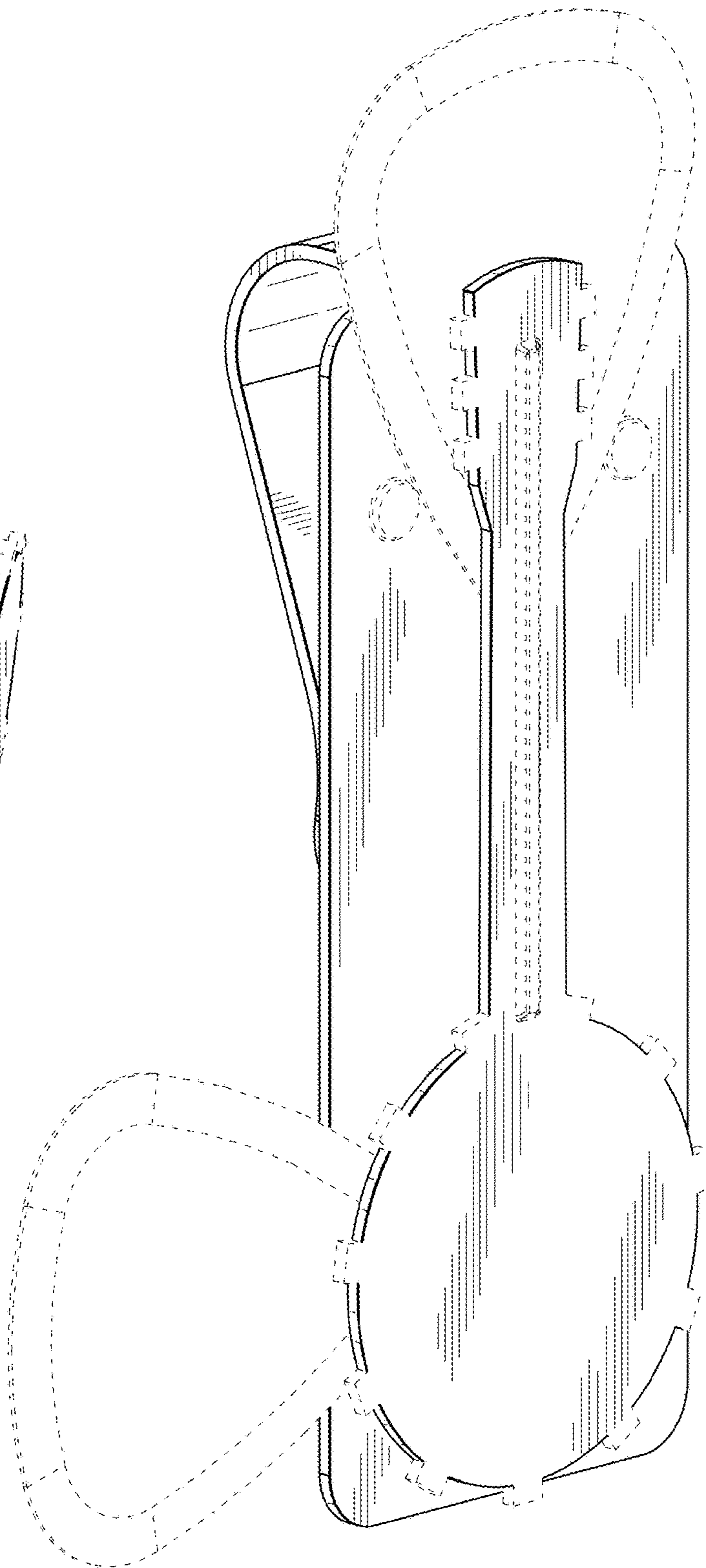


FIG. 10