



US00D792500S

(12) **United States Design Patent** (10) **Patent No.:** **US D792,500 S**
Frith (45) **Date of Patent:** **** Jul. 18, 2017**

(54) **CHARM MOUNT**
(71) Applicant: **Grace L. Frith**, Boynton Beach, FL (US)
(72) Inventor: **Grace L. Frith**, Boynton Beach, FL (US)
(**) Term: **15 Years**
(21) Appl. No.: **29/560,327**
(22) Filed: **Apr. 5, 2016**
(51) **LOC (10) Cl.** **16-06**
(52) **U.S. Cl.**
USPC **D16/341**
(58) **Field of Classification Search**
USPC D16/101, 300-342, 900; D29/109-110; D21/483, 659-661; D14/372; 351/41, 351/44, 45-48, 51-52, 62, 158, 92, 351/103-123, 140-153, 63, 59; 2/13, 15, 2/426-432, 447-449, 441, 434-437
CPC G02C 2200/08; G02C 1/06; G02C 5/14; G02C 11/02; G02C 11/04; G02C 5/16; G02C 2200/22; G02C 5/146; G02C 5/2254; G02C 5/008; G01C 5/16; A61M 2021/0044; A63B 33/002
See application file for complete search history.

(56) **References Cited**
U.S. PATENT DOCUMENTS
D345,567 S * 3/1994 Deckard D16/337
5,654,787 A * 8/1997 Barison G02C 3/003
351/157
5,974,632 A * 11/1999 Chang G02C 3/003
24/298
6,520,635 B1 2/2003 Ignatowski
7,524,052 B2 4/2009 Esses
7,591,554 B2 * 9/2009 Guerrero G02C 11/02
351/51
D621,375 S 8/2010 Nagase

D677,317 S * 3/2013 Hillegass D16/341
8,549,879 B2 * 10/2013 Mellinger A44C 15/00
351/51
D707,194 S 6/2014 Shen et al.
8,857,979 B1 10/2014 Rothman
D721,397 S * 1/2015 Feldman D16/334
D738,426 S * 9/2015 Frith D16/341
D741,399 S * 10/2015 Ho D16/335
D745,083 S * 12/2015 Yoo D16/326
2008/0239232 A1 * 10/2008 Guerrero G02C 11/02
351/52
2008/0273162 A1 11/2008 Porter
2015/0146157 A1 * 5/2015 Tipp G02C 5/146
351/52

* cited by examiner

Primary Examiner — Eric Goodman
Assistant Examiner — Sanjeev Paul
(74) *Attorney, Agent, or Firm* — QuickPatents, LLC;
Kevin Prince

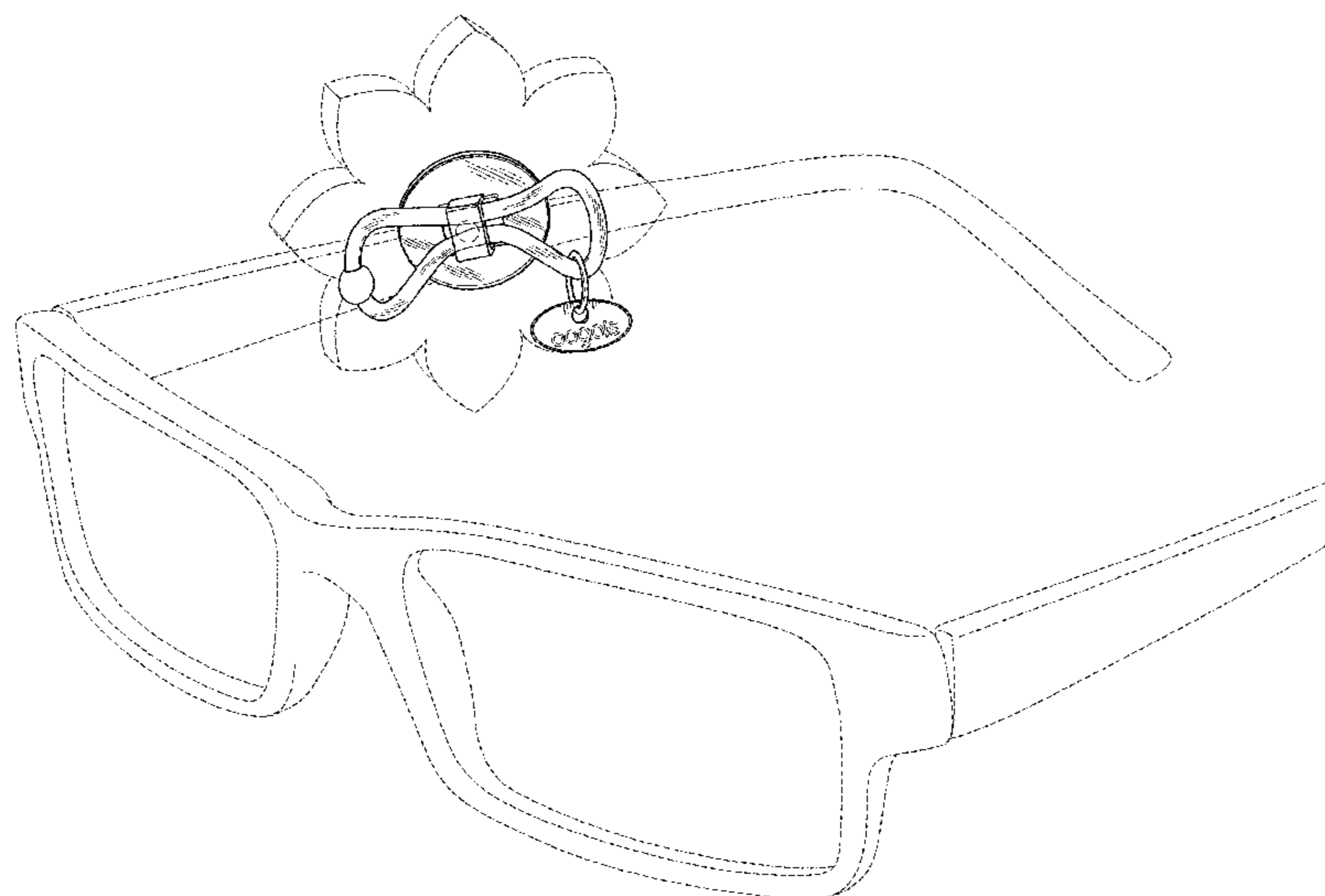
(57) **CLAIM**

I claim the ornamental design for a charm mount, as shown and described.

DESCRIPTION

FIG. 1 is a perspective view of a charm mount, showing my new design;
FIG. 2 is a perspective view thereof;
FIG. 3 is a rear elevational view thereof;
FIG. 4 is a front elevational view thereof;
FIG. 5 is a right-side elevational view thereof;
FIG. 6 is a left-side elevational view thereof;
FIG. 7 is a top plan view thereof; and,
FIG. 8 is a bottom plan view thereof.
The broken lines shown in the drawings are included for the purpose of illustrating environmental structure and unclaimed portions of the charm mount and form no part of the claimed design.

1 Claim, 4 Drawing Sheets



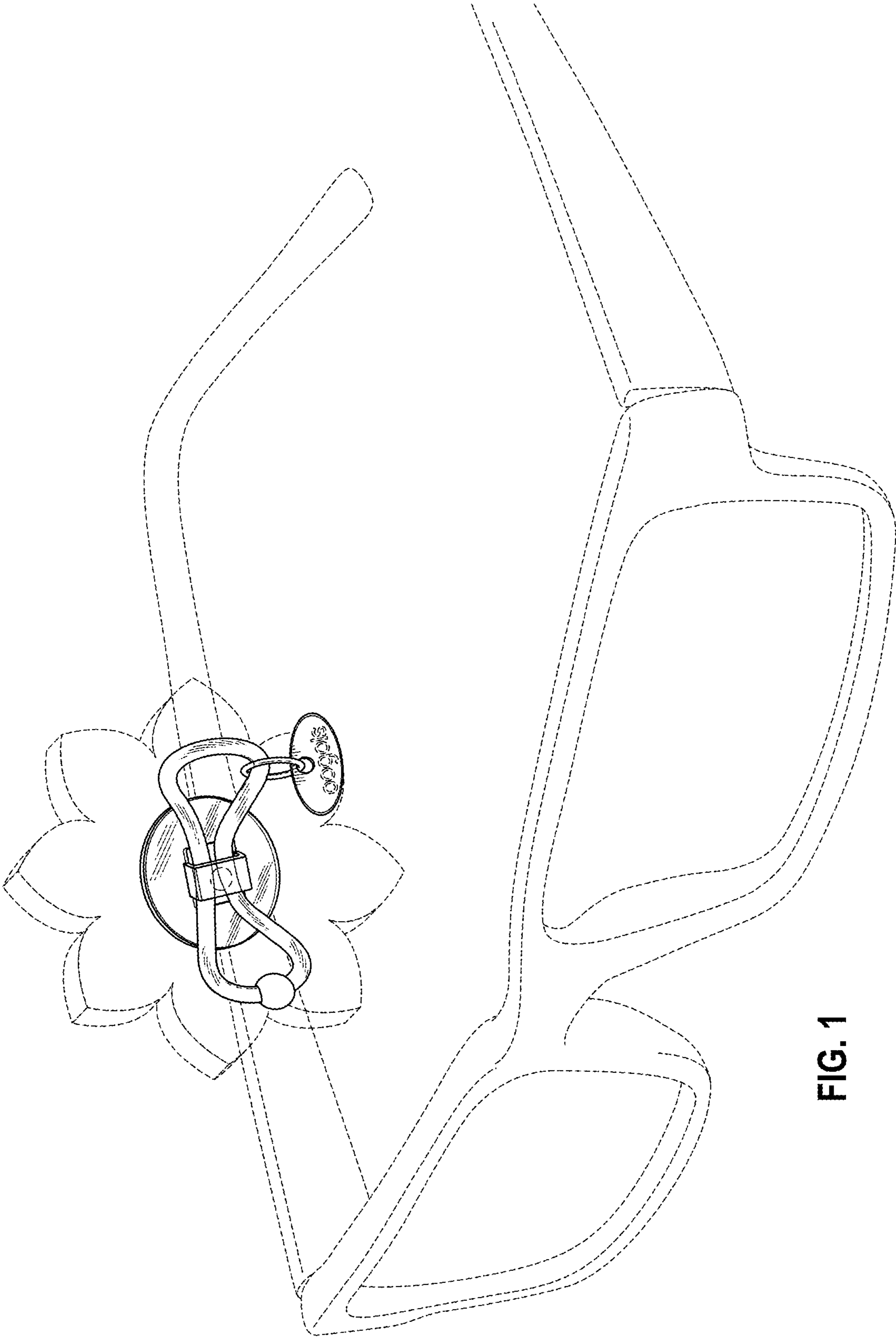


FIG. 1

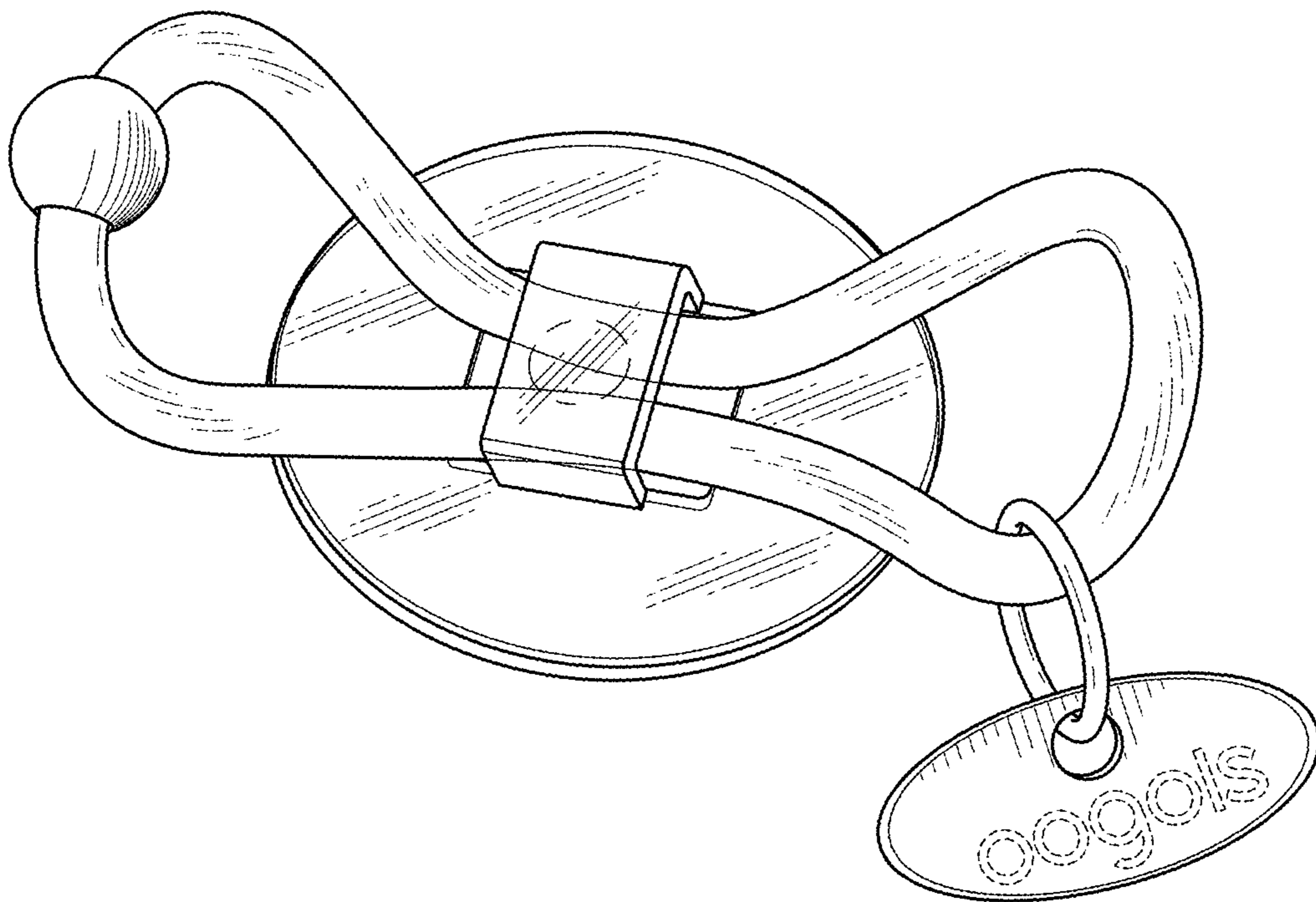


FIG. 2

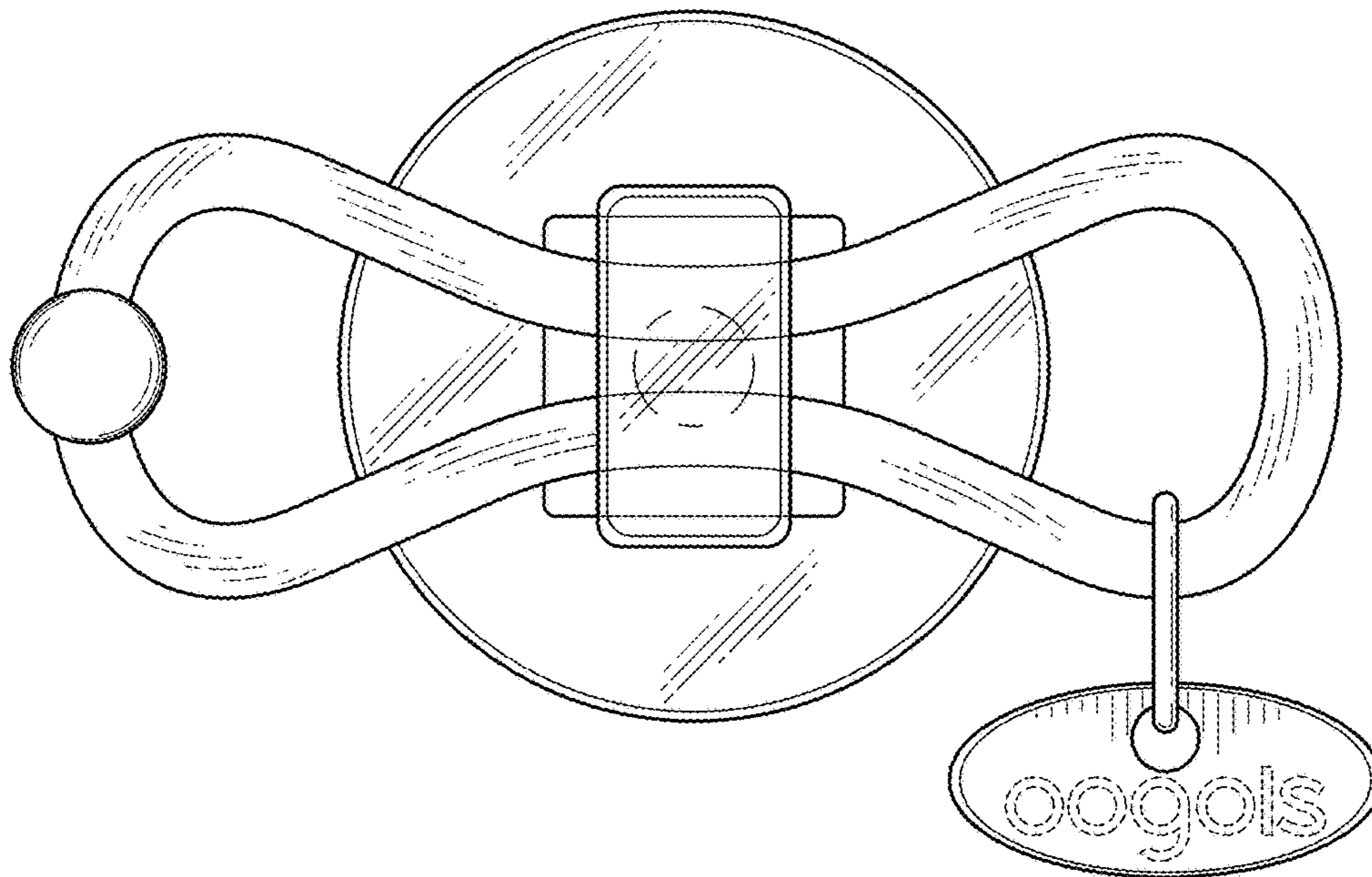


FIG. 3

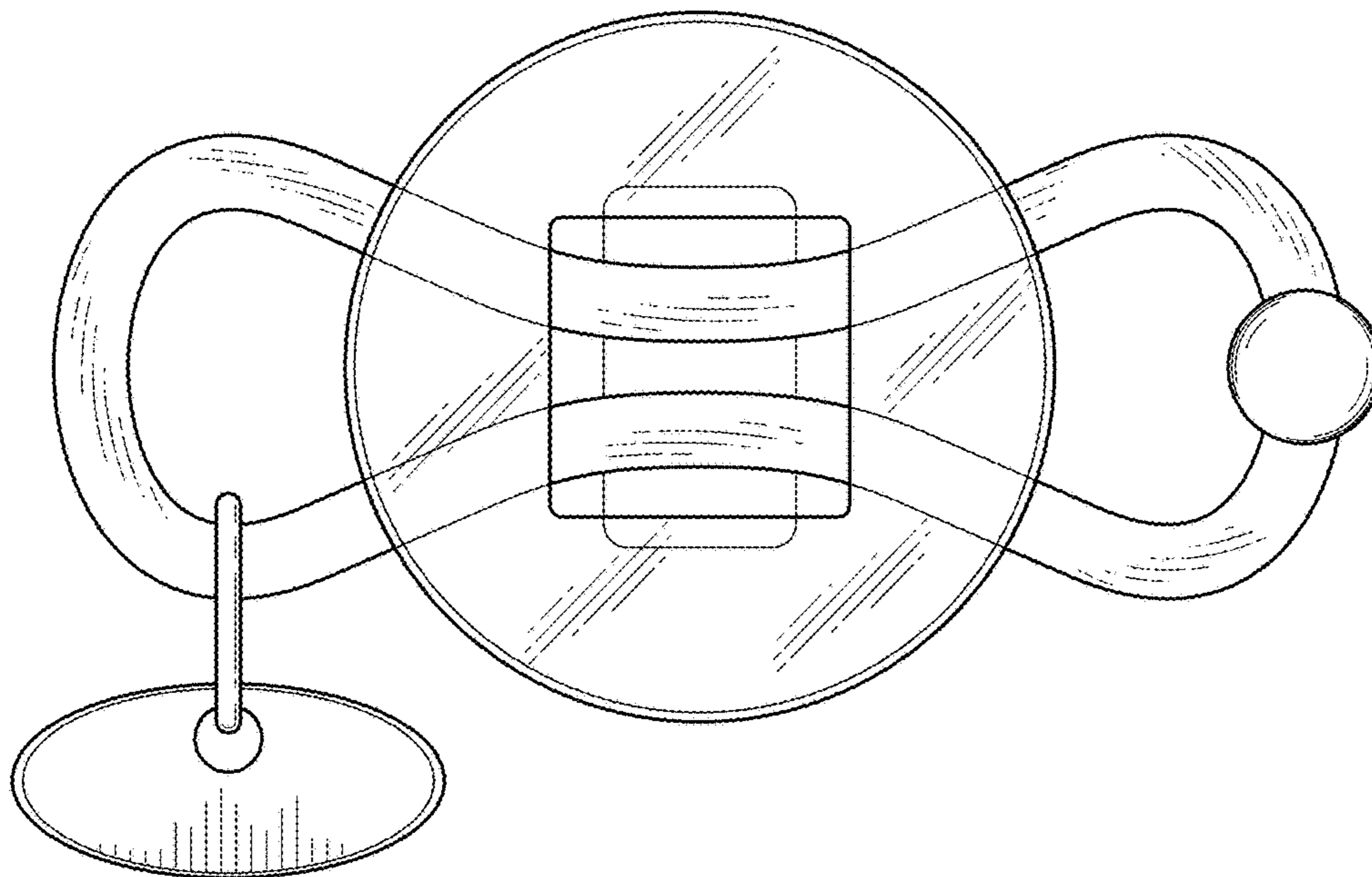


FIG. 4

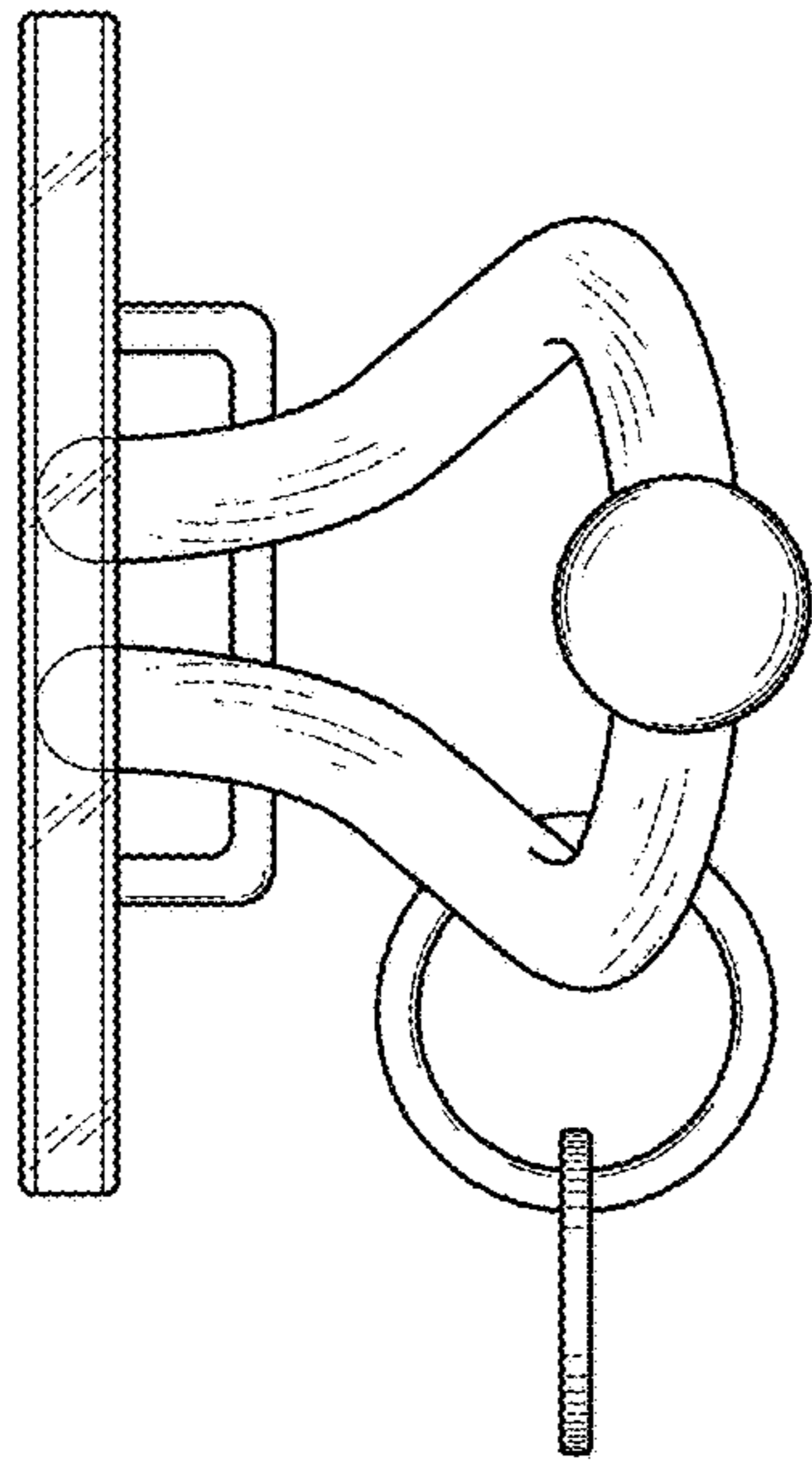


FIG. 5

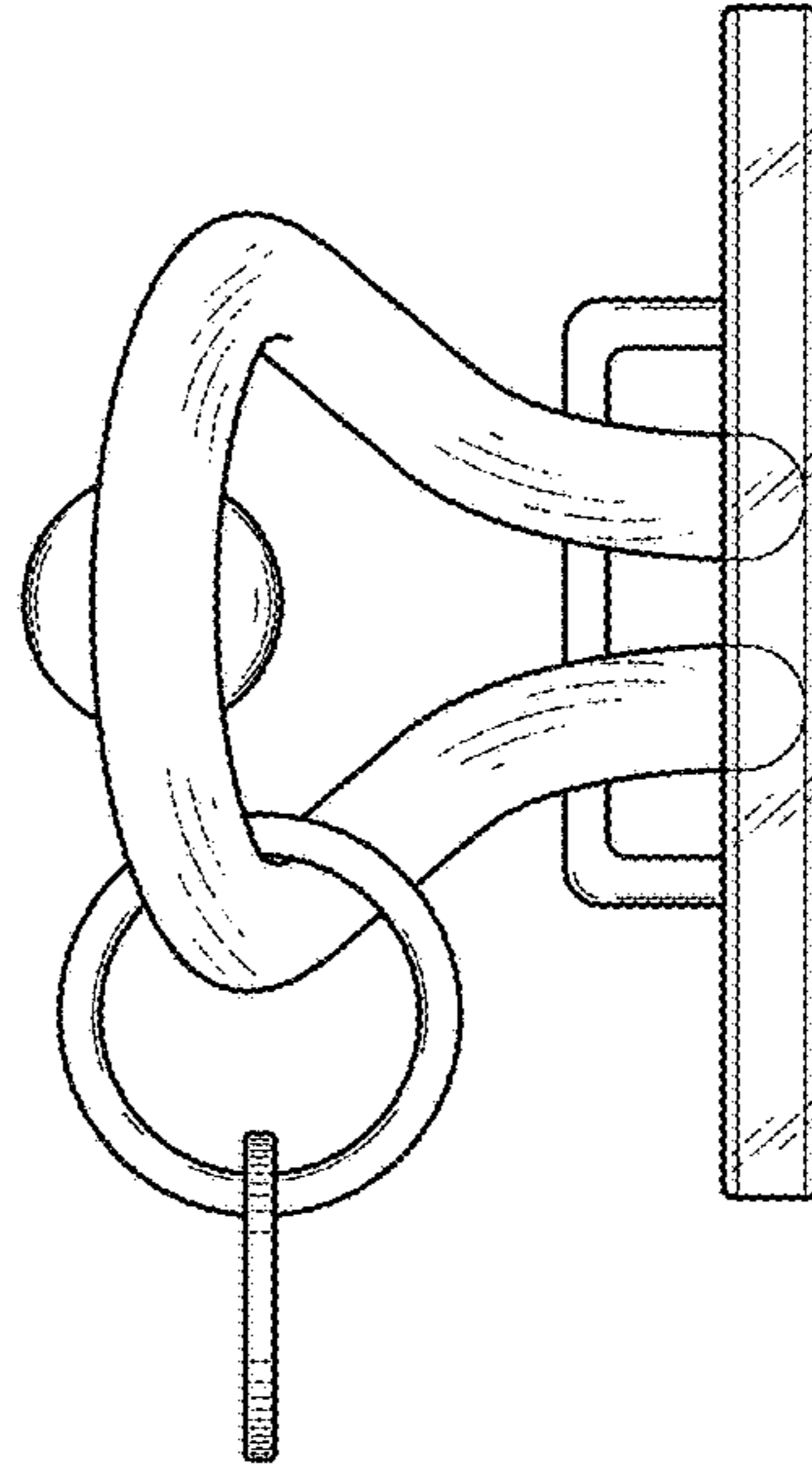


FIG. 6

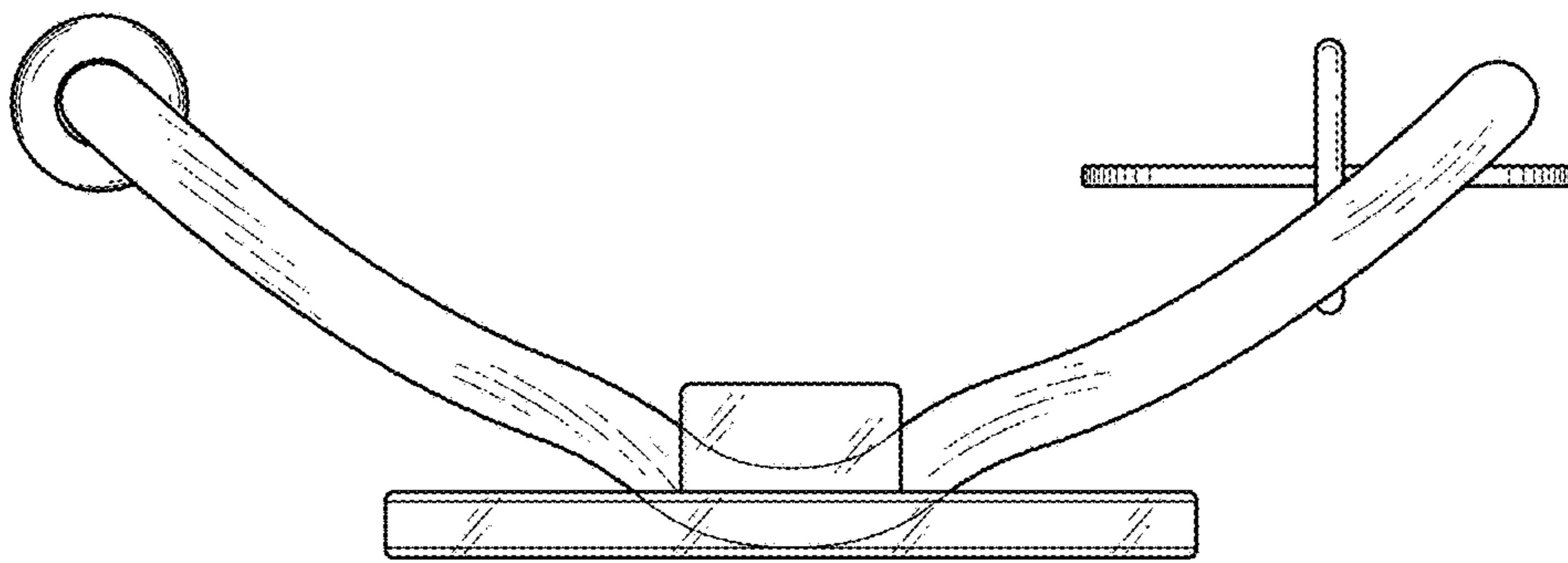


FIG. 7

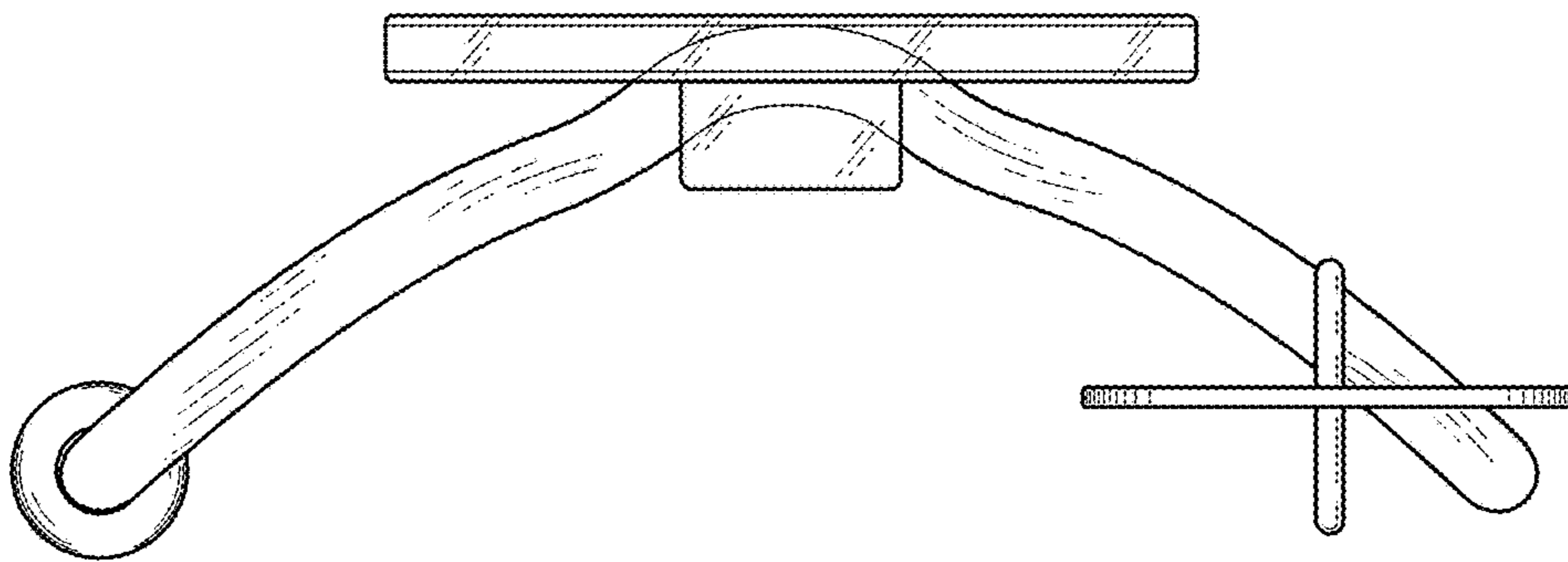


FIG. 8