



US00D792498S

(12) **United States Design Patent** (10) **Patent No.:** **US D792,498 S**  
**Ohta et al.** (45) **Date of Patent:** **\*\* Jul. 18, 2017**

(54) **PROTECTIVE COVER FOR GLASSES**  
(71) Applicant: **DEXERIALS CORPORATION,**  
Tokyo (JP)  
(72) Inventors: **Eiji Ohta,** Tokyo (JP); **Shigehisa Ohkawara,** Tokyo (JP); **Satoshi Kawamura,** Tokyo (JP); **Kimitaka Nishimura,** Tokyo (JP)  
(73) Assignee: **DEXERIALS CORPORATION,**  
Tokyo (JP)  
(\*\*) Term: **15 Years**  
(21) Appl. No.: **29/530,742**  
(22) Filed: **Jun. 18, 2015**  
(51) **LOC (10) Cl.** ..... **06-09**  
(52) **U.S. Cl.**  
USPC ..... **D16/330**  
(58) **Field of Classification Search**  
USPC ..... D16/101, 300-342, 900; D29/109-110;  
D14/372; 351/41, 44, 45-48, 51-52, 62,  
351/158, 92, 103-123, 140-153, 63, 59;  
2/13, 15, 426-432, 447-449, 441,  
2/434-437  
CPC ..... G02C 2200/08; G02C 1/06; G02C 5/14;  
G02C 11/02; G02C 11/04; G02C 5/16;  
G02C 2200/22; G02C 5/146; G02C  
5/2254; G02C 5/008; G01C 5/16; A61M  
2021/0044; A63B 33/002  
See application file for complete search history.

(56) **References Cited**  
U.S. PATENT DOCUMENTS  
D115,760 S \* 7/1939 English ..... D16/314  
2,534,655 A \* 12/1950 Baratelli ..... G02C 7/10  
2/431  
D208,502 S \* 9/1967 Halpern ..... 351/45

D230,437 S \* 2/1974 Rabuse ..... D16/101  
D230,438 S \* 2/1974 Rabuse ..... D16/101  
D230,439 S \* 2/1974 Rabuse ..... D16/101  
D274,181 S \* 6/1984 Abate ..... D16/314  
D280,994 S \* 10/1985 Abate ..... D16/314  
D292,410 S \* 10/1987 Hunter ..... D16/314  
D294,710 S \* 3/1988 Witzel ..... D16/339  
D306,867 S \* 3/1990 Leger ..... D14/483  
D308,691 S \* 6/1990 Myers ..... D16/314  
D319,449 S \* 8/1991 Millar ..... D16/312  
D319,451 S \* 8/1991 Russell ..... D16/313  
D336,908 S \* 6/1993 Jannard ..... D16/101  
D337,124 S \* 7/1993 Hall ..... D16/314  
D337,596 S \* 7/1993 Canavan ..... D16/101  
D360,645 S \* 7/1995 Canavan ..... D16/101  
D368,923 S \* 4/1996 Tsai ..... D16/314  
D375,317 S \* 11/1996 Canavan ..... D16/101  
D384,685 S \* 10/1997 Martinant de Preneuf . D16/314  
D397,126 S \* 8/1998 Hall ..... D16/101  
D408,046 S \* 4/1999 Haas ..... D16/312

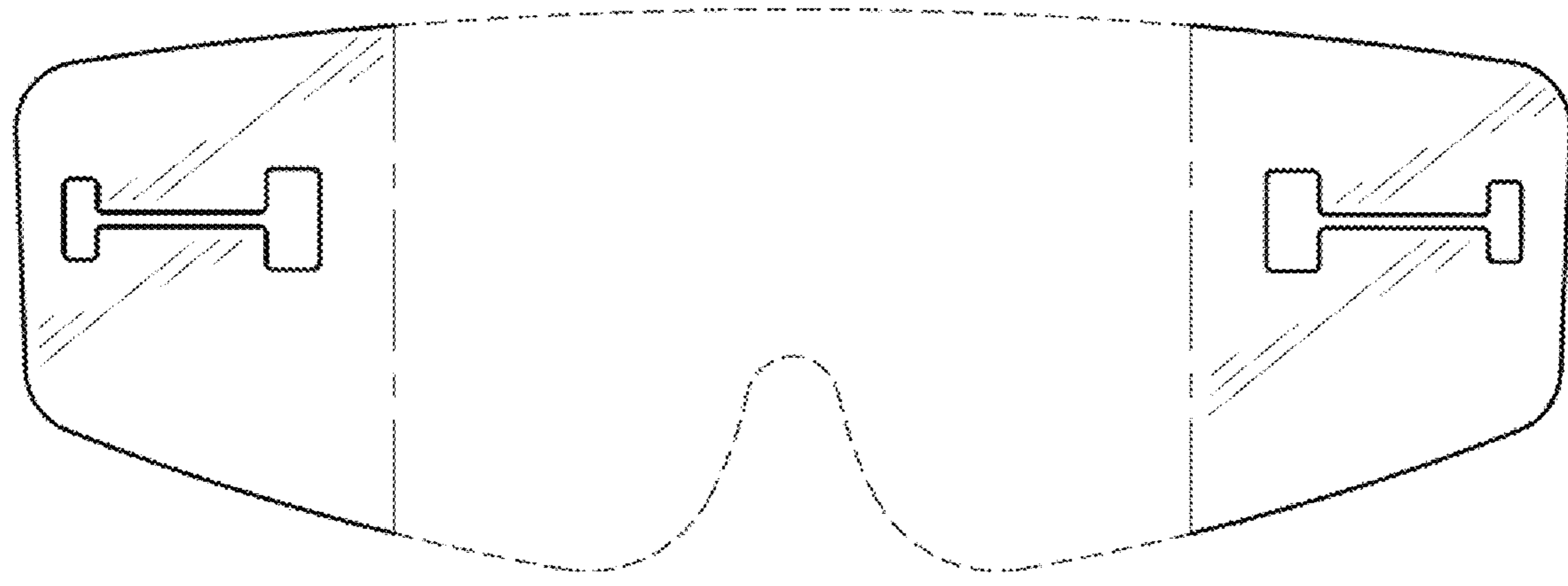
(Continued)

*Primary Examiner* — Eric Goodman  
*Assistant Examiner* — Sanjeev Paul  
(74) *Attorney, Agent, or Firm* — Paratus Law Group,  
PLLC

(57) **CLAIM**  
We claim the ornamental design for a protective cover for glasses, as shown and described.

**DESCRIPTION**  
FIG. 1 is a front view of a protective cover for glasses showing the new design;  
FIG. 2 is a left side elevational view thereof;  
FIG. 3 is a top plan view thereof; and,  
FIG. 4 is a perspective view thereof.  
The broken lines shown in the drawings are included for the purpose of illustrating unclaimed portions of the protective cover for glasses and form no part of the claimed design. The dot-dash-dot lines indicate the boundary of the claim. The entire design is transparent.

**1 Claim, 4 Drawing Sheets**



(56)

References Cited

U.S. PATENT DOCUMENTS

D417,678 S *	12/1999	Hall	.....	D16/101	D700,929 S *	3/2014	McNeal	.....	D16/312
D419,166 S *	1/2000	Wiedner	.....	D16/101	D725,690 S *	3/2015	Garfias	.....	D16/101
D419,579 S *	1/2000	Hall	.....	D16/101	D726,378 S *	4/2015	Wako	.....	D29/110
D420,027 S *	2/2000	Hall	.....	D16/101	D735,788 S *	8/2015	Uhm	.....	D16/101
D424,079 S *	5/2000	Hall	.....	D16/101	D744,565 S *	12/2015	Thixton	.....	D16/101
D424,080 S *	5/2000	Hall	.....	D16/101	D753,212 S *	4/2016	Kueblbeck	.....	D16/306
D457,908 S *	5/2002	Lane	.....	D16/312	D757,833 S *	5/2016	Pfanner	.....	D16/101
6,530,659 B1 *	3/2003	Marcum	.....	A61F 9/02	D759,900 S *	6/2016	Cummings	.....	D29/110
				351/156	D761,345 S *	7/2016	Kueblbeck	.....	D16/306
D492,956 S *	7/2004	Landers	.....	D16/101	D768,747 S *	10/2016	Garfias	.....	D16/101
D512,738 S *	12/2005	Diebel	.....	D16/314	D768,748 S *	10/2016	Yoo	.....	D16/101
D533,572 S *	12/2006	Howard	.....	D16/101	D775,260 S *	12/2016	Gordon	.....	D16/301
D544,013 S *	6/2007	Curci	.....	D16/312	D776,179 S *	1/2017	Pfanner	.....	D16/101
D547,789 S *	7/2007	Eaton	.....	D16/312	D776,748 S *	1/2017	Linrothe	.....	D16/301
D548,251 S *	8/2007	Broersma	.....	D16/101	2002/0140898 A1 *	10/2002	Wu	.....	G02C 1/02
D568,917 S *	5/2008	Yee	.....	D16/101					351/83
D568,918 S *	5/2008	Yee	.....	D16/101	2006/0119790 A1 *	6/2006	Tsai	.....	G02C 1/04
D576,198 S *	9/2008	Cheng	.....	D16/314					351/110
D653,686 S *	2/2012	Tobia	.....	D16/101	2009/0119823 A1 *	5/2009	Lee	.....	B63C 11/12
D656,176 S *	3/2012	Coty	.....	D16/309					2/426
D686,778 S *	7/2013	Isobe	.....	D29/110	2016/0062149 A1 *	3/2016	Gerton	.....	G02C 7/104
D700,401 S *	2/2014	Larrivee	.....	D29/110					351/43
					2016/0070120 A1 *	3/2016	Cornelius	.....	A61F 9/029
									219/211

\* cited by examiner

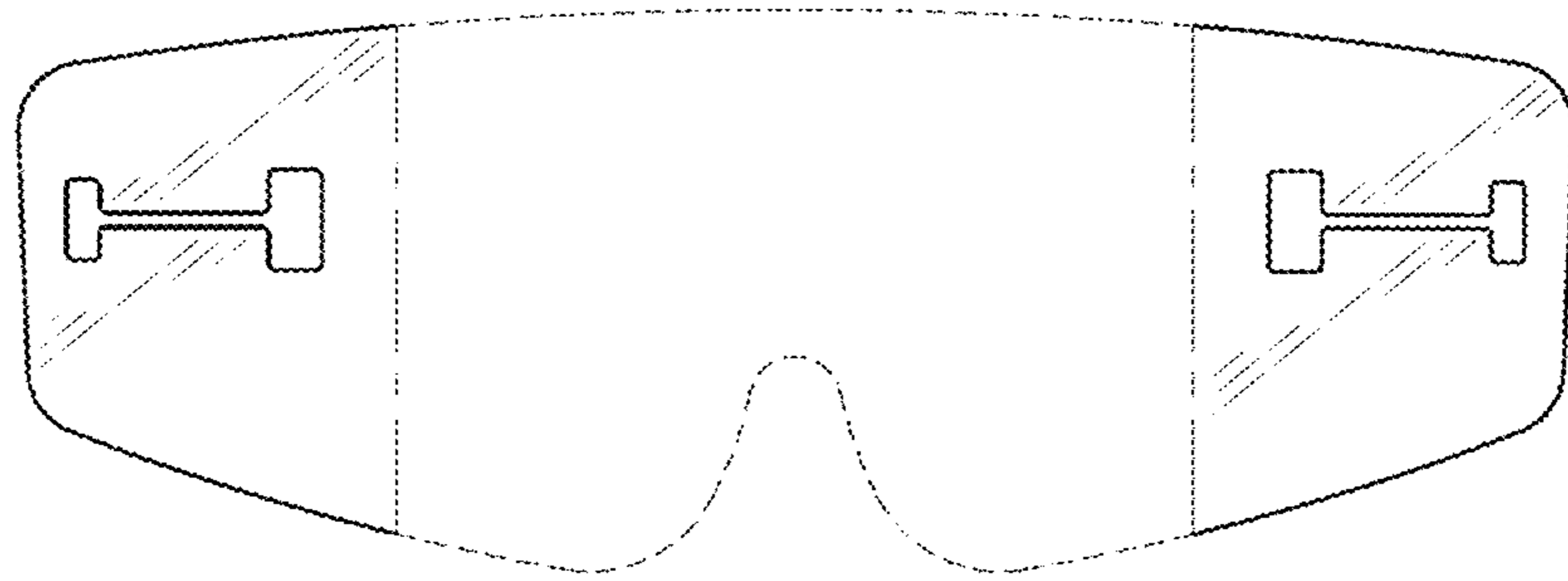


FIG. 1



FIG. 2

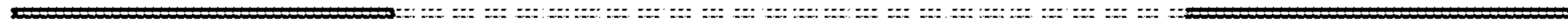


FIG. 3

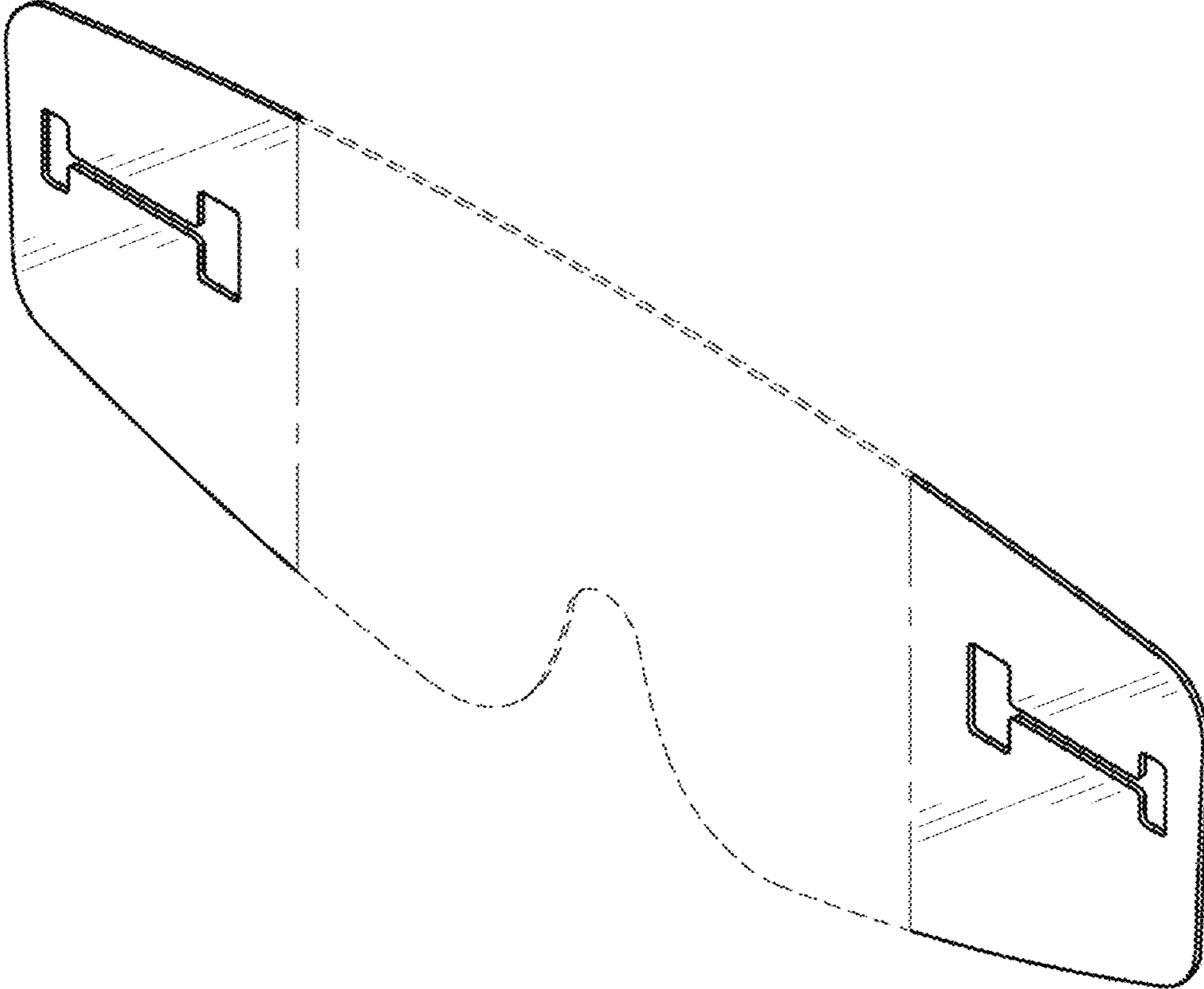


FIG. 4