



US00D792497S

(12) **United States Design Patent**
Oliveira

(10) **Patent No.:** **US D792,497 S**

(45) **Date of Patent:** **** Jul. 18, 2017**

(54) **ATTACHABLE SMARTPHONE CAMERA**

(71) Applicant: **Rui Pedro Oliveira**, Porto (PT)

(72) Inventor: **Rui Pedro Oliveira**, Porto (PT)

(73) Assignee: **Rui Pedro Oliveira**, Porto (PT)

(**) Term: **14 Years**

(21) Appl. No.: **29/487,514**

(22) Filed: **Apr. 9, 2014**

(51) **LOC (10) Cl.** **16-01**

(52) **U.S. Cl.**
USPC **D16/208**

(58) **Field of Classification Search**
USPC D16/134, 136, 200, 202–205, 208, 218,
D16/219; 348/36, 335, 373–376;
(Continued)

(56) **References Cited**

U.S. PATENT DOCUMENTS

4,429,972 A 2/1984 Yamamichi et al.
6,400,903 B1 6/2002 Conoval
(Continued)

FOREIGN PATENT DOCUMENTS

EP 103 3876 A1 9/2000
EP 109 6771 A1 5/2001
(Continued)

OTHER PUBLICATIONS

Schmalstieg, et al, Virtual Realities, Dagstuhl Seminar 2008, Chapter 2, Augmented Reality 2.0, SpringerWien New Work, 2011 (258 Pages).

(Continued)

Primary Examiner — Philip S Hyder
Assistant Examiner — Ramzi Almatrahi

(74) *Attorney, Agent, or Firm* — Nutter McClennen & Fish LLP; John J. Penny, Jr.

(57) **CLAIM**

The ornamental design for an attachable smartphone camera, as shown and described.

DESCRIPTION

FIG. 1 is a front elevational view of an attachable smartphone camera.

FIG. 2 is a rear elevational view thereof.

FIG. 3 is a right side elevational view thereof, showing the lens in a retracted position.

FIG. 4 is a right side elevational view thereof, showing the lens in an extended position.

FIG. 5 is a left side elevational view thereof, showing the lens in a retracted position.

FIG. 6 is a left side elevational view thereof, showing the lens in an extended position.

FIG. 7 is a top plan view thereof, showing the lens in a retracted position.

FIG. 8 is a top plan view thereof, showing the lens in an extended position.

FIG. 9 is a bottom plan view thereof, showing the lens in a retracted position.

FIG. 10 is a bottom plan view thereof, showing the lens in an extended position.

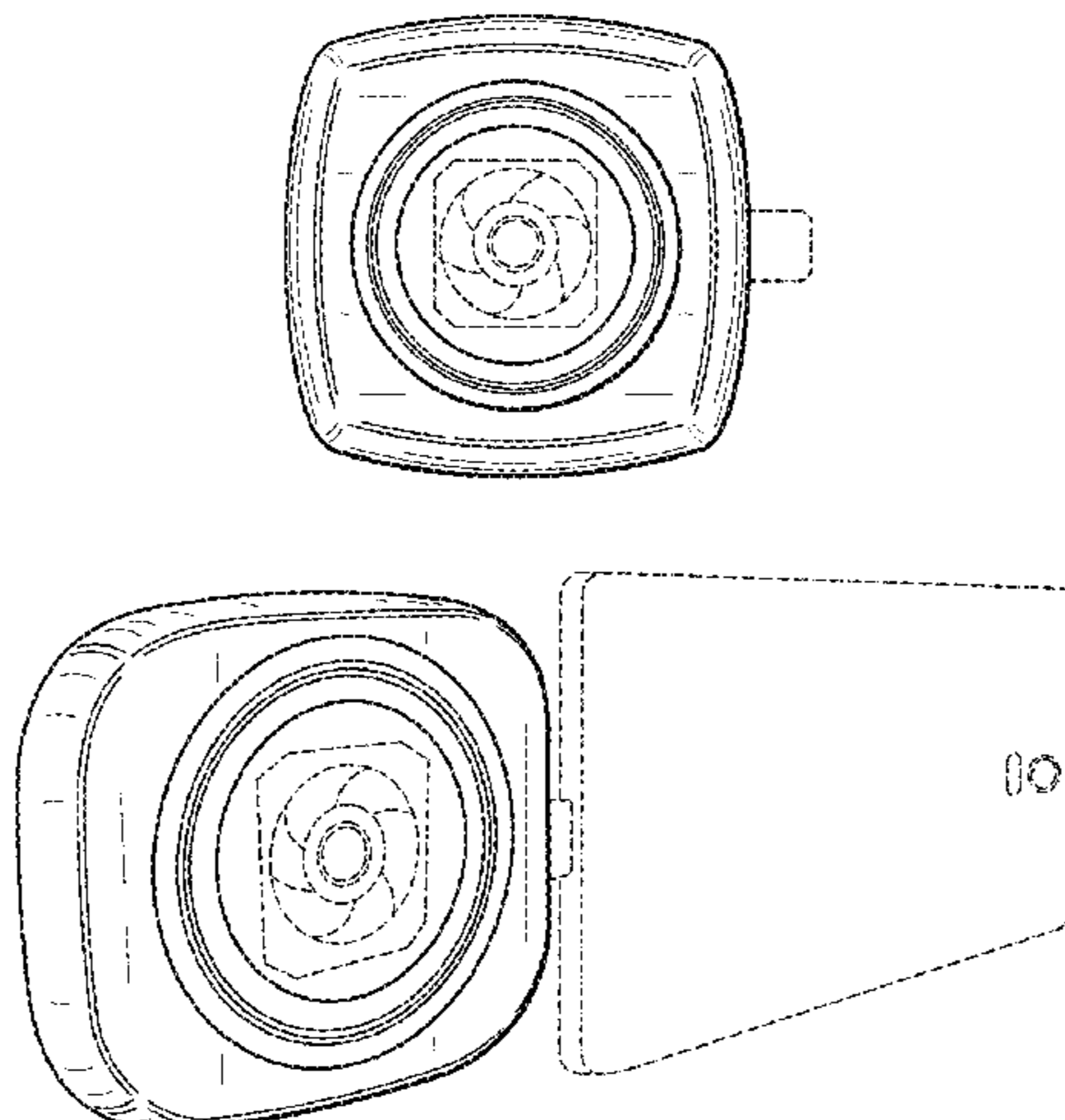
FIG. 11 is a front elevational view thereof, shown in condition of use with a smartphone disclosed in broken lines to illustrate an environment.

FIG. 12 is a rear elevational view thereof, shown in condition of use with a smartphone disclosed in broken lines to illustrate an environment; and,

FIG. 13 is a front perspective view thereof, shown in condition of use with a smartphone disclosed in broken lines to illustrate an environment.

The broken lines depict portions of an attachable smartphone camera in which the design is embodied that form no part of the claimed design. The broken lines showing a smartphone in FIGS. 11-13 represent environmental structure and form no part of the claimed design.

1 Claim, 3 Drawing Sheets



(58) **Field of Classification Search**

USPC 359/554, 826-828; 396/72, 282, 287,
396/291, 296, 529-532, 535, 539-541,
396/544
CPC G03B 17/02; G03B 19/04; G03B 17/56;
G03B 17/04; G03B 15/03; G03B 17/14;
H04N 5/2251; H04N 5/2252; H04N
5/2253; H04N 5/2254

See application file for complete search history.

2012/0270599 A1 10/2012 Mori et al.
2012/0282977 A1 11/2012 Haleluk
2013/0002939 A1 1/2013 O'Neill
2013/0178245 A1 7/2013 Kulas
2013/0222668 A1 8/2013 Anderson
2013/0331148 A1 12/2013 Brough
2014/0132781 A1 5/2014 Adams et al.
2014/0232930 A1 8/2014 Anderson

(56) **References Cited**

U.S. PATENT DOCUMENTS

D465,504 S * 11/2002 Van Klinken D16/203
D480,741 S * 10/2003 Berger D16/202
D504,904 S * 5/2005 Nagai D16/203
D594,047 S * 6/2009 Lee D16/202
D614,223 S * 4/2010 Kim D16/202
8,041,201 B2 10/2011 Eromaki et al.
D668,283 S * 10/2012 Ohno D16/203
D692,042 S * 10/2013 Dawes D16/203
D692,939 S * 11/2013 Huang D16/218
D733,780 S * 7/2015 Chen D16/202
D744,572 S * 12/2015 Tabuchi D16/218
2004/0009789 A1 1/2004 Park et al.
2004/0041911 A1 3/2004 Odagiri et al.
2007/0280677 A1 12/2007 Drake et al.
2010/0255875 A1 10/2010 Oozeki

FOREIGN PATENT DOCUMENTS

EP 145 5505 A1 9/2004
JP H 101 3561 A 1/1998
JP 2006-157398 A 6/2006
JP 2007-312297 A 11/2007

OTHER PUBLICATIONS

Yam, Sony Lens Attachments Turns Smartphone Into Serious Camera, Tom's Guide US, Sep. 4, 2013 (Retrieved from <http://www.tomsguide.com/us/sony-qx10-qx100-camera-smartphones,news-17486.html> on Jan. 22, 2014) (7pages).
Invitation to Pay Additional Fees/Partial International Search for Application No. PCT/IB2014/001541, issued Dec. 12, 2014 (7 pages).
International Search Report and Written Opinion for Application No. PCT/IB2014/001541, issued Mar. 5, 2015 (17 pages).

* cited by examiner

FIG. 1

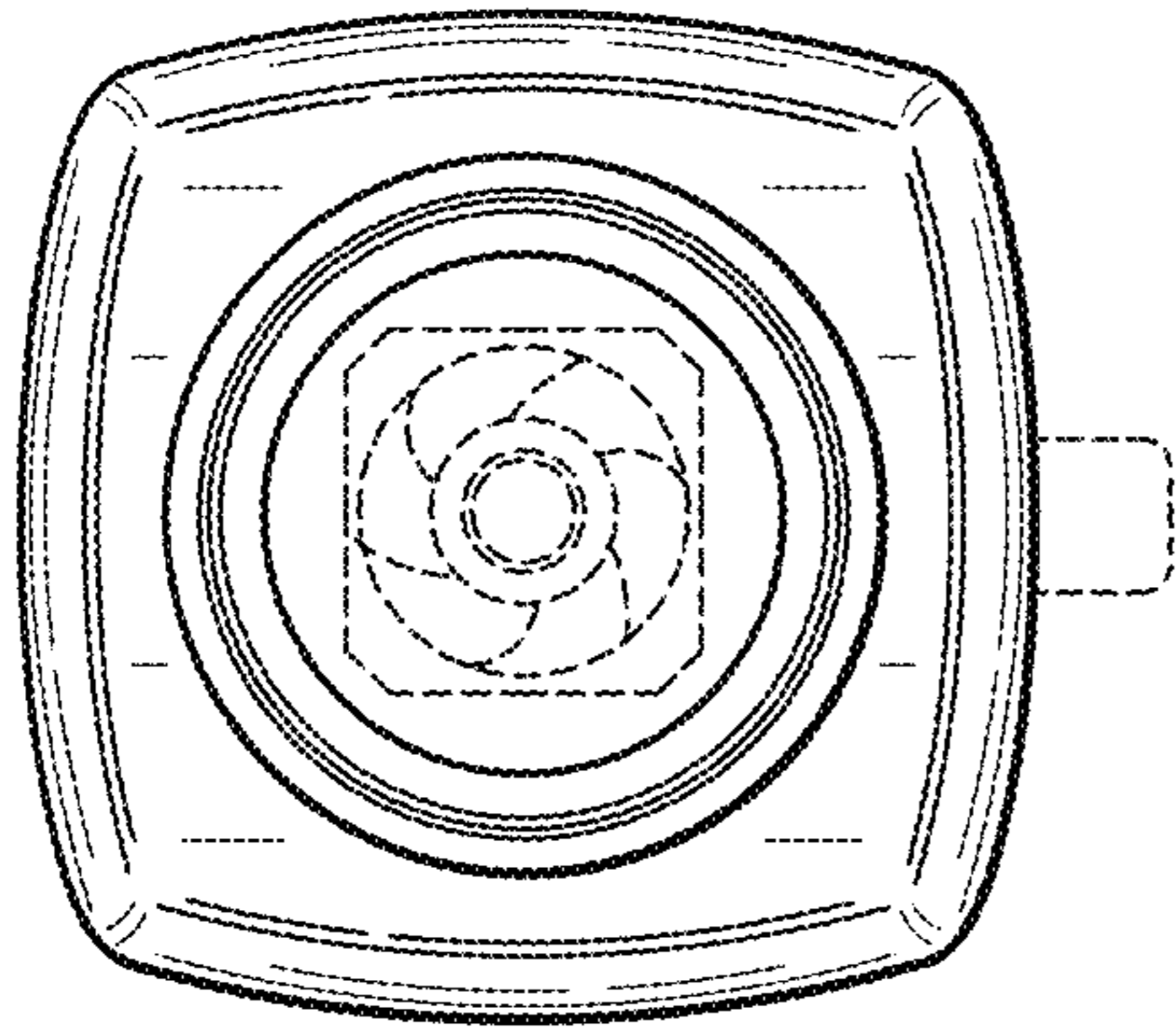


FIG. 2

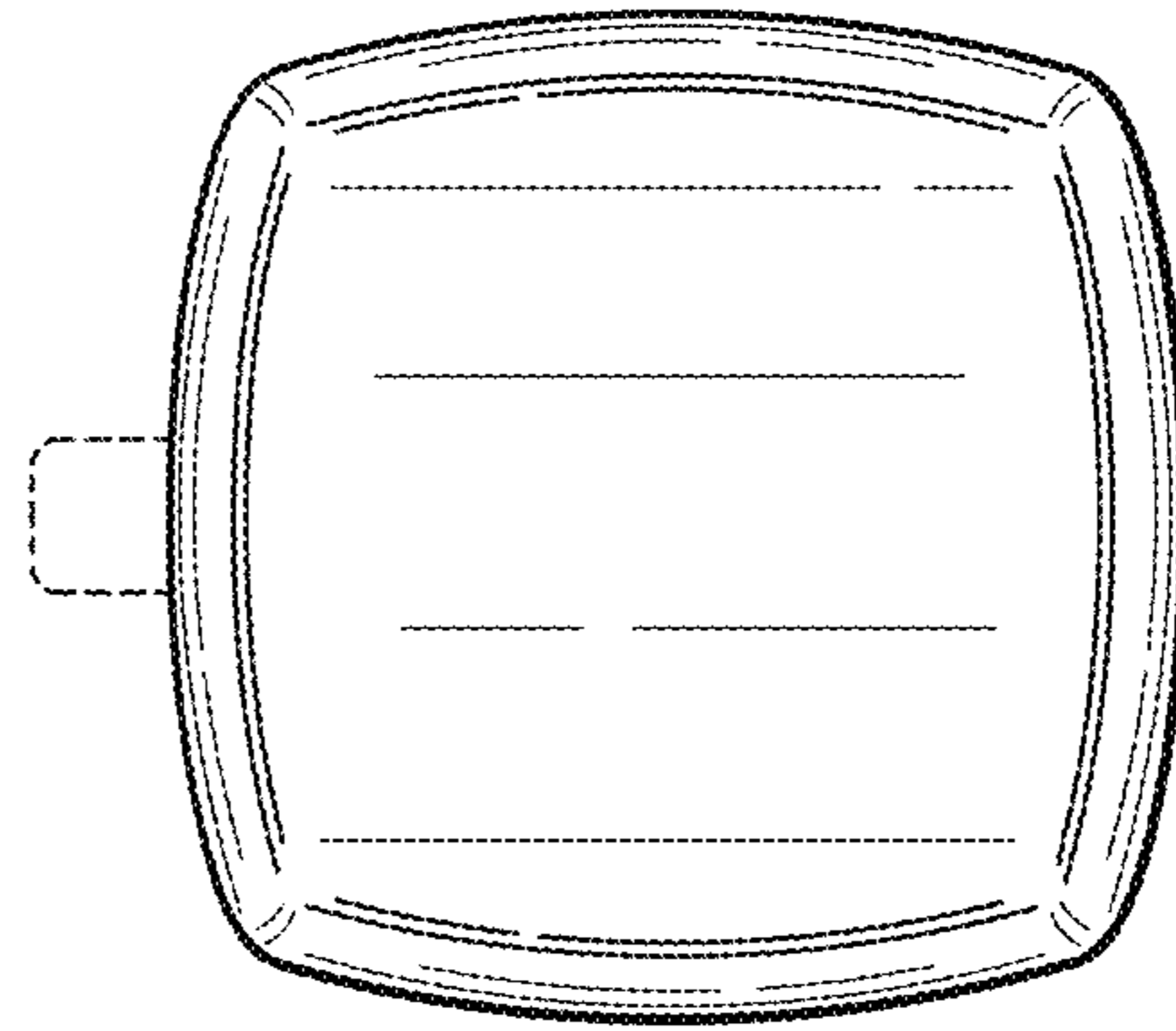


FIG. 3

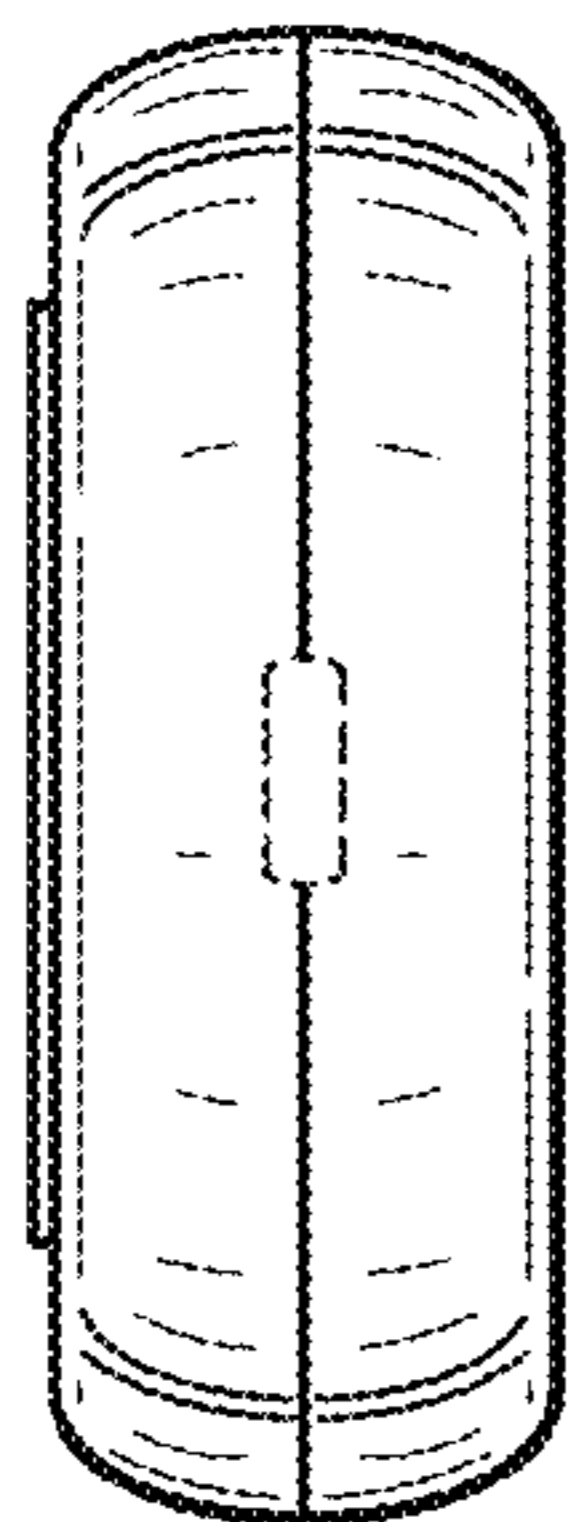


FIG. 4

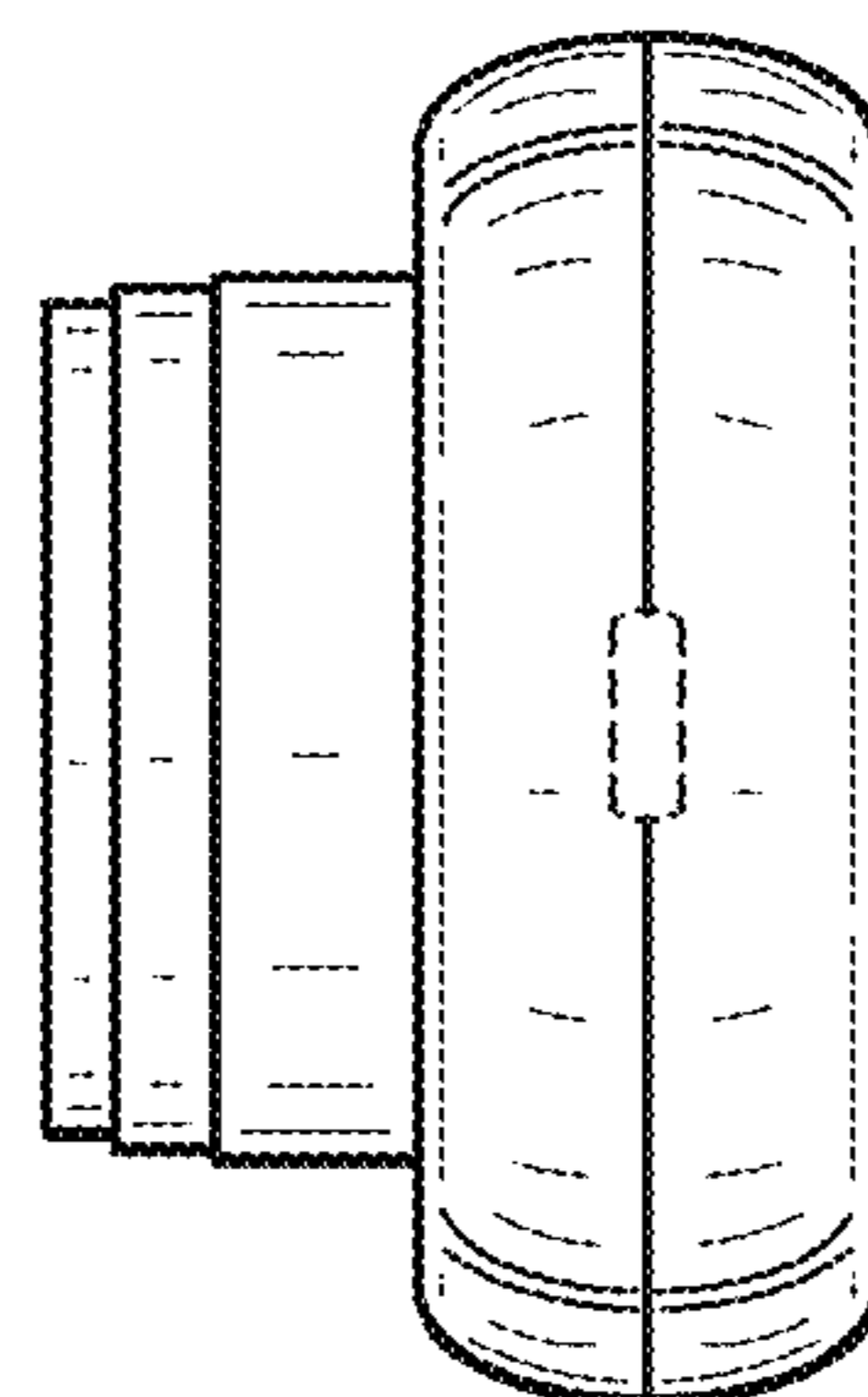


FIG. 5

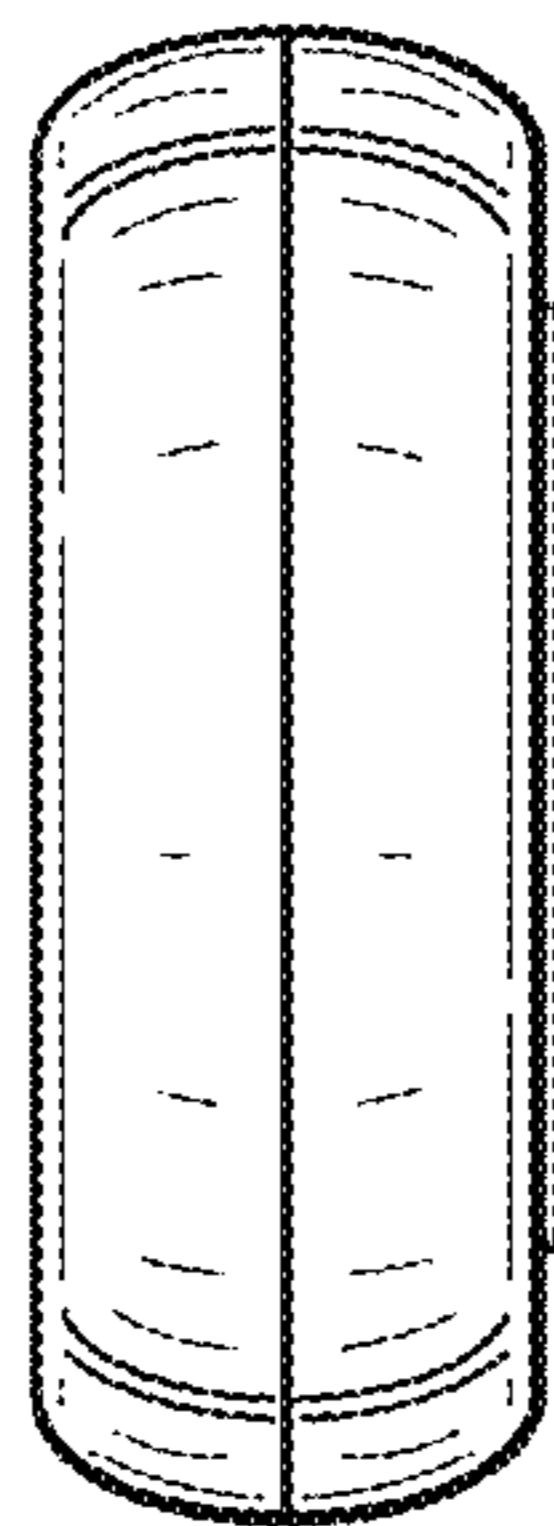


FIG. 6

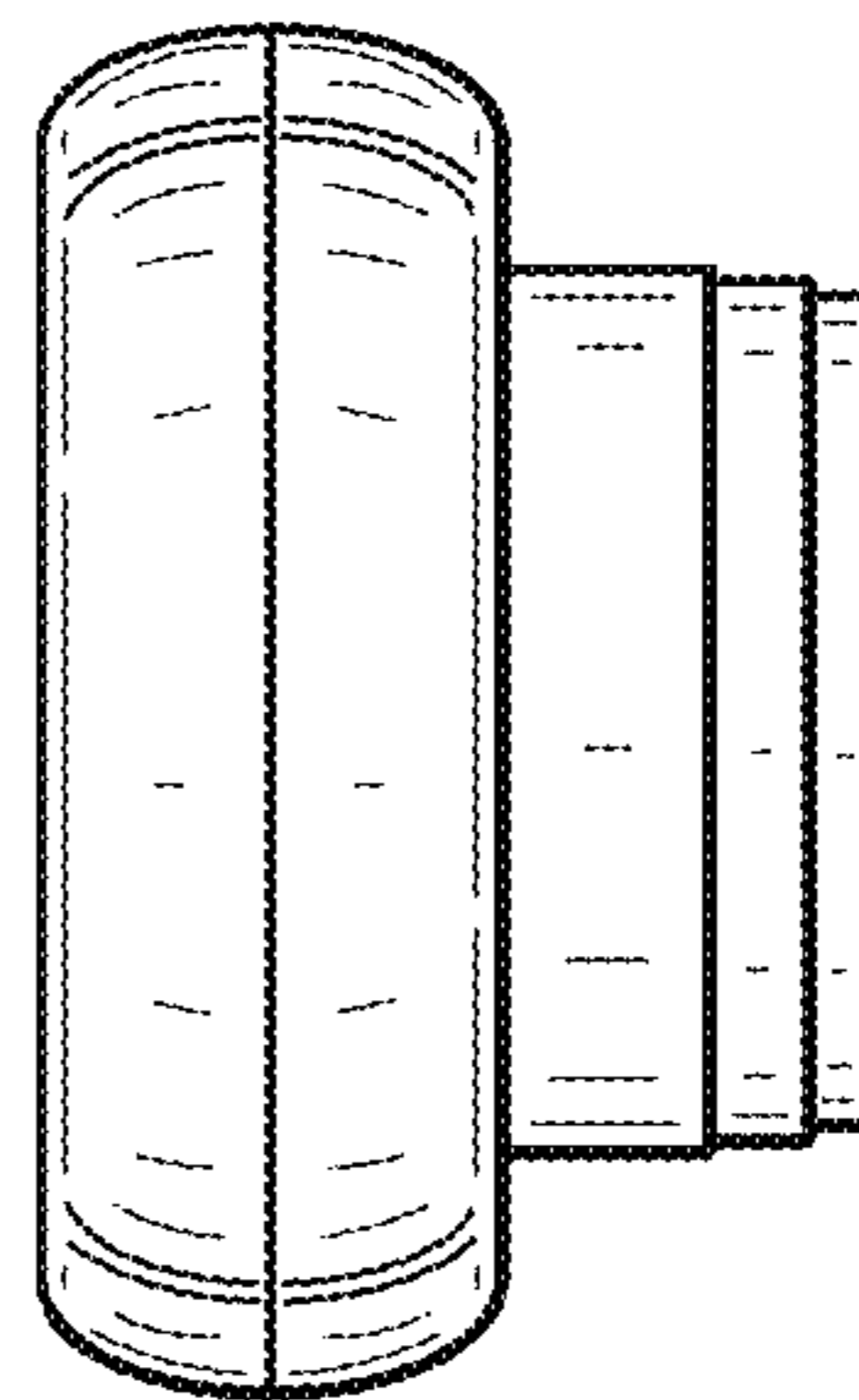


FIG. 7

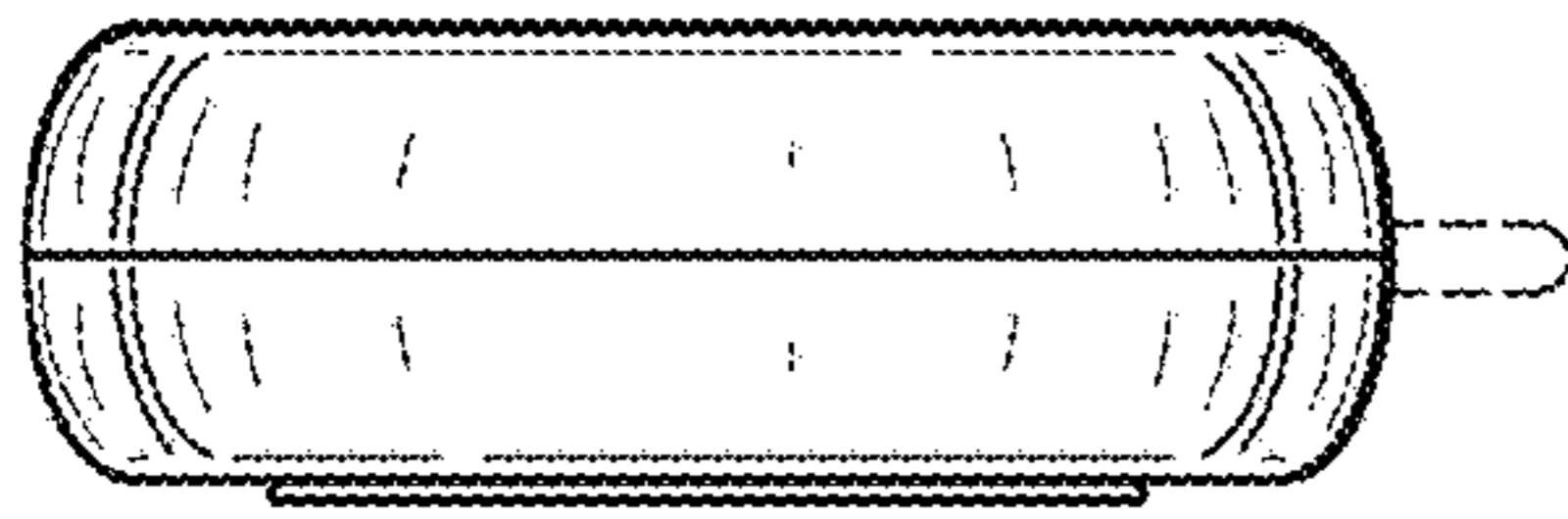


FIG. 8

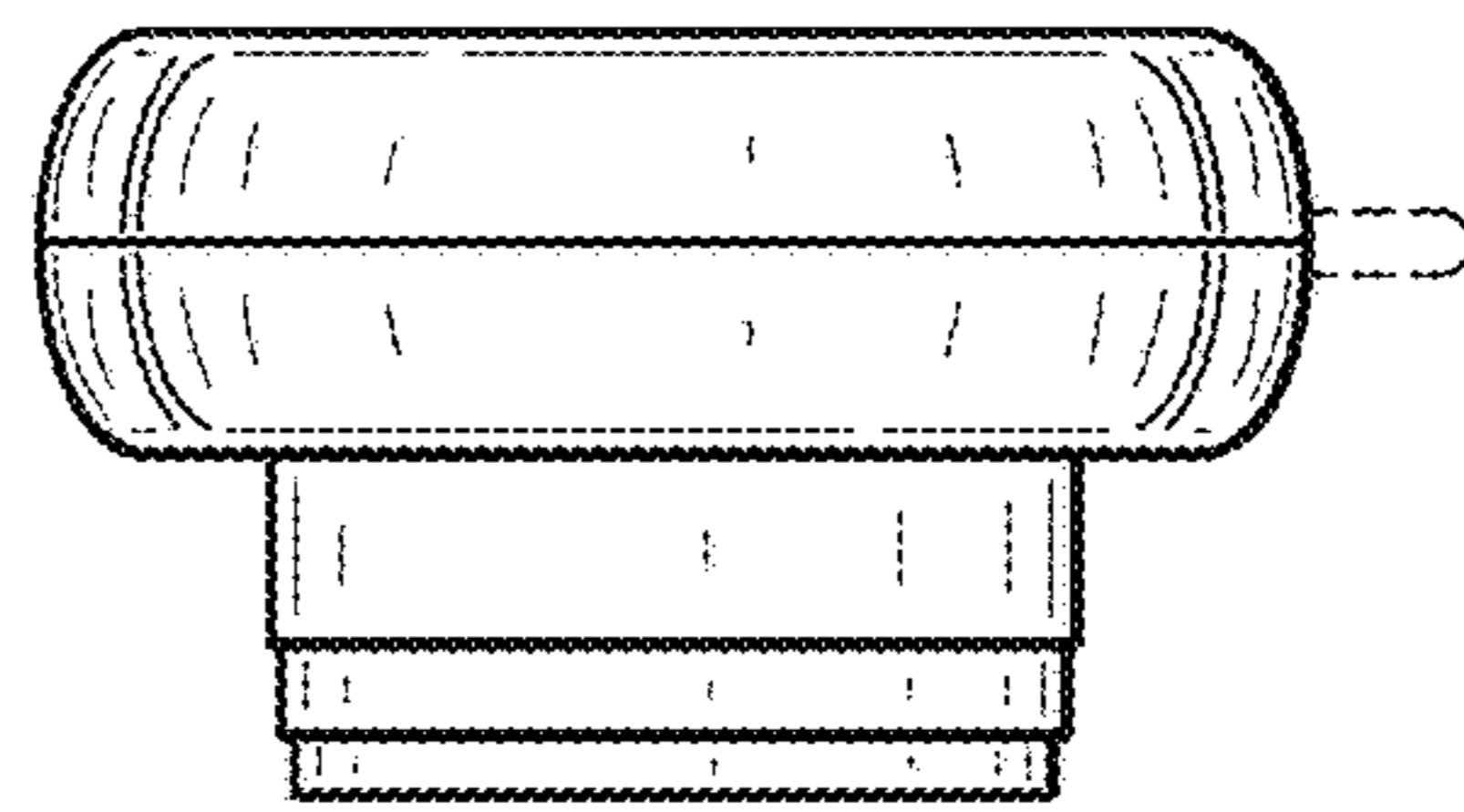


FIG. 9

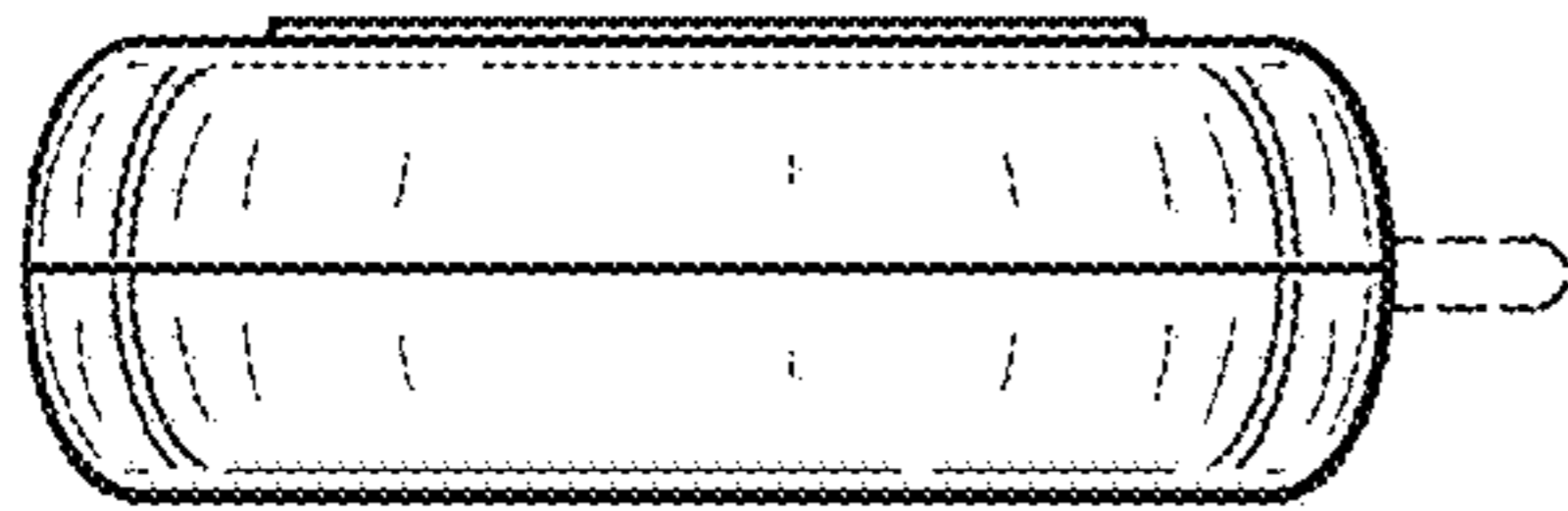


FIG. 10

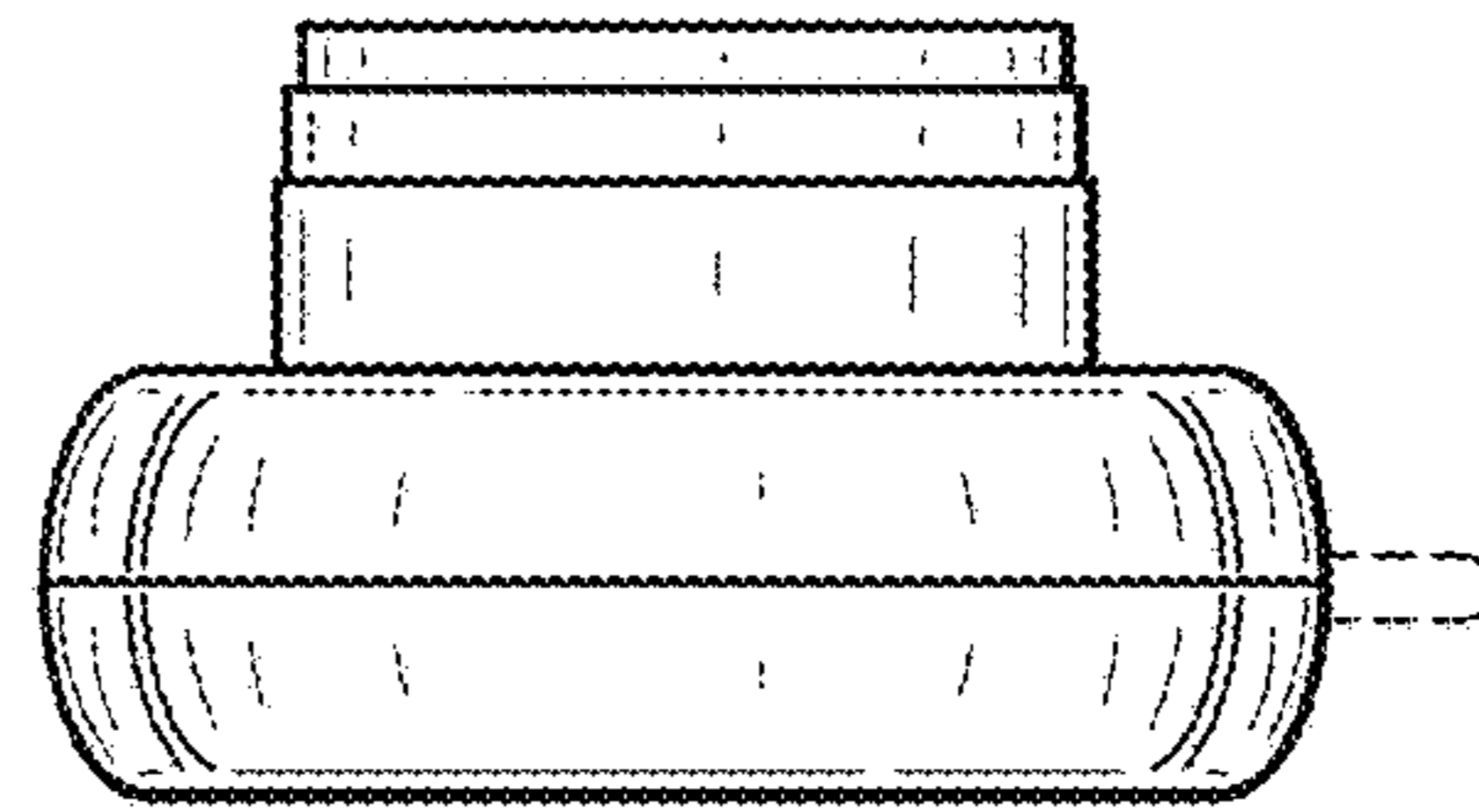


FIG. 11

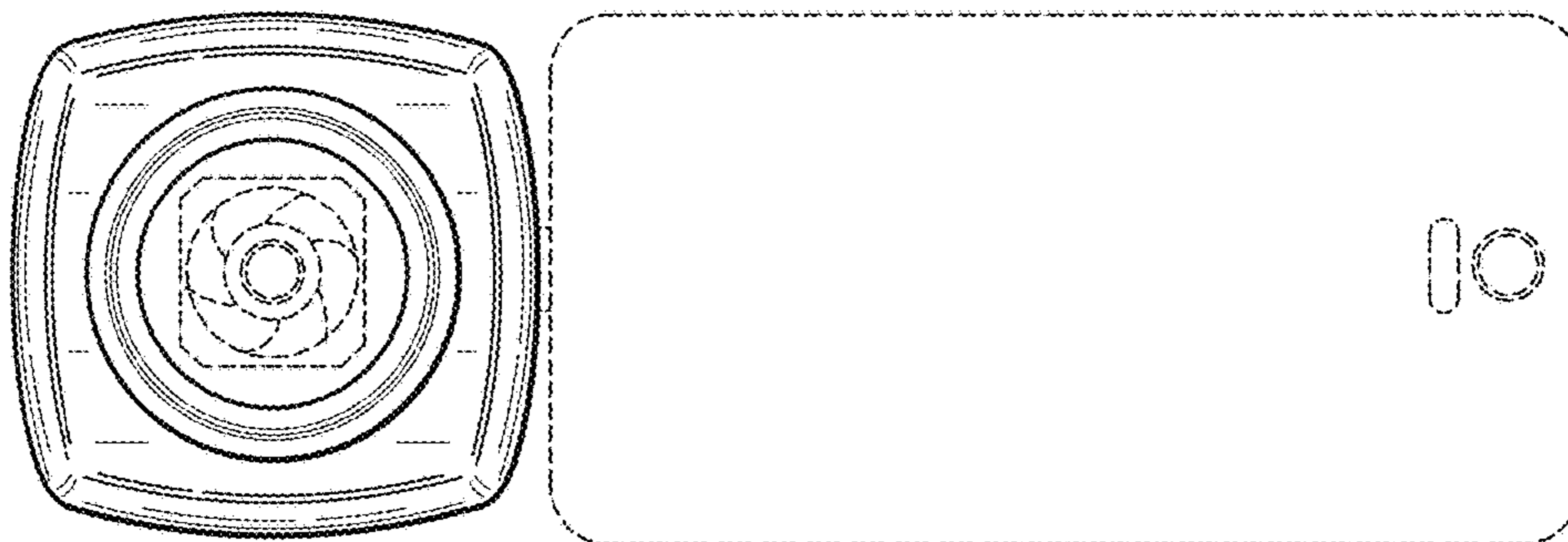


FIG. 12

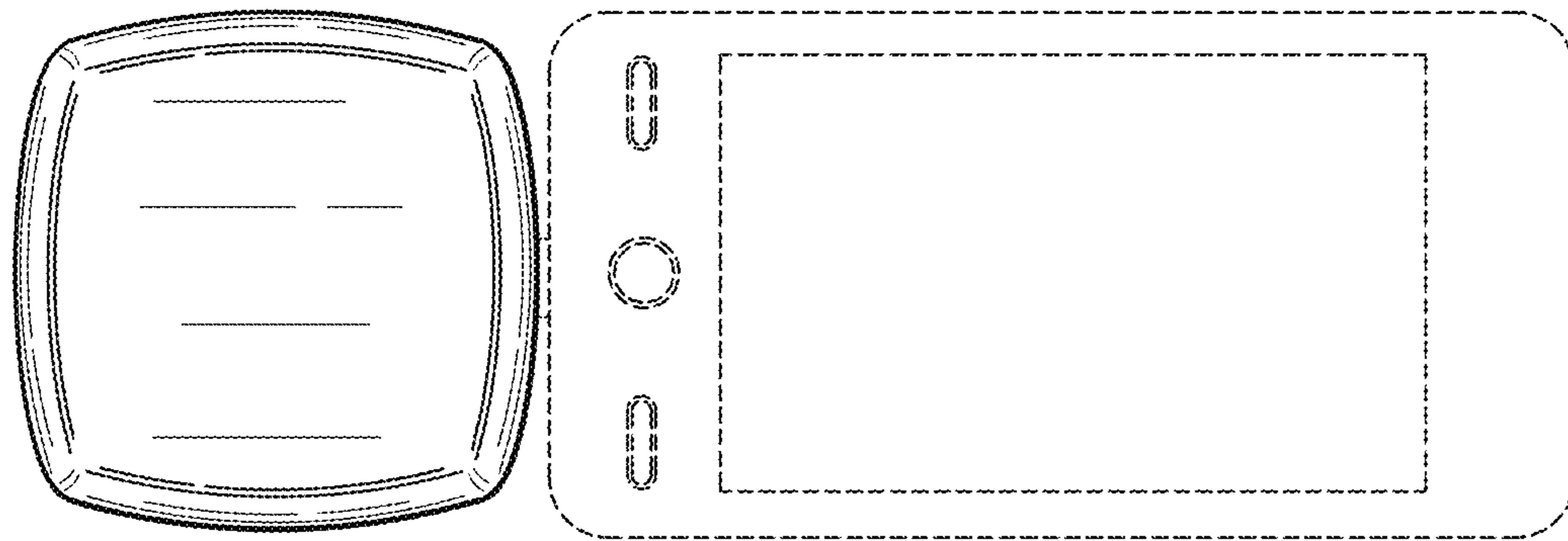


FIG. 13

