



US00D792495S

(12) **United States Design Patent**  
**Matsuda**

(10) **Patent No.:** **US D792,495 S**  
(45) **Date of Patent:** **\*\* Jul. 18, 2017**

(54) **ROBOT**  
(71) Applicant: **Yoshihiro Matsuda**, Seto (JP)  
(72) Inventor: **Yoshihiro Matsuda**, Seto (JP)  
(73) Assignee: **Toyota Jidosha Kabushiki Kaisha** (JP)  
(\*\*) Term: **15 Years**  
(21) Appl. No.: **29/547,950**  
(22) Filed: **Dec. 9, 2015**

8,537,346 B2 \* 9/2013 Nakagiri ..... B25J 9/1692  
356/139.07  
8,606,398 B2 \* 12/2013 Eakins ..... B25J 9/1687  
700/117  
D711,061 S \* 8/2014 Chen ..... D34/29  
9,043,024 B2 \* 5/2015 Chiu ..... B25J 9/1692  
318/568.22  
D741,387 S \* 10/2015 Parrot ..... D15/140  
9,283,966 B2 \* 3/2016 Choi ..... B60T 8/172  
D754,227 S \* 4/2016 Parrot ..... D15/140  
D755,268 S \* 5/2016 Parrot ..... D15/140  
D757,144 S \* 5/2016 Parrot ..... D15/199  
9,346,175 B2 \* 5/2016 Krumbacher ..... B25J 18/06  
2008/0016979 A1 \* 1/2008 Yasumura ..... B25J 9/0009  
74/490.03

(30) **Foreign Application Priority Data**  
Jul. 9, 2015 (JP) ..... 2015-015311  
(51) **LOC (10) Cl.** ..... **15-99**  
(52) **U.S. Cl.**  
USPC ..... **D15/199**  
(58) **Field of Classification Search**  
USPC ..... D15/199; D21/578-583, 621, 622  
CPC ..... B25J 9/044; B25J 9/102; Y10T 74/20305  
See application file for complete search history.

(Continued)

**OTHER PUBLICATIONS**

Fetch and Freight, Fetch Robotics, Fetchrobotics.com <<http://fetchrobotics.com/>>, available at least as early as Jul. 6, 2015.

(Continued)

*Primary Examiner* — Patricia Palasik  
(74) *Attorney, Agent, or Firm* — Saidman DesignLaw Group, LLC

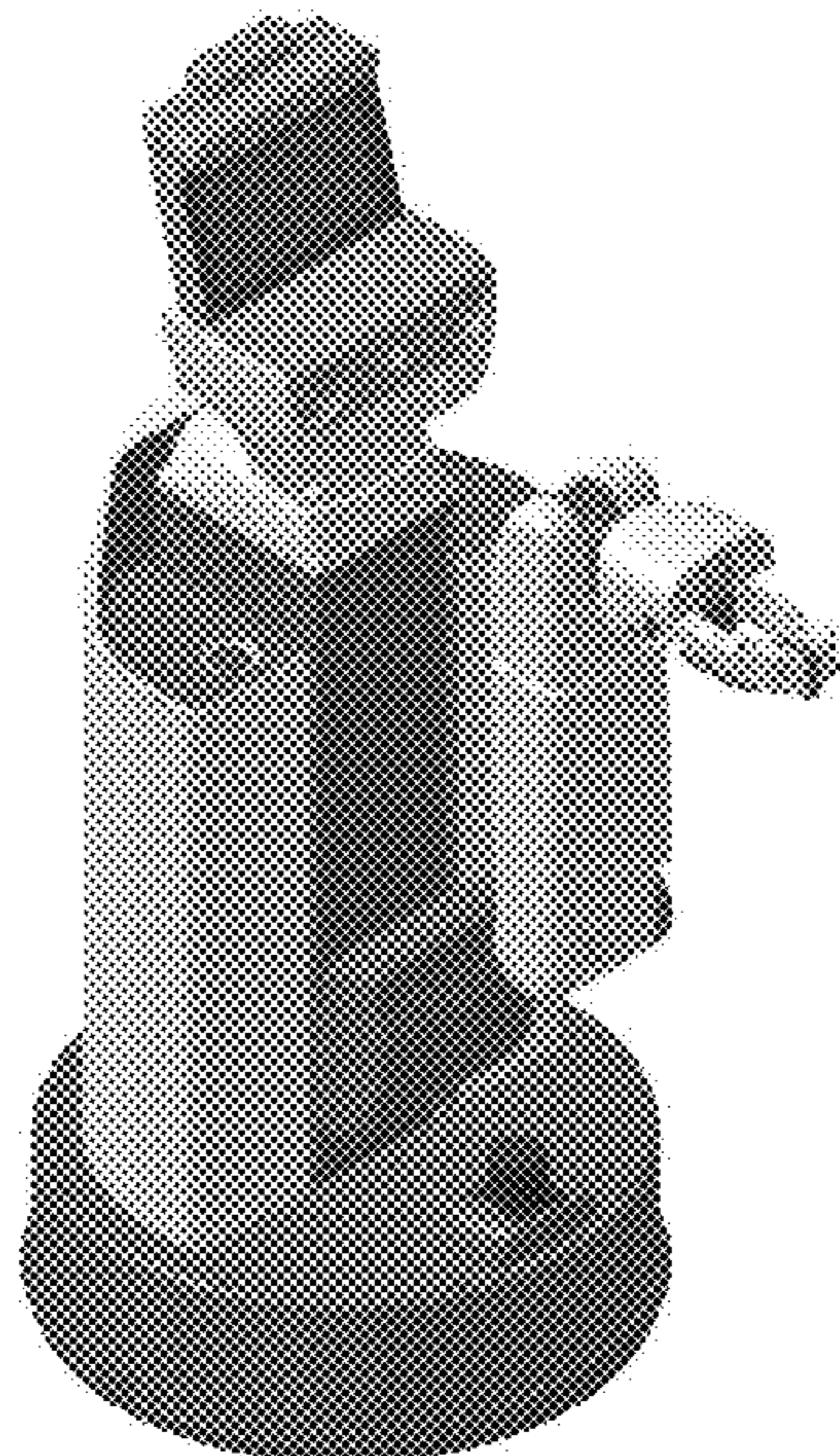
(56) **References Cited**  
**U.S. PATENT DOCUMENTS**  
D440,241 S \* 4/2001 Kawahara ..... D15/199  
D460,503 S \* 7/2002 Koshiishi ..... D21/578  
D509,268 S \* 9/2005 Robinson ..... D21/578  
D553,655 S \* 10/2007 Jennings ..... D15/199  
D566,737 S \* 4/2008 Matsuda ..... D15/199  
D572,739 S \* 7/2008 Jennings ..... D15/199  
D622,299 S \* 8/2010 Liu ..... D15/199  
D622,747 S \* 8/2010 Kobayashi ..... D15/199  
D625,347 S \* 10/2010 Feng ..... D15/199  
D646,703 S \* 10/2011 Wong ..... D15/199  
D655,324 S \* 3/2012 Wong ..... D15/199  
8,393,243 B2 \* 3/2013 Ono ..... B25J 9/042  
414/680

(57) **CLAIM**  
The ornamental design for a robot, as shown and described.

**DESCRIPTION**

FIG. 1 is a perspective view of a robot showing my new design;  
FIG. 2 is a front view thereof;  
FIG. 3 is a rear view thereof;  
FIG. 4 is a top view thereof;  
FIG. 5 is a left side view thereof; and,  
FIG. 6 is a right side view thereof.

**1 Claim, 6 Drawing Sheets**



(56)

**References Cited**

U.S. PATENT DOCUMENTS

2011/0107867 A1\* 5/2011 Long ..... B25J 9/103  
74/490.05  
2011/0113917 A1\* 5/2011 Long ..... B25J 9/102  
74/490.03  
2011/0290059 A1\* 12/2011 Pan ..... B25J 9/101  
74/490.01  
2011/0303042 A1\* 12/2011 Pan ..... B25J 9/0009  
74/490.05  
2013/0060383 A1\* 3/2013 Jeong ..... B25J 9/045  
700/261  
2013/0125691 A1\* 5/2013 Wappling ..... B25J 19/0062  
74/467  
2013/0305866 A1\* 11/2013 Krumbacher ..... B25J 18/06  
74/490.03  
2014/0102240 A1\* 4/2014 Inada ..... B25J 17/0283  
74/490.02  
2015/0246449 A1\* 9/2015 Sakai ..... B25J 19/0025  
74/490.02  
2016/0114480 A1\* 4/2016 Krumbacher ..... B25J 9/046  
74/490.03

OTHER PUBLICATIONS

Tiago, Pal Robotics, [Tiago.pal-robotics.com](http://www.tiago.pal-robotics.com) <<http://www.tiago.pal-robotics.com/en/>>, available at least as early as Jul. 6, 2015.

\* cited by examiner



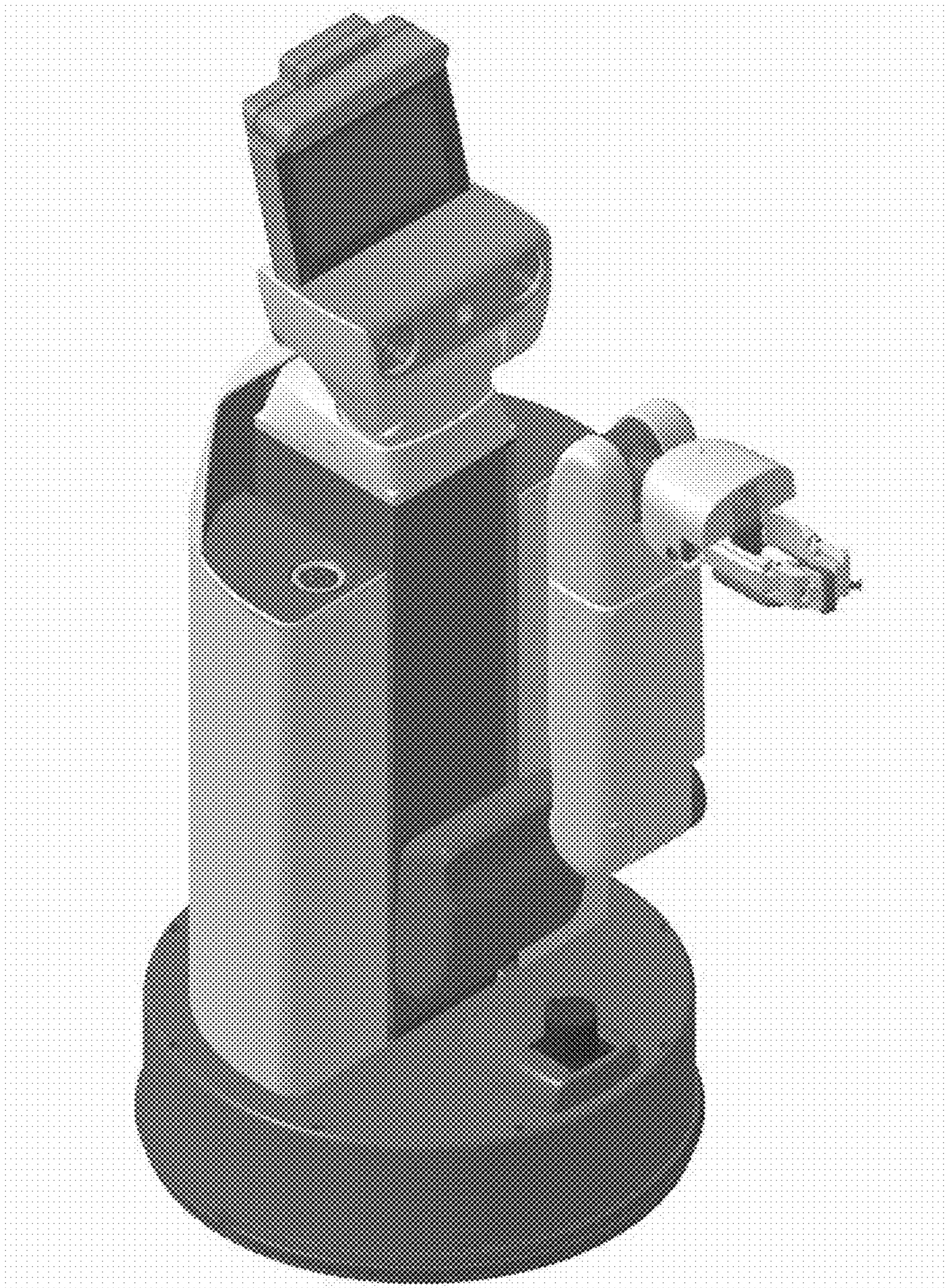


FIG. 1



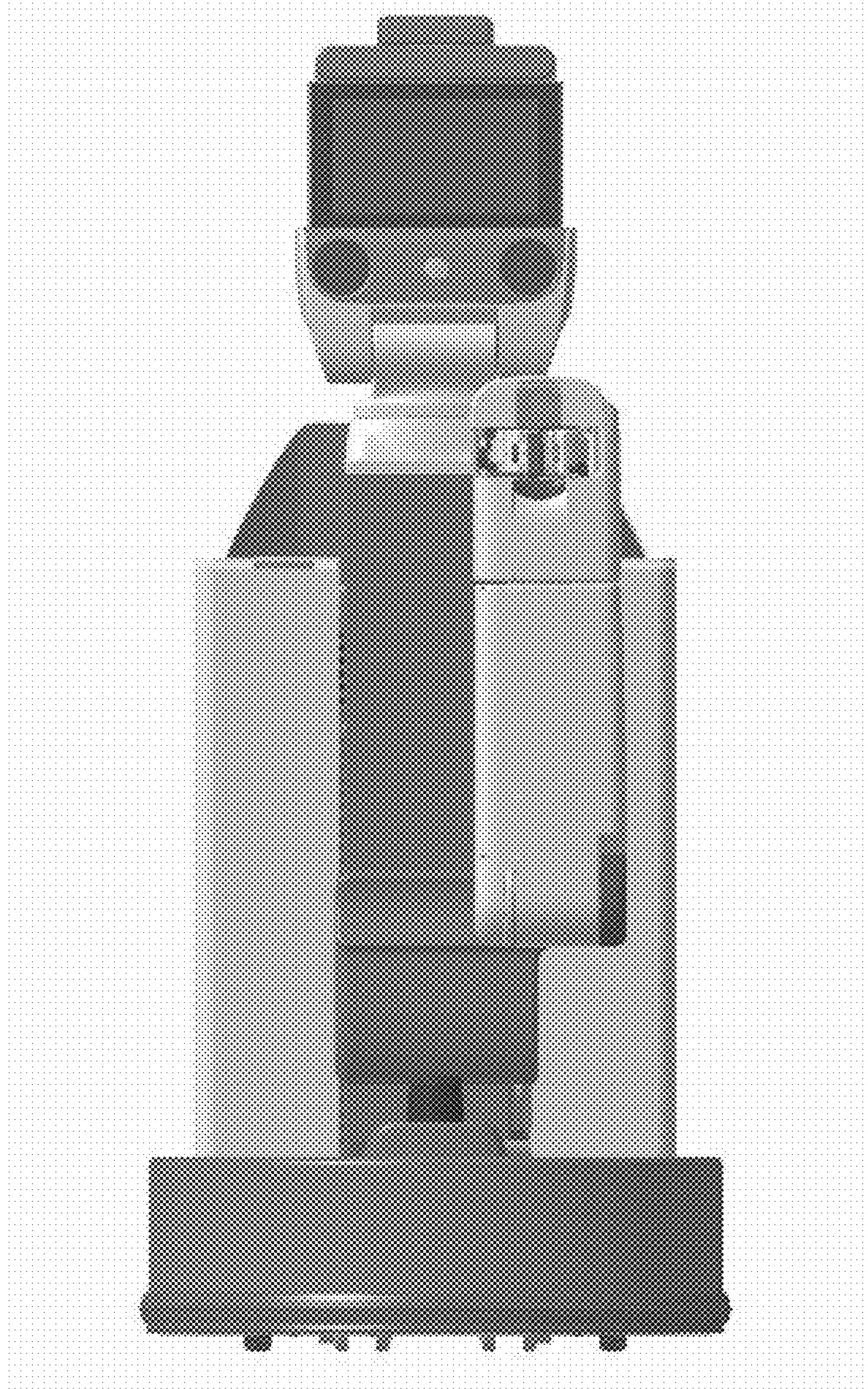


FIG. 2





FIG. 3

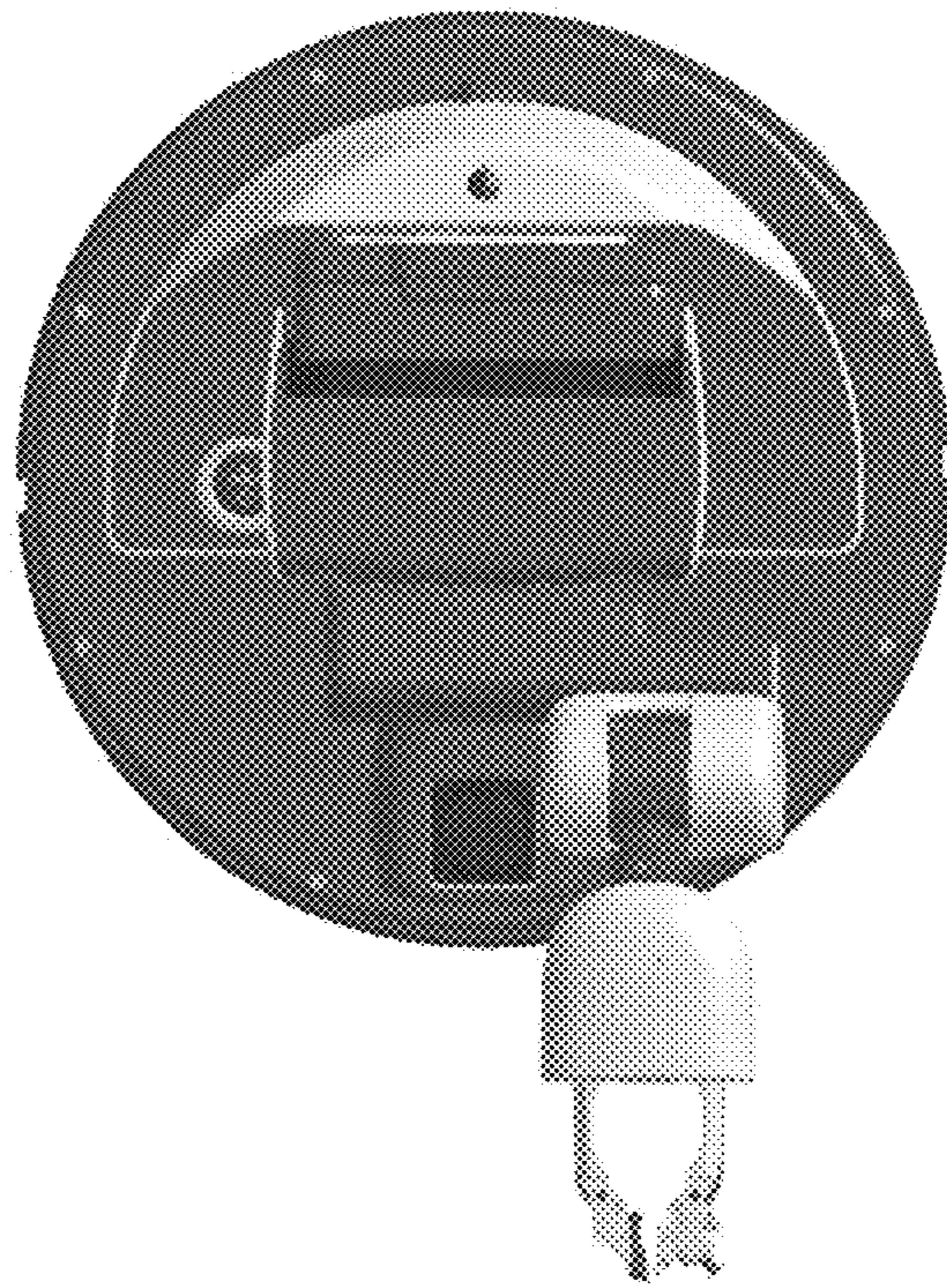


FIG. 4



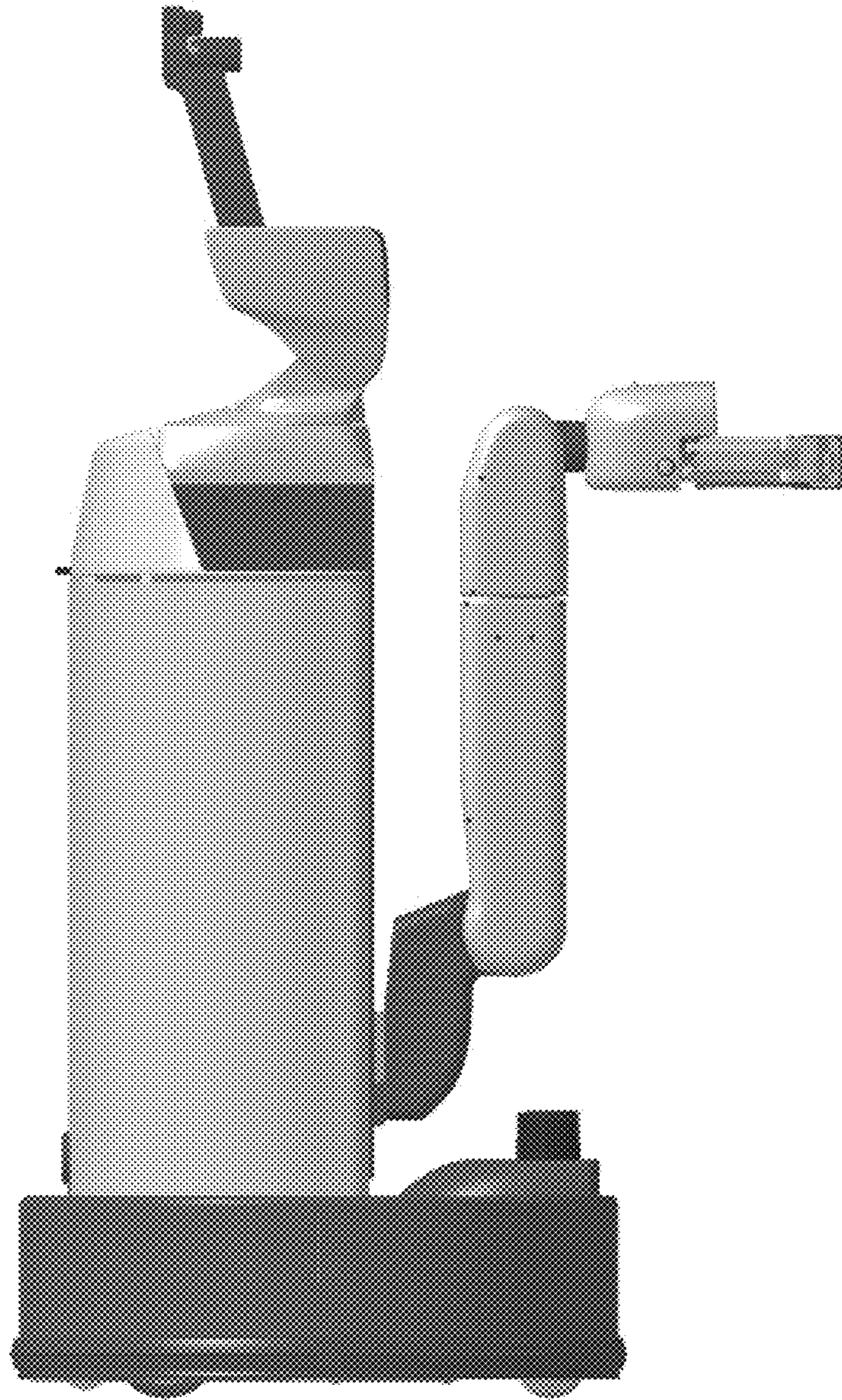


FIG. 5

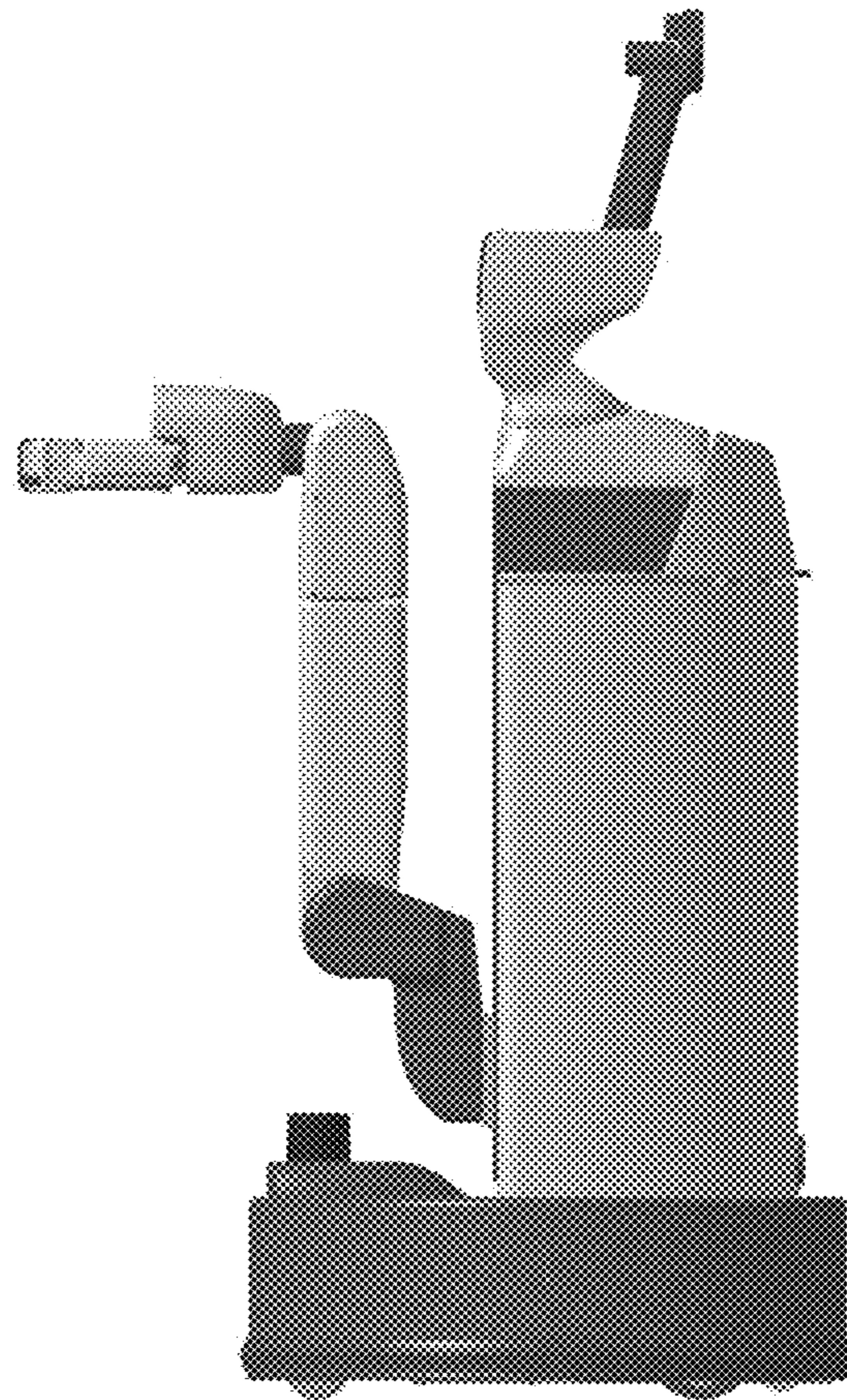


FIG. 6