



US00D792492S

(12) **United States Design Patent** (10) **Patent No.:** **US D792,492 S**
Lin (45) **Date of Patent:** **** Jul. 18, 2017**

(54) **LINEAR ACTUATOR**

FOREIGN PATENT DOCUMENTS

(71) Applicant: **TIMOTION TECHNOLOGY CO., LTD.**, New Taipei (TW)

CA 2685316 A1 * 11/2008 F16H 57/032
DE 9308430 U1 * 9/1993 F16H 57/028
TW DE 202015105566 U1 * 11/2015 F16H 25/20
WO WO 9629229 A1 * 9/1996 B62D 3/123

(72) Inventor: **Yu-Chang Lin**, New Taipei (TW)

(73) Assignee: **TIMOTION TECHNOLOGY CO., LTD.**, New Taipei (TW)

OTHER PUBLICATIONS

(**) Term: **15 Years**

TiMotion TA15 Series Linear Actuators, posted on timotion.com, no posted date given, no production date given, [online], [site visted May 12, 2017], Available from Internet, <URL: <http://www.timotion.com/product.php?ProductID=41>>.*

(21) Appl. No.: **29/577,492**

(Continued)

(22) Filed: **Sep. 13, 2016**

(51) **LOC (10) Cl.** **15-09**

(52) **U.S. Cl.**
USPC **D15/143; D15/148**

Primary Examiner — Melanie H Tung
Assistant Examiner — Fritzgerald Butac

(58) **Field of Classification Search**
USPC D12/345; D13/118, 158, 162, 184;
D15/1-5, 7, 9, 143, 148, 149, 199
CPC B66F 3/18; F16H 19/04; F16H 57/039;
H01F 7/066
See application file for complete search history.

(74) *Attorney, Agent, or Firm* — Chun-Ming Shih; HDLS IPR Services

(57) **CLAIM**

The ornamental design for a linear actuator, as shown and described.

(56) **References Cited**

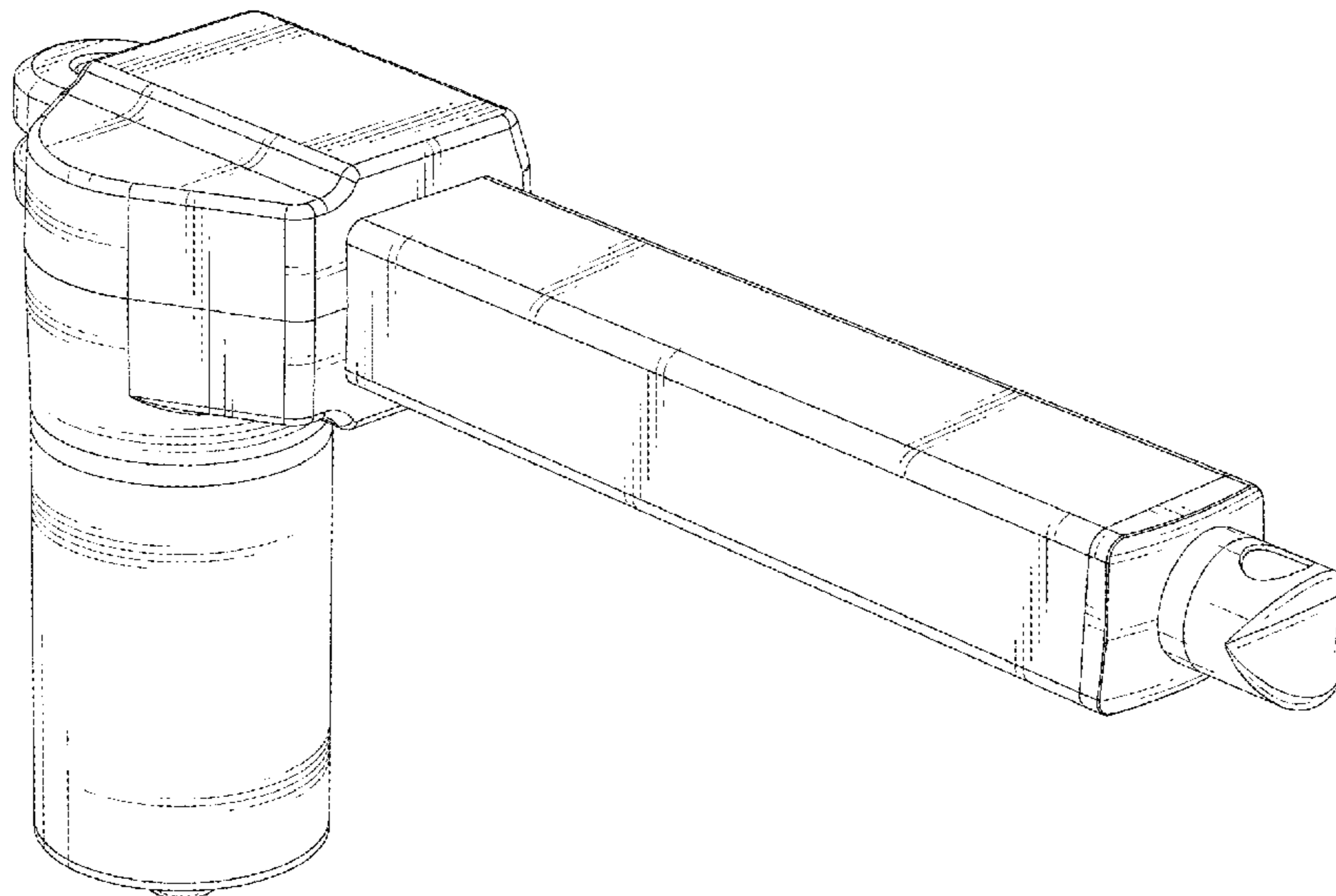
DESCRIPTION

U.S. PATENT DOCUMENTS

D458,284 S * 6/2002 Landerholm D15/143
D514,146 S * 1/2006 Haneball D15/143
D589,991 S * 4/2009 Chen D15/143
D595,752 S * 7/2009 Lin D15/143
D625,745 S * 10/2010 Chiang D15/143
D656,975 S * 4/2012 Tseng D15/143
8,448,540 B2 * 5/2013 Chiang F16H 25/20
310/20
D686,648 S * 7/2013 Wu D15/143
D767,656 S * 9/2016 Wu D15/143
D785,061 S * 4/2017 Gong D15/148
D785,062 S * 4/2017 Gong D15/148
D785,063 S * 4/2017 Gong D15/148
2016/0223062 A1 * 8/2016 Pate F16H 19/04

FIG. 1 is a perspective view of a linear actuator showing my new design;
FIG. 2 is a front view thereof;
FIG. 3 is a rear view thereof;
FIG. 4 is a left side view thereof;
FIG. 5 is a right side view thereof;
FIG. 6 is a top view thereof;
FIG. 7 is a bottom view thereof; and,
FIG. 8 is second perspective view showing the linear actuator.

1 Claim, 8 Drawing Sheets



(56)

References Cited

OTHER PUBLICATIONS

Progressive Automations Linear Actuator, posted on actuatorzone.com, no posted date given, no production date given, [online], [site visited May 12, 2017], Available from Internet, <URL: <https://www.actuatorzone.com/electric-linear-actuator#!prettyPhoto>>.*

Supertech Machinery & Electric Co., Ltd. Linear Actuator, posted on ecvv.com, no posted date given, no production date given, [online], [site visited May 12, 2017], Available from Internet, <URL: <http://www.ecvv.com/product/1410784.html>>.*

* cited by examiner

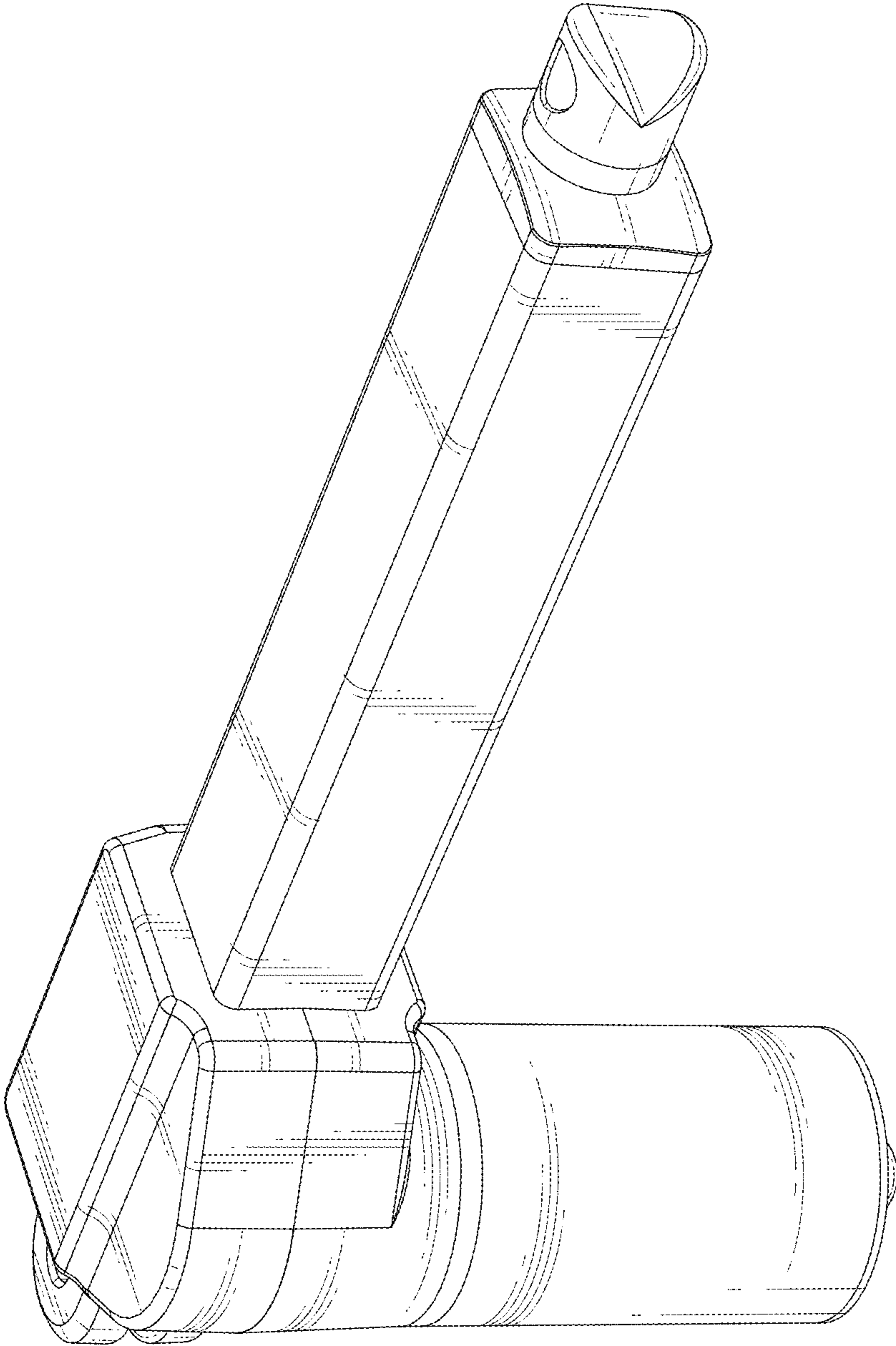


FIG. 1

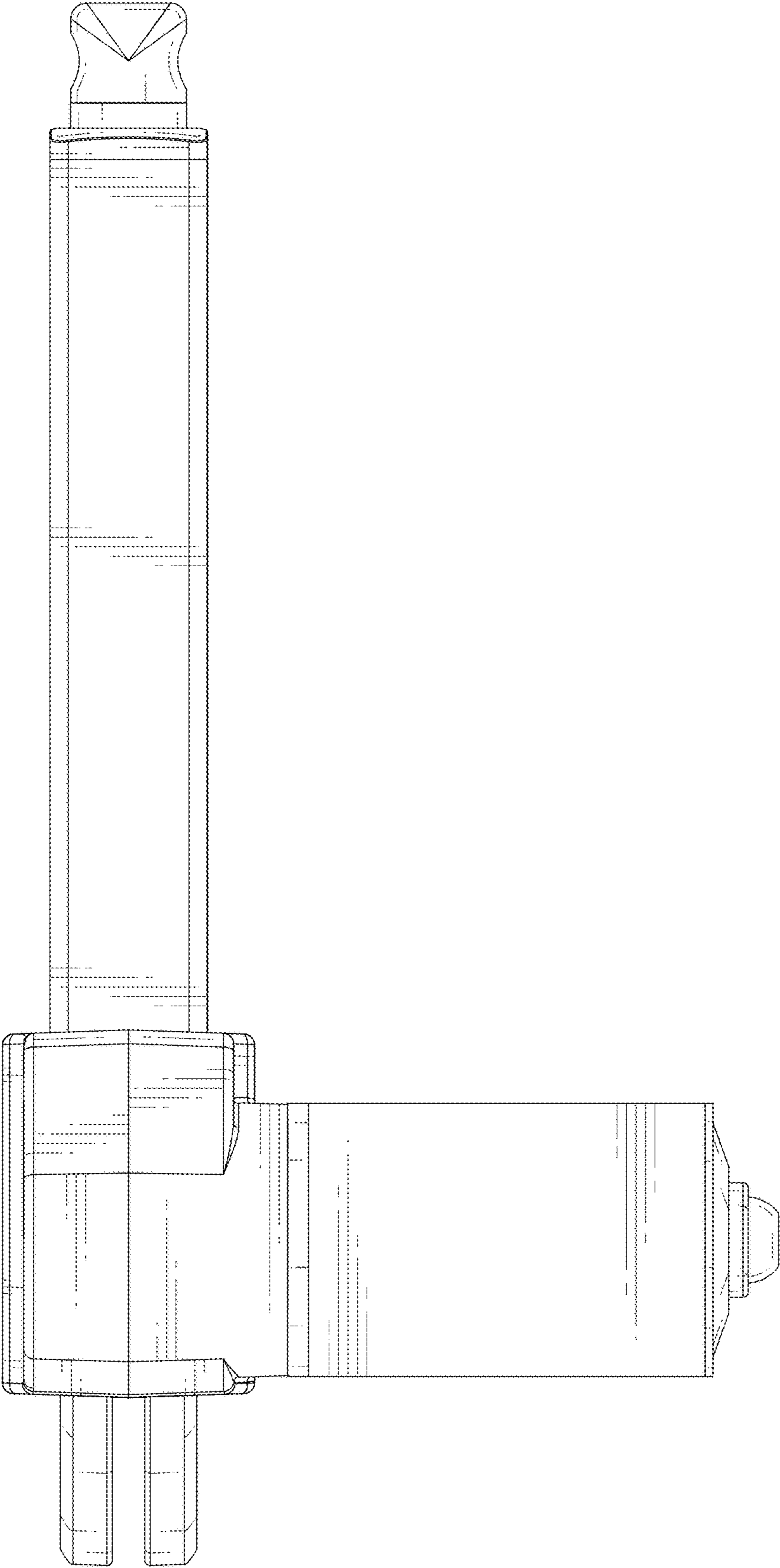


FIG. 2

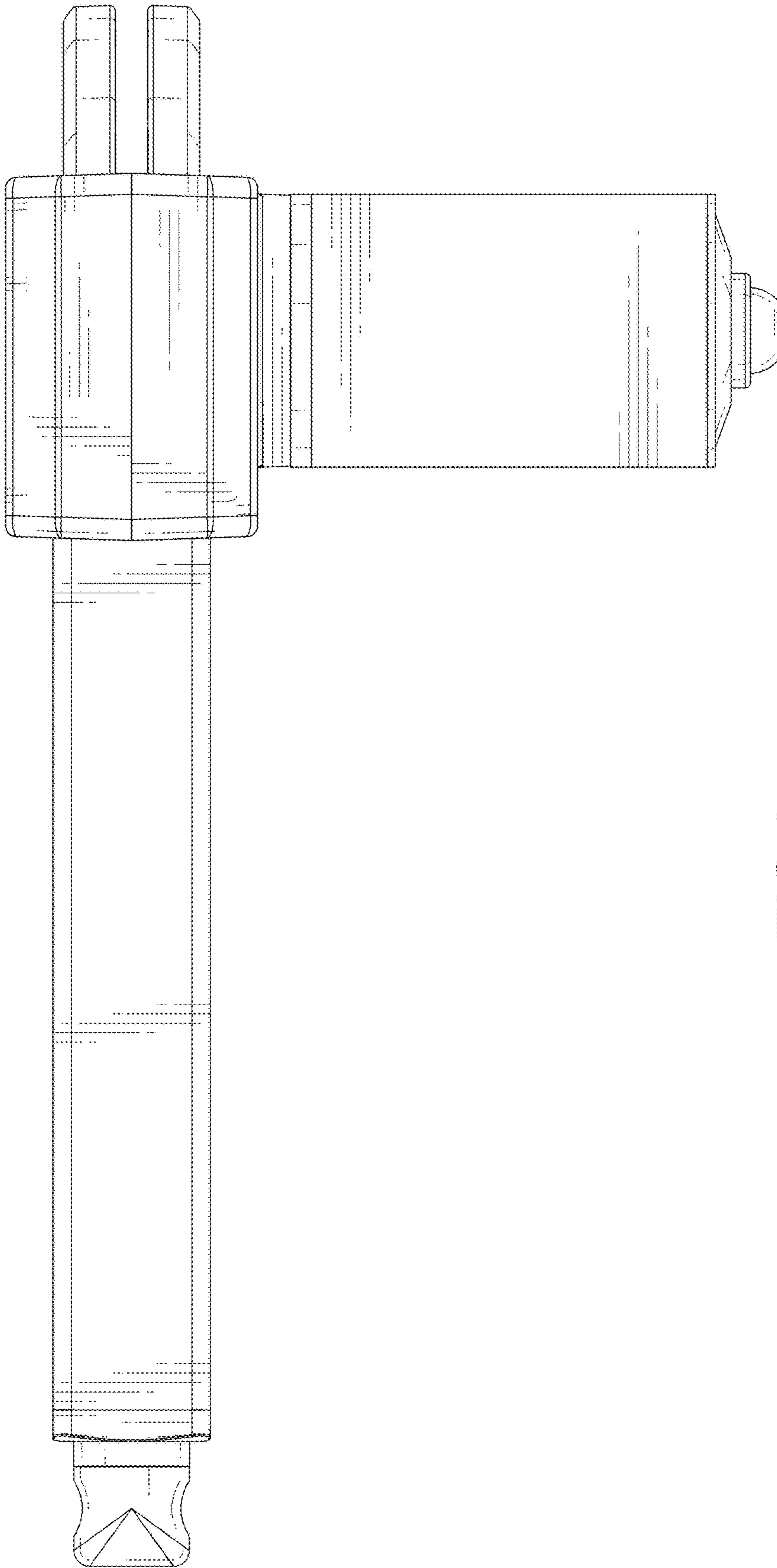


FIG.3

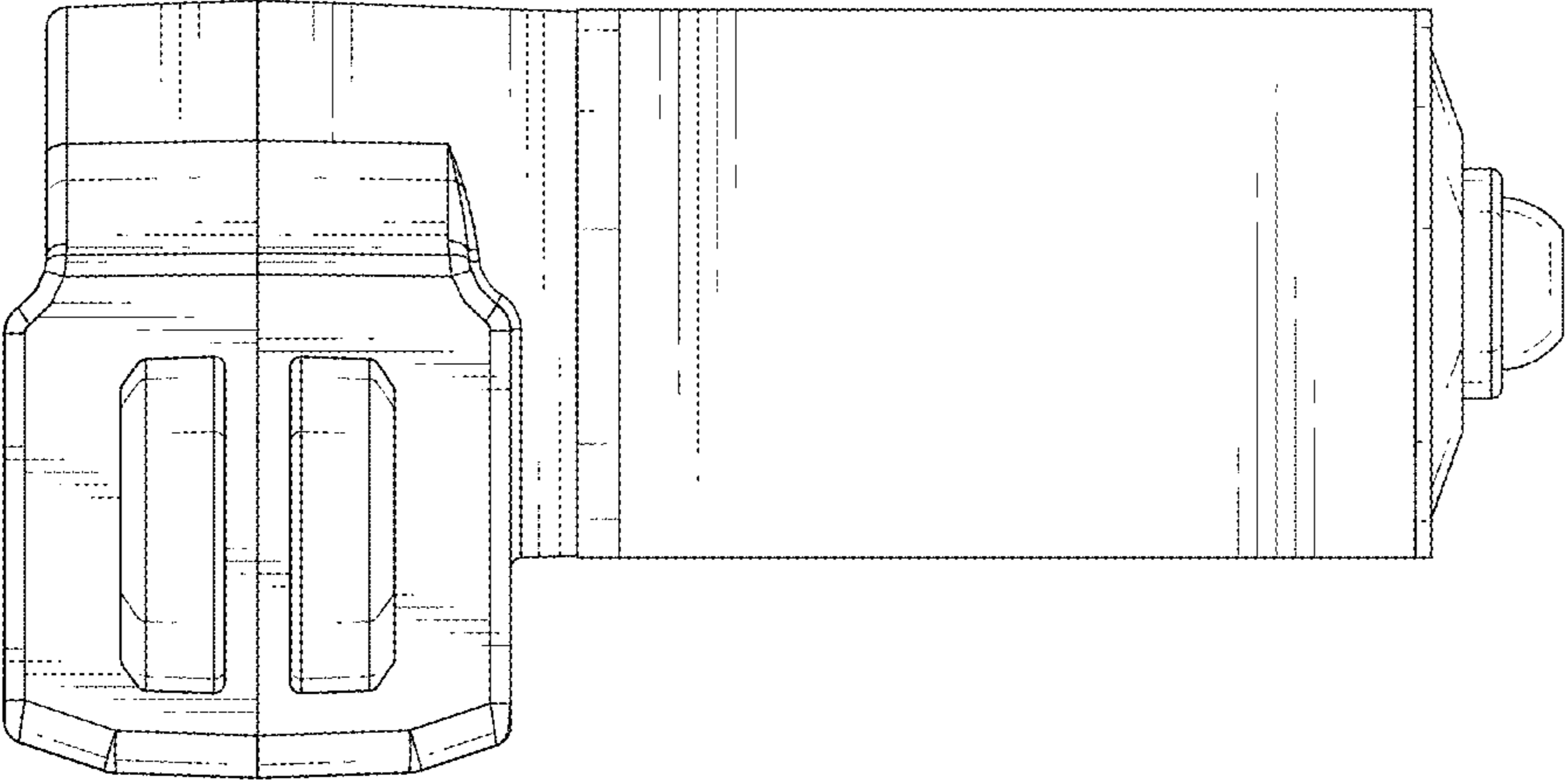


FIG.4

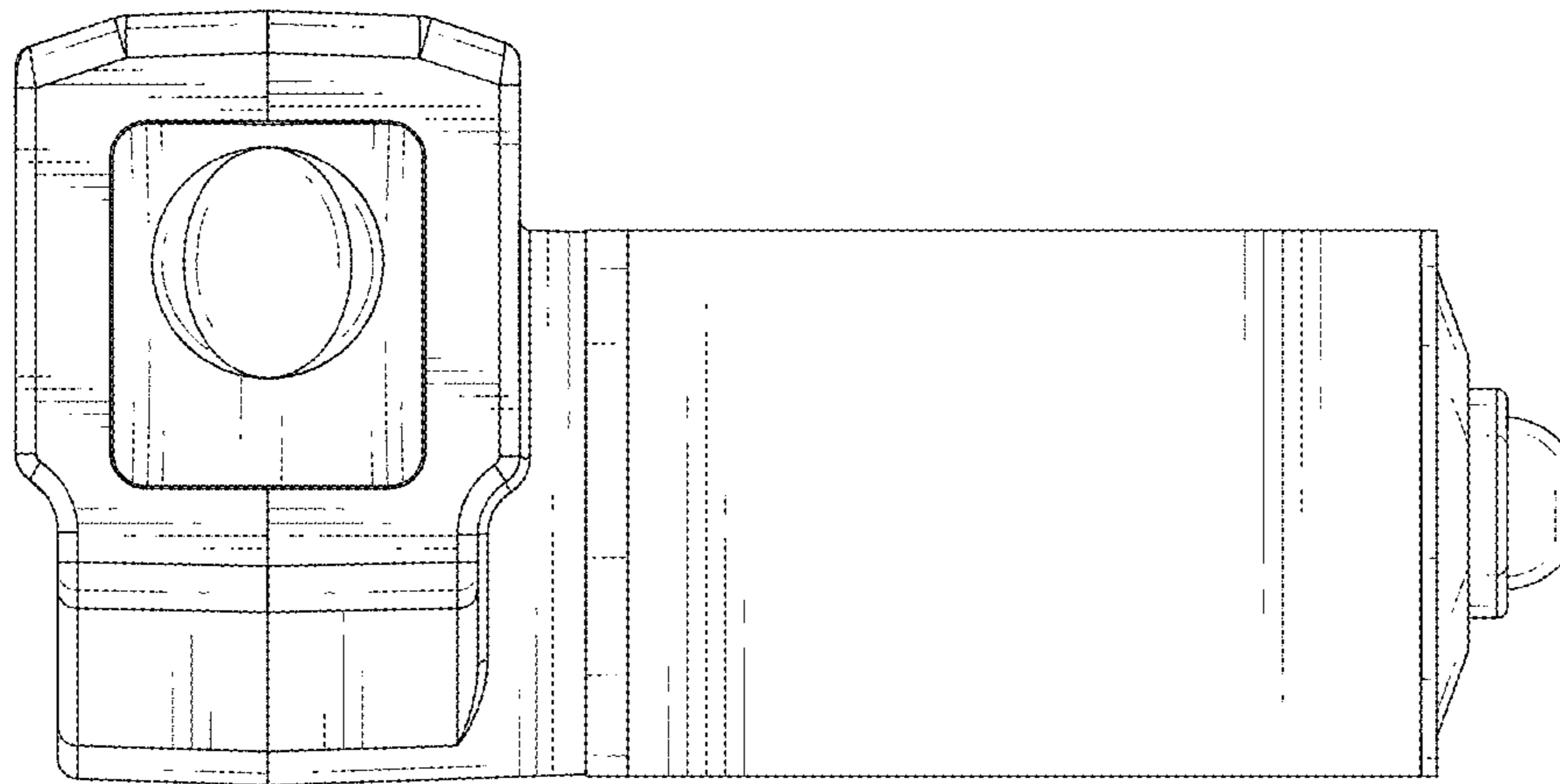


FIG. 5

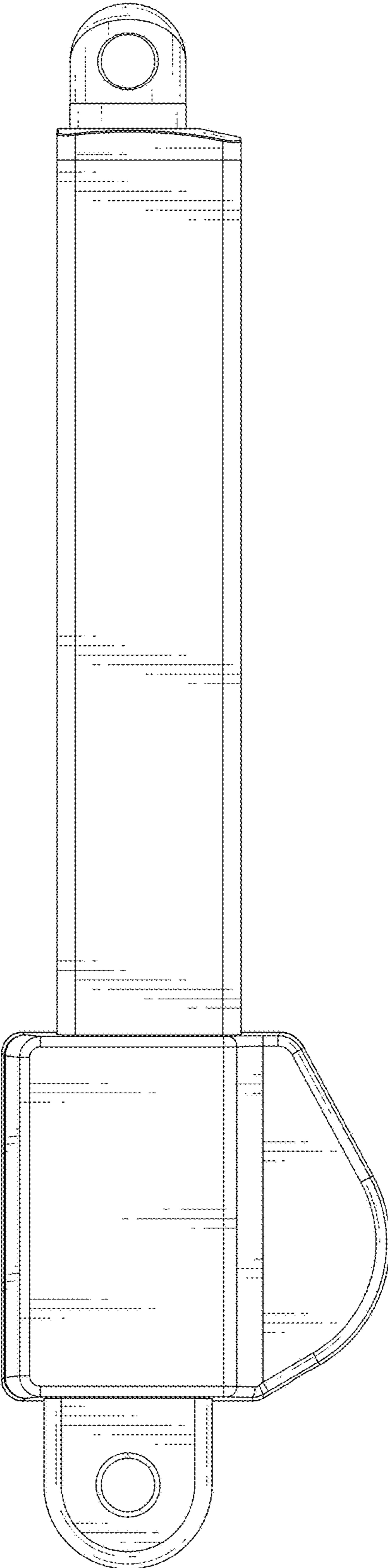


FIG.6

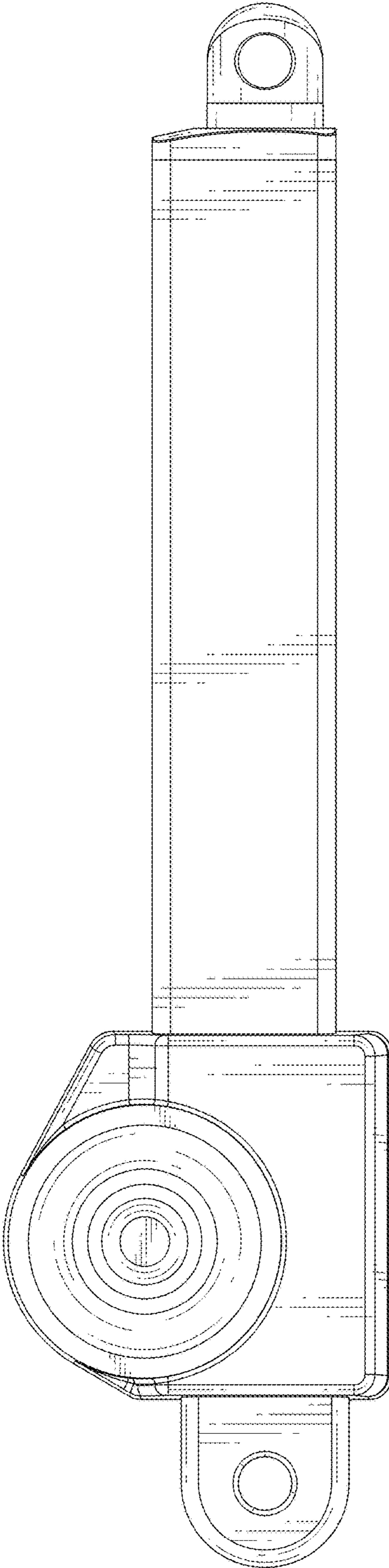


FIG.7

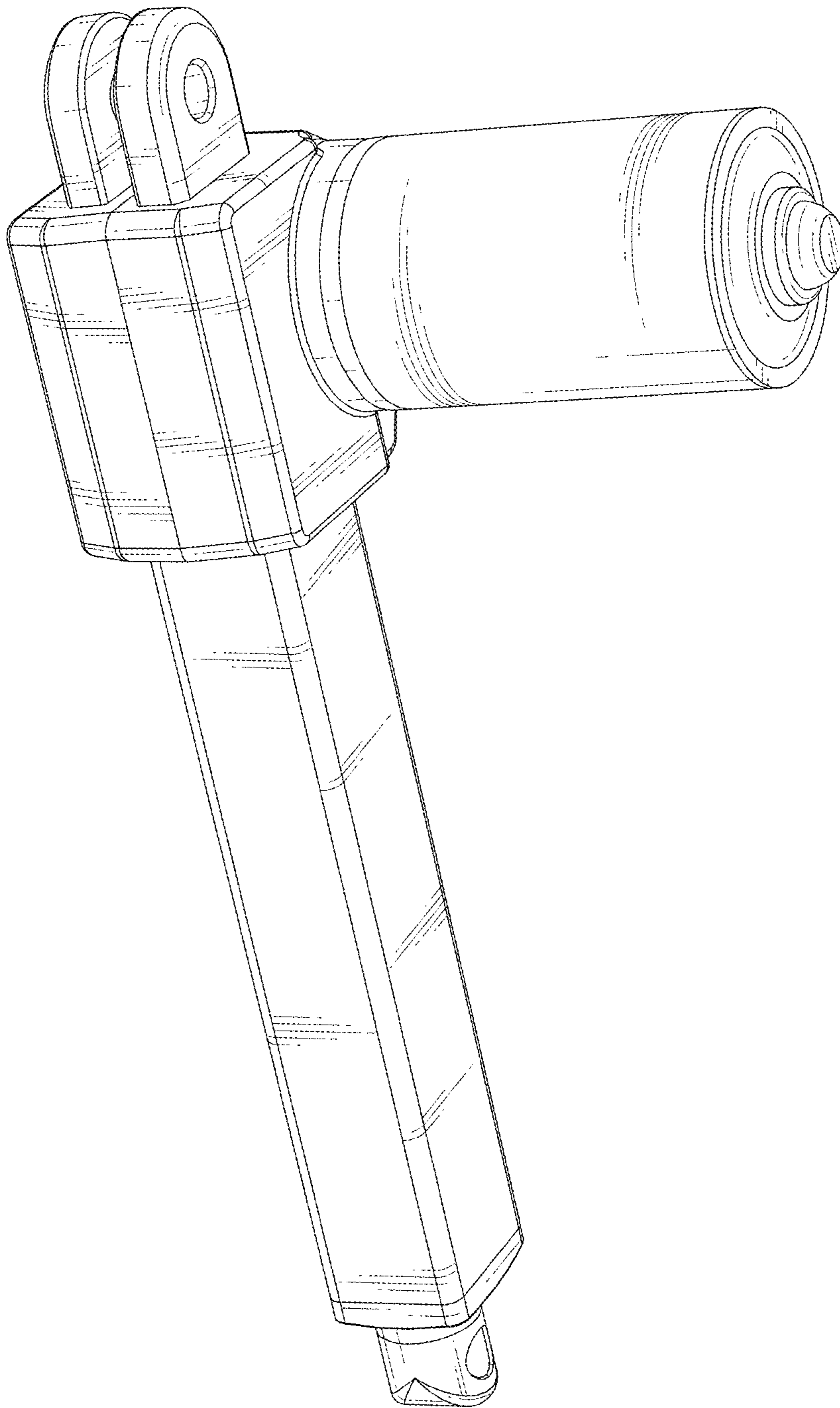


FIG. 8