



US00D792491S

(12) **United States Design Patent** (10) **Patent No.:** **US D792,491 S**
Lin (45) **Date of Patent:** **** Jul. 18, 2017**

(54) **LINEAR ACTUATOR**

(71) Applicant: **TIMOTION TECHNOLOGY CO., LTD.**, New Taipei (TW)

(72) Inventor: **Yu-Chang Lin**, New Taipei (TW)

(73) Assignee: **TIMOTION TECHNOLOGY CO., LTD.**, New Taipei (TW)

(**) Term: **15 Years**

(21) Appl. No.: **29/577,483**

(22) Filed: **Sep. 13, 2016**

(51) **LOC (10) Cl.** **15-09**

(52) **U.S. Cl.**
USPC **D15/143; D15/148**

(58) **Field of Classification Search**
USPC D12/345; D13/118, 158, 162, 184;
D15/1-5, 7, 9, 143, 148, 149, 199
CPC B66F 3/18; F16H 19/04; F16H 57/039;
H01F 7/066

See application file for complete search history.

(56) **References Cited**

U.S. PATENT DOCUMENTS

D137,967 S *	5/1944	Wiener	254/103
D412,918 S *	8/1999	Nagai	D15/149
D523,880 S *	6/2006	Christensen	D15/143
D524,327 S *	7/2006	Weiss	D15/7
D589,543 S *	3/2009	Lin	D15/143
D665,433 S *	8/2012	Beam	D15/143
D695,798 S *	12/2013	Wu	D15/143
D776,729 S *	1/2017	Wu	D15/143
D778,968 S *	2/2017	Luck	D15/143

OTHER PUBLICATIONS

TiMotion TA2 Series Electric Cylinder/compact/small/DC, posted on directindustry.com, no posted date given, no production date given, [online], [site visited May 12, 2017], Available from Internet, <URL: http://www.directindustry.com/prod/timotion-technology-co-ltd/product-126233-1507829.html#product-item_1716532>.*

Feedback Linear Actuator, posted on progressiveautomations.com, no posted date given, no production date given, [online], [site visited 05/12/2017], Available from Internet, <URL: https://www.progressiveautomations.com/linear-actuator-with-potentiometer?gclid=CjwKEAjwutXIBRDV7-SDvdiNsUoSJACIITqlUfOVhXSN_b0FkSqNVK43z0lVUilGyxEzMvA3O7kTrxoCV0Dw_wcB>.*

110-Lb. Capacity Linear Actuator, posted on northerntool.com, earliest review posted Jul. 29, 2014, no production date given, [online], [site visited May 12, 2017], Available from internet, <URL: http://www.northerntool.com/shop/tools/product_200520510_200520510>.*

Feedback Rod Linear Actuators, posted on firgelliauto.com, earliest review posted Apr. 7, 2015, no production date given, [online], [site visited May 12, 2017], Available from Internet, <URL: <https://www.firgelliauto.com/products/feedback-rod-actuator#shopify-product-reviews>>.*

* cited by examiner

Primary Examiner — Melanie H Tung

Assistant Examiner — Fritzgerald Butac

(74) *Attorney, Agent, or Firm* — Chun-Ming Shih; HDLS IPR Services

(57) **CLAIM**

The ornamental design for a linear actuator, as shown and described.

DESCRIPTION

FIG. 1 is a perspective view of a linear actuator showing my new design;

FIG. 2 is a front view thereof;

FIG. 3 is a rear view thereof;

FIG. 4 is a left side view thereof;

FIG. 5 is a right side view thereof;

FIG. 6 is a top view thereof;

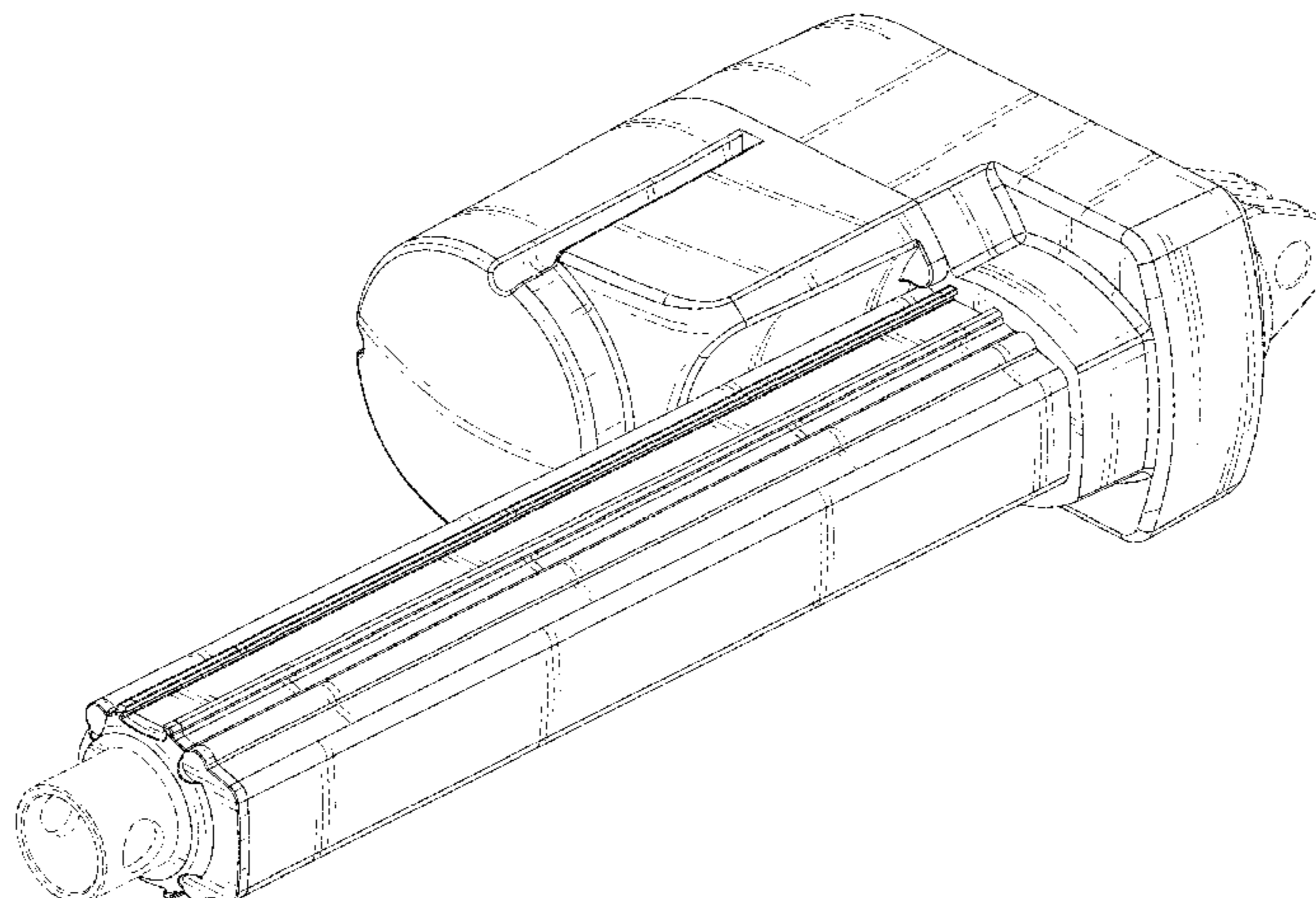
FIG. 7 is a bottom view thereof;

FIG. 8 is second perspective view thereof; and,

FIG. 9 is a perspective view showing the linear actuator in use.

The broken lines showing portions of a linear actuator form no part of the claimed design.

1 Claim, 9 Drawing Sheets



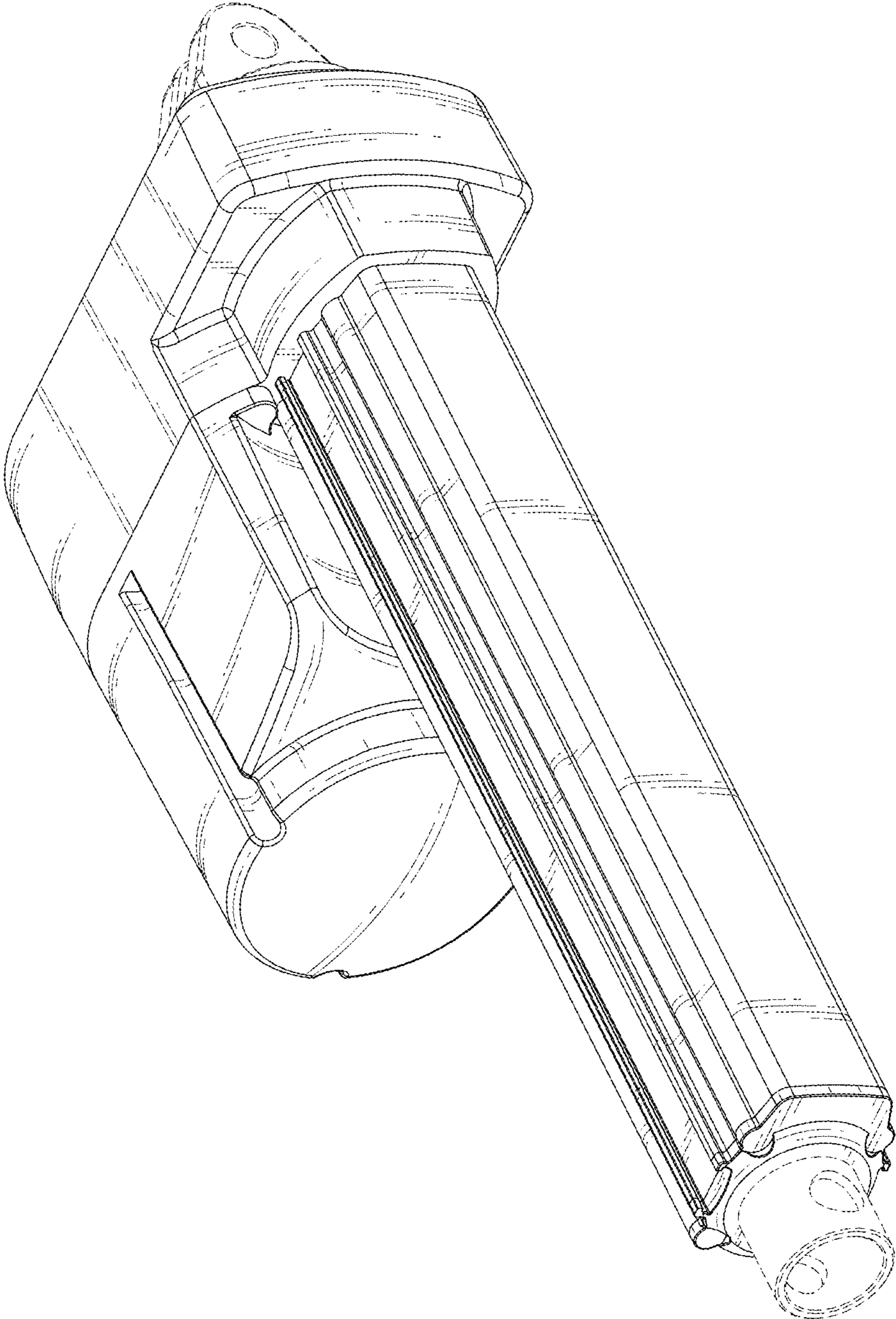


FIG.1

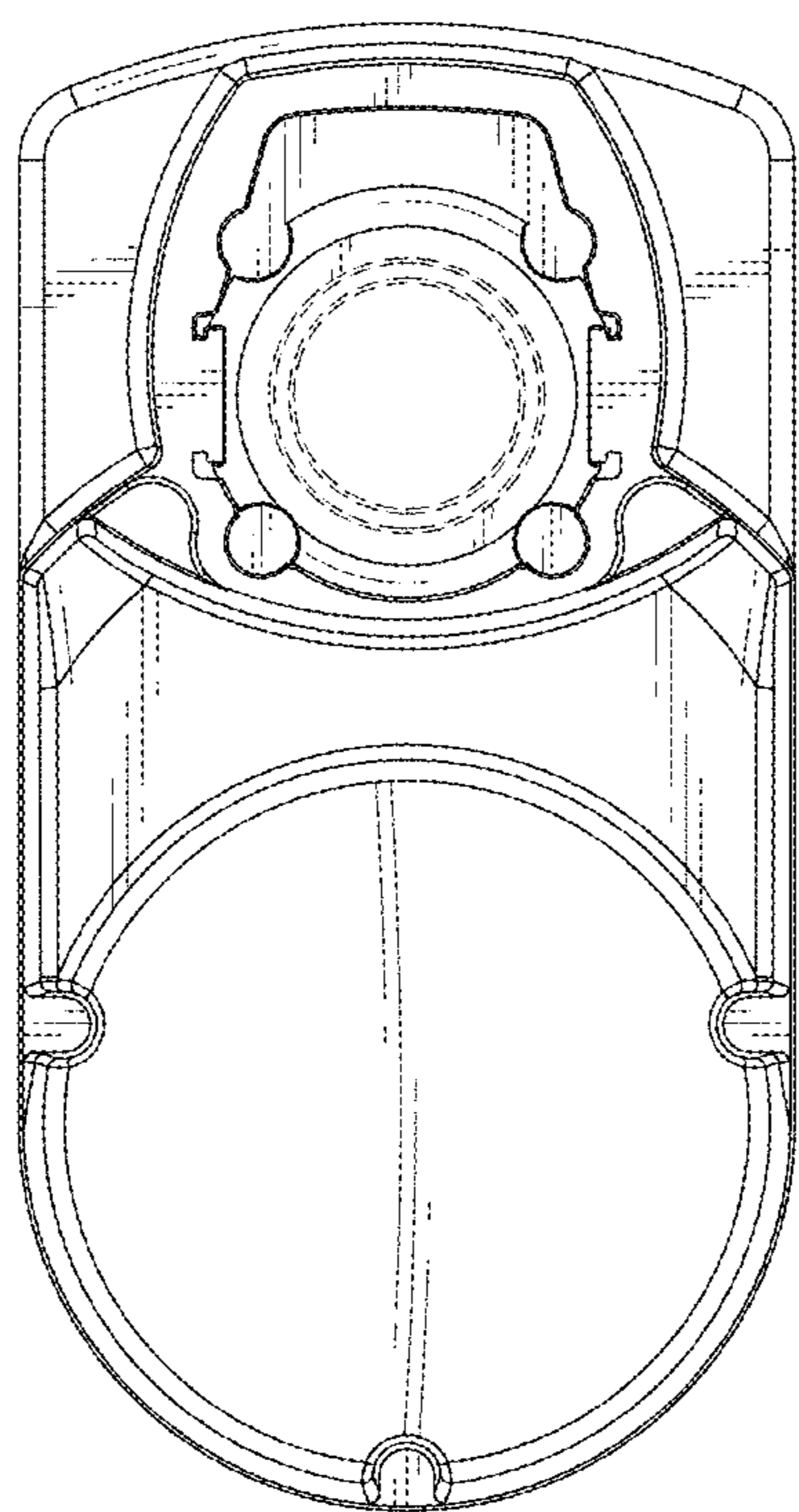


FIG.2

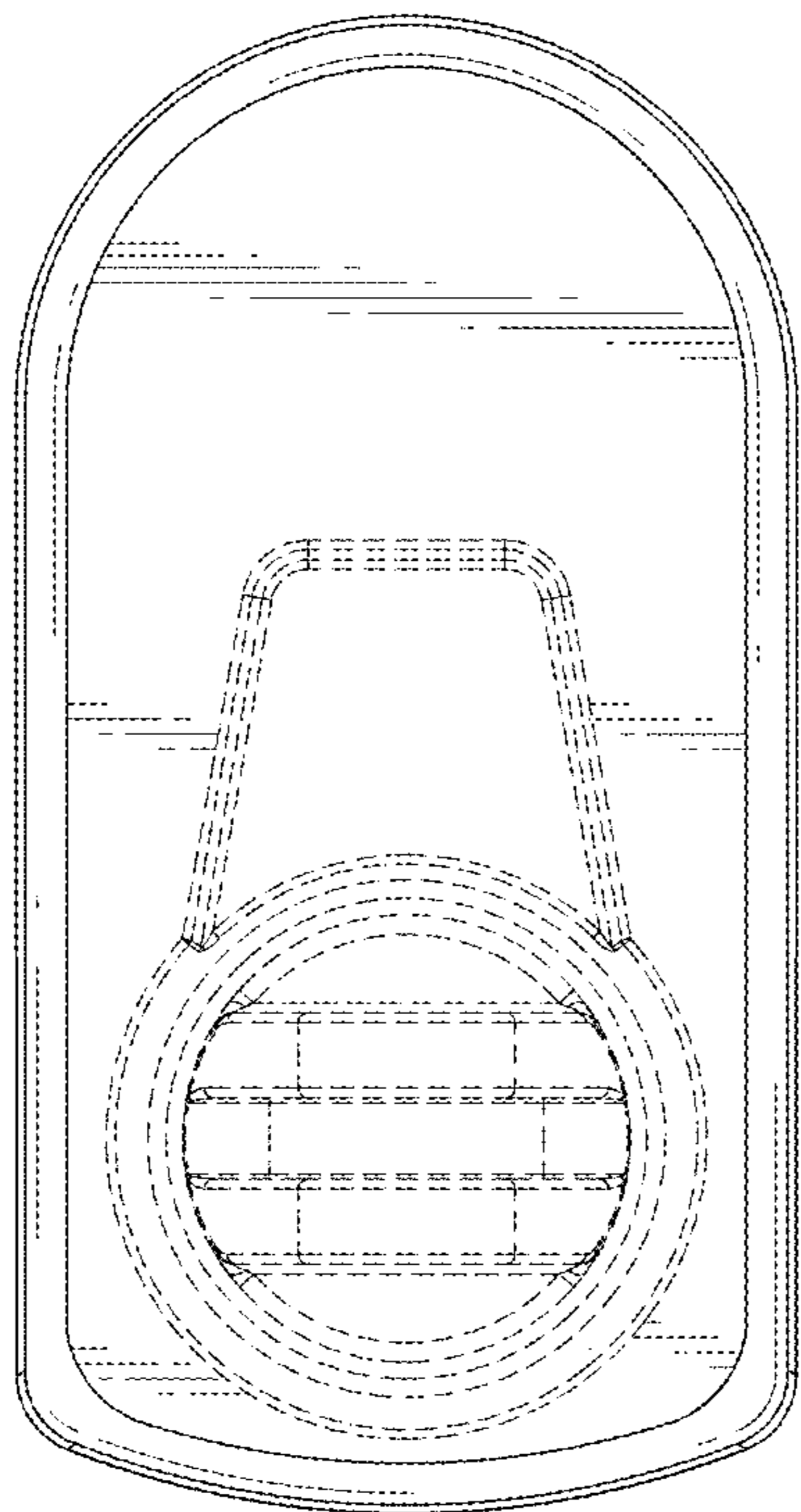


FIG.3

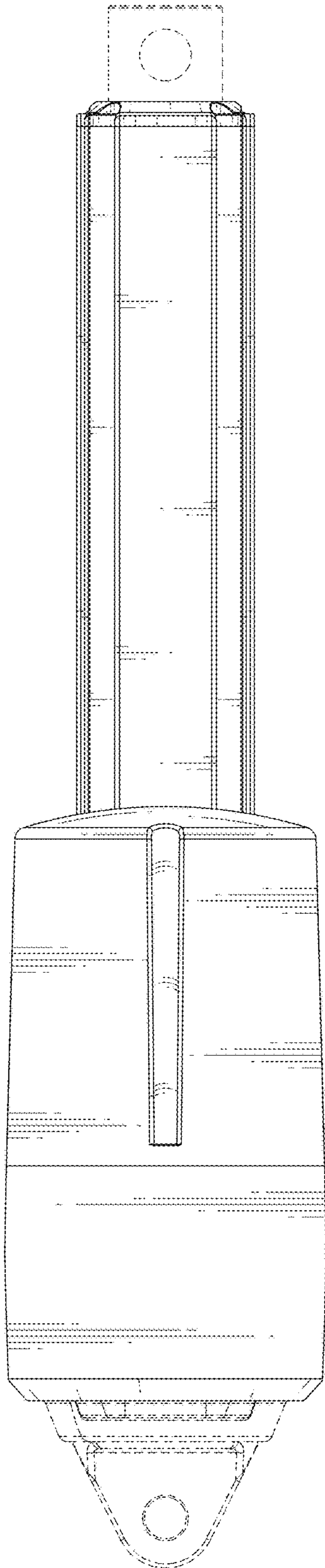


FIG.4

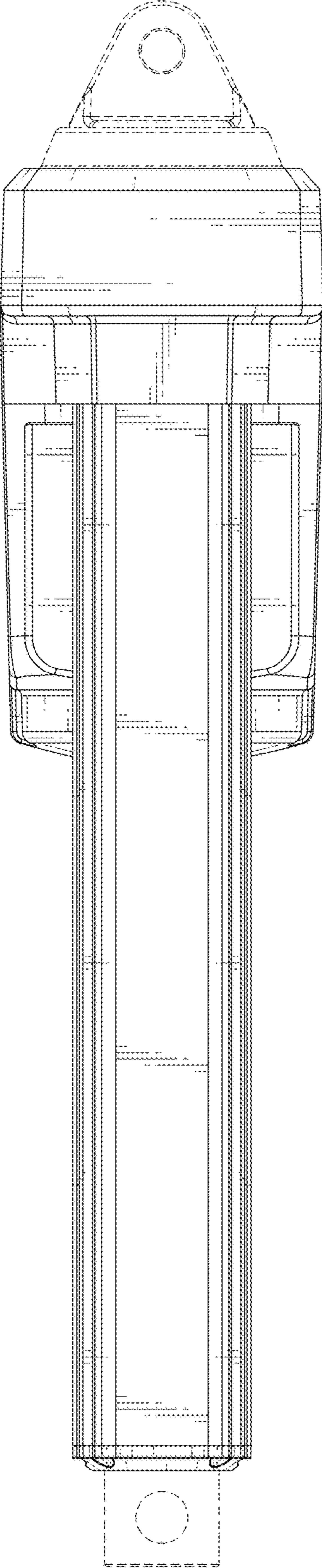


FIG.5

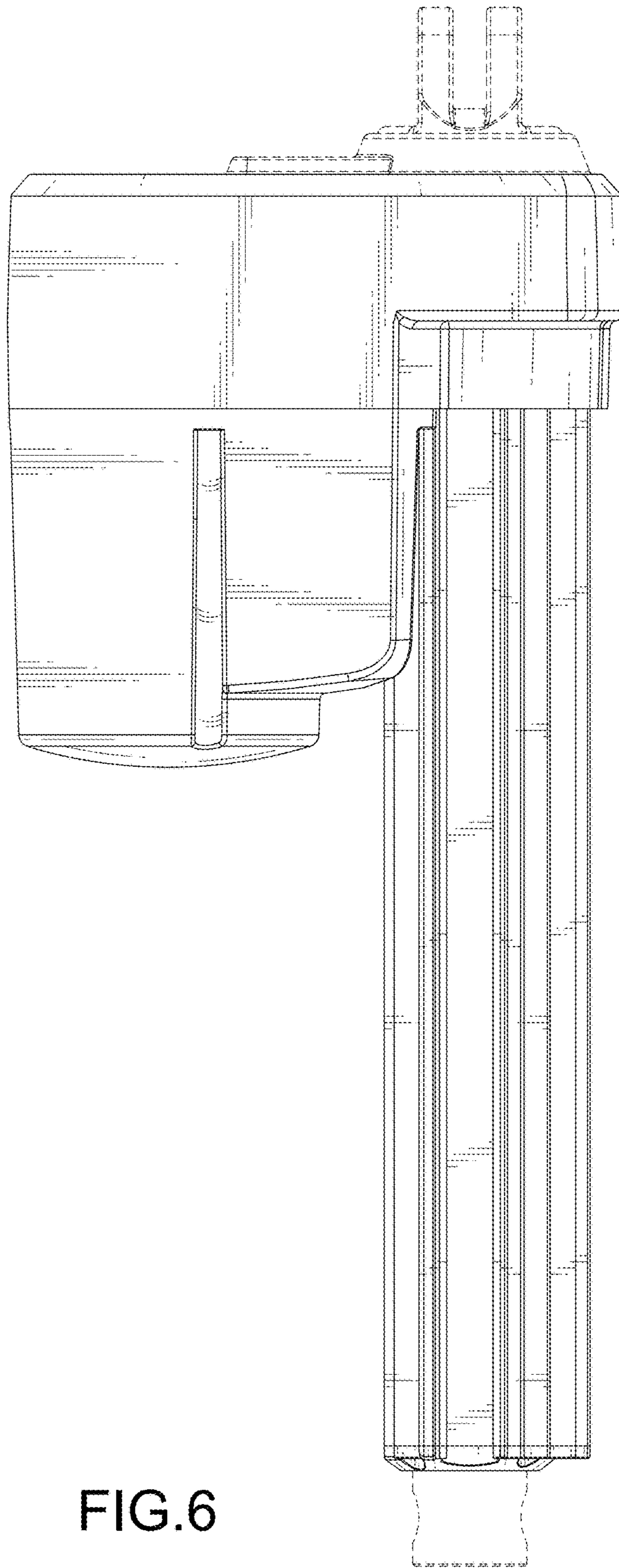


FIG. 6

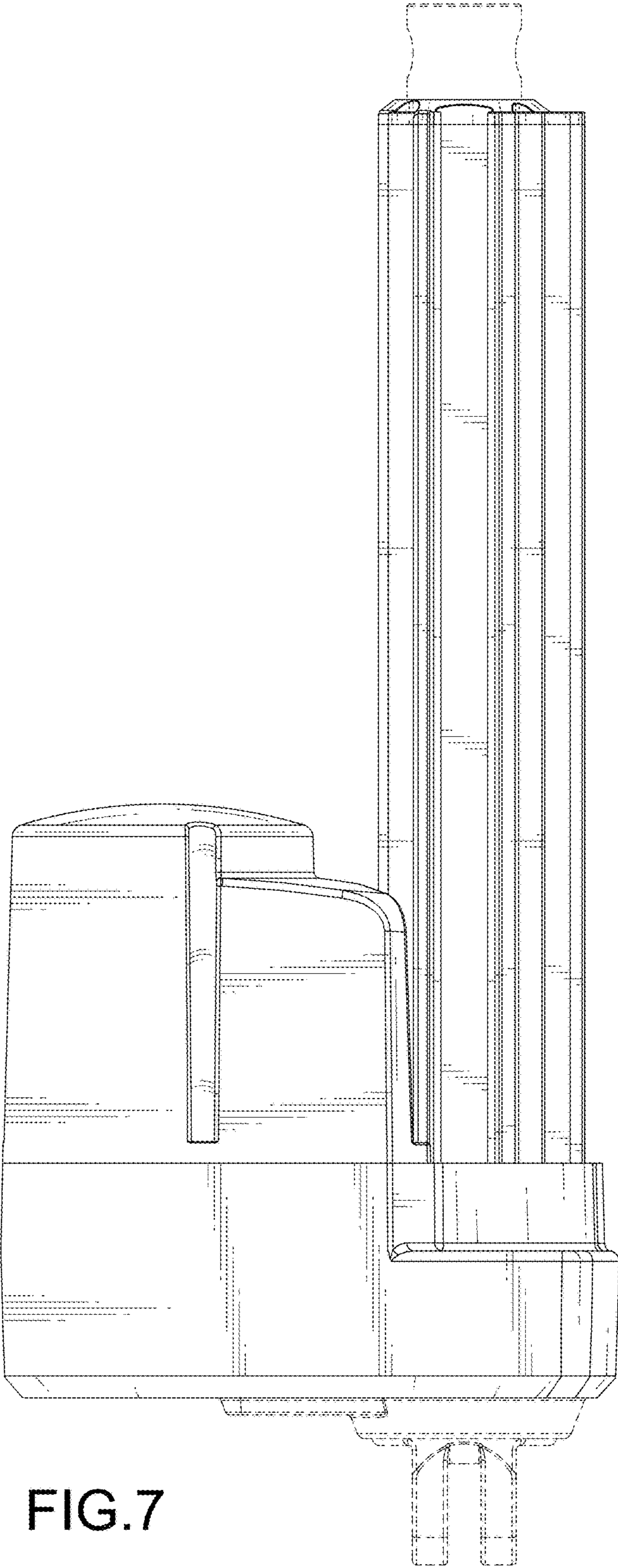


FIG. 7

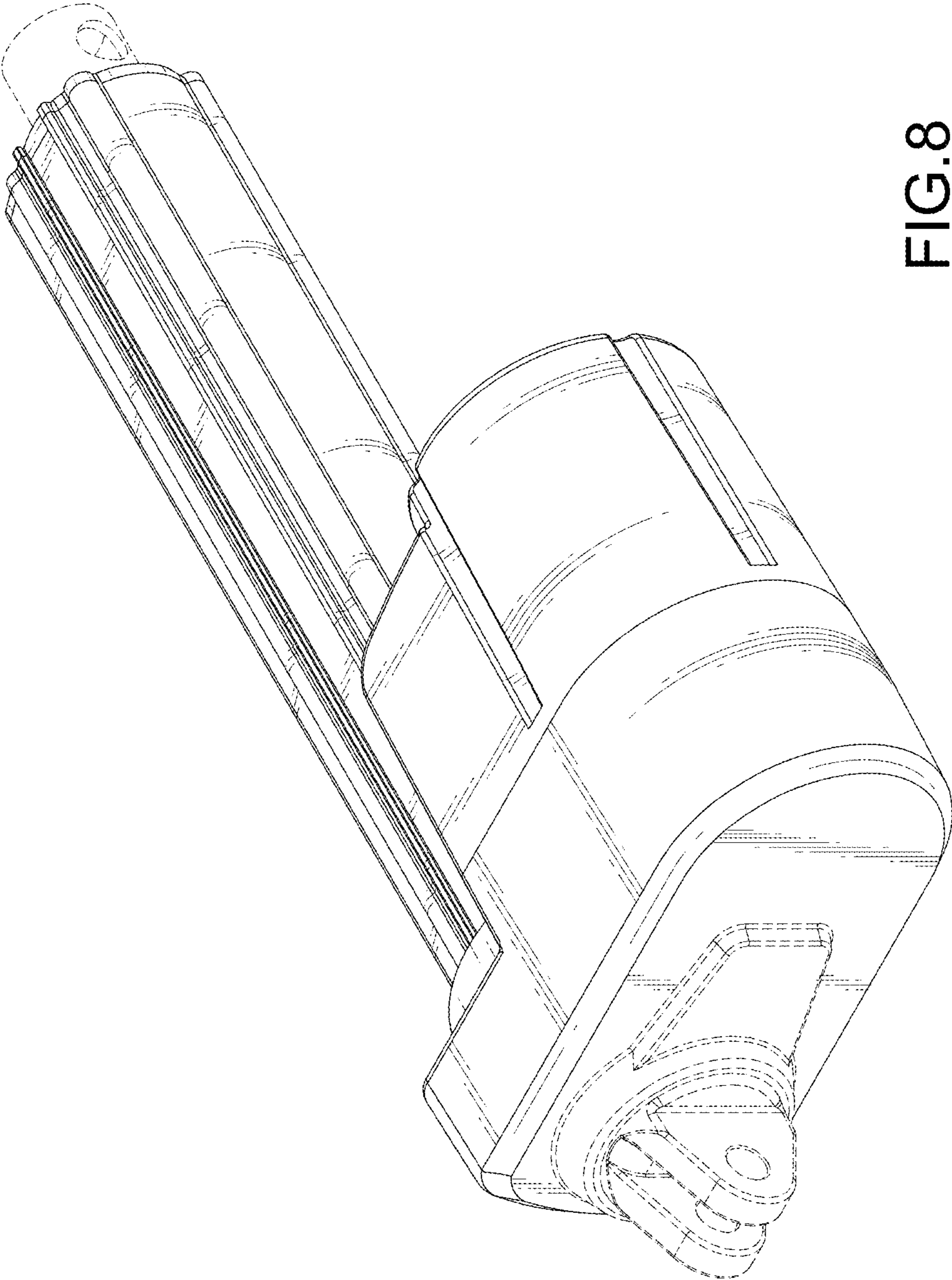


FIG. 8

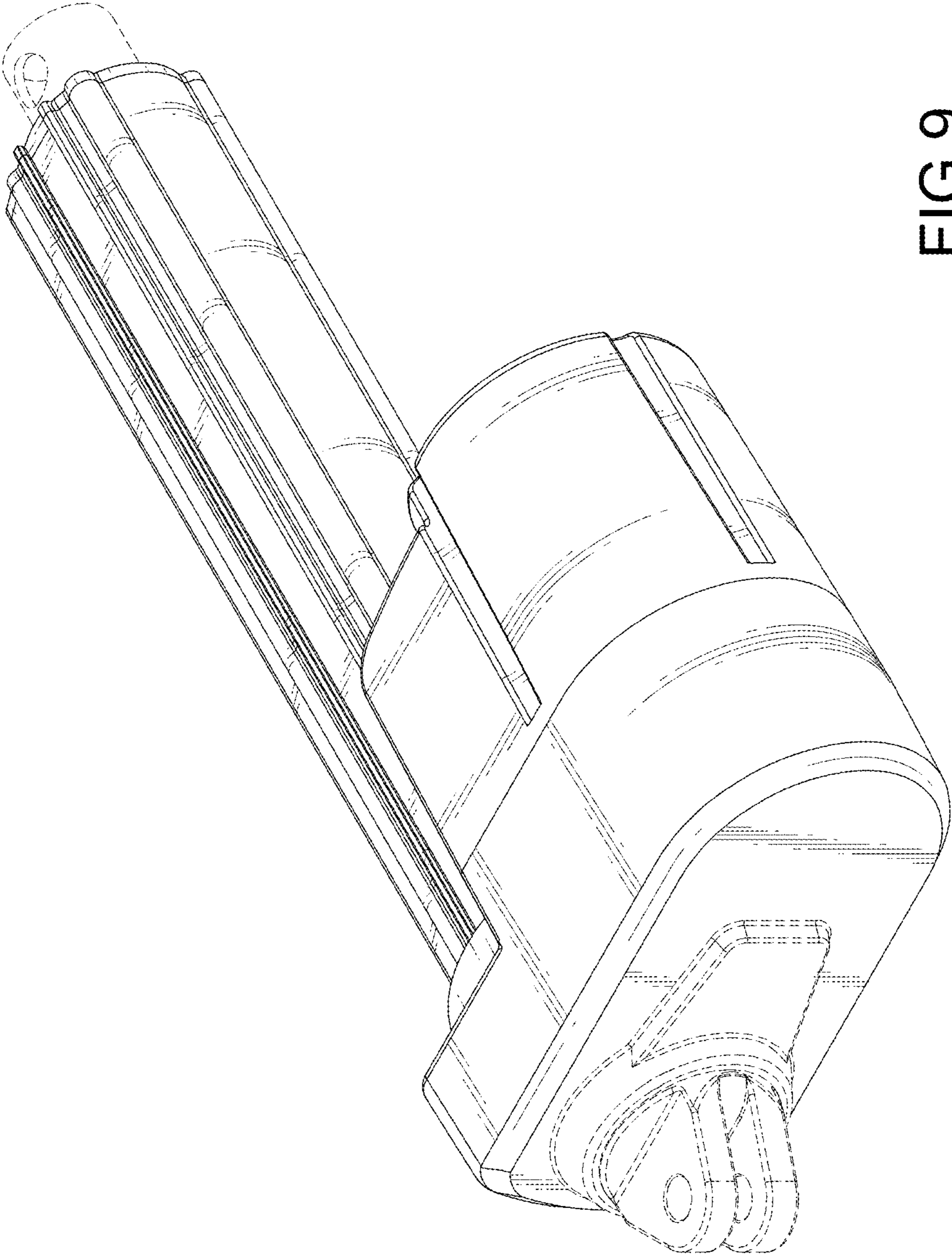


FIG. 9