



US00D792487S

(12) **United States Design Patent** (10) **Patent No.:** **US D792,487 S**  
**Cruz** (45) **Date of Patent:** **\*\* \*Jul. 18, 2017**

(54) **PRINTING APPARATUS**

(71) Applicant: **Josue Cruz**, Germantown, MD (US)

(72) Inventor: **Josue Cruz**, Germantown, MD (US)

(73) Assignee: **Xmachines, LLC**, Germantown, MD (US)

(\*) Notice: This patent is subject to a terminal disclaimer.

(\*\*) Term: **15 Years**

(21) Appl. No.: **29/528,697**

(22) Filed: **May 29, 2015**

(51) **LOC (10) Cl.** ..... **15-09**

(52) **U.S. Cl.**  
USPC ..... **D15/122**

(58) **Field of Classification Search**  
USPC ..... D14/420-425; D18/14, 19, 36-39, 50, D18/53, 54, 54.1, 55; D15/122, 135  
CPC ..... B33Y 10/00; B33Y 30/00; B33Y 80/00; B33Y 50/02; B33Y 50/00; B33Y 70/00; B33Y 40/00; B29C 67/0055; B29C 67/0088; B29C 67/0059; B29C 67/0085; B29C 67/0092; B29C 67/0051; B29C 67/0077; B29C 67/0081; B29C 2947/92571; B29C 47/0004; B29C 47/0014; B29C 47/0813; B29C 47/92; B29C 67/007; B29C 2043/182; B29C 2043/189; B29C 2793/0081; B29C 2793/009; B29C 2947/9258; B29C 2947/92704; B29C 2947/92904; B29C 35/0805; B29C 43/18; B29C 44/1271; B29C 45/14819; B29C 47/0002; B29C 47/0066; B29C 47/026; B29C 47/0801;

B29C 47/0811; B29C 47/1045; B29C 47/48; B29C 47/522; B29C 47/786; B29C 47/86; B29C 47/862; B29C 67/0066; B29C 67/0074

See application file for complete search history.

(56) **References Cited**

U.S. PATENT DOCUMENTS

6,042,757 A *	3/2000	Abe	.....	B29C 45/0013
				264/28
D737,870 S *	9/2015	Houston	.....	D15/122
D758,462 S *	6/2016	Bell	.....	D15/122
D765,745 S *	9/2016	Cheung	.....	D15/122
D768,215 S *	10/2016	Funakoshi	.....	D15/135
D768,741 S *	10/2016	Funakoshi	.....	D15/135
D776,176 S *	1/2017	Galomb	.....	D15/135

\* cited by examiner

*Primary Examiner* — Ian Simmons

*Assistant Examiner* — Khawaja Anwar

(74) *Attorney, Agent, or Firm* — Sheets Law Office LLC; Kendal M. Sheets

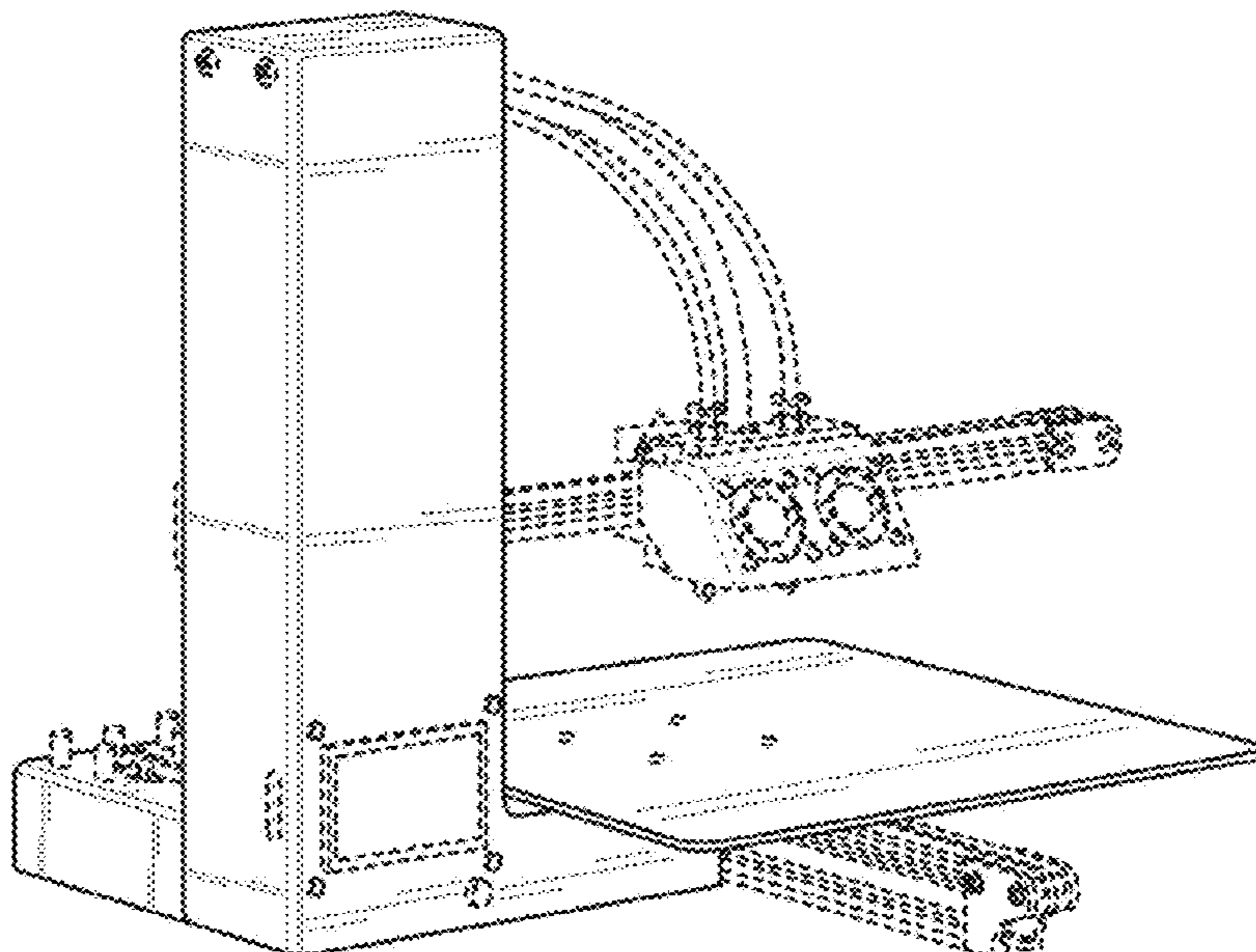
(57) **CLAIM**

The ornamental design for a printing apparatus, as shown and described.

**DESCRIPTION**

FIG. 1 is front perspective view of a printing apparatus showing my new design; FIG. 2 is a left side perspective view thereof; FIG. 3 is a top front perspective thereof; and, FIG. 4 is a top perspective view thereof. The broken lines shown in the drawings represent unclaimed environment and form not part of the claimed design.

**1 Claim, 4 Drawing Sheets**



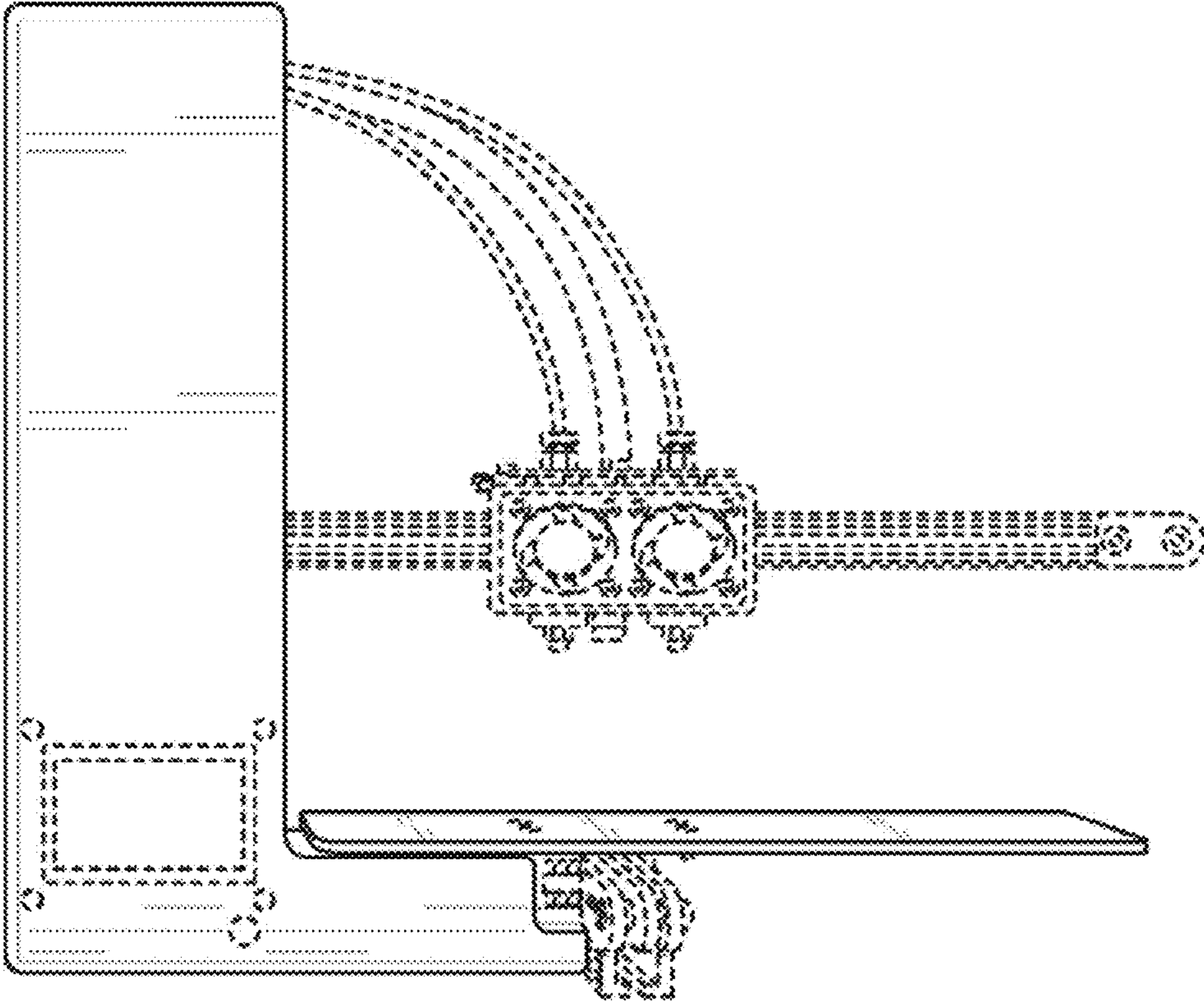


FIG. 1

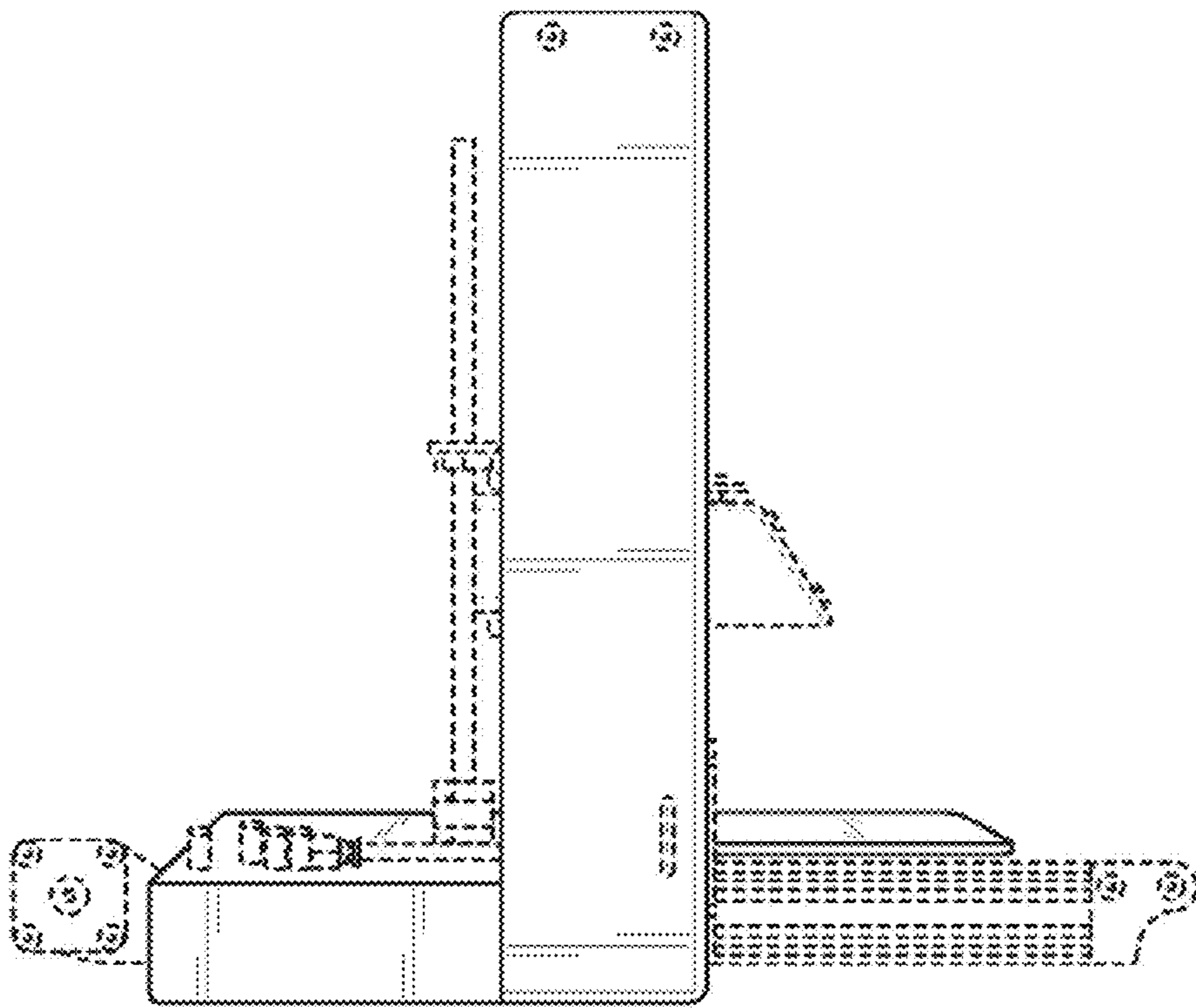


FIG. 2

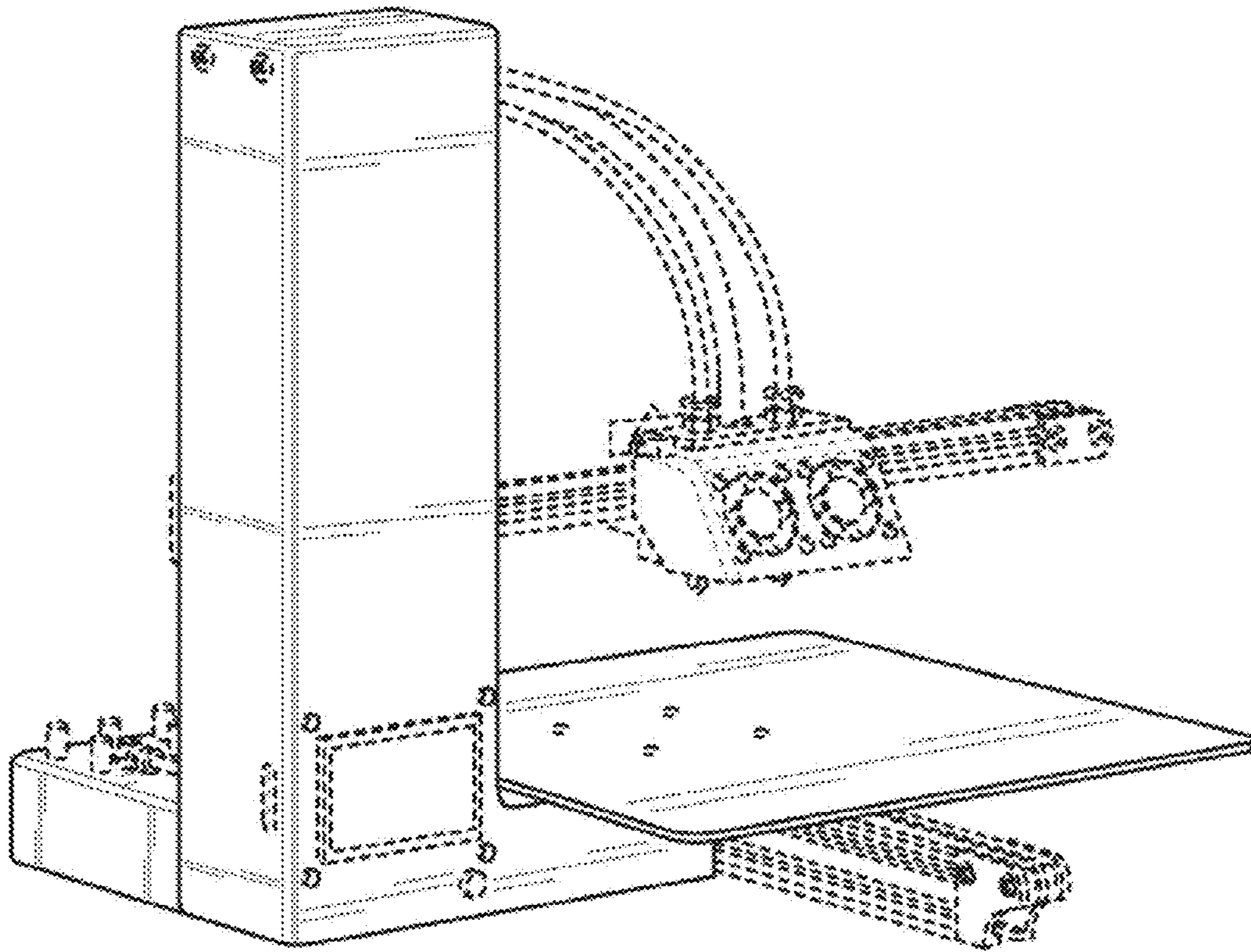


FIG. 3

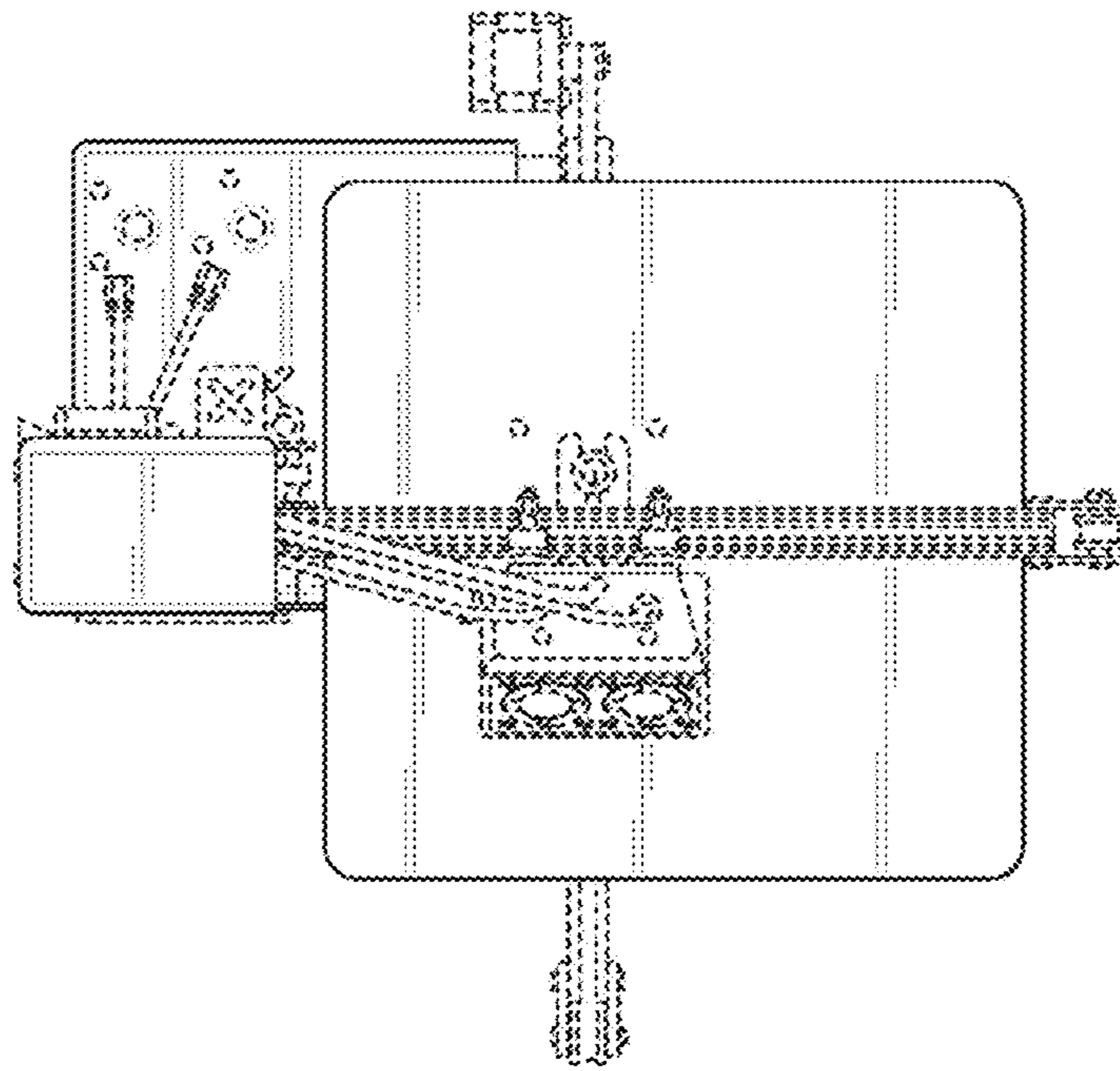


FIG. 4